



US00D874432S

(12) **United States Design Patent**
Savage et al.

(10) **Patent No.:** **US D874,432 S**

(45) **Date of Patent:** **** Feb. 4, 2020**

- (54) **AUDIO SUBWOOFER**
- (71) Applicant: **Polk Audio, LLC**, Vista, CA (US)
- (72) Inventors: **Jeremy Savage**, Oceanside, CA (US);
Michael DiTullo, Encinitas, CA (US);
Lauren Sweer, York, PA (US)
- (73) Assignee: **SOUND UNITED, LLC**, Vista, CA (US)
- (**) Term: **15 Years**
- (21) Appl. No.: **29/600,805**
- (22) Filed: **Apr. 15, 2017**
- (51) **LOC (12) Cl.** **14-01**
- (52) **U.S. Cl.**
USPC **D14/214**
- (58) **Field of Classification Search**
USPC D14/167, 168, 170–172, 188, 194–198,
D14/204, 207, 209.1, 210–216, 219, 221,
D14/222, 224, 496; 181/143, 144, 147,
181/148, 150, 153, 157, 198, 199;
369/6–12; 381/300–303, 306, 332–334,
381/336, 345, 361–364, 386–388
CPC B60R 11/0217; G06F 1/1688; G10K 9/22;
G10K 11/004; H03F 1/327; H04M 1/03;
H04M 1/035; H04N 5/642; H04N
21/4852; H04S 3/00; H04S 7/30; H04R
1/02; H04R 1/06; H04R 1/021; H04R
1/025; H04R 1/026; H04R 1/028; H04R
1/105; H04R 1/323; H04R 1/403; H04R
1/2803; H04R 1/2834; H04R 5/02; H04R
7/20; H04R 9/06; H04R 9/025; H04R
2201/021; H04R 2400/00; H04R 2400/07;
H04R 2499/11; H04R 2499/13; H04R
2499/15
See application file for complete search history.

- 5,937,074 A * 8/1999 Carver H03F 1/0227
181/148
- D414,771 S * 10/1999 Hoyt D14/214
- D460,437 S * 7/2002 Lancaster D14/214
- D538,264 S * 3/2007 Peersman D14/209.1
- D570,828 S * 6/2008 Cho D14/215
- D571,356 S * 6/2008 Smith D14/168
- D573,585 S * 7/2008 Belanger D14/215

(Continued)

FOREIGN PATENT DOCUMENTS

- CN 206226688 * 6/2017 H04R 1/20

OTHER PUBLICATIONS

HTS Subwoofers, PolkAudio.com, [online], [site visited Apr. 27, 2019]. URL: <https://www.polkaudio.com/collections/home-audio/hts-subwoofers> (Year: 2019).*

(Continued)

Primary Examiner — T Chase Nelson
Assistant Examiner — Jonathan J. Han
(74) *Attorney, Agent, or Firm* — Anatoly S. Weiser, Esq.;
IPLCounsel

(57) **CLAIM**

The ornamental design for an audio subwoofer, as shown and described.

DESCRIPTION

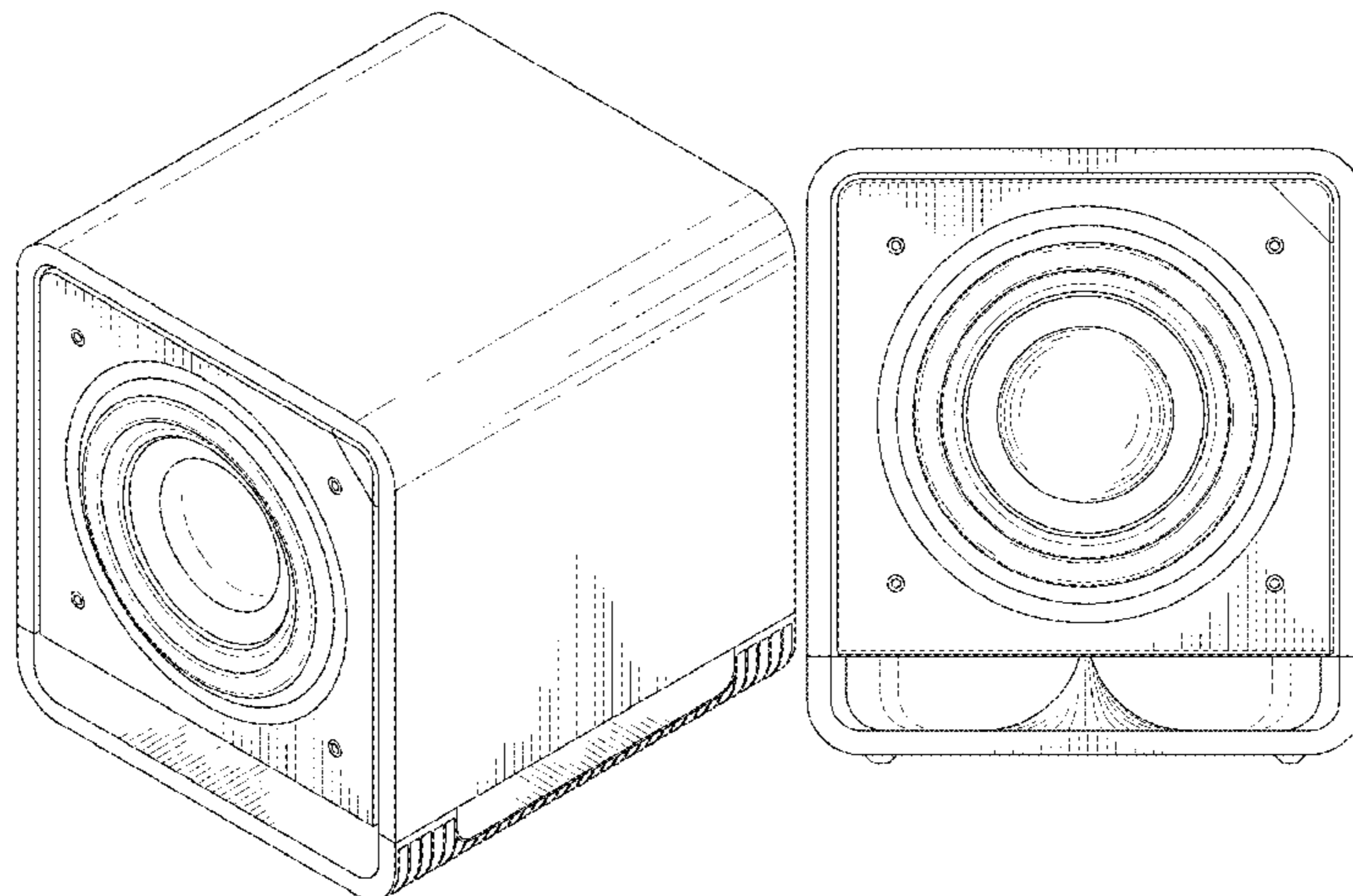
FIG. 1 is a front perspective view of the audio subwoofer showing the new design;
FIG. 2 is a front view thereof;
FIG. 3 is a back view thereof;
FIG. 4 is a left side view thereof;
FIG. 5 is a right side view thereof;
FIG. 6 is a top view thereof; and,
FIG. 7 is a bottom view thereof.

1 Claim, 4 Drawing Sheets

(56) **References Cited**

U.S. PATENT DOCUMENTS

- D182,794 S * 5/1958 Eames D14/214
- D278,811 S * 5/1985 White D14/211



(56)

References Cited

U.S. PATENT DOCUMENTS

D617,775 S * 6/2010 Chae D14/215
 D623,168 S * 9/2010 Chen D14/214
 D633,083 S * 2/2011 Tellier D14/215
 D664,122 S * 7/2012 Cho D14/215
 D680,097 S * 4/2013 Davies D14/204
 D691,115 S * 10/2013 Silvera D14/212
 D716,264 S * 10/2014 Park D14/215
 D718,736 S * 12/2014 Thompson D14/168
 D725,075 S * 3/2015 Wong D14/215
 D727,295 S * 4/2015 Gan D14/214
 D729,201 S * 5/2015 Park D14/214
 9,071,906 B2 * 6/2015 Hogue H04R 3/12
 D750,046 S * 2/2016 Wong D14/215
 D758,345 S * 6/2016 Fujioka D14/214
 D761,230 S * 7/2016 Si D14/214
 D763,825 S * 8/2016 Zamir D14/215
 D772,221 S * 11/2016 Kacin D14/308
 D772,222 S * 11/2016 Kacin D14/308
 D777,704 S * 1/2017 Helwig D14/215
 D781,813 S * 3/2017 Pignotti D14/204
 D785,068 S * 4/2017 Patsis D16/200

D789,907 S * 6/2017 Summerson D14/204
 D808,388 S * 1/2018 Kacin D14/356
 D810,077 S * 2/2018 Kacin D14/356
 D826,206 S * 8/2018 Elmieh D14/204
 D842,265 S * 3/2019 Becker D14/204

OTHER PUBLICATIONS

Polk Audio HTS 10 Powered Subwoofer with Power Port Technology, Amazon.com, Date first listed on Amazon: Sep. 28, 2017, [online], [site visited Apr. 27, 2019]. URL: <https://www.amazon.com/Polk-Audio-HTS-SUB-BLK/dp/B075M34866> (Year: 2017).*

JBL Stage A100P, SBL.com, [online], [site visited Apr. 27, 2019]. URL: https://www.jbl.com/subwoofers/STAGE+A100P.html?cgid=subwoofers&dwvar_STAGE%20A100P_color=Black-USA-Current#start=1 (Year: 2019).*

SVS SB-3000 Subwoofer Review, SoundAndVision.com, David Vaughn, Apr. 24, 2019, [online], [site visited Apr. 27, 2019]. URL: <https://www.soundandvision.com/content/sys-sb-3000-subwoofer-review> (Year: 2019).*

* cited by examiner

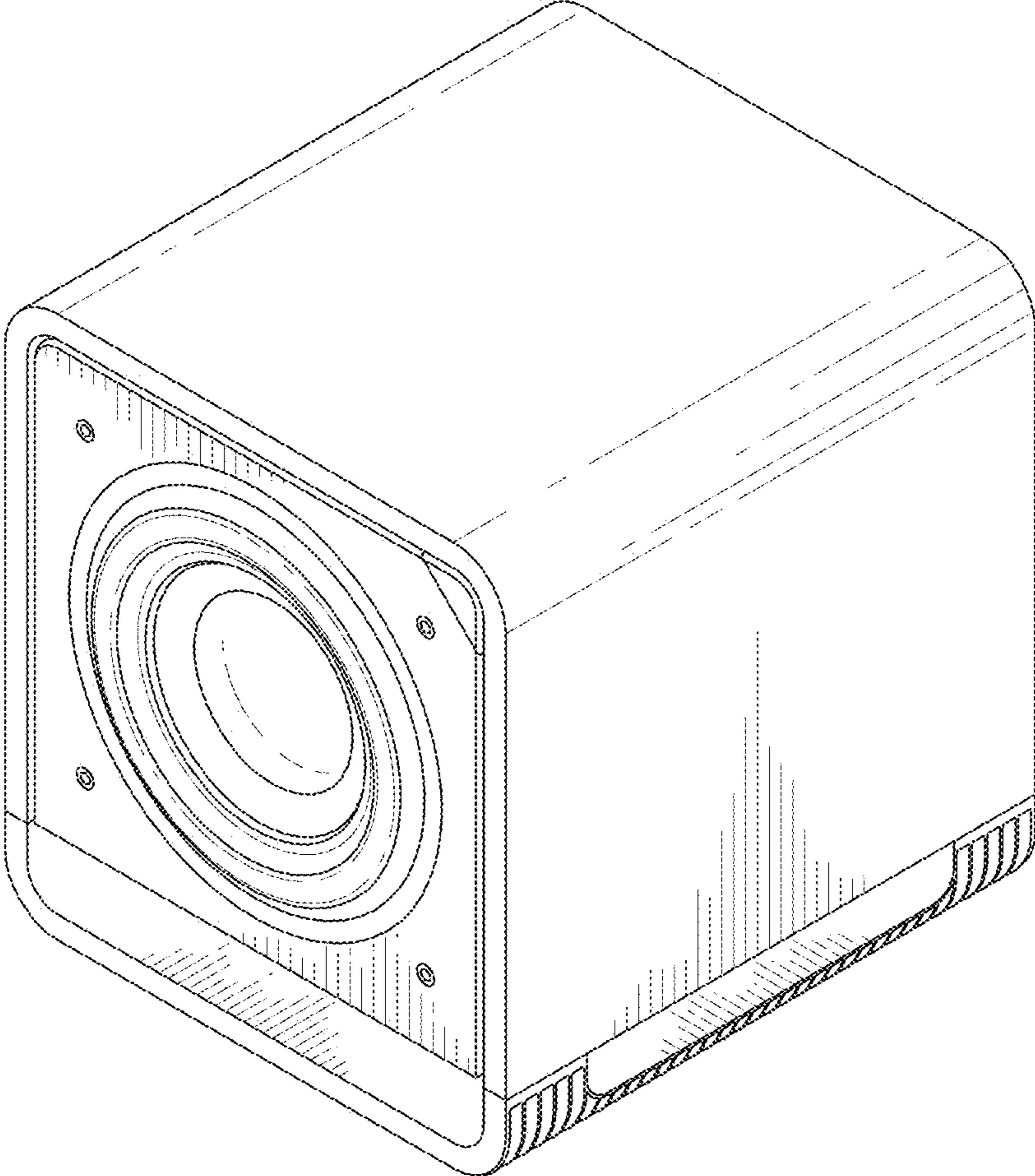


FIG. 1

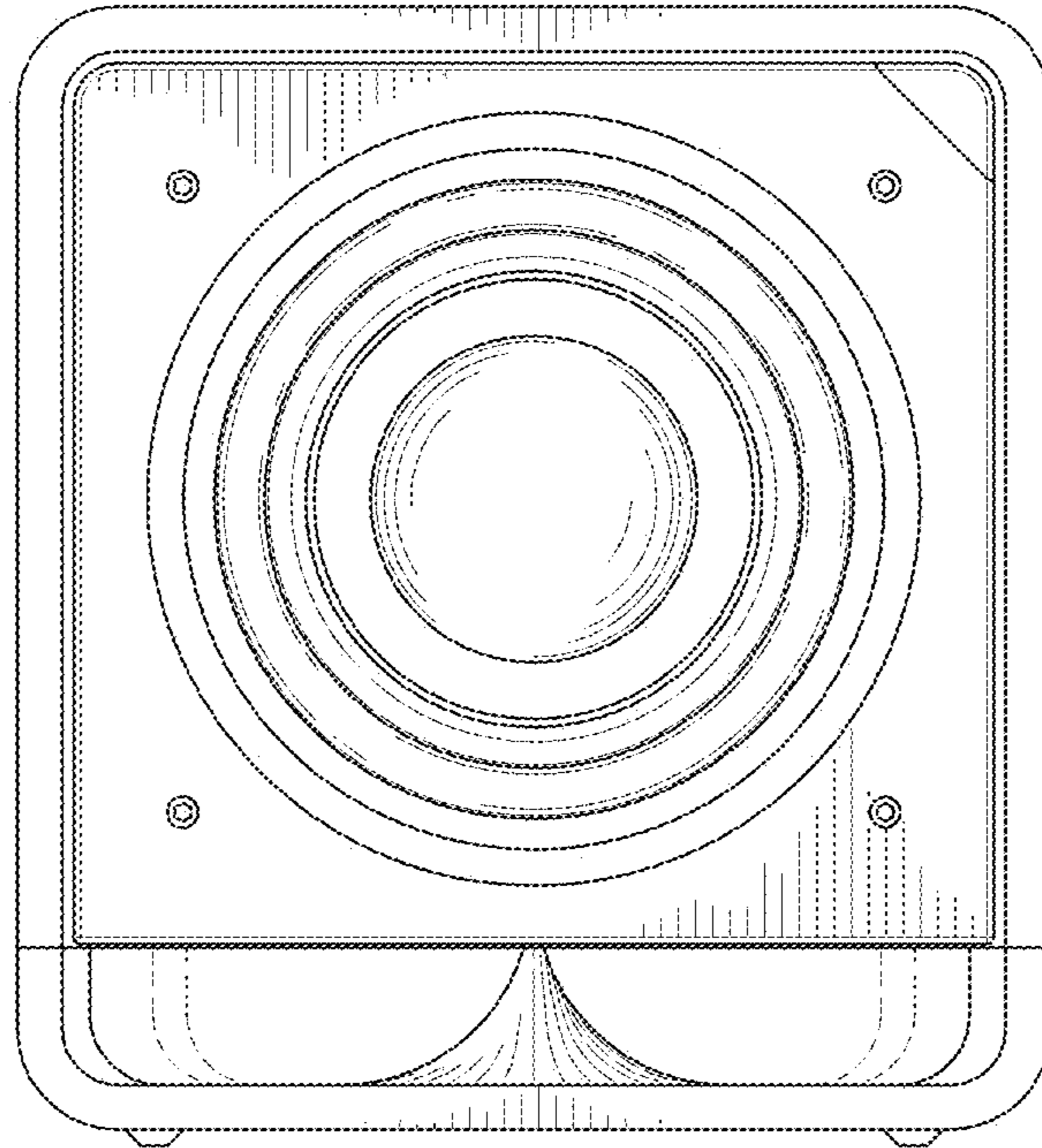


FIG. 2

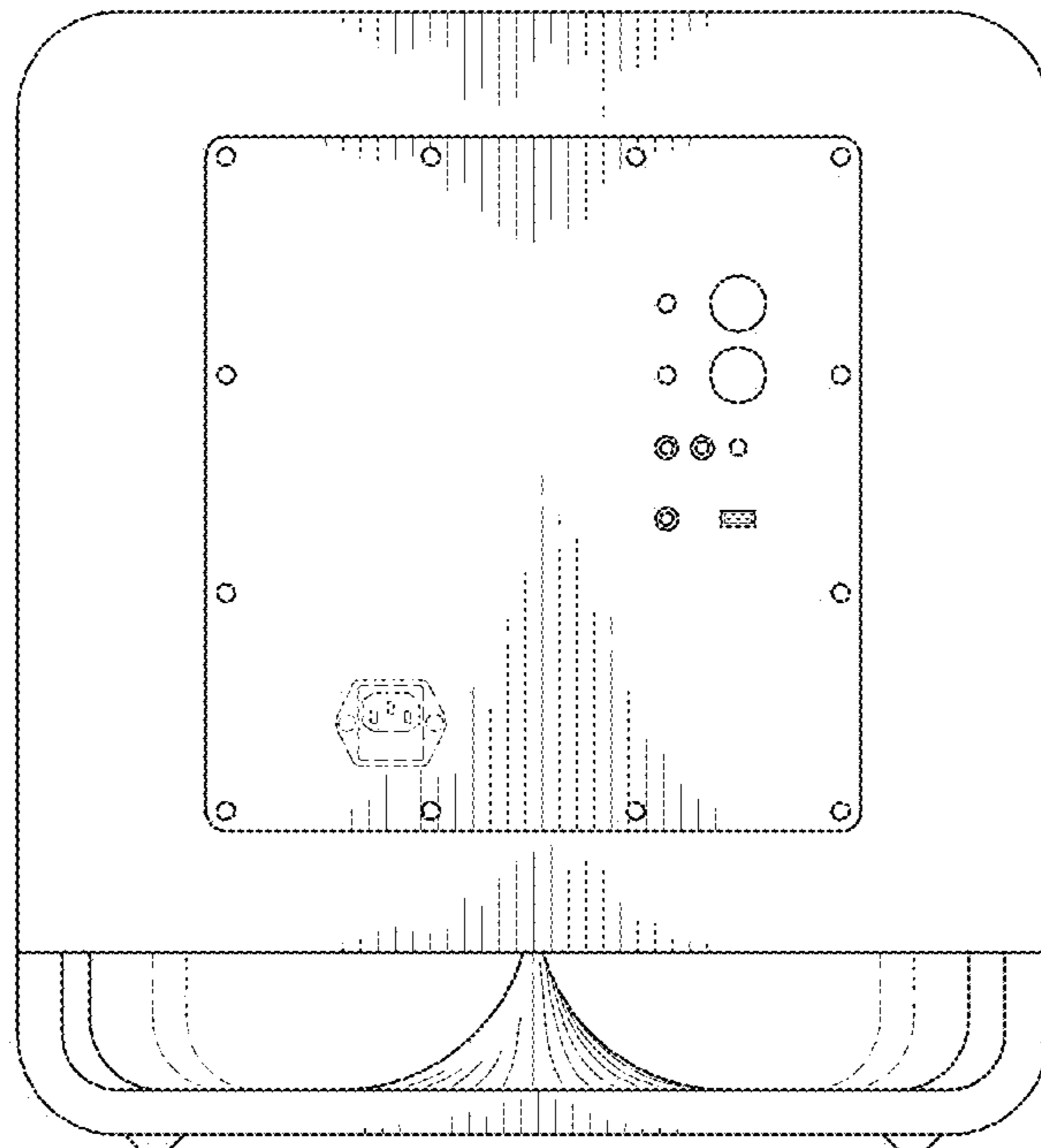


FIG. 3

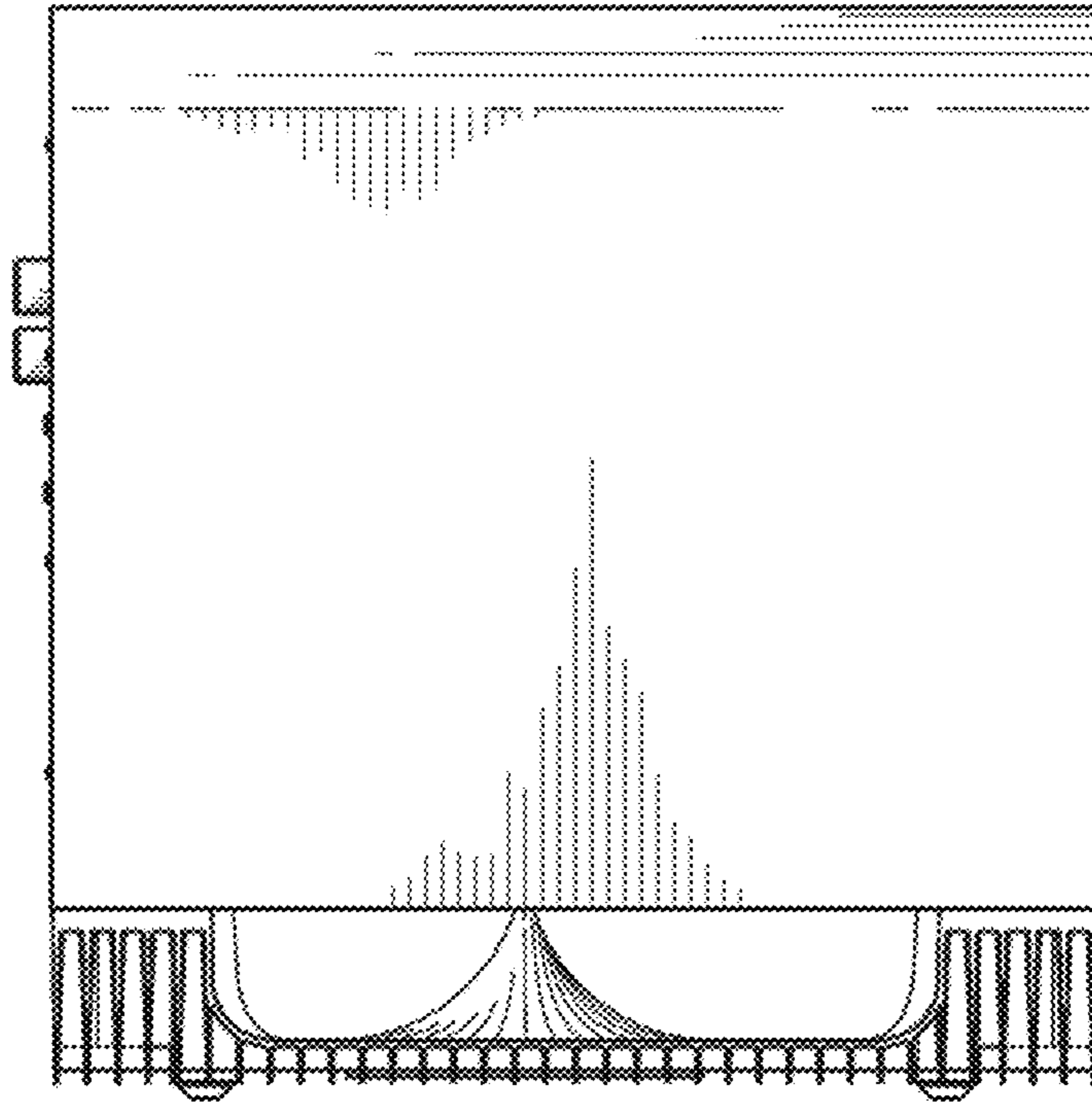


FIG. 4

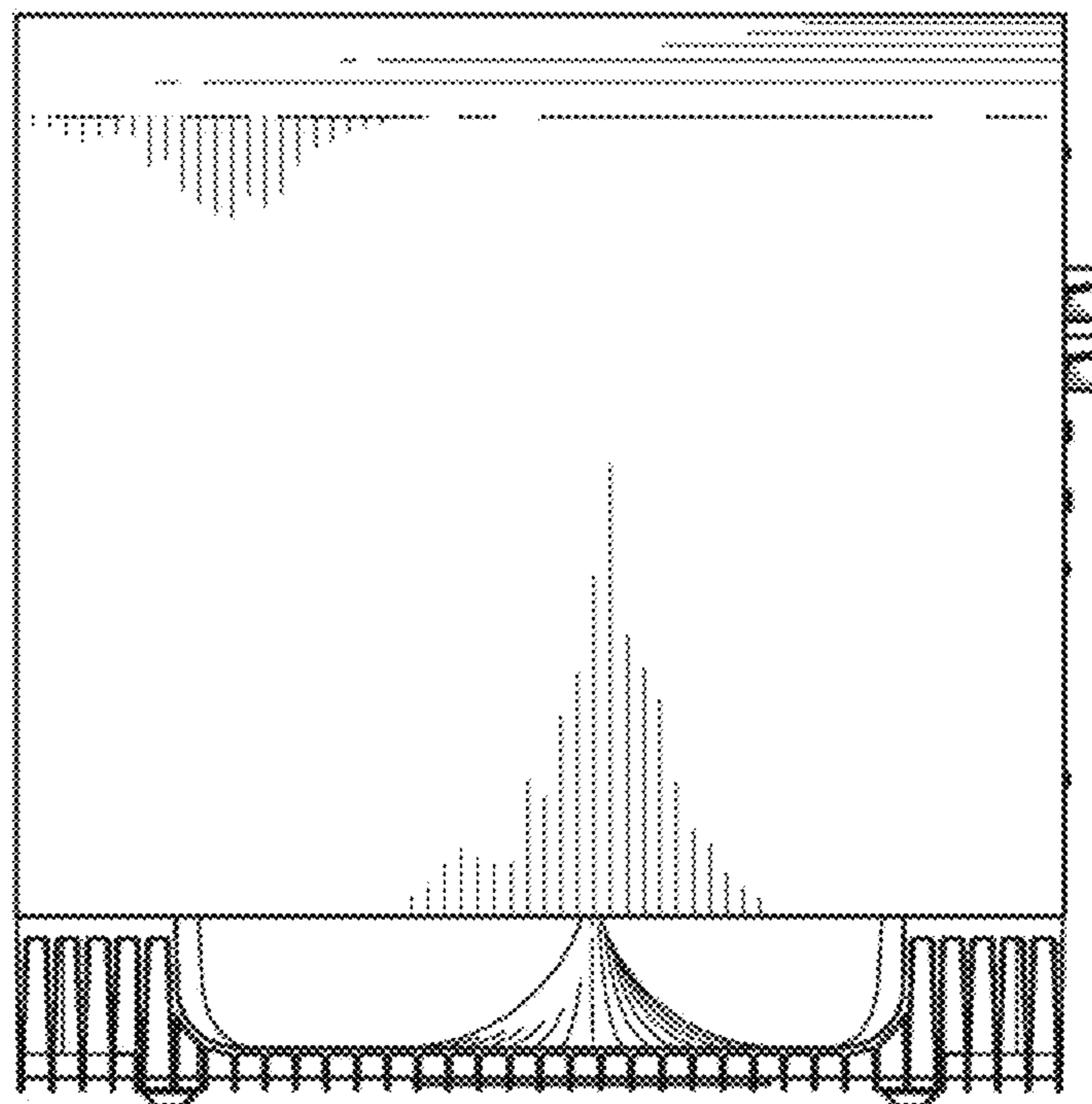


FIG. 5

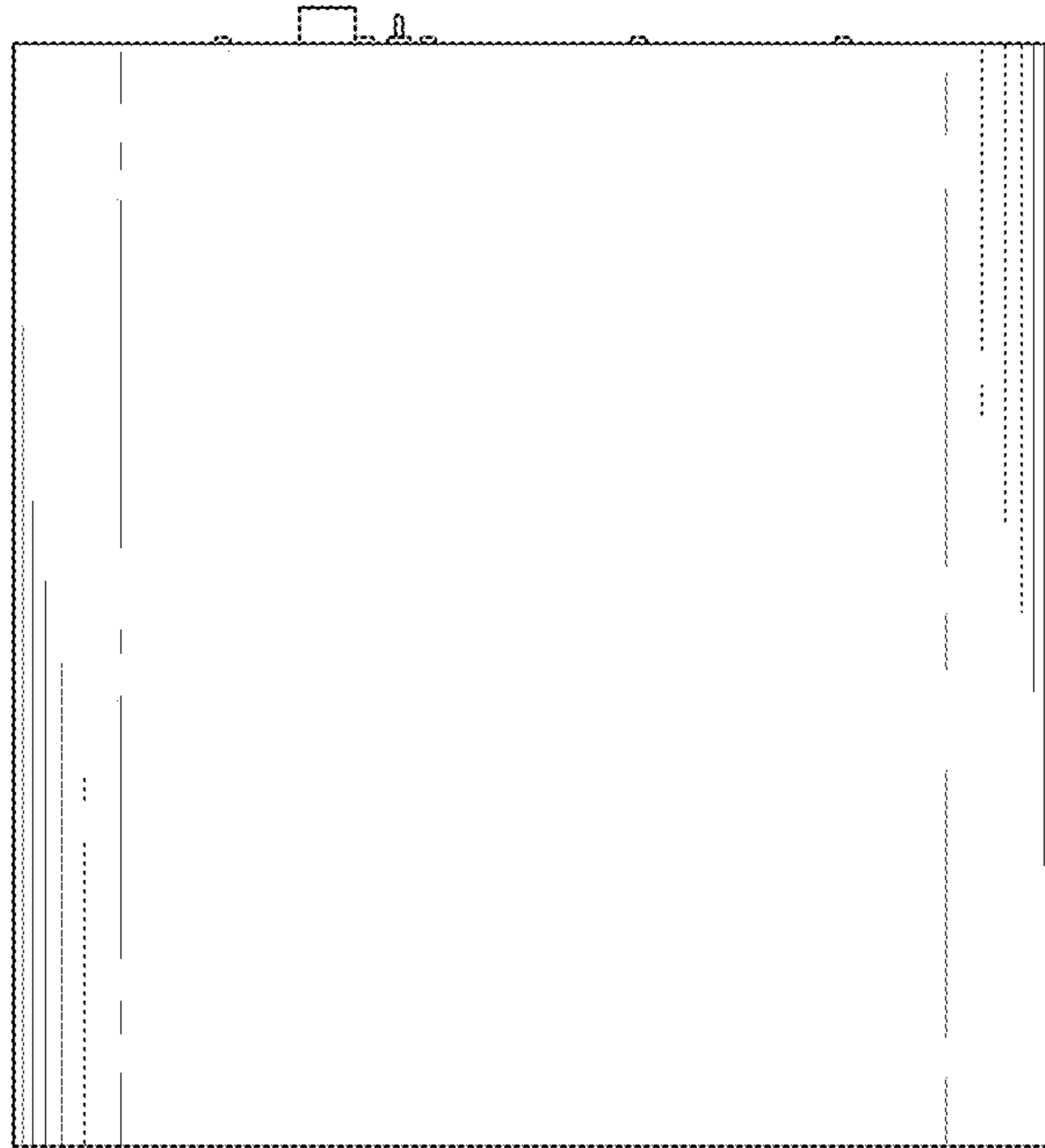


FIG. 6

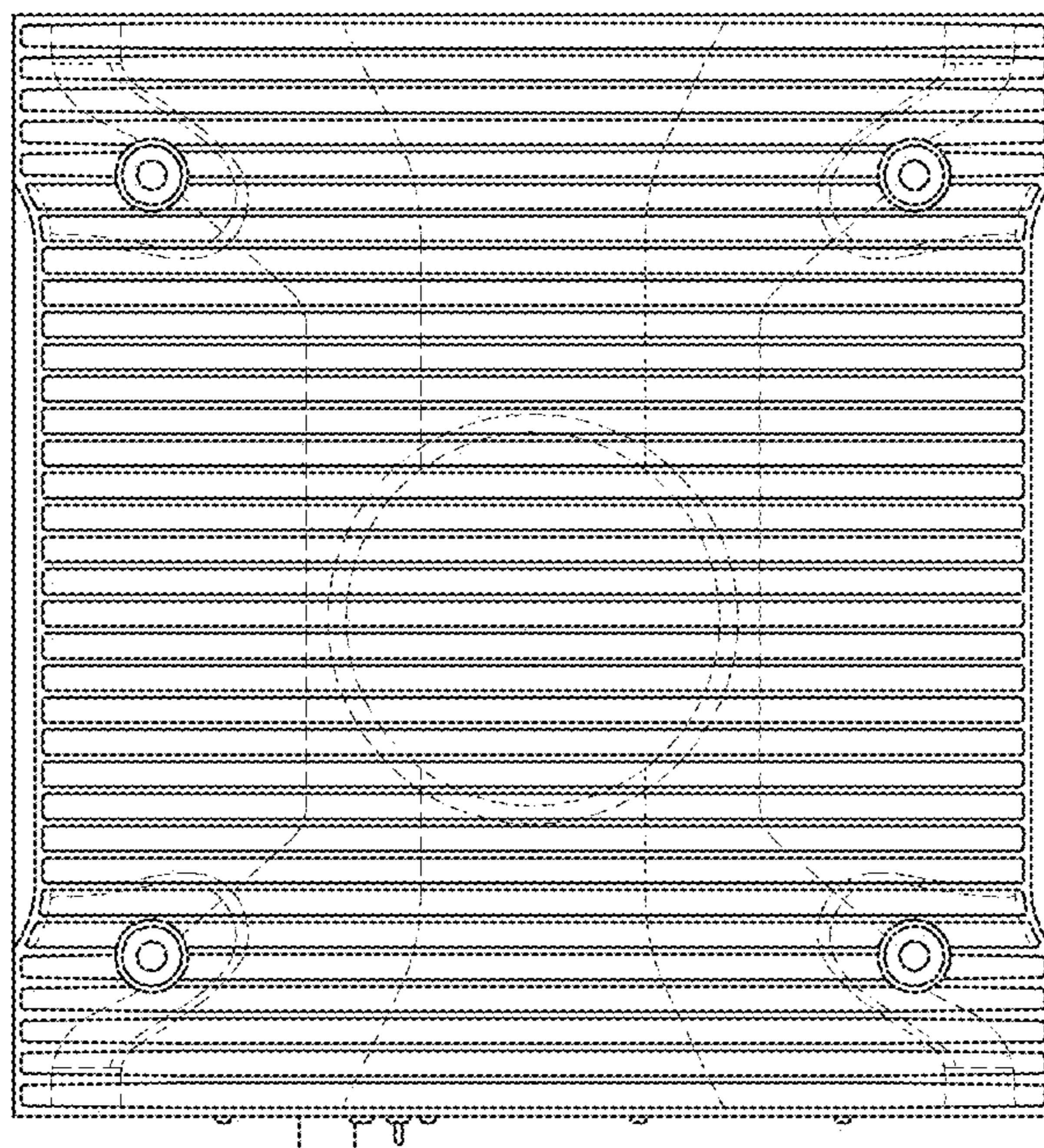


FIG. 7