



US00D874428S

(12) **United States Design Patent**  
**Bennett et al.**

(10) **Patent No.:** **US D874,428 S**

(45) **Date of Patent:** **\*\* Feb. 4, 2020**

- (54) **SET OF HEADPHONES**
- (71) Applicant: **Bose Corporation**, Framingham, MA (US)
- (72) Inventors: **Timothy Joseph Bennett**, Marlborough, MA (US); **Joshua Kevin Dryden**, Marlborough, MA (US)
- (73) Assignee: **Bose Corporation**, Framingham, MA (US)
- (\*\*) Term: **15 Years**
- (21) Appl. No.: **29/659,383**
- (22) Filed: **Aug. 8, 2018**
- (51) **LOC (12) Cl.** ..... **14-01**
- (52) **U.S. Cl.**  
USPC ..... **D14/205**
- (58) **Field of Classification Search**  
USPC ..... D14/205, 188, 192; D29/112; 2/209; D28/41; 132/273, 274, 275; 181/129, 181/130, 135; 379/430, 431; 381/380, 381/381, 374, 370; 455/90.3, 575.1, 455/569.1  
CPC .... H04R 25/00; H04R 1/1066; H04R 1/1016; H04R 5/033; H04R 5/0335; H04R 1/10  
See application file for complete search history.

- 3,211,160 A \* 10/1965 Miller ..... A45D 8/00 132/275
- D246,259 S \* 11/1977 Nishimura ..... D14/205
- 4,571,746 A \* 2/1986 Gorike ..... H04R 5/0335 2/209
- 4,597,469 A \* 7/1986 Nagashima ..... H04R 5/0335 181/129
- D292,205 S \* 10/1987 Kikutani ..... 381/378
- D297,324 S \* 8/1988 Kohno ..... D14/205
- D300,133 S \* 3/1989 Daidoh ..... D14/205
- D328,074 S \* 7/1992 Yamazaki ..... D14/205
- D376,598 S \* 12/1996 Hayashi ..... D14/205
- 5,809,573 A \* 9/1998 Bary ..... A61F 7/03 128/866
- 5,987,647 A \* 11/1999 Ouellette ..... A41D 23/00 132/273

(Continued)

**FOREIGN PATENT DOCUMENTS**

- EM 003389303-0002 \* 4/2016
- EM 003389303-0001 \* 9/2016

*Primary Examiner* — Paula Allen Greene

(57) **CLAIM**

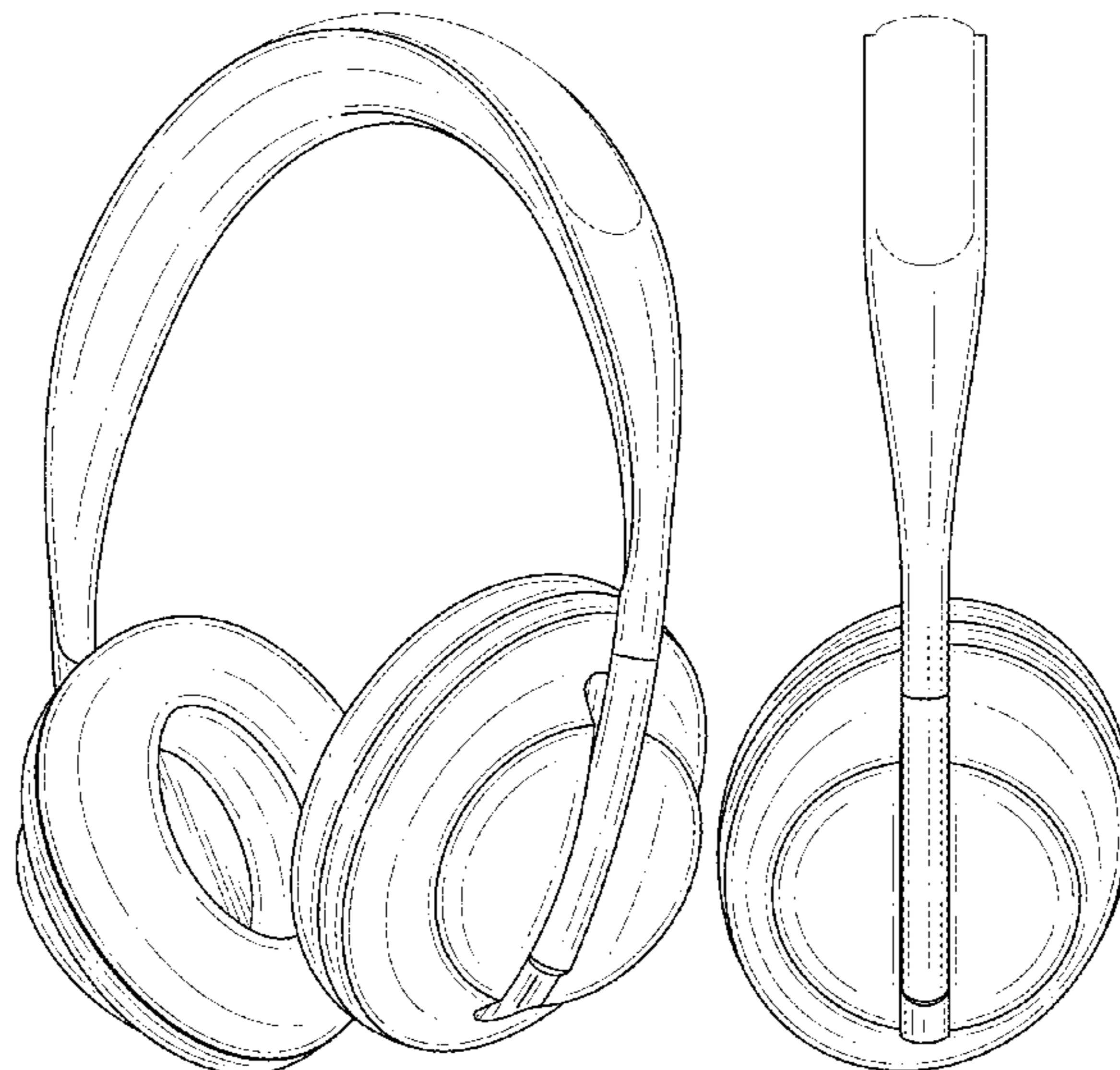
The ornamental design for set of headphones, substantially as shown and described.

**DESCRIPTION**

FIG. 1 is a perspective view of a set of headphones as seen from the front, top, and right side;  
 FIG. 2 is a front view thereof;  
 FIG. 3 is a right side view thereof;  
 FIG. 4 is a back view thereof;  
 FIG. 5 is a left side view thereof;  
 FIG. 6 is a top view thereof; and,  
 FIG. 7 is a bottom view thereof.  
 The dotted line portions of the drawings represent environmental structure only and do not form part of the claimed design.

**1 Claim, 6 Drawing Sheets**

- (56) **References Cited**  
U.S. PATENT DOCUMENTS
- 2,437,049 A \* 3/1948 Salisbury ..... A61F 11/14 128/866
- 2,615,169 A \* 10/1952 Maxant ..... A61F 11/06 2/209
- 2,812,517 A \* 11/1957 Bogart ..... A61F 11/06 2/174
- 3,098,307 A \* 7/1963 Caldwell, Jr. .... G09B 5/04 434/185
- 3,119,119 A \* 1/1964 Millinger ..... A61F 11/06 2/209



(56)

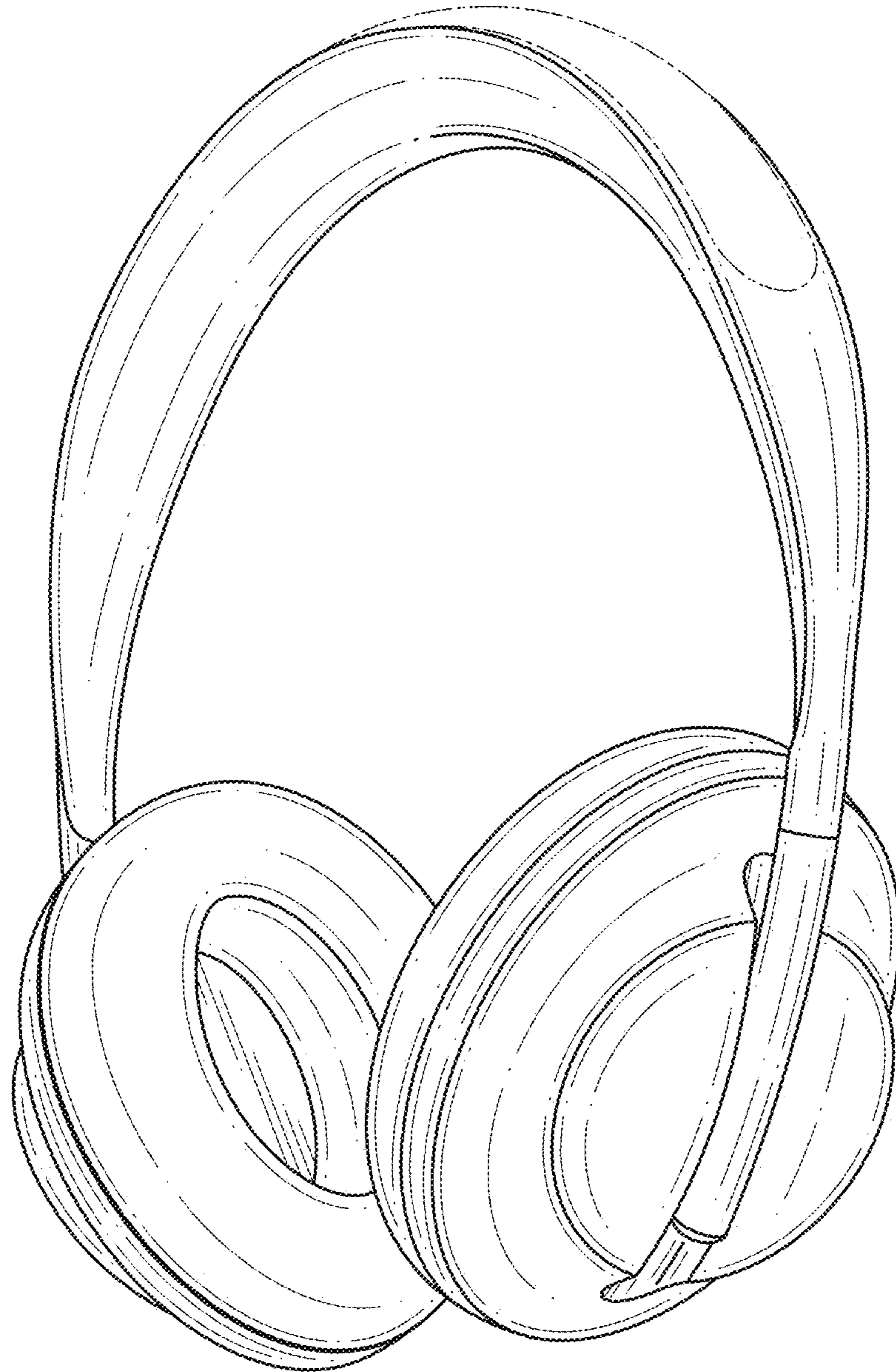
References Cited

U.S. PATENT DOCUMENTS

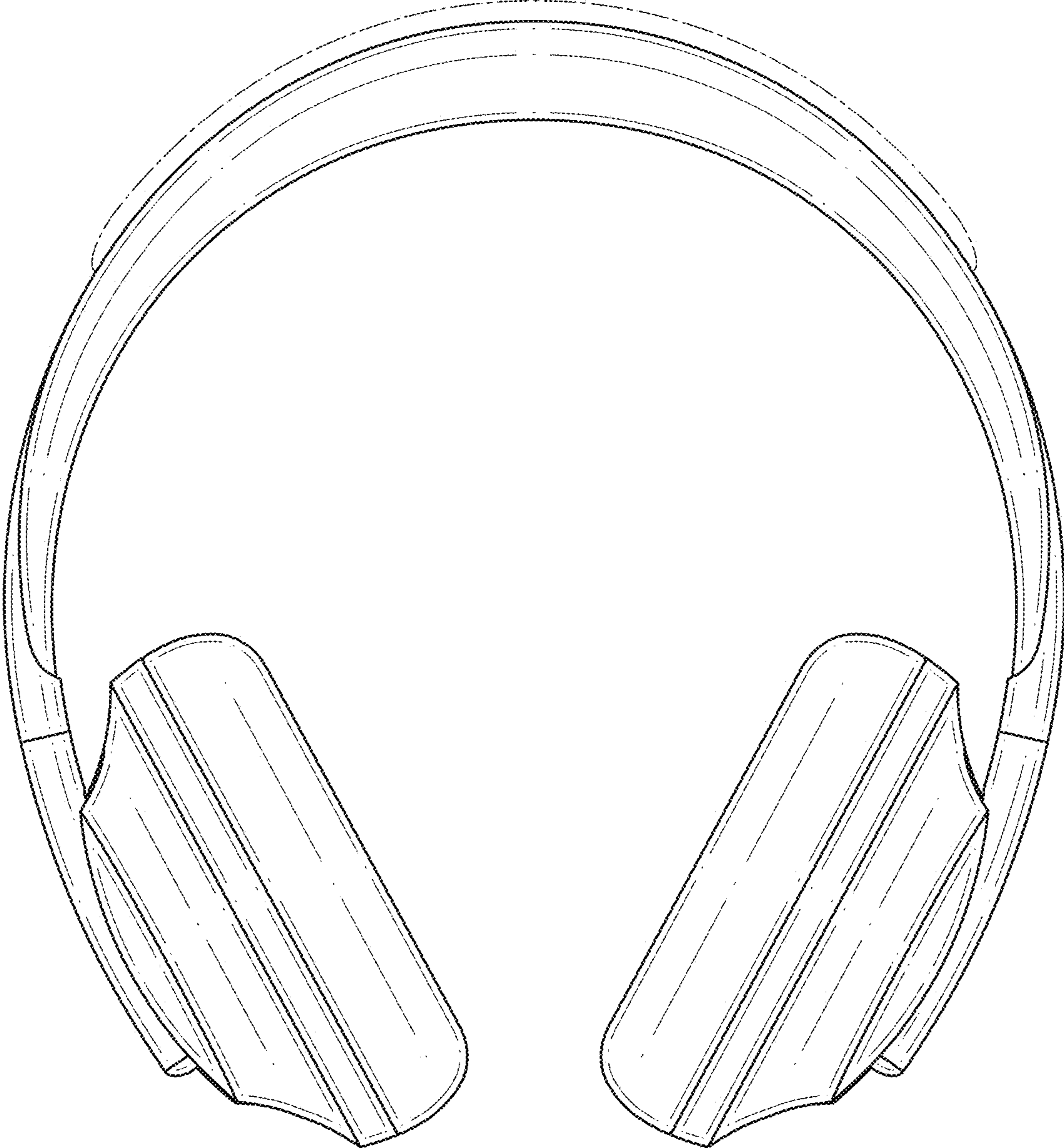
6,016,574 A \* 1/2000 Chen ..... A45D 8/36  
128/866  
6,093,202 A \* 7/2000 Dyken ..... A61F 7/02  
607/108  
D435,537 S \* 12/2000 Yuyama ..... D14/205  
D471,176 S \* 3/2003 Suzuki ..... D14/205  
D534,156 S \* 12/2006 Obata ..... D14/205  
D540,777 S \* 4/2007 Rausch ..... D14/205  
D541,256 S \* 4/2007 Rausch ..... D14/205  
D544,464 S \* 6/2007 Lee ..... D14/205  
D571,354 S \* 6/2008 Ng ..... D14/205  
D588,100 S \* 3/2009 Densho ..... D14/205  
D604,269 S \* 11/2009 Choe ..... D14/205  
D633,471 S \* 3/2011 Sugiyama ..... D14/205  
D633,895 S \* 3/2011 Morimoto ..... D14/205  
D634,732 S \* 3/2011 Kondo ..... D14/205  
D637,295 S \* 5/2011 McCartney ..... D24/174  
D641,725 S \* 7/2011 Chong ..... D14/205  
D654,472 S \* 2/2012 Fischer ..... D14/206  
D657,346 S \* 4/2012 Park ..... D14/205  
D662,080 S \* 6/2012 Carr ..... D14/205  
D663,717 S \* 7/2012 Hutchieson ..... D14/206  
D664,114 S \* 7/2012 Tsuchiya ..... D14/205  
D666,992 S \* 9/2012 Lee ..... D14/205  
8,295,529 B2 \* 10/2012 Petersen ..... H04R 1/083  
381/371  
D678,859 S \* 3/2013 Lee ..... D14/205  
D684,558 S \* 6/2013 Hansson ..... D14/205  
D697,495 S \* 1/2014 Lian ..... D14/205

8,646,466 B2 \* 2/2014 Howard ..... A45D 8/36  
132/275  
D706,744 S \* 6/2014 Yang ..... H04R 1/10  
D14/205  
8,755,555 B2 \* 6/2014 Dougherty ..... H04R 1/1066  
381/370  
D713,374 S \* 9/2014 Farrage ..... D14/205  
D715,252 S \* 10/2014 Sparks ..... D14/205  
D721,052 S \* 1/2015 Carr ..... D14/205  
D724,561 S \* 3/2015 Ko ..... D14/205  
D737,799 S \* 9/2015 Carr ..... D14/205  
D769,840 S \* 10/2016 Henning ..... D14/205  
D809,475 S \* 2/2018 Dryden ..... D14/205  
D809,476 S 2/2018 Summerson et al.  
D810,046 S 2/2018 Dryden et al.  
D812,037 S \* 3/2018 Petersen ..... D14/205  
D813,194 S \* 3/2018 Loh ..... D14/205  
D833,071 S \* 11/2018 Pennington ..... D28/41  
D840,969 S \* 2/2019 Dryden ..... D14/205  
D840,973 S \* 2/2019 Dryden ..... D14/205  
D855,034 S \* 7/2019 Loh ..... D14/205  
D857,655 S \* 8/2019 Saule ..... D14/205  
2006/0027245 A1 \* 2/2006 Spector ..... A45D 8/36  
132/273  
2010/0177907 A1 \* 7/2010 Morisawa ..... H04R 1/1066  
381/74  
2011/0051976 A1 \* 3/2011 Tsai ..... H04R 1/1066  
381/378  
2013/0087404 A1 \* 4/2013 Peskar ..... G10K 11/168  
181/129

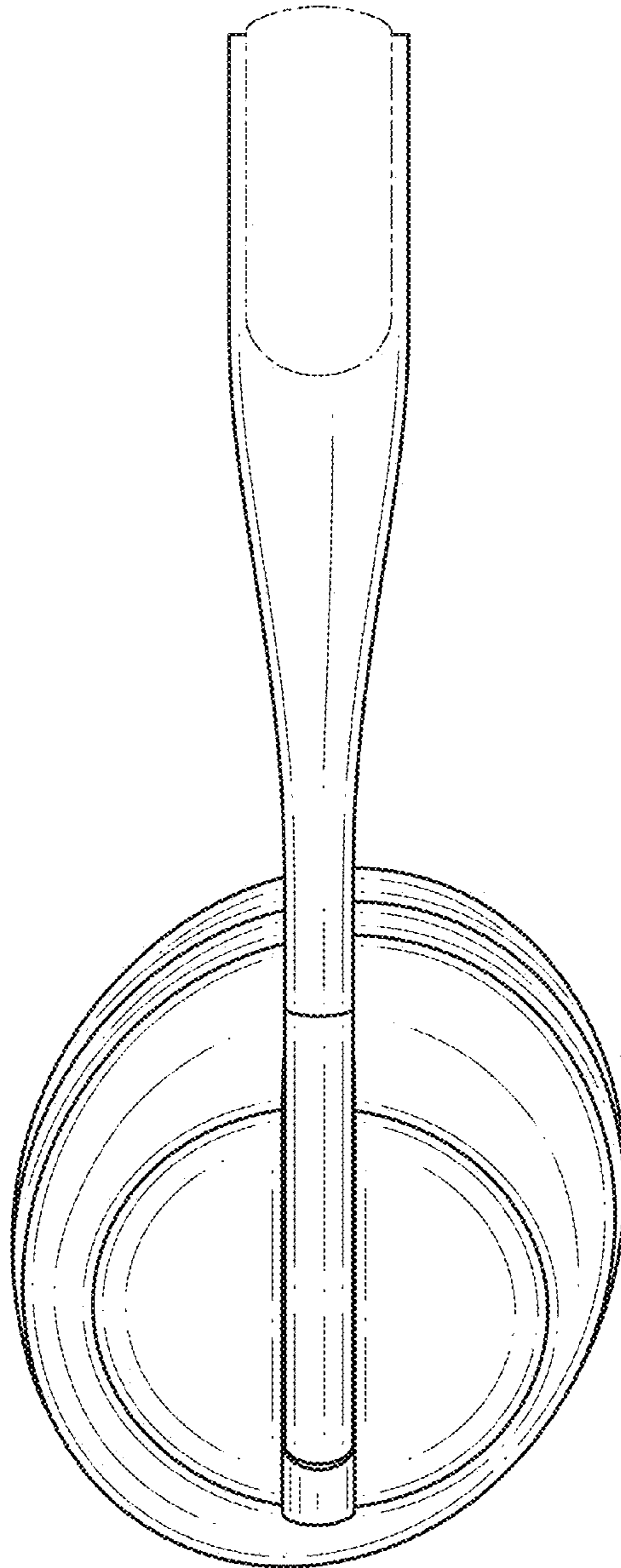
\* cited by examiner



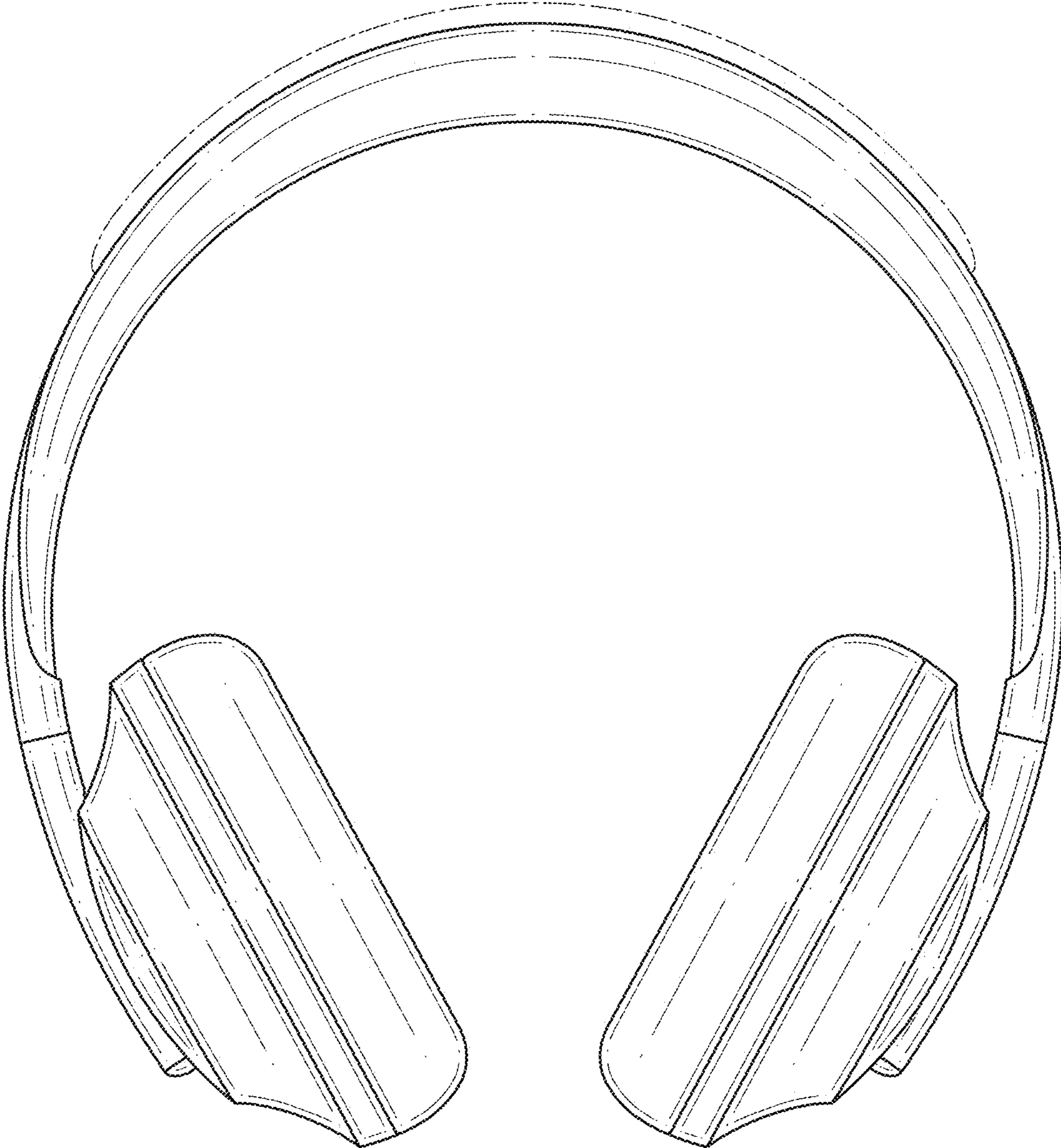
**FIG. 1**



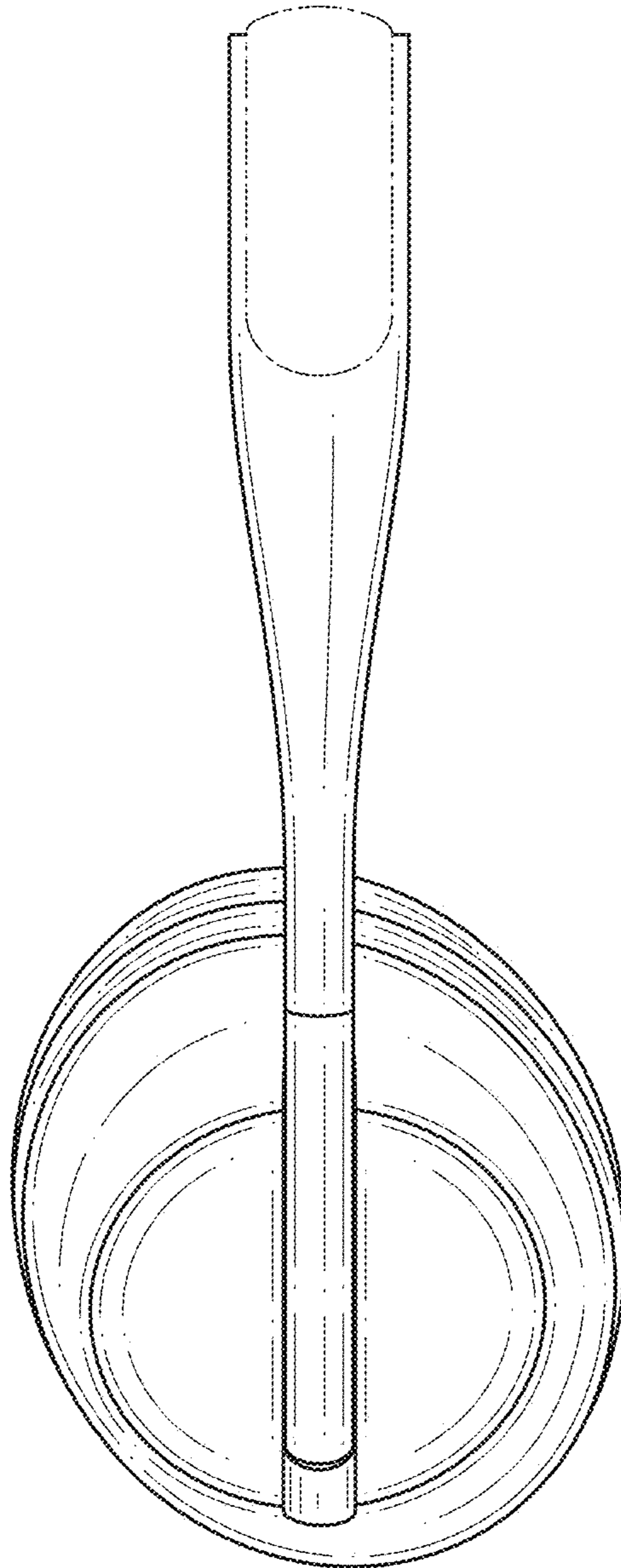
**FIG. 2**



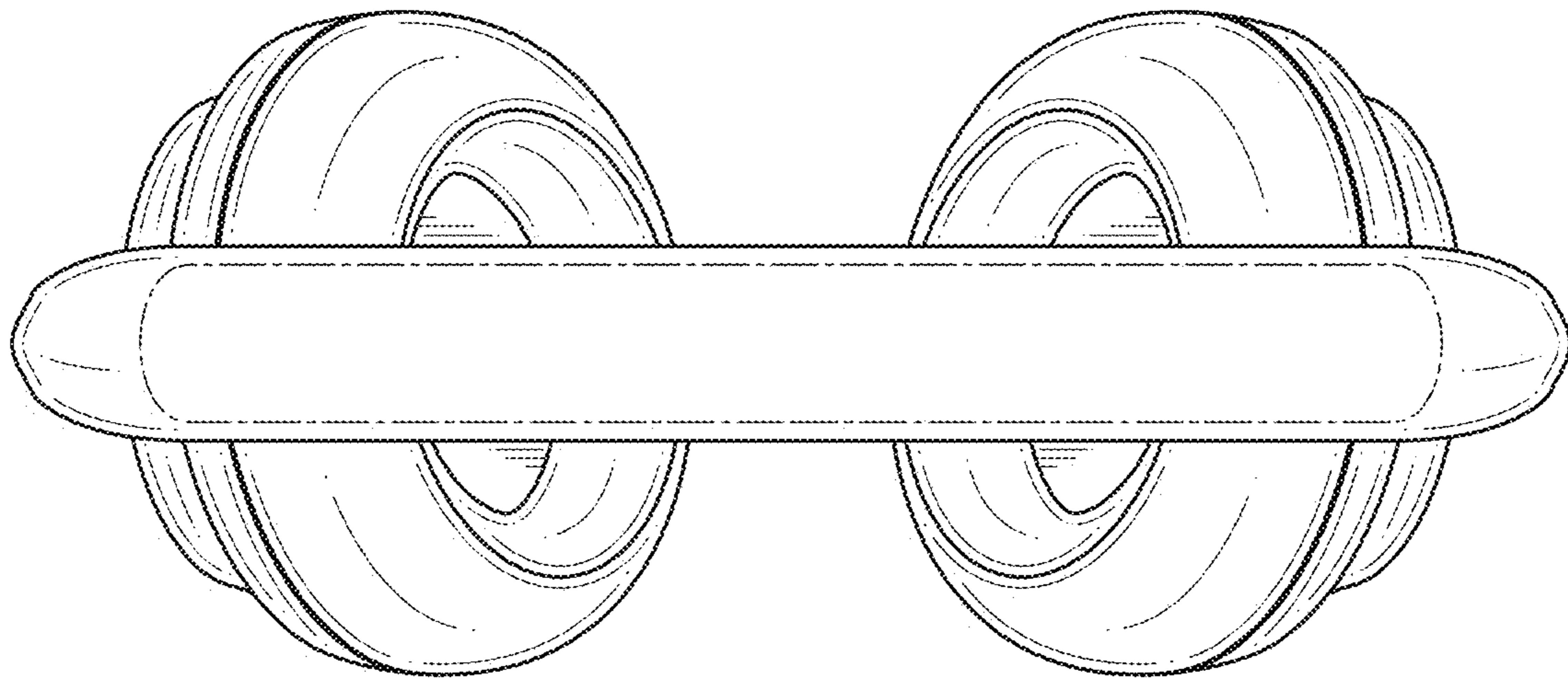
**FIG. 3**



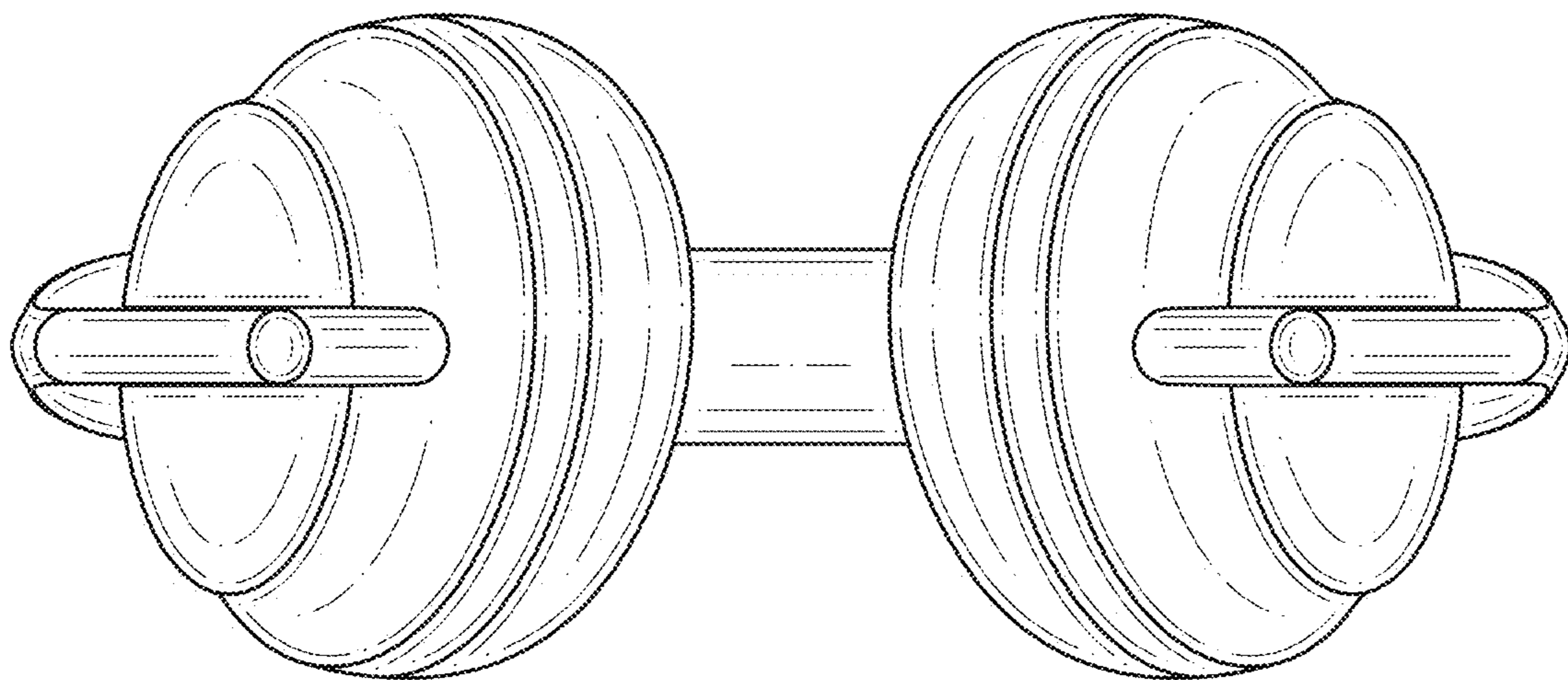
**FIG. 4**



**FIG. 5**



**FIG. 6**



**FIG. 7**