



US00D874426S

(12) **United States Design Patent**  
**Kim**

(10) **Patent No.:** **US D874,426 S**

(45) **Date of Patent:** **\*\* Feb. 4, 2020**

(54) **LOUDSPEAKER**

(71) Applicant: **Harman International Industries, Incorporated, Northridge, CA (US)**

(72) Inventor: **Juyoung Kim, Shenzhen (CN)**

(73) Assignee: **Harman International Industries, Incorporated, Northridge, CA (US)**

(\*\*) Term: **15 Years**

(21) Appl. No.: **29/640,611**

(22) Filed: **Mar. 15, 2018**

(51) **LOC (12) Cl.** ..... **14-01**

(52) **U.S. Cl.**  
USPC ..... **D14/204**

(58) **Field of Classification Search**  
USPC .... D14/167, 188, 204, 209.1, 210–215, 348,  
D14/352, 498–505; 181/143, 144, 148,  
181/153, 157, 198, 199; 369/6–12;  
381/300–303, 361–364, 366, 386–388  
CPC ..... H04R 1/02; H04R 1/021; H04R 1/023;  
H04R 5/00; H04R 9/06; H04R 2420/07  
See application file for complete search history.

(56) **References Cited**

**U.S. PATENT DOCUMENTS**

- D372,917 S \* 8/1996 Kobayashi ..... D14/214
- D538,478 S \* 3/2007 Chen ..... D28/85
- D573,134 S \* 7/2008 Milks ..... D14/214
- D594,845 S \* 6/2009 Skurdal ..... D10/2
- D611,450 S \* 3/2010 Miyazaki ..... D14/209.1
- D619,116 S \* 7/2010 Skurdal ..... D10/2
- D641,338 S \* 7/2011 Chen ..... D14/209.1
- D642,156 S \* 7/2011 Joseph ..... D14/209.1
- D670,264 S \* 11/2012 Tsai ..... D14/172
- D718,335 S \* 11/2014 Lee ..... D14/203.1
- D719,137 S \* 12/2014 Cheng ..... D14/216
- D719,976 S \* 12/2014 Bang ..... D14/203.1

- D729,768 S \* 5/2015 Park ..... D14/214
- D731,463 S \* 6/2015 Ho ..... D14/214
- D739,376 S \* 9/2015 Asao ..... D14/204
- D742,855 S \* 11/2015 Carbone ..... D14/214
- D749,056 S \* 2/2016 Xin ..... D14/214

(Continued)

**OTHER PUBLICATIONS**

Harman Kardon One, Esquire 2 Wireless Speakers Launched in India, Gadgets.NDTV.com, By Robin Sinha, Updated Mar. 15, 2016 19:36 IST, [online], [site visited Jun. 17, 2019]. URL: <https://gadgets.ndtv.com/tv/news/harman-kardon-one-esquire-2-wireless-speakers-launched-in-india-813987> (Year: 2016).\*

(Continued)

*Primary Examiner* — T Chase Nelson  
*Assistant Examiner* — Jonathan J. Han

(74) *Attorney, Agent, or Firm* — Plumsea Law Group, LLC

(57) **CLAIM**

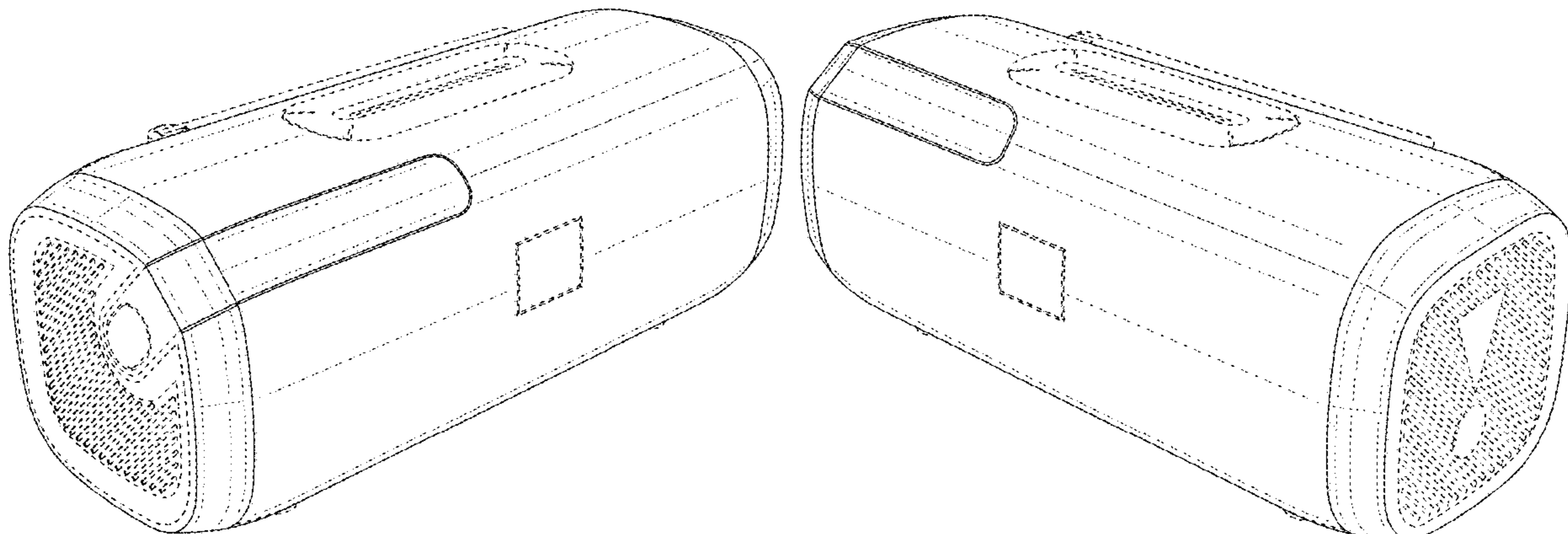
The ornamental design for a loudspeaker, as shown and described.

**DESCRIPTION**

FIG. 1 is a front perspective view of a loudspeaker showing the new design;  
FIG. 2 is another front perspective view thereof;  
FIG. 3 is a front elevational view thereof;  
FIG. 4 is a rear elevational view thereof;  
FIG. 5 is a side elevational view thereof;  
FIG. 6 is an opposite side elevational view thereof;  
FIG. 7 is a top view thereof; and,  
FIG. 8 is a bottom view thereof.

The portions shown in broken lines and unshaded areas form no part of the claimed design. The shading on the loudspeaker is provided merely to represent contours of the design and does not connote the character of the surfaces such as any specific texture, material, gloss, translucence, transparency, surface treatment, or surface decoration.

**1 Claim, 8 Drawing Sheets**



(56)

References Cited

U.S. PATENT DOCUMENTS

D755,155 S \* 5/2016 Paterson ..... D14/204  
 D758,343 S 6/2016 Lindenberger et al.  
 D759,632 S \* 6/2016 Fischer ..... D14/204  
 D772,093 S \* 11/2016 Kruska ..... D10/119.1  
 D789,329 S \* 6/2017 Tse ..... D14/204  
 D790,508 S \* 6/2017 Lewis ..... D14/204  
 D793,993 S \* 8/2017 Song ..... D14/214  
 D803,813 S 11/2017 Rouffiat et al.  
 D821,358 S \* 6/2018 Garfio ..... D14/214  
 D831,002 S \* 10/2018 Distefano ..... D14/216  
 D835,578 S \* 12/2018 Bai ..... D13/108  
 D836,604 S \* 12/2018 Kim ..... D14/214  
 D837,733 S \* 1/2019 Bai ..... D13/108  
 D845,925 S \* 4/2019 Bellinghausen ..... D14/204  
 D848,971 S \* 5/2019 Wang ..... D14/204  
 2012/0300962 A1 \* 11/2012 Devoto ..... H04R 5/02  
 381/300

OTHER PUBLICATIONS

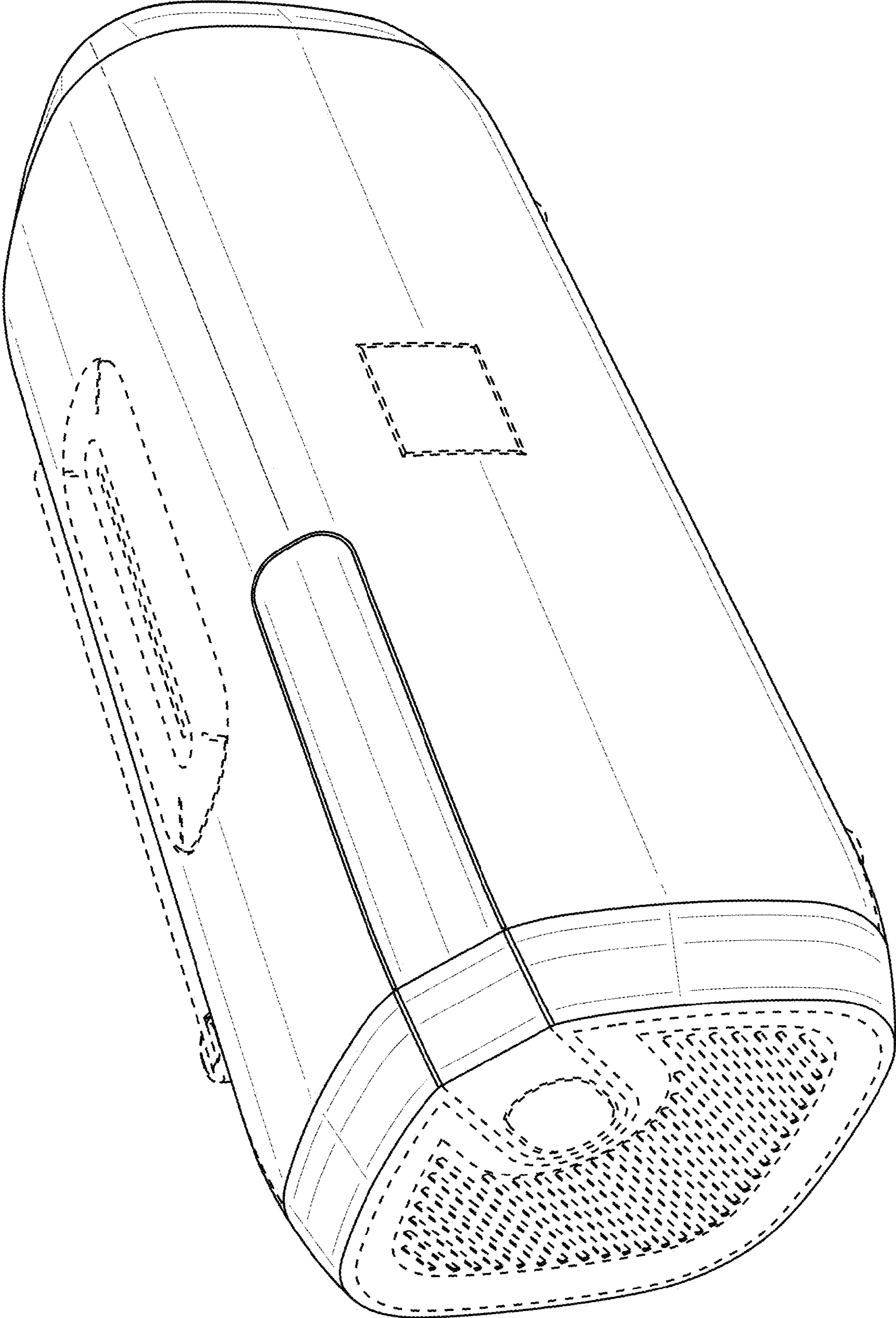
JBL Xtreme Delivers Big Concert Sound in Portable Bluetooth Speaker, BusinessWire.com, Sep. 3, 2015 09:00 AM EDT, [online], [site visited Jun. 17, 2019]. URL: <https://www.businesswire.com/news/home/20150903005485/en/JBL%C2%AE-Xtreme-Delivers-Big-Concert-S> (Year: 2015).\*

Harman Kardon Infinity One Wireless Speaker Overview, YouTube.com, Abt Electronics, Published on Nov. 18, 2014, [online], [site visited Jun. 17, 2019]. URL: [https://www.youtube.com/watch?v=OsYCZJSI\\_FM](https://www.youtube.com/watch?v=OsYCZJSI_FM) (Year: 2014).\*

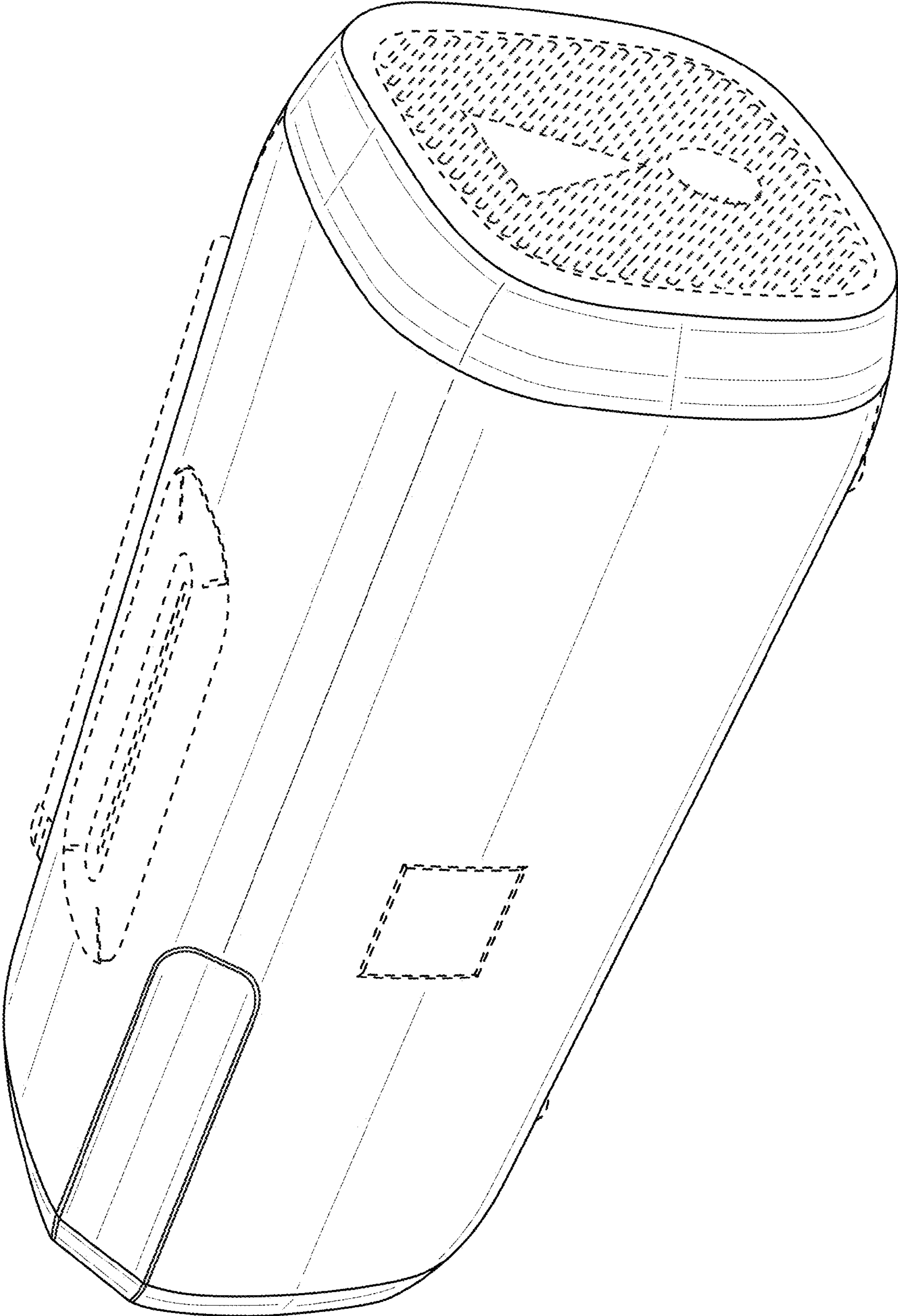
UE Megaboom—Infinity One—JBL Charge 2—Denon Envaya Mini: binaural “live” sound comparison, YouTube.com, clavinetjunkie, Published on Jan. 25, 2015, [online], [site visited Jun. 17, 2019]. URL: [https://www.youtube.com/watch?v=ScS7b\\_izq8k](https://www.youtube.com/watch?v=ScS7b_izq8k) (Year: 2015).\*

Design U.S. Appl. No. 29/576,189, filed Aug. 31, 2016.

\* cited by examiner



**FIG. 1**



**FIG. 2**

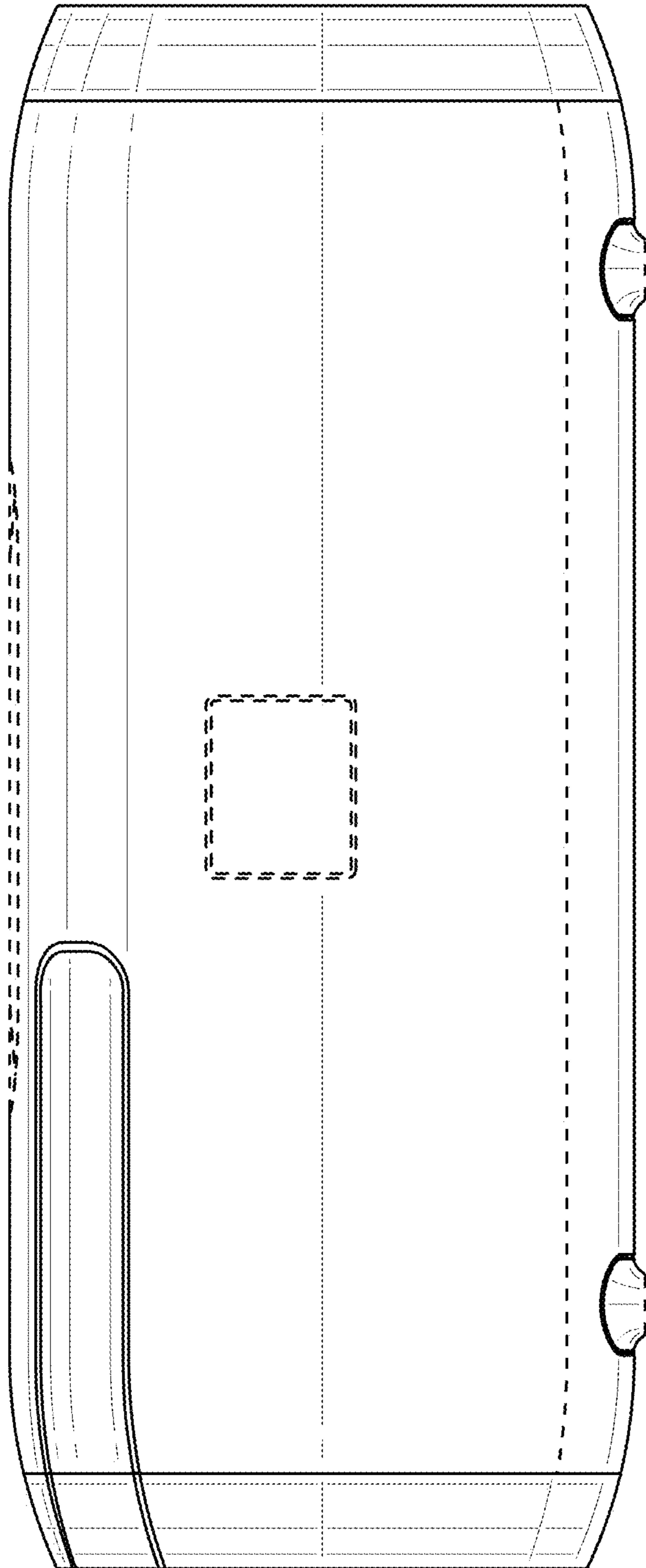
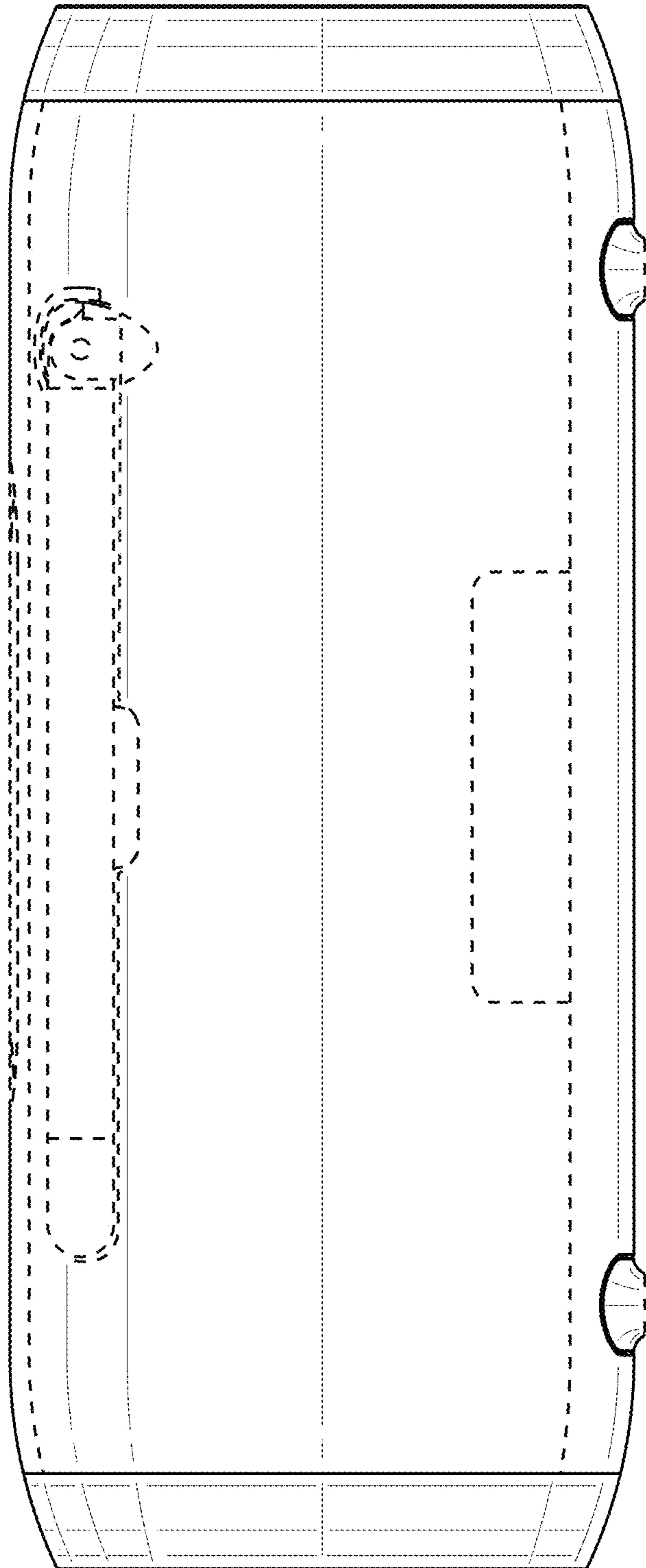
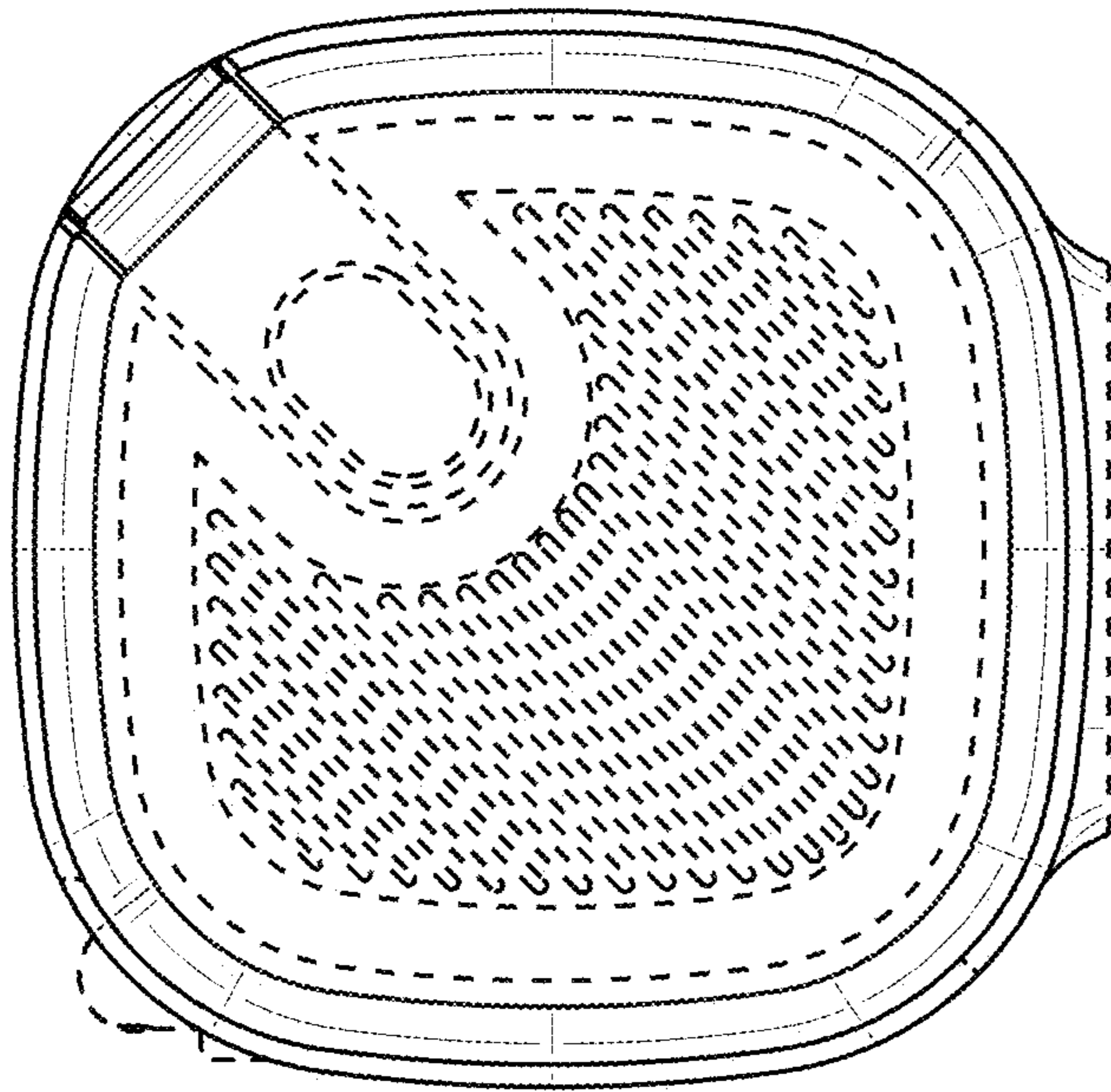


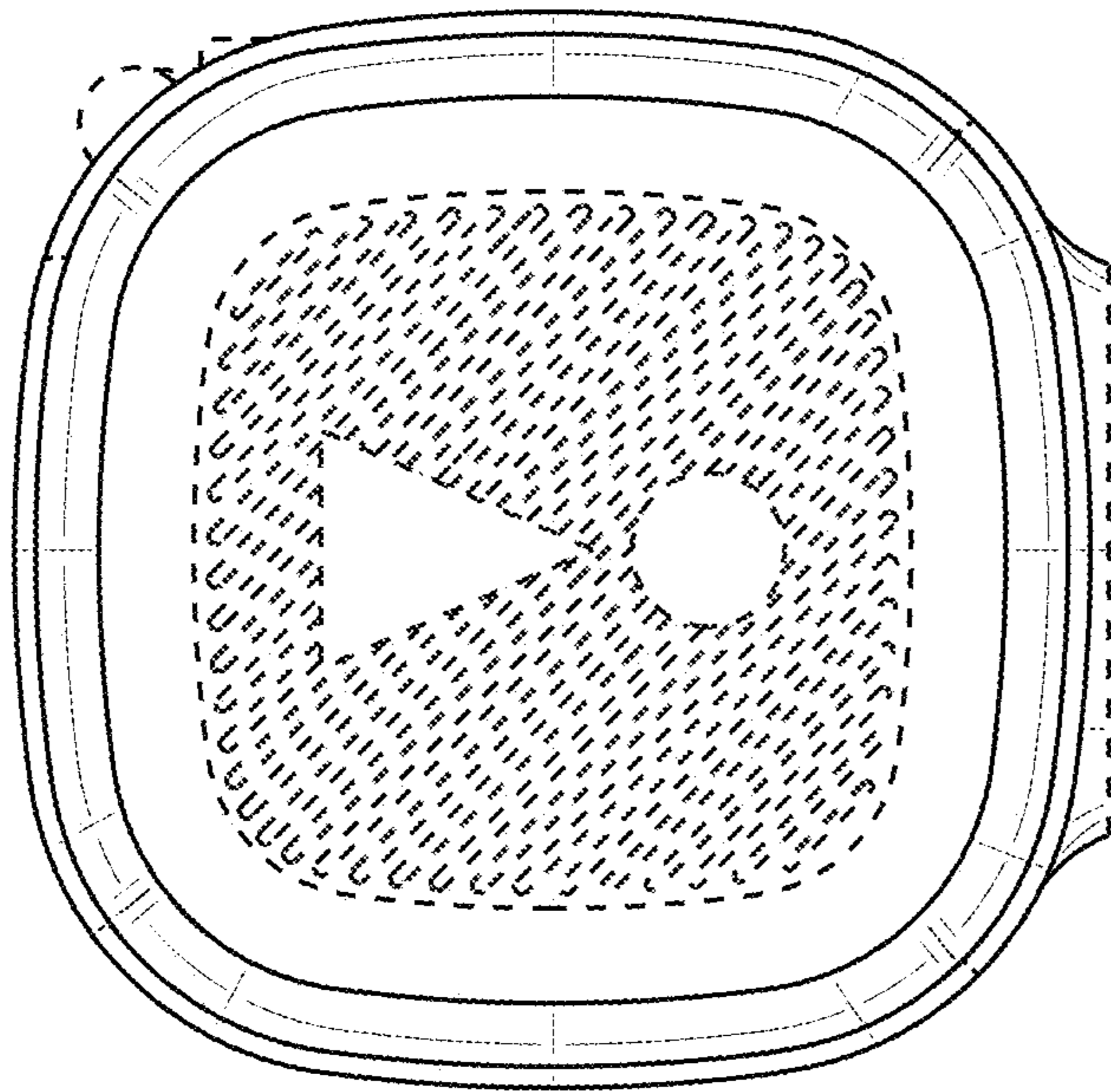
FIG. 3



**FIG. 4**

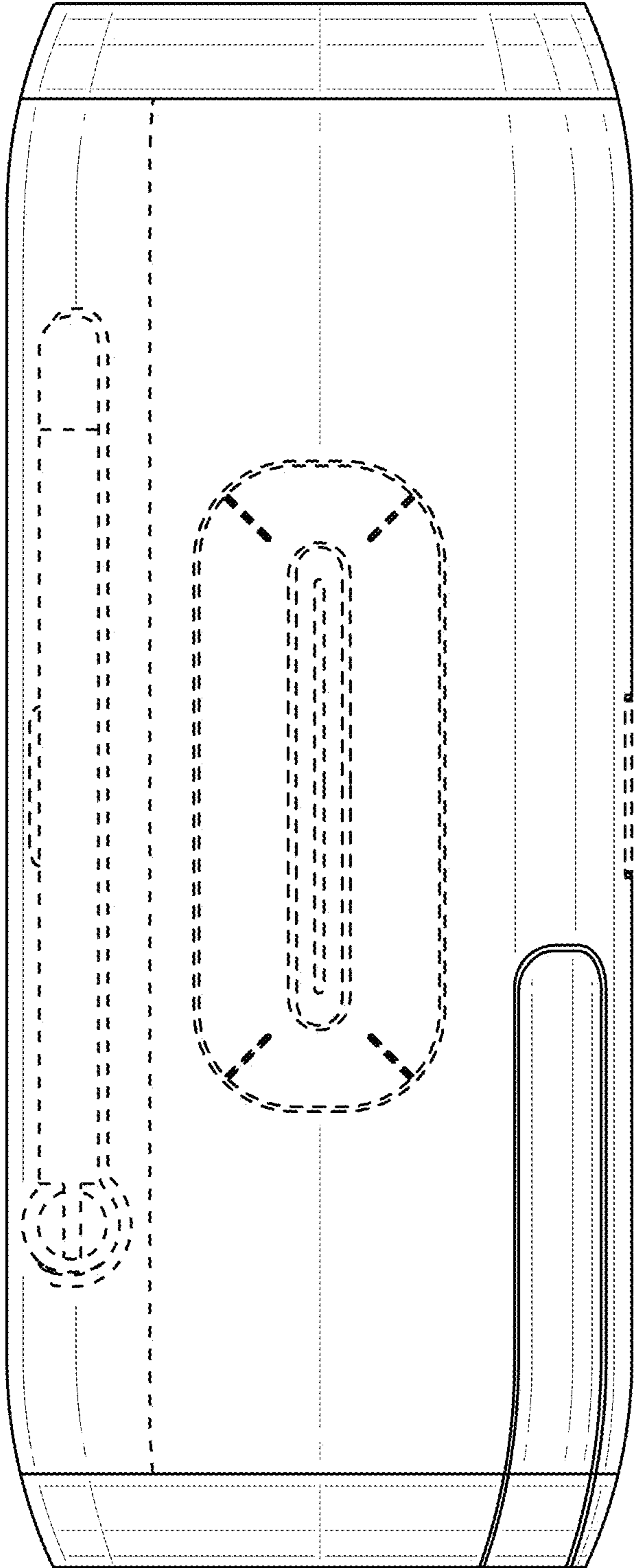


**FIG. 5**

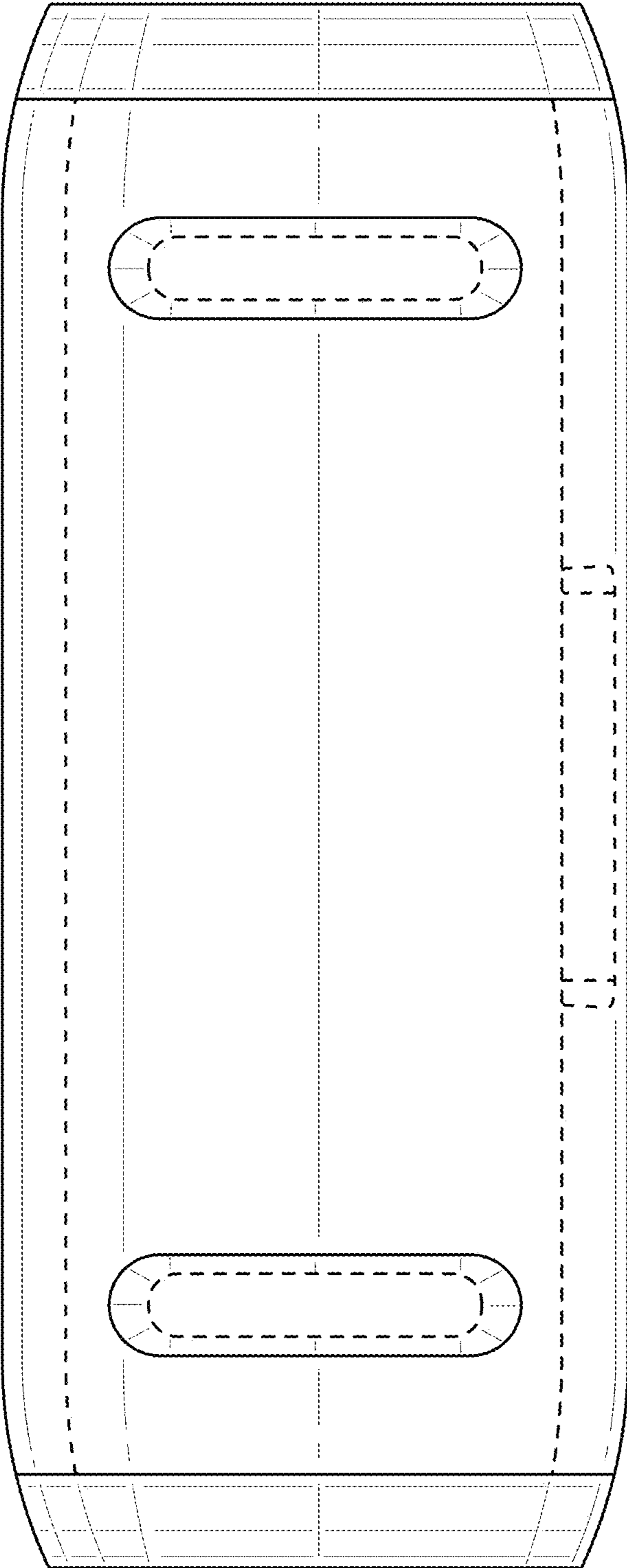


**FIG. 6**





**FIG. 7**



**FIG. 8**