



US00D874424S

(12) **United States Design Patent**
Nakagawa

(10) **Patent No.:** **US D874,424 S**
(45) **Date of Patent:** **** Feb. 4, 2020**

(54) **RADIO COMMUNICATION DEVICE**

(71) Applicant: **ICOM INCORPORATED**, Osaka (JP)

(72) Inventor: **Masashi Nakagawa**, Osaka (JP)

(73) Assignee: **ICOM INCORPORATED**, Osaka-Shi,
Osaka (JP)

(**) Term: **15 Years**

(21) Appl. No.: **29/630,832**

(22) Filed: **Dec. 22, 2017**

(30) **Foreign Application Priority Data**

Jul. 19, 2017 (JP) D2017-015536

(51) **LOC (12) Cl.** **14-01**

(52) **U.S. Cl.**
USPC **D14/188**; D14/137

(58) **Field of Classification Search**
USPC D14/162, 167-169, 175, 179, 188,
D14/194-198, 217, 257, 265, 299, 496,
D14/137

CPC B60R 11/0217; G06F 1/1688; G10K 9/22;
G10K 11/004; H03F 1/327; H04M 1/03;
H04M 1/035; H04N 5/642; H04N
21/4852; H04R 1/02; H04R 1/06; H04R
1/021; H04R 1/025; H04R 1/026; H04R
1/028; H04R 1/105; H04R 1/323; H04R
1/403; H04R 1/2803; H04R 1/2834;
H04R 5/02; H04R 7/20; H04R 9/06;
H04R 9/025; H04R 2201/021; H04R
2400/00; H04R 2400/07; H04R 2499/11;
H04R 2499/13; H04R 2499/15; H04S
3/00; H04S 7/30

See application file for complete search history.

(56) **References Cited**

U.S. PATENT DOCUMENTS

D601,999 S * 10/2009 Onoue D14/188
D615,525 S * 5/2010 Emge D14/137
D771,618 S * 11/2016 Nishida D14/258
D808,921 S * 1/2018 Nishizawa D14/198
D860,156 S * 9/2019 Omura D14/157

FOREIGN PATENT DOCUMENTS

JP D1454310 S 11/2012

* cited by examiner

Primary Examiner — Keli L Hill

(74) *Attorney, Agent, or Firm* — Birch, Stewart, Kolasch
& Birch, LLP

(57) **CLAIM**

The ornamental design for a radio communication device, as
shown and described.

DESCRIPTION

FIG. 1 is a perspective view of the radio communication
device;

FIG. 2 is a front view of the radio communication device;

FIG. 3 is a rear view of the radio communication device;

FIG. 4 is a left side view of the radio communication device;

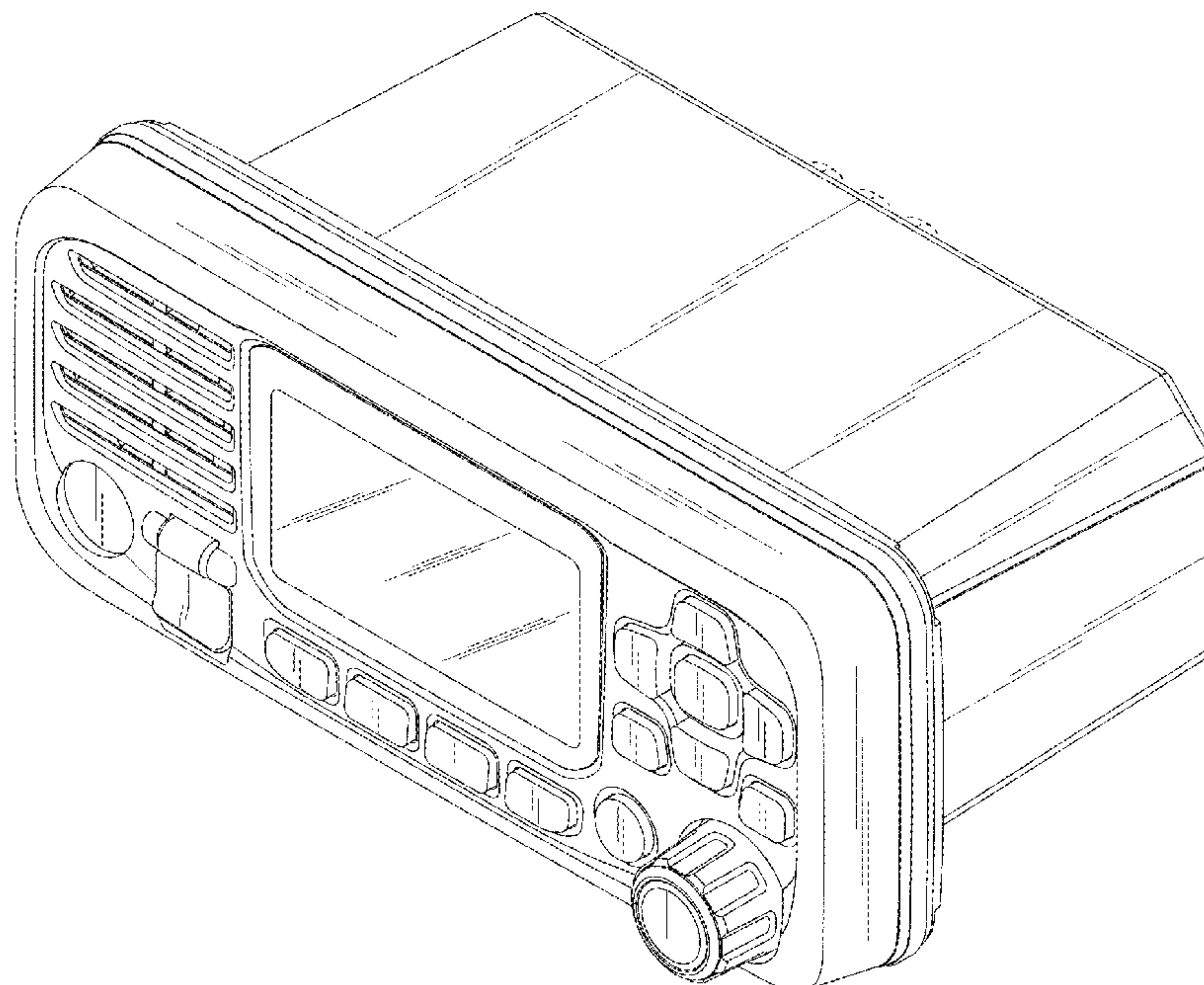
FIG. 5 is a right side view of the radio communication
device;

FIG. 6 is a top view of the radio communication device; and,

FIG. 7 is a bottom view of the radio communication device.

The broken lines depict portions of the radio communication
device in which the design is embodied that are not consid-
ered part of the claimed design.

1 Claim, 7 Drawing Sheets



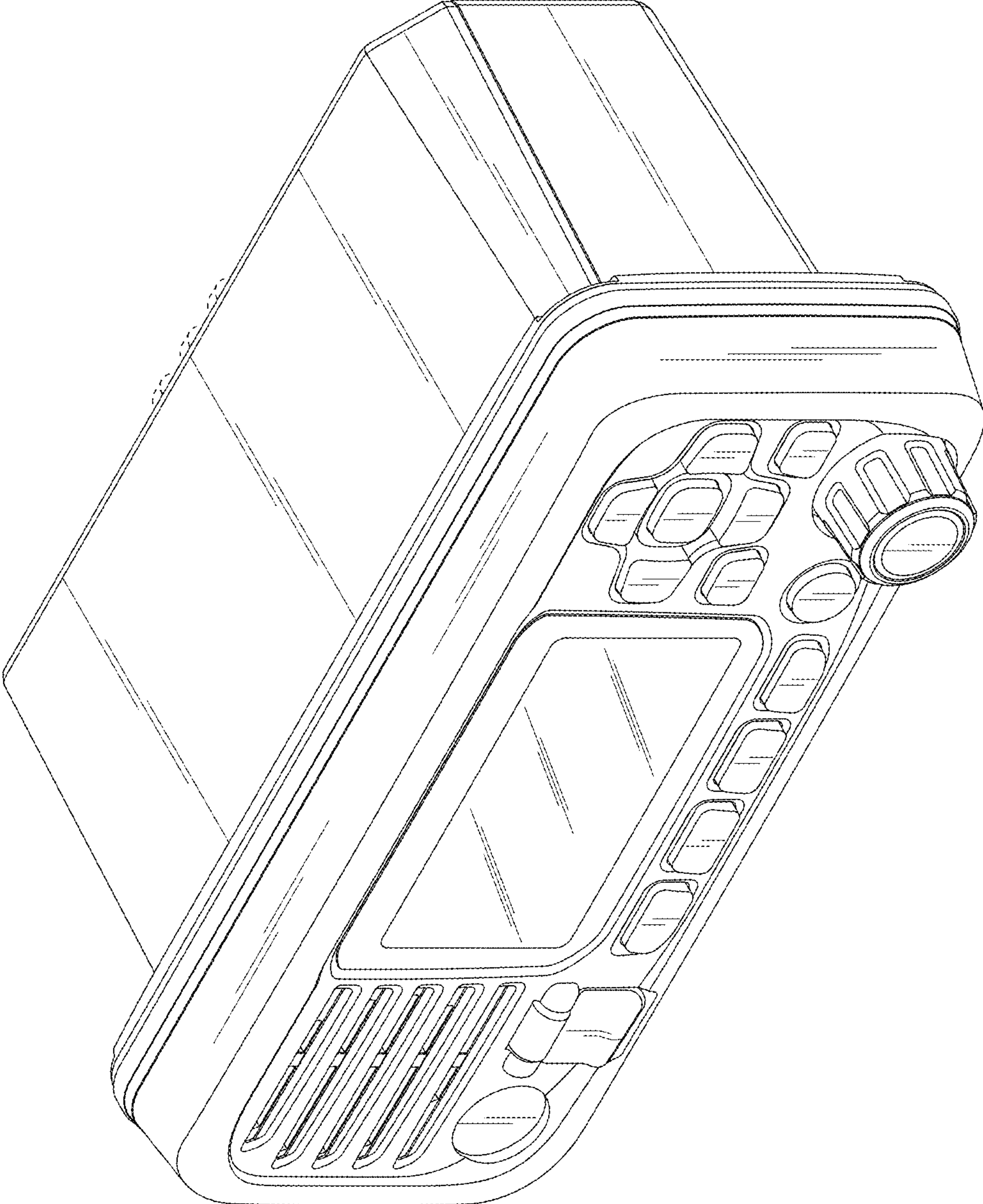


FIG.1

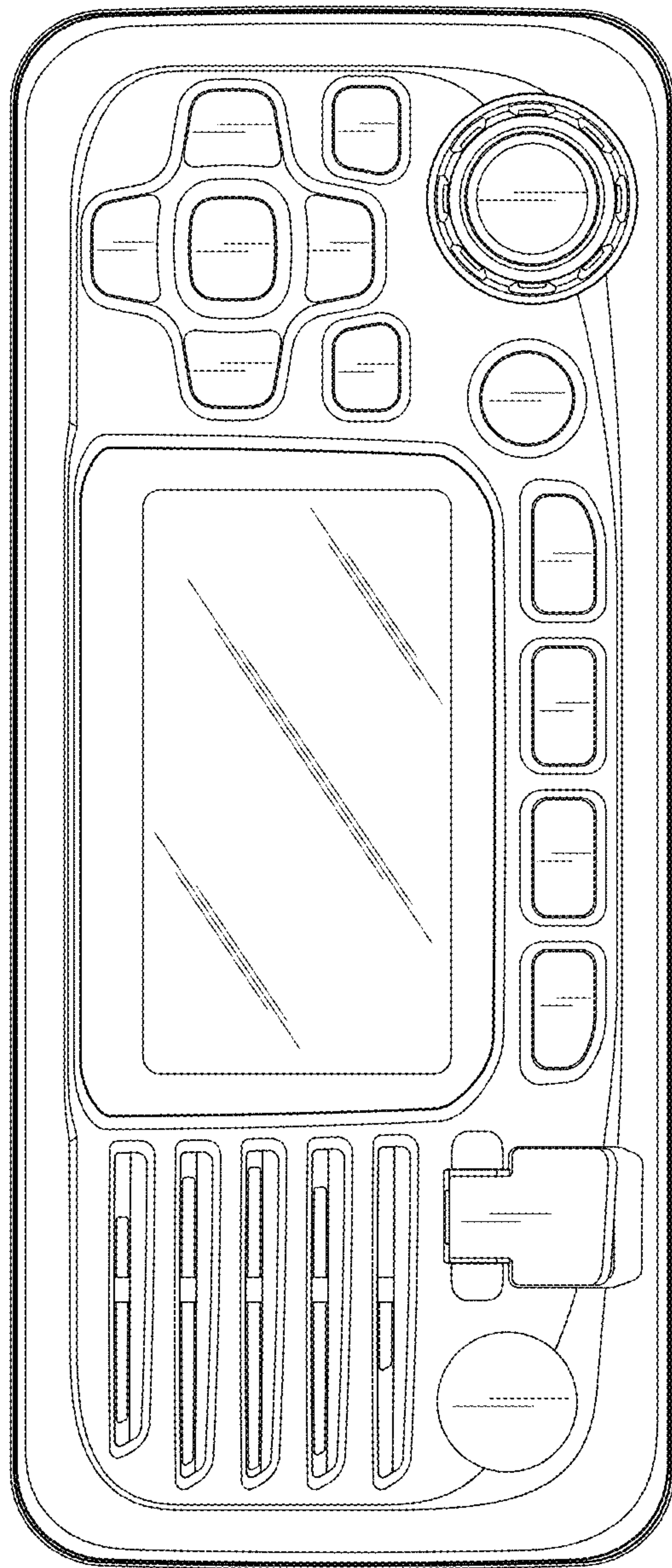


FIG.2

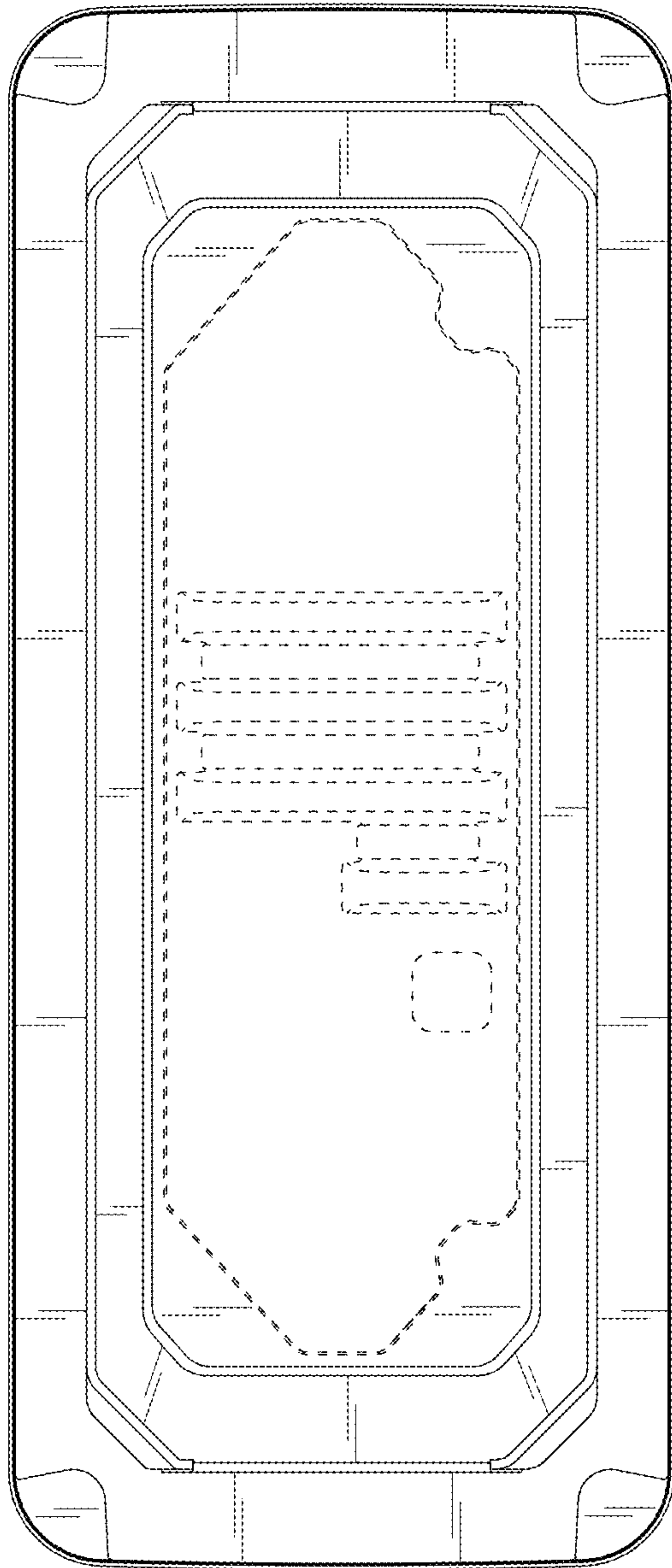


FIG. 3

FIG.4

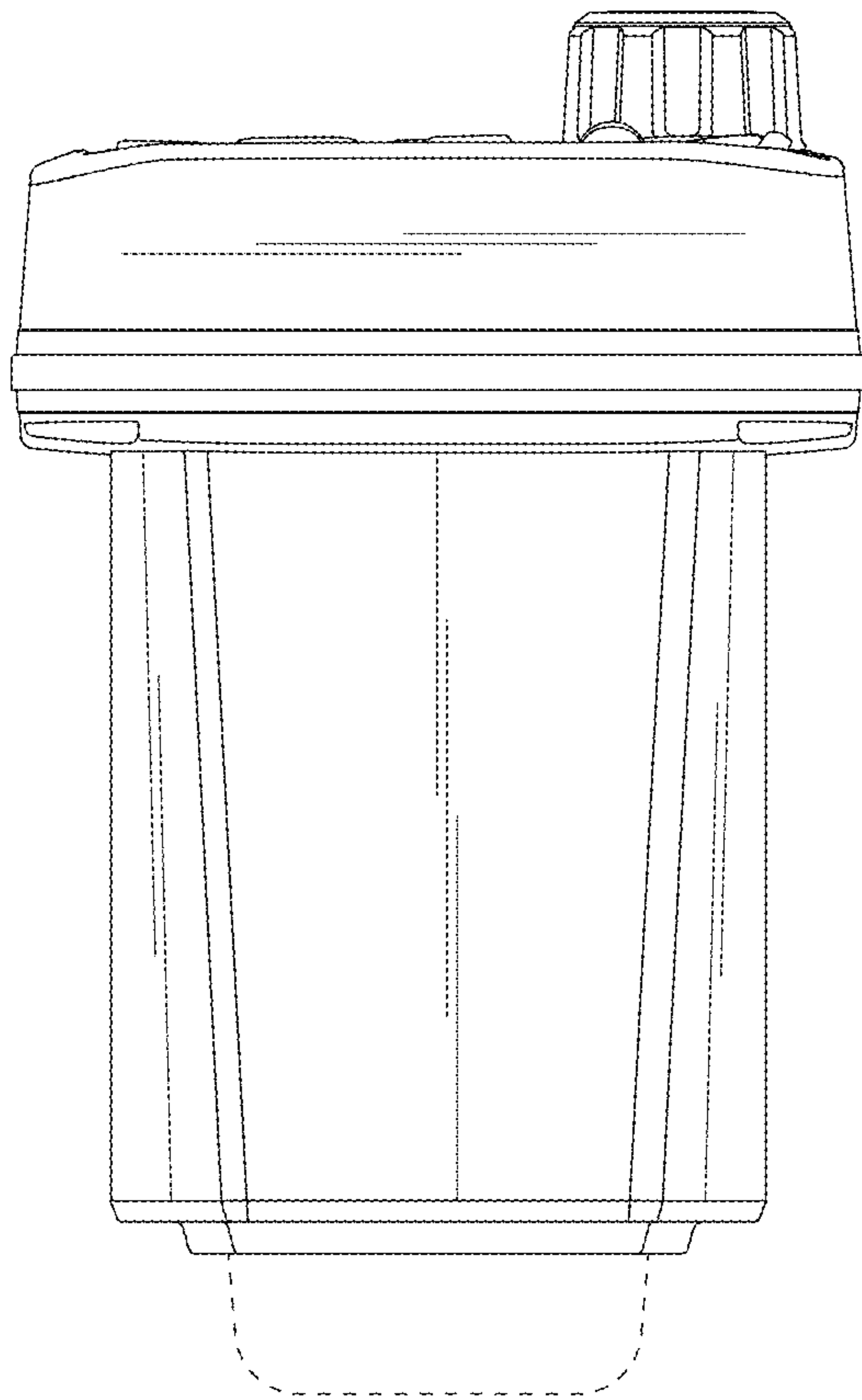
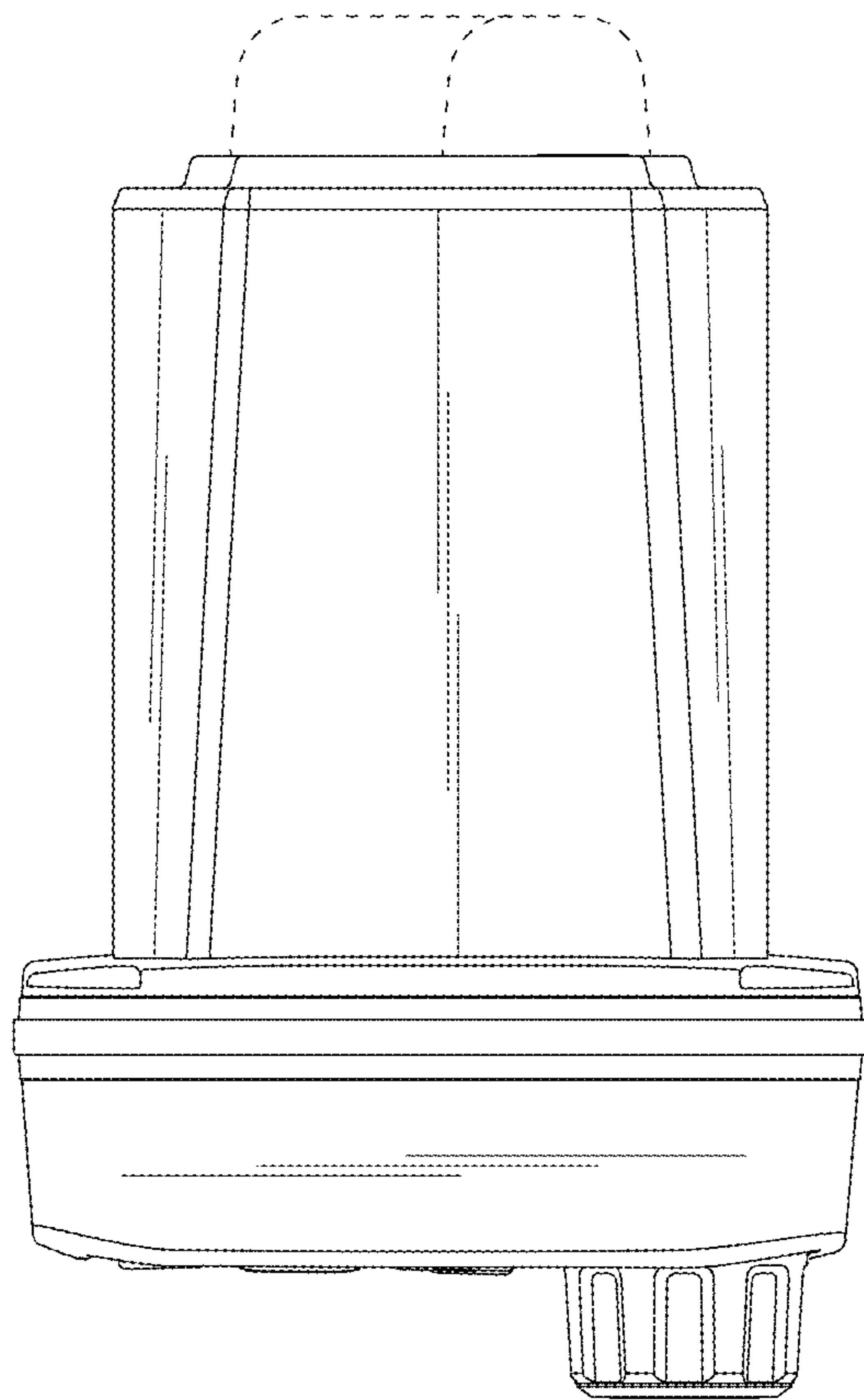


FIG. 5



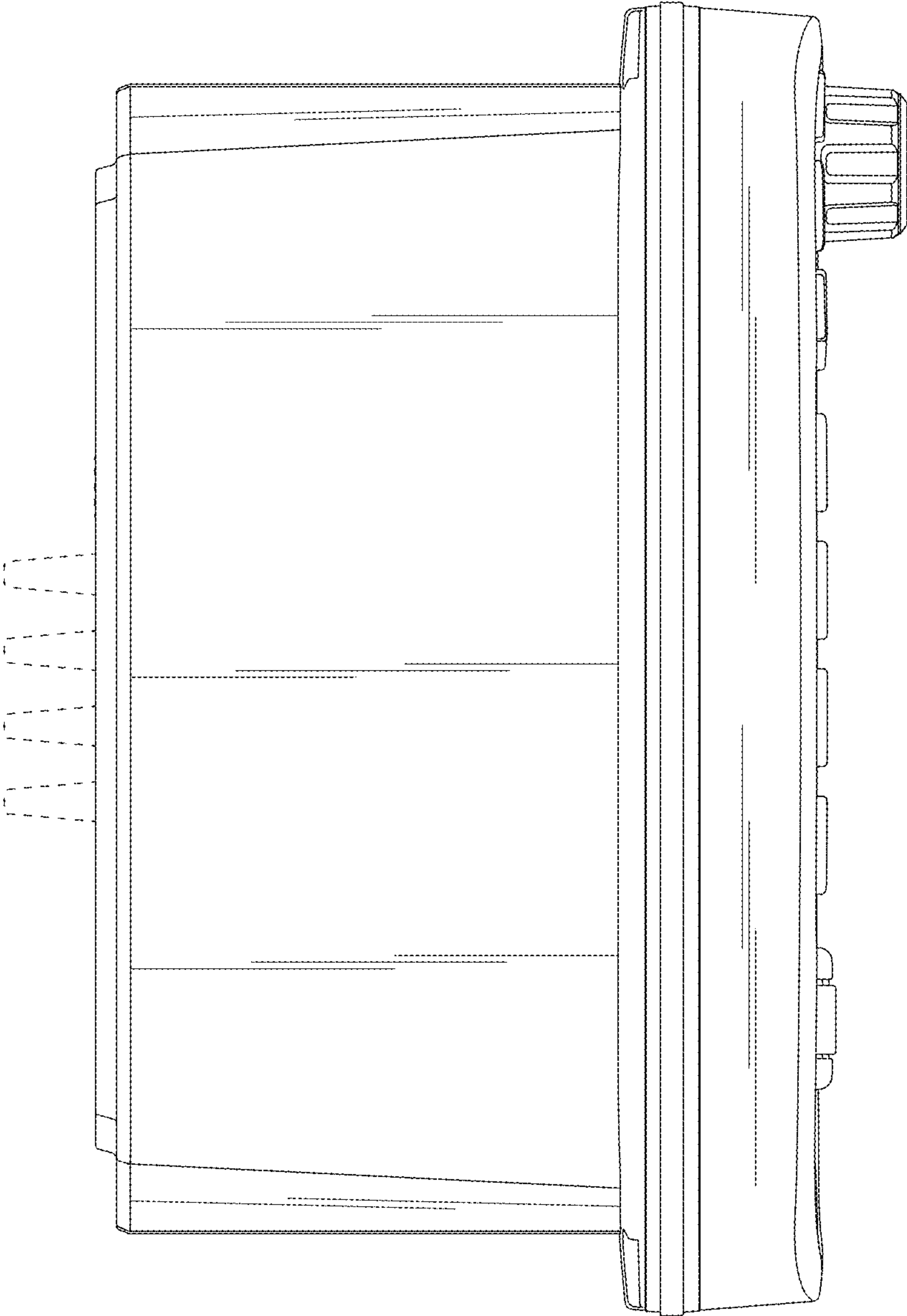


FIG.6

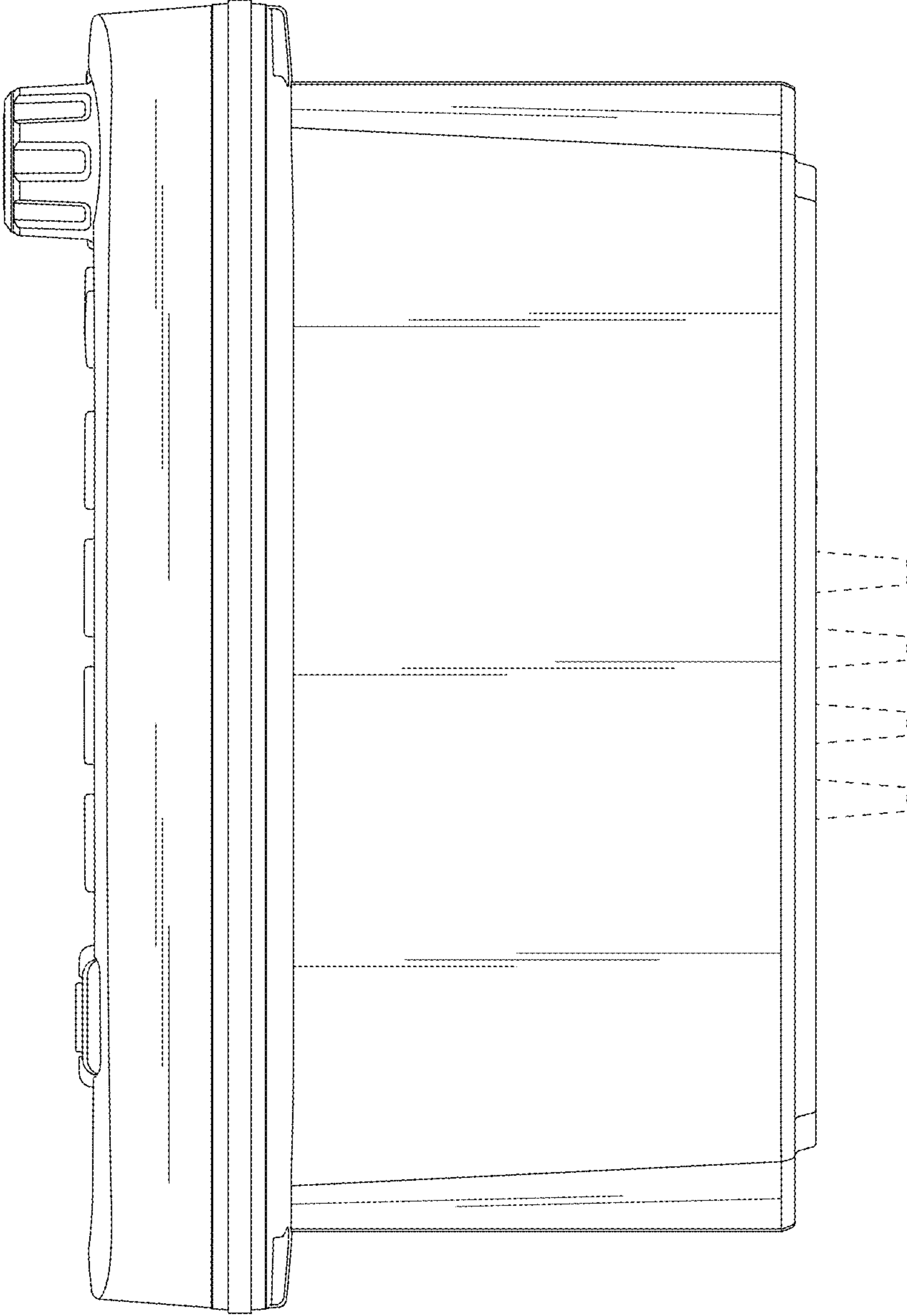


FIG. 7