

US00D874423S

(12) **United States Design Patent** (10) **Patent No.:** **US D874,423 S**
Wu (45) **Date of Patent:** **** Feb. 4, 2020**

(54) **SMART DEVICE**

(71) Applicant: **Bestore Europe Holding GmbH**, Zug (CH)

(72) Inventor: **Wenqiang Wu**, Hubei (CN)

(73) Assignee: **BESTORE EUROPE HOLDING GMBH**, Zug (CH)

(**) Term: **15 Years**

(21) Appl. No.: **29/691,839**

(22) Filed: **May 20, 2019**

Related U.S. Application Data

(63) Continuation of application No. 29/611,613, filed on Jul. 24, 2017, now Pat. No. Des. 854,509.

(51) **LOC (12) Cl.** **14-03**

(52) **U.S. Cl.**
USPC **D14/168**; D14/204; D14/496; D13/108; D13/137.2; D26/52

(58) **Field of Classification Search**

USPC D14/240, 242, 358, 125, 155, 162, 167, D14/168, 172, 188, 195, 203.1, 203.6, D14/203.8, 204, 209.1, 214, 217, 226, D14/299, 496, 300, 302, 314, 348, 351, D14/356, 357, 140.1, 140.2, 432, 433; D13/103, 107, 108, 123, 152, 158, 162, D13/162.1, 163, 168, 184, 199, 139.1, D13/139.2; D10/104.1, 106.1, 106.6, D10/116.1, 61, 64, 75, 106.9, 46, 85, 68; D26/26, 38, 51, 52
CPC H01R 33/92; H01R 13/05; H01R 13/10; H01R 13/24; H01R 13/6675; H01R 13/62; H01R 25/006; H01R 27/02; H01R 31/02; H02J 7/0044; H02J 7/025; H02J 50/10; H04W 88/08; H04W 88/085; H04W 88/00; H04W 88/005; H04W 88/02; H04W 88/12; H04W 88/14; H04W 88/16; H04W 88/18; H04W 4/00

See application file for complete search history.

(56) **References Cited**

U.S. PATENT DOCUMENTS

D119,322 S 3/1940 Punke
D258,577 S * 3/1981 Bottner D13/184
D302,987 S * 8/1989 King D19/75
D314,055 S 1/1991 Ross, Jr. et al.

(Continued)

OTHER PUBLICATIONS

Freecube: Modular USB Power Socket, Bluetooth Speaker, Wireless Charger & Sensor Light in One (by: Avatar Controls). Youtube.com (online video) 0:26/3:21. 1 pg. Published on Sep. 29, 2017. [Retrieved on Sep. 27, 2019] <https://www.youtube.com/watch?v=46P4y7AWCJ0>.*

(Continued)

Primary Examiner — Marie D. Fast Horse

(74) *Attorney, Agent, or Firm* — Novick, Kim & Lee, PLLC; Allen Xue; Hyun Woo Shin

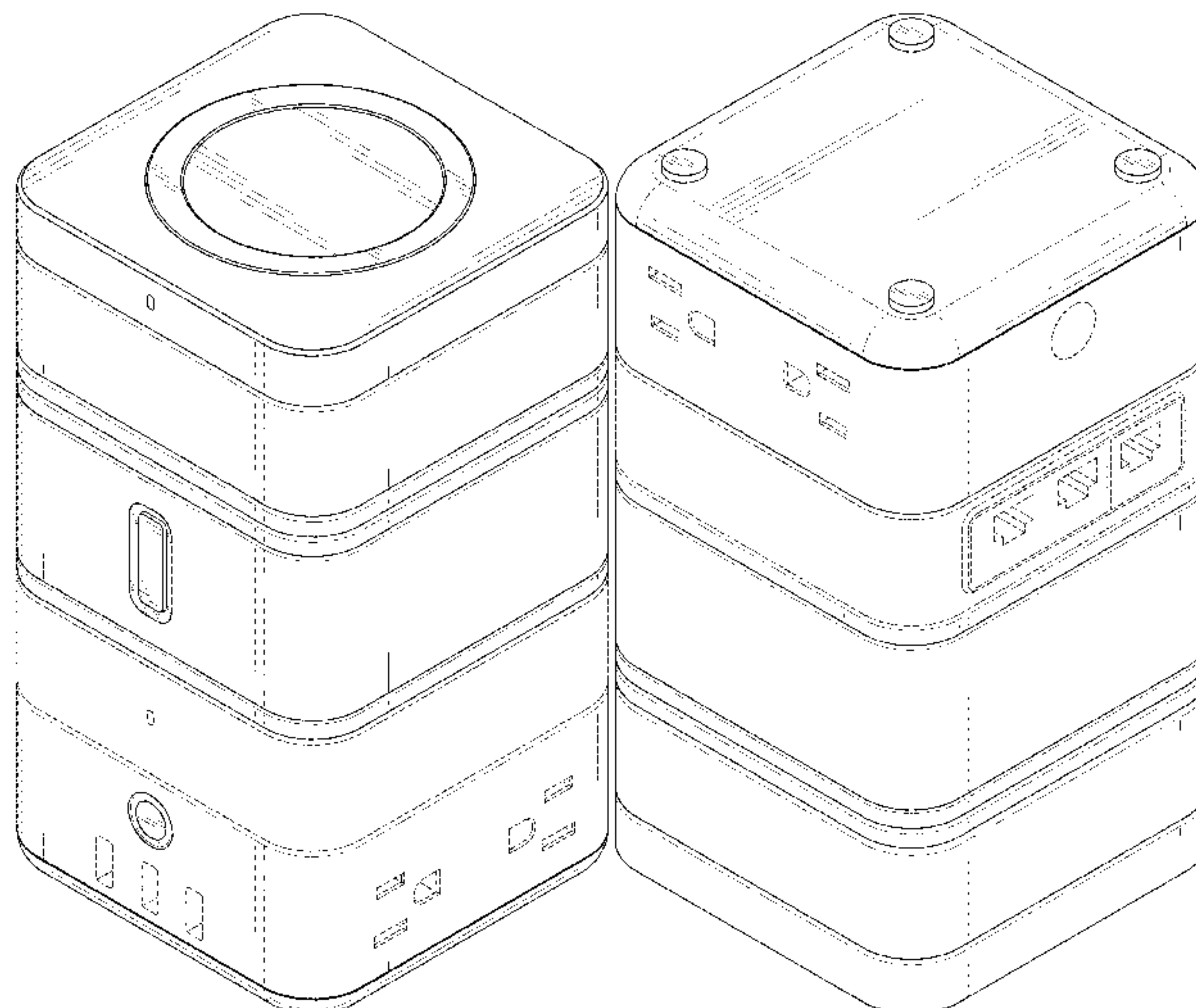
(57) **CLAIM**

I claim the ornamental design for a smart device, as shown and described.

DESCRIPTION

FIG. 1 is a top, front perspective view of a smart device, showing my new design;
FIG. 2 is a bottom, rear perspective view thereof;
FIG. 3 is a front elevational view thereof;
FIG. 4 is a rear elevational view thereof;
FIG. 5 is a right side elevational view thereof, the left side being a mirror image thereof;
FIG. 6 is a top plan view thereof; and,
FIG. 7 is a bottom plan view thereof.
The broken lines in the drawings show portions of the smart device which form no part of the claimed design.

1 Claim, 7 Drawing Sheets



(56)

References Cited

U.S. PATENT DOCUMENTS

D324,376 S 3/1992 Leitermann et al.
 D330,202 S 10/1992 Adiwono
 D365,333 S 12/1995 Mihalik et al.
 D444,451 S * 7/2001 Bailey D13/139.8
 D460,451 S 7/2002 Andre et al.
 D461,187 S 8/2002 Andre et al.
 D504,409 S 4/2005 Kim
 D513,734 S * 1/2006 Aromin D13/139.8
 D520,519 S 5/2006 Chin et al.
 D542,264 S 5/2007 Amid-Hozour
 D544,463 S 6/2007 Harris
 D546,347 S 7/2007 Millora
 D546,813 S 7/2007 Lewis
 D551,652 S 9/2007 Nakamura
 D558,790 S * 1/2008 Yu D14/496
 D560,217 S 1/2008 Adachi
 D563,994 S 3/2008 Liu et al.
 D577,743 S 9/2008 Liu
 D606,962 S 12/2009 Wada
 D624,541 S * 9/2010 Kemery D14/240
 D639,742 S 6/2011 Doucet
 D643,020 S 8/2011 Zhang
 D648,270 S * 11/2011 Jiang D13/103
 D653,208 S * 1/2012 Au D13/108
 D668,143 S 10/2012 Akana et al.
 D671,495 S 11/2012 Zanoni et al.
 D674,342 S * 1/2013 Ho D13/110
 D674,374 S * 1/2013 Roberts D14/217
 D675,190 S 1/2013 Nylen
 D675,986 S 2/2013 Zanoni et al.
 D675,987 S 2/2013 Zanoni et al.
 D676,412 S 2/2013 Holzer
 D690,280 S 9/2013 Schul
 D696,625 S * 12/2013 Lui D13/108
 D702,547 S 4/2014 Akana et al.
 D704,135 S * 5/2014 Stewart D13/108
 D713,405 S 9/2014 Akana et al.
 D714,221 S * 9/2014 Neiser D13/139.8
 D717,732 S * 11/2014 Byrne D13/137.1
 D720,347 S 12/2014 Lo
 D726,107 S 4/2015 Mudge et al.
 D726,654 S * 4/2015 Jung D13/137.2
 D727,360 S * 4/2015 Peng D14/203.1
 D736,709 S * 8/2015 Byrne D13/137.1
 D738,822 S * 9/2015 Stewart D13/108
 D739,355 S * 9/2015 D'Aubeterre D13/139.8
 D740,224 S * 10/2015 Stewart D13/108
 D740,749 S * 10/2015 Stewart D13/108
 D745,426 S * 12/2015 Heath D10/106.1
 D753,063 S 4/2016 Gelonese et al.
 D755,127 S * 5/2016 Wong D13/137.2
 D757,710 S 5/2016 Donach et al.
 D765,071 S 8/2016 Sun et al.
 D769,941 S 10/2016 Srivatsan
 D776,056 S * 1/2017 Block D13/137.2
 D786,791 S 5/2017 Jeong et al.
 D789,352 S * 6/2017 Kong D14/314
 D791,123 S 7/2017 Wieser et al.
 D794,018 S 8/2017 Basil
 D796,432 S * 9/2017 Liu D13/107

D796,433 S * 9/2017 Langhammer D13/108
 D798,339 S * 9/2017 Yang D14/203.1
 D799,588 S 10/2017 Nanno et al.
 D800,820 S * 10/2017 Bergman D16/237
 D804,460 S 12/2017 Li
 D807,298 S * 1/2018 Xu D13/139.8
 D807,841 S 1/2018 Lee et al.
 D811,338 S 2/2018 Zhu
 D811,345 S * 2/2018 Takano D13/147
 D813,208 S 3/2018 Nie
 D815,076 S 4/2018 Shin
 D815,149 S 4/2018 Langhammer et al.
 D815,610 S 4/2018 Lee
 D817,922 S 5/2018 Hong et al.
 D817,927 S 5/2018 McManigal et al.
 D818,448 S 5/2018 Wang
 D824,346 S 7/2018 Kim et al.
 D824,347 S 7/2018 Kim et al.
 D824,385 S 7/2018 Peiker
 D825,551 S 8/2018 Akana et al.
 D826,163 S 8/2018 Xu
 D826,205 S 8/2018 Langhammer et al.
 D826,206 S 8/2018 Elmieh et al.
 D826,757 S * 8/2018 Thornton D10/106.1
 D826,938 S 8/2018 Son et al.
 10,084,272 B1 * 9/2018 Hayes H01R 27/02
 D832,784 S 11/2018 Zhao et al.
 D832,786 S 11/2018 Zhu
 D833,414 S 11/2018 Brennan et al.
 D835,035 S * 12/2018 Nauroy D14/356
 D835,580 S * 12/2018 Xiong D13/110
 D836,083 S 12/2018 Elmieh et al.
 D836,619 S 12/2018 Yokoyama
 D837,182 S 1/2019 Elmieh et al.
 D838,245 S * 1/2019 Lin D13/137.2
 D838,886 S 1/2019 Chen
 D841,591 S * 2/2019 Byrne D13/139.4
 D842,804 S * 3/2019 Tong D13/108
 D846,497 S * 4/2019 Clark D13/108
 D848,406 S * 5/2019 Pera D14/242
 D854,018 S * 7/2019 Liao D14/434
 D854,509 S * 7/2019 Wu D14/168
 10,340,645 B2 * 7/2019 Wu H02J 7/0044
 D855,563 S * 8/2019 Brennan D13/108
 D855,564 S * 8/2019 Brennan D13/108
 D859,415 S * 9/2019 Liao D14/434
 2014/0335919 A1 * 11/2014 Stewart H02J 7/0042
 455/573
 2016/0302320 A1 10/2016 Kim et al.
 2018/0092230 A1 3/2018 Hsu
 2018/0205193 A1 7/2018 Wu
 2018/0233846 A1 * 8/2018 Hirsch H01R 4/2404
 2019/0273349 A1 * 9/2019 Wu H01R 13/05

OTHER PUBLICATIONS

Smart devices. (Design—© Questel) orbit.com[online PDF] 45 pgs.
 Print Dates range Sep. 5, 2006 through Jan. 18, 2017 [Retrieved on
 Nov. 21, 2018] <https://sobjprd.questel.fr/export/QPTUJ214/pdf2/4620e25e-560e-4ccb-a846-dfc3f1a24b49-204539.pdf>.

* cited by examiner

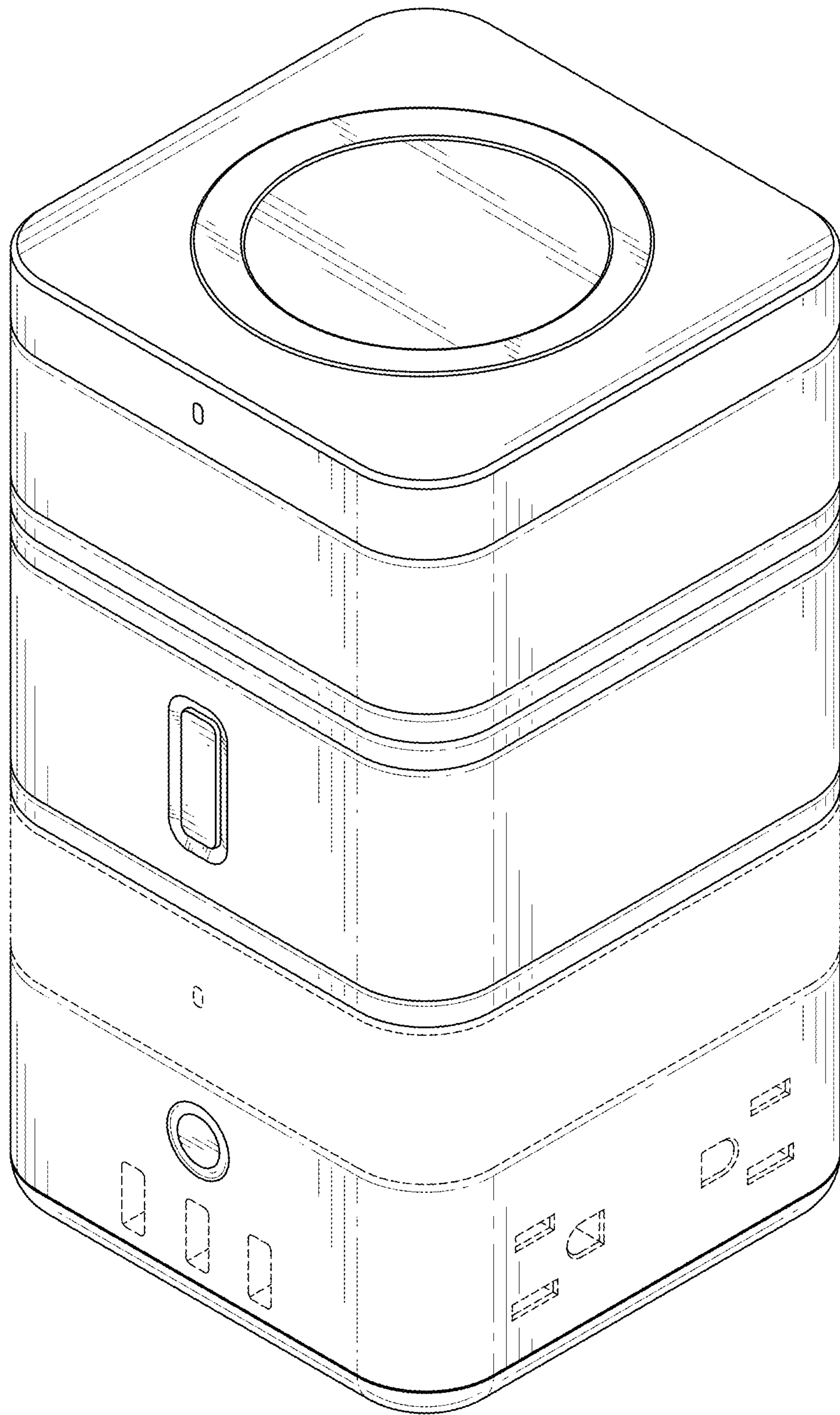


FIG. 1

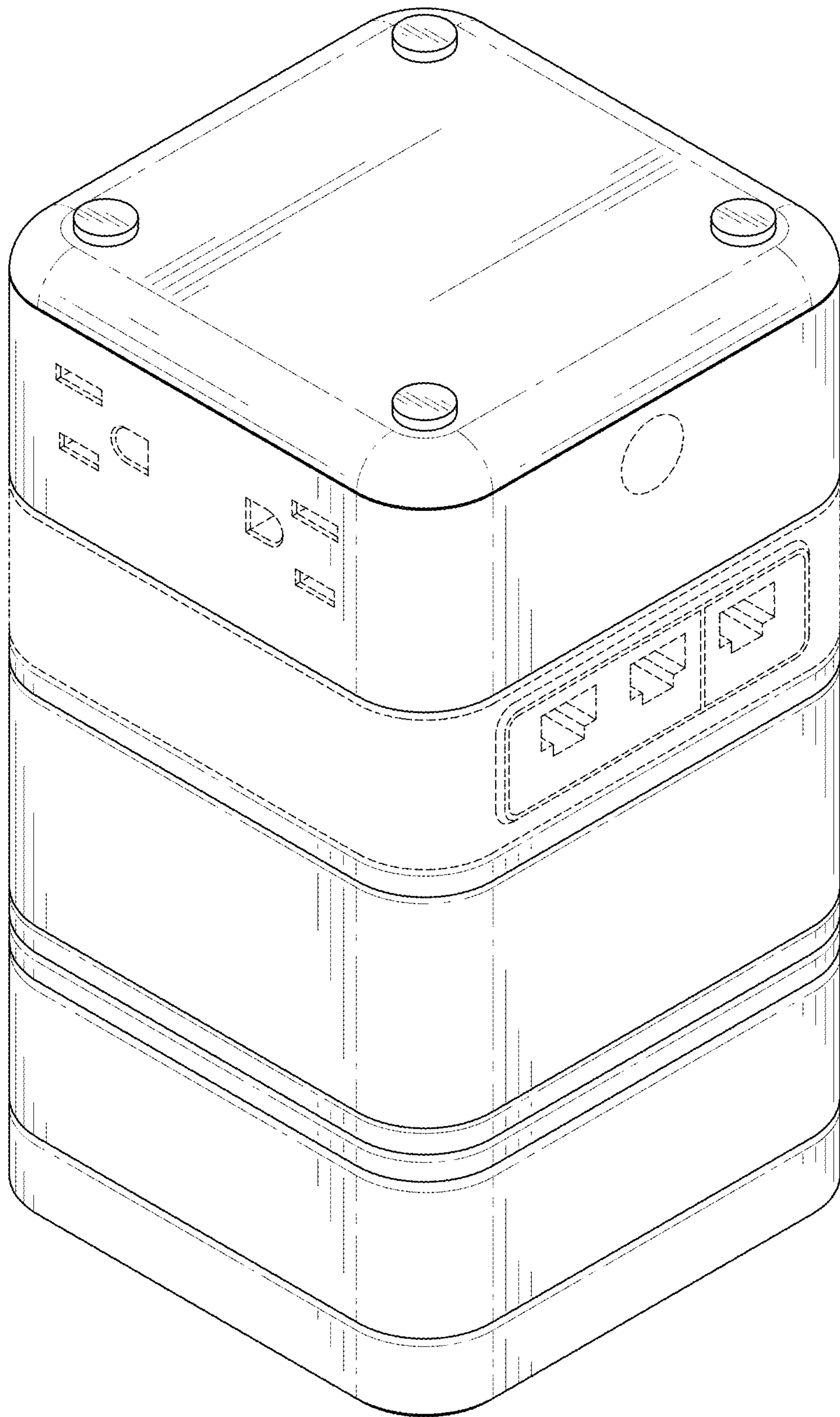


FIG. 2

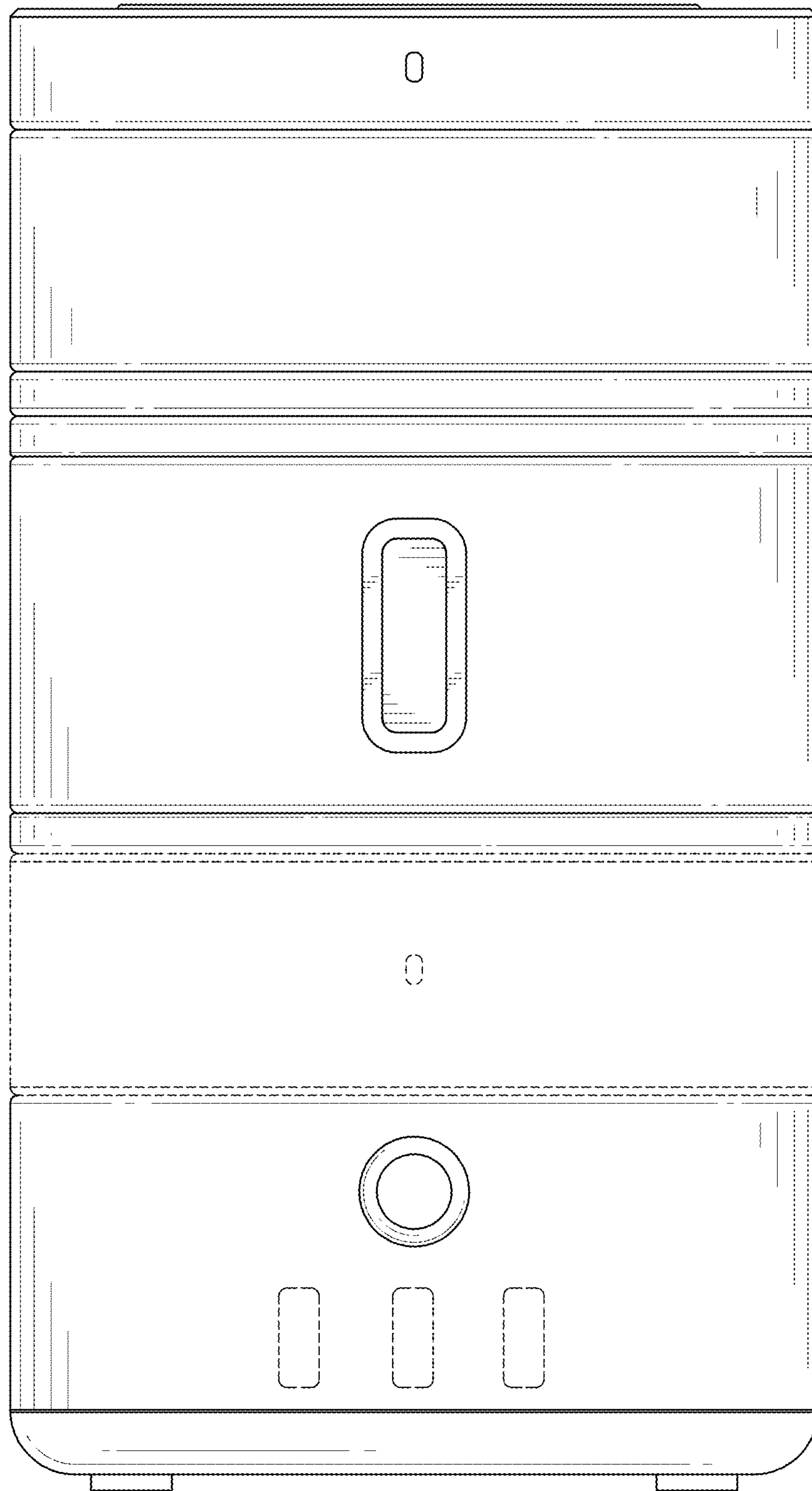


FIG. 3

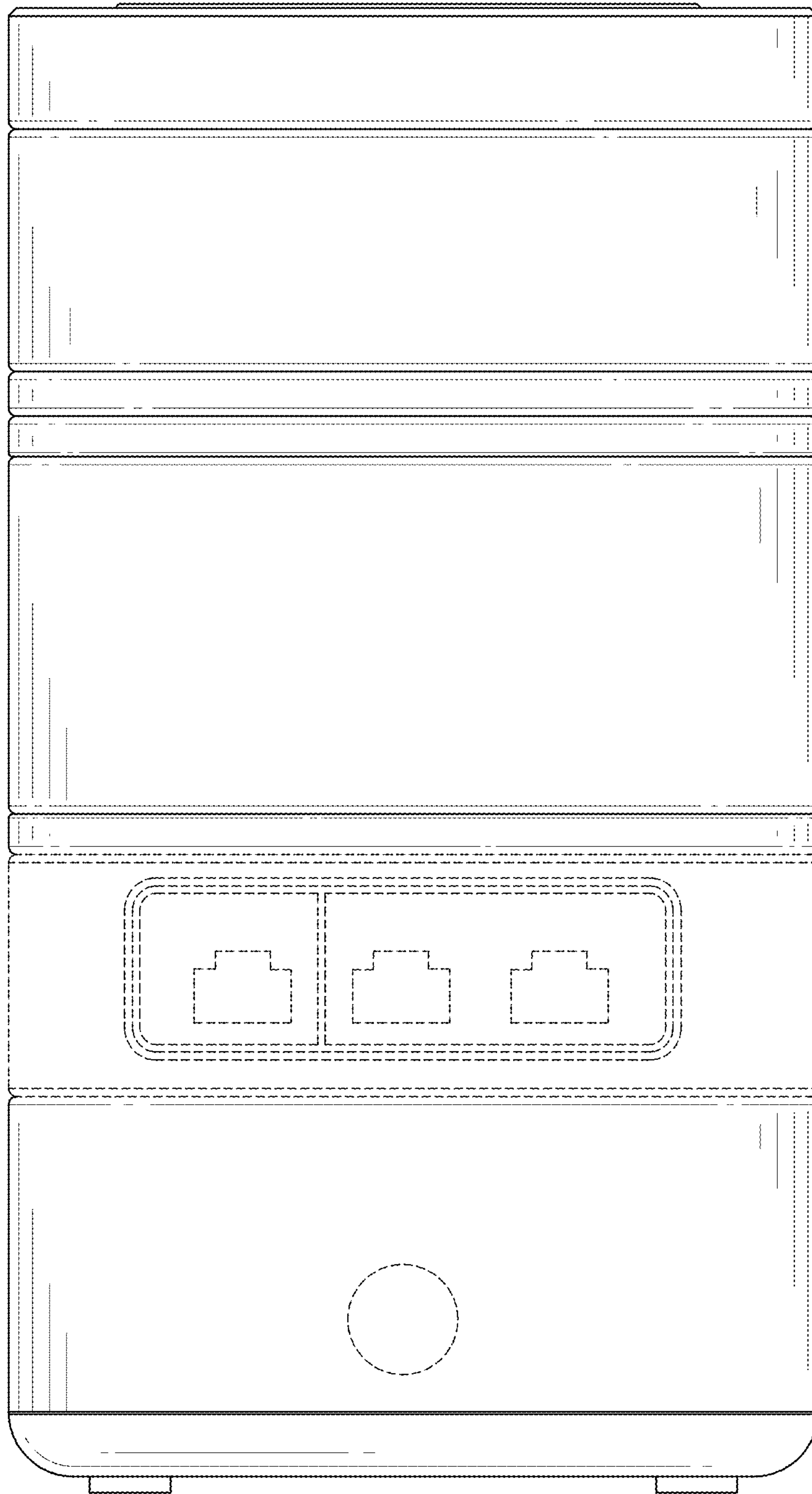


FIG. 4

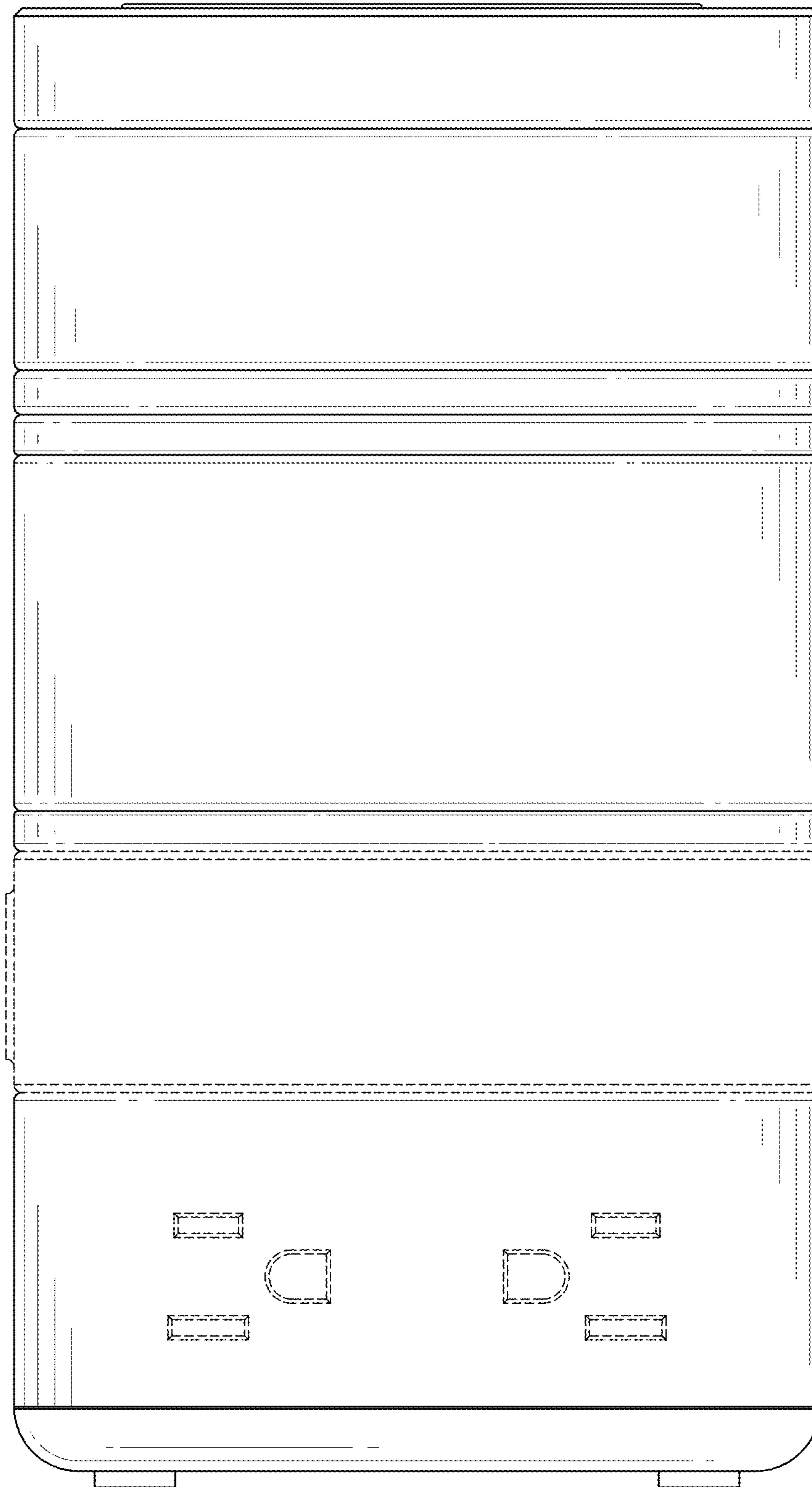


FIG. 5

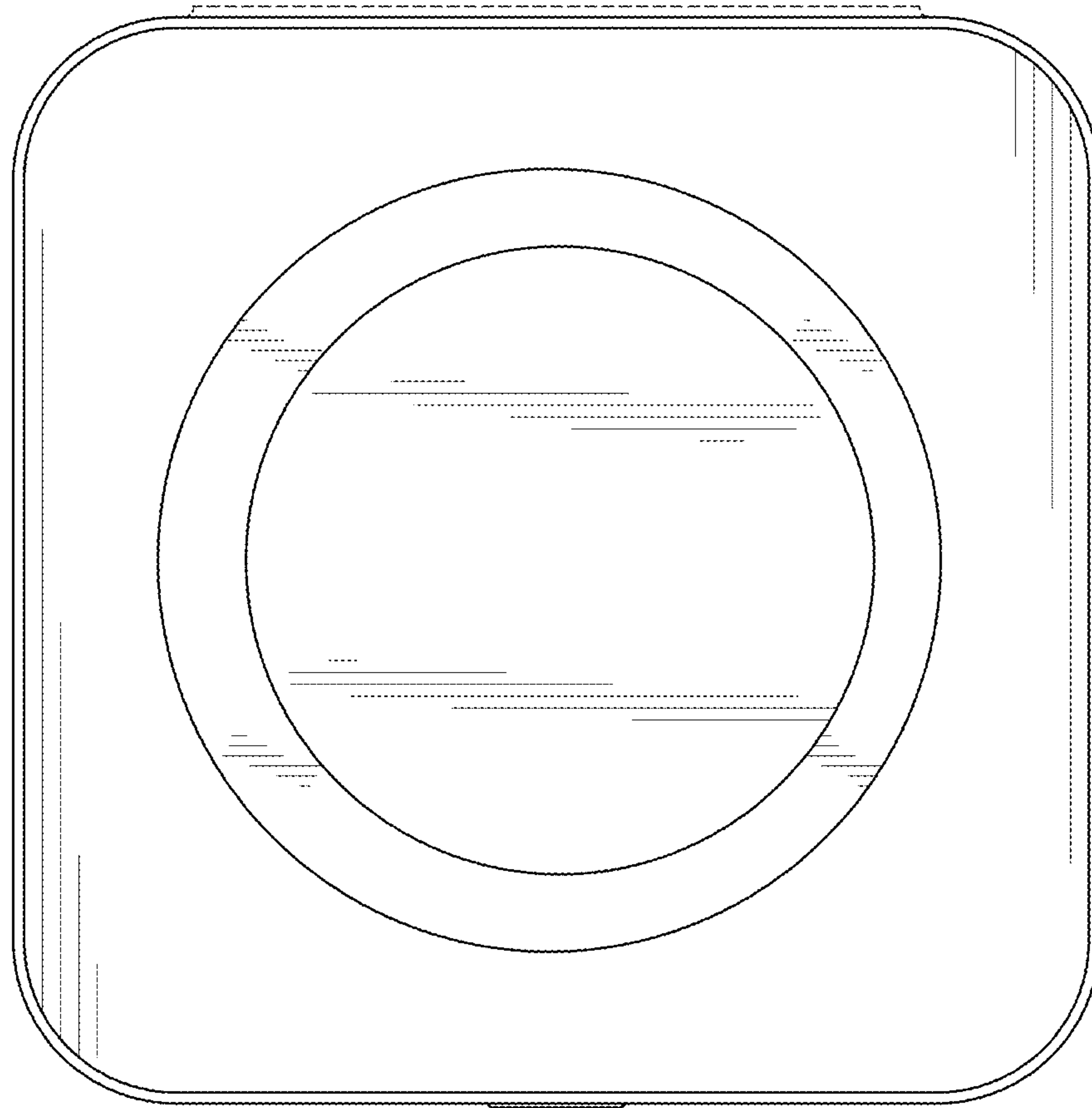


FIG. 6

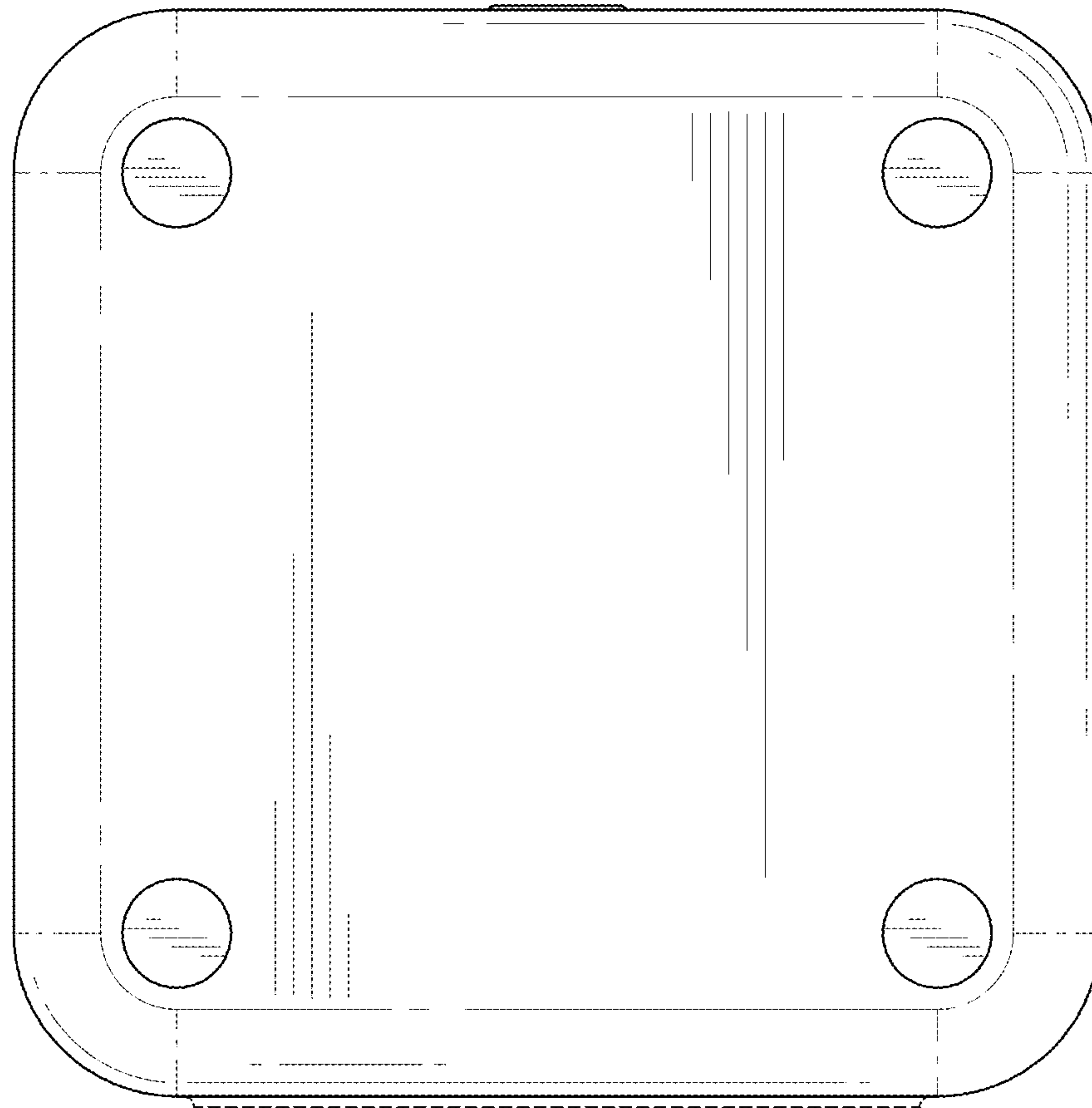


FIG. 7