



US00D874422S

(12) **United States Design Patent**
Yang

(10) **Patent No.:** **US D874,422 S**

(45) **Date of Patent:** **** Feb. 4, 2020**

(54) **BASE UNIT FOR A COMMUNICATIONS DEVICE**

(71) Applicant: **Plantronics, Inc.**, Santa Cruz, CA (US)

(72) Inventor: **Joseph W. Yang**, San Jose, CA (US)

(73) Assignee: **Plantronics, Inc.**, Santa Cruz, CA (US)

(**) Term: **15 Years**

(21) Appl. No.: **29/639,459**

(22) Filed: **Mar. 6, 2018**

(51) **LOC (12) Cl.** **14-03**

(52) **U.S. Cl.**
USPC **D14/150**

(58) **Field of Classification Search**

USPC ... D14/140, 140.1, 140.7, 140.8, 141.2, 142, D14/144, 147, 148, 149, 150, 151, 158, D14/159, 188, 217, 240, 243, 247, 248, D14/251, 299, 329, 462, 467, 471, 130, D14/403, 338, 336, 223, 224; D21/517; D24/165; D13/107, 108
CPC H04M 1/00; H04M 1/003; H04M 1/02; H04M 1/0289; H04M 1/0297; H04M 1/0214; H04M 1/03; H04M 1/23; H04M 1/253; H04M 1/2535; H04M 1/06; H04M 1/08; H04M 7/006

See application file for complete search history.

(56) **References Cited**

U.S. PATENT DOCUMENTS

D291,567 S *	8/1987	Read	D14/149
D294,694 S *	3/1988	Steward	D14/130
D299,030 S *	12/1988	Menn	D14/151
D301,475 S *	6/1989	Nagele	D14/142
D303,522 S *	9/1989	Meda	D14/329
D304,726 S *	11/1989	Brooks	D14/149
D305,537 S *	1/1990	Gilmore	D14/142

D307,009 S *	4/1990	Boykiw	D14/149
D317,446 S *	6/1991	Vossoughi	D14/374
D322,777 S *	12/1991	Nishio	D14/314
D323,657 S *	2/1992	Danielson	379/368
D345,972 S *	4/1994	Grewe	D14/130
D365,560 S *	12/1995	Buchin	D14/151
D426,816 S *	6/2000	Lucente	D14/336
D482,674 S *	11/2003	Rath	D14/206
D500,022 S *	12/2004	Rath	D14/206
D519,975 S *	5/2006	Skulley	D13/108
D529,477 S *	10/2006	Hsu	D14/151
D554,116 S *	10/2007	Liu	D13/108
D555,630 S *	11/2007	Udagawa	D14/149
D556,180 S *	11/2007	Udagawa	D14/149
D565,020 S *	3/2008	Daly	D14/149
D576,998 S *	9/2008	Furuno	D14/151
D581,897 S *	12/2008	Katori	D14/151
D597,057 S *	7/2009	Sheppard	D14/142
D597,058 S *	7/2009	Sheppard	D14/142
D598,002 S *	8/2009	Sheppard	D14/142
D602,008 S *	10/2009	Bentley	D14/205

(Continued)

Primary Examiner — Marie D. Fast Horse

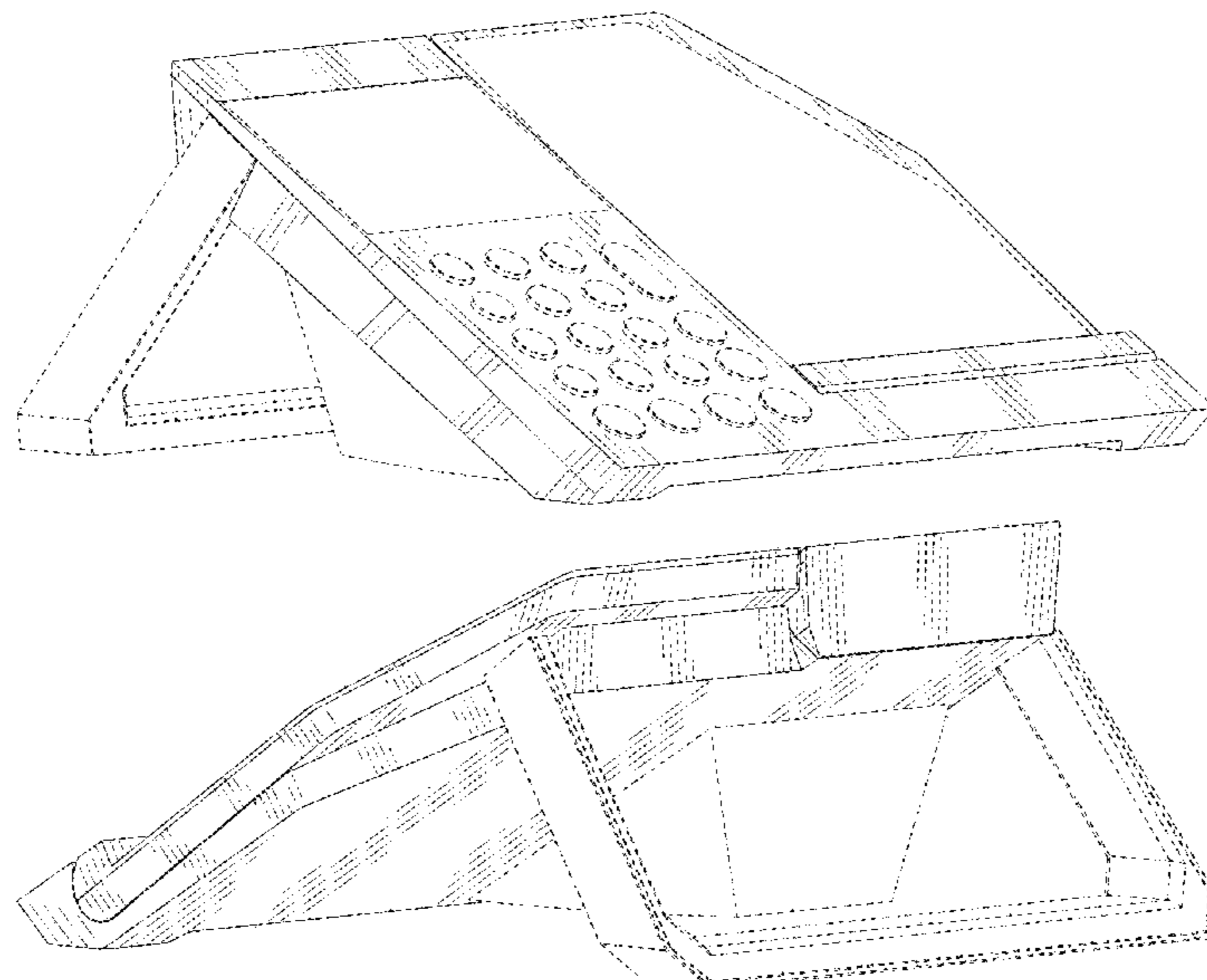
(57) **CLAIM**

The ornamental design for a base unit for a communications device, as shown and described.

DESCRIPTION

FIG. 1 is a front-top-left perspective view of a base unit for a communications device showing my new design; FIG. 2 is a back-bottom-right perspective view thereof; FIG. 3 is a front view thereof; FIG. 4 is a back view thereof; FIG. 5 is a right side view thereof; FIG. 6 is a left side view thereof; FIG. 7 is a top view thereof; and, FIG. 8 is a bottom view thereof. The broken lines depict portions of the base unit for a communications device that form no part of the claimed design.

1 Claim, 8 Drawing Sheets



(56)

References Cited

U.S. PATENT DOCUMENTS

D609,662 S * 2/2010 Noreng D14/130
 D609,686 S * 2/2010 Robinson D14/149
 D615,515 S * 5/2010 Hwang D14/130
 D616,843 S * 6/2010 Jones D14/130
 D620,464 S * 7/2010 Quiros D14/130
 D624,530 S * 9/2010 Hoggarth D14/224
 D629,381 S * 12/2010 Verthein D14/142
 D643,825 S * 8/2011 Hwang D14/130
 D652,816 S * 1/2012 Compoginis D14/151
 D653,646 S * 2/2012 Hovdal D14/142
 D657,773 S * 4/2012 Corsini D14/151
 D658,627 S * 5/2012 Katori D14/130
 D663,292 S * 7/2012 Hoggarth D14/224
 D669,888 S * 10/2012 Gougherty D14/223
 D675,592 S * 2/2013 Fuxen D14/151
 D676,016 S * 2/2013 Akatsu D14/142
 D686,183 S * 7/2013 Basart D14/151
 D686,184 S * 7/2013 Takahata D14/151
 D714,262 S * 9/2014 Lin D14/142

8,838,029 B2 * 9/2014 Goldman H04M 1/04
 455/41.2
 D723,502 S * 3/2015 Chun D14/130
 D738,845 S * 9/2015 Kwak D14/151
 D739,373 S * 9/2015 Hillenmayer D14/144
 D748,597 S * 2/2016 Boynton D14/188
 D757,677 S * 5/2016 Hutt D14/151
 D765,623 S * 9/2016 Yang D14/224
 D767,527 S * 9/2016 Hillenmayer D14/140.8
 D772,836 S * 11/2016 Engelke D14/151
 9,548,617 B2 * 1/2017 Toh H04M 1/04
 D784,283 S * 4/2017 Snyder D14/144
 D785,591 S * 5/2017 Kwak D14/151
 9,762,709 B1 * 9/2017 Snyder H04M 1/02
 2009/0283655 A1 * 11/2009 Fukuda H04M 1/0297
 248/454
 2009/0309002 A1 * 12/2009 Shimotoso H04M 1/0297
 248/397
 2014/0064477 A1 * 3/2014 Chiang H04M 1/06
 379/436

* cited by examiner

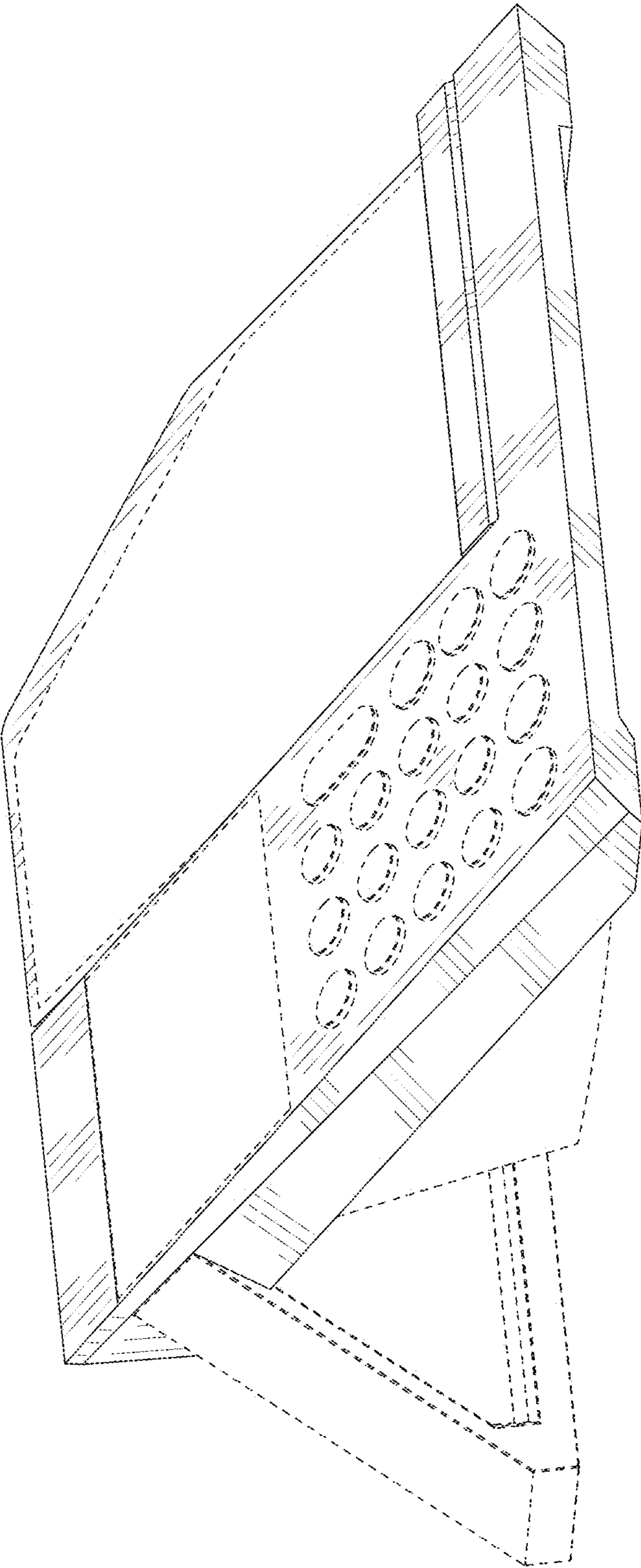


FIG. 1

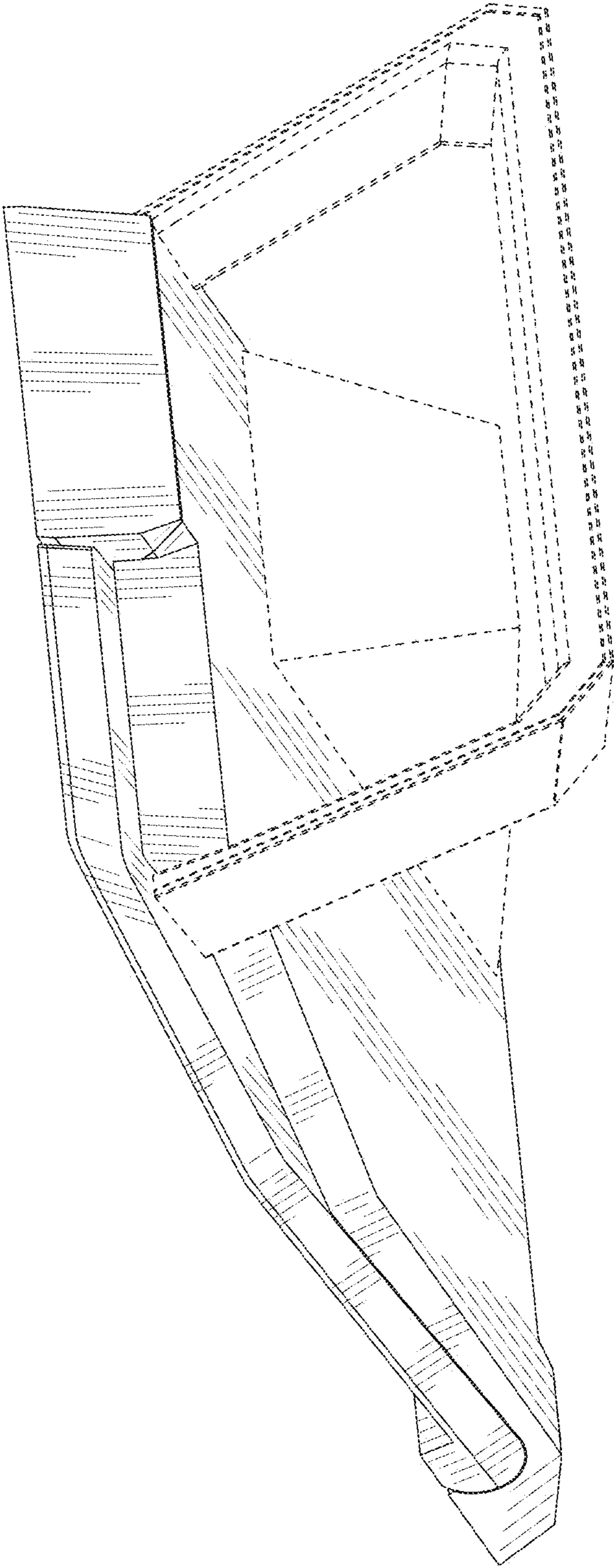


FIG. 2

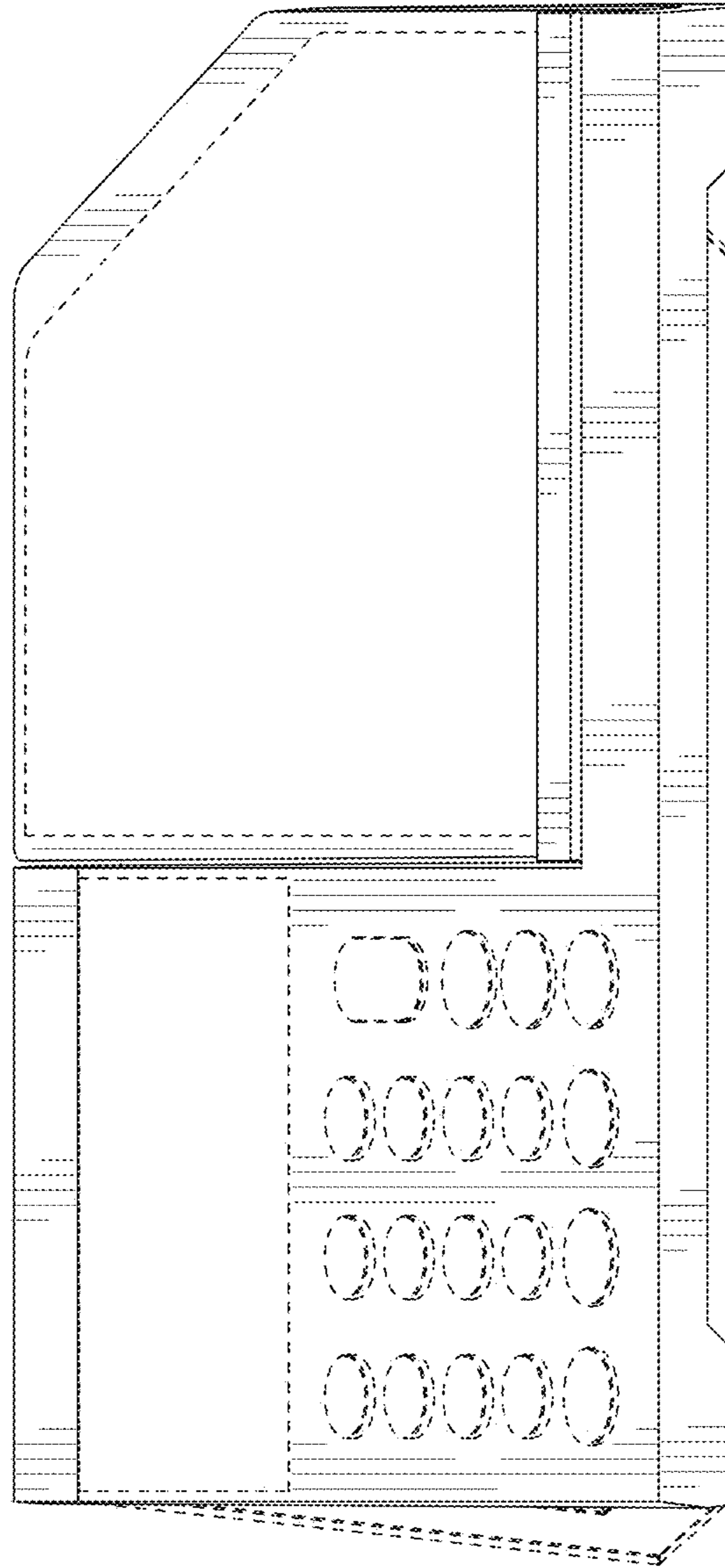


FIG. 3

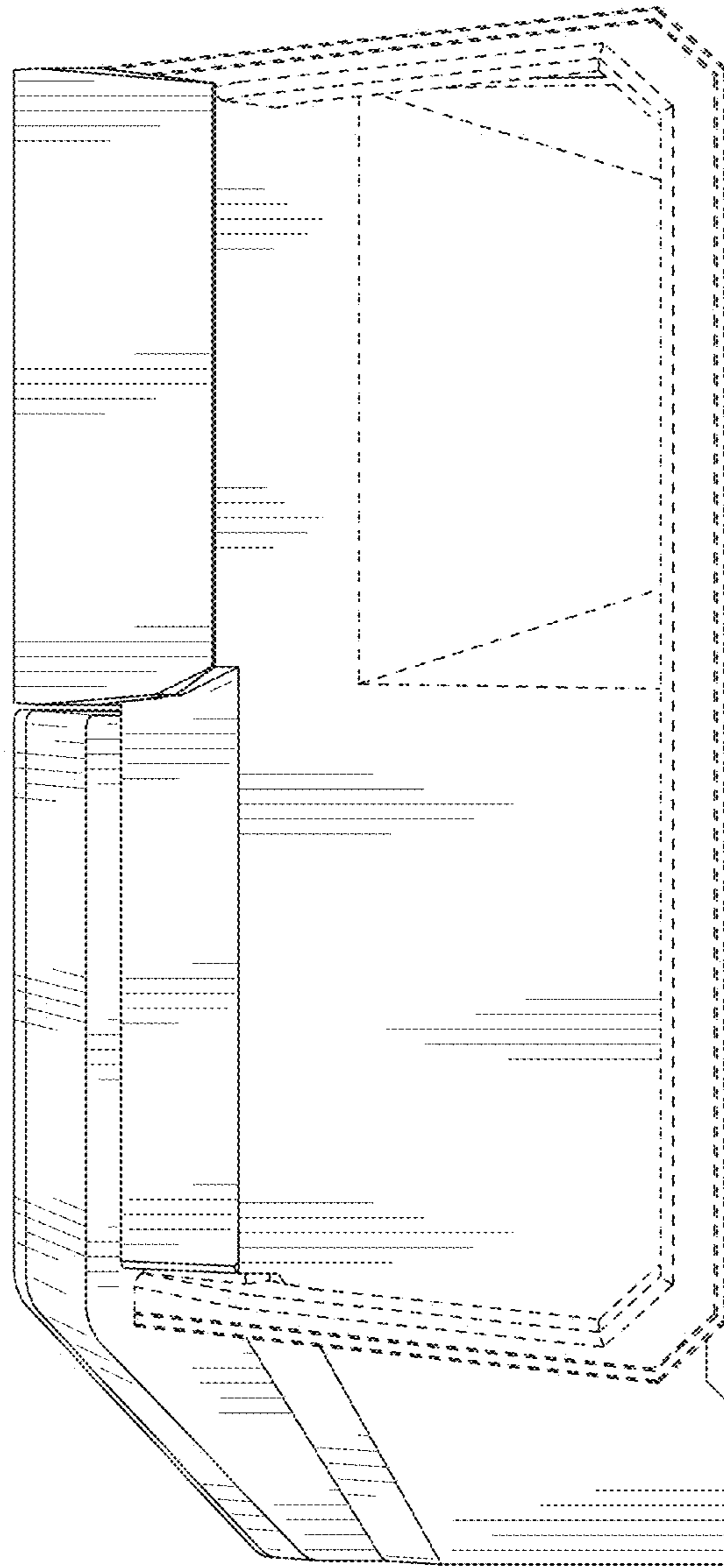


FIG. 4

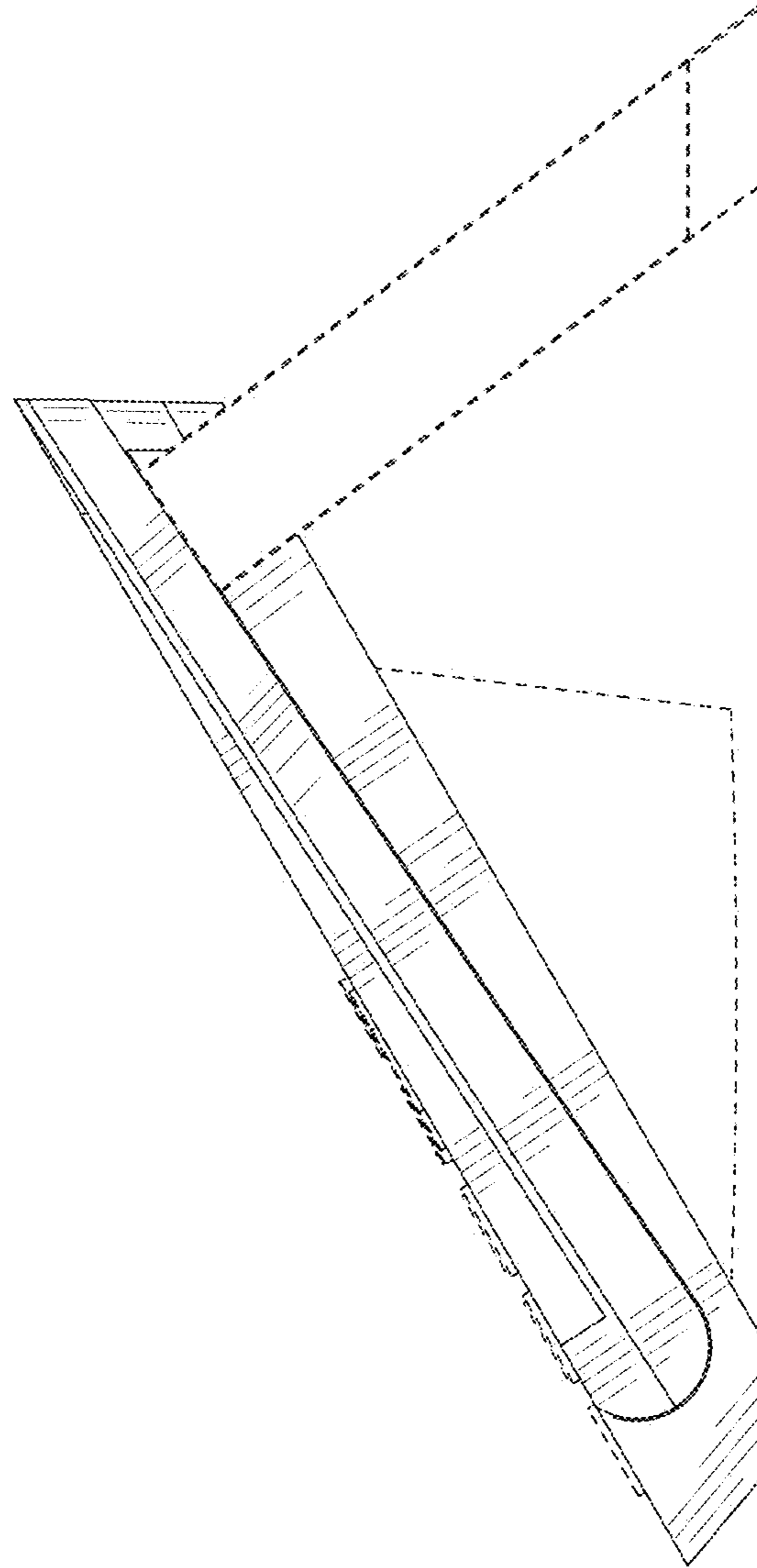


FIG. 5

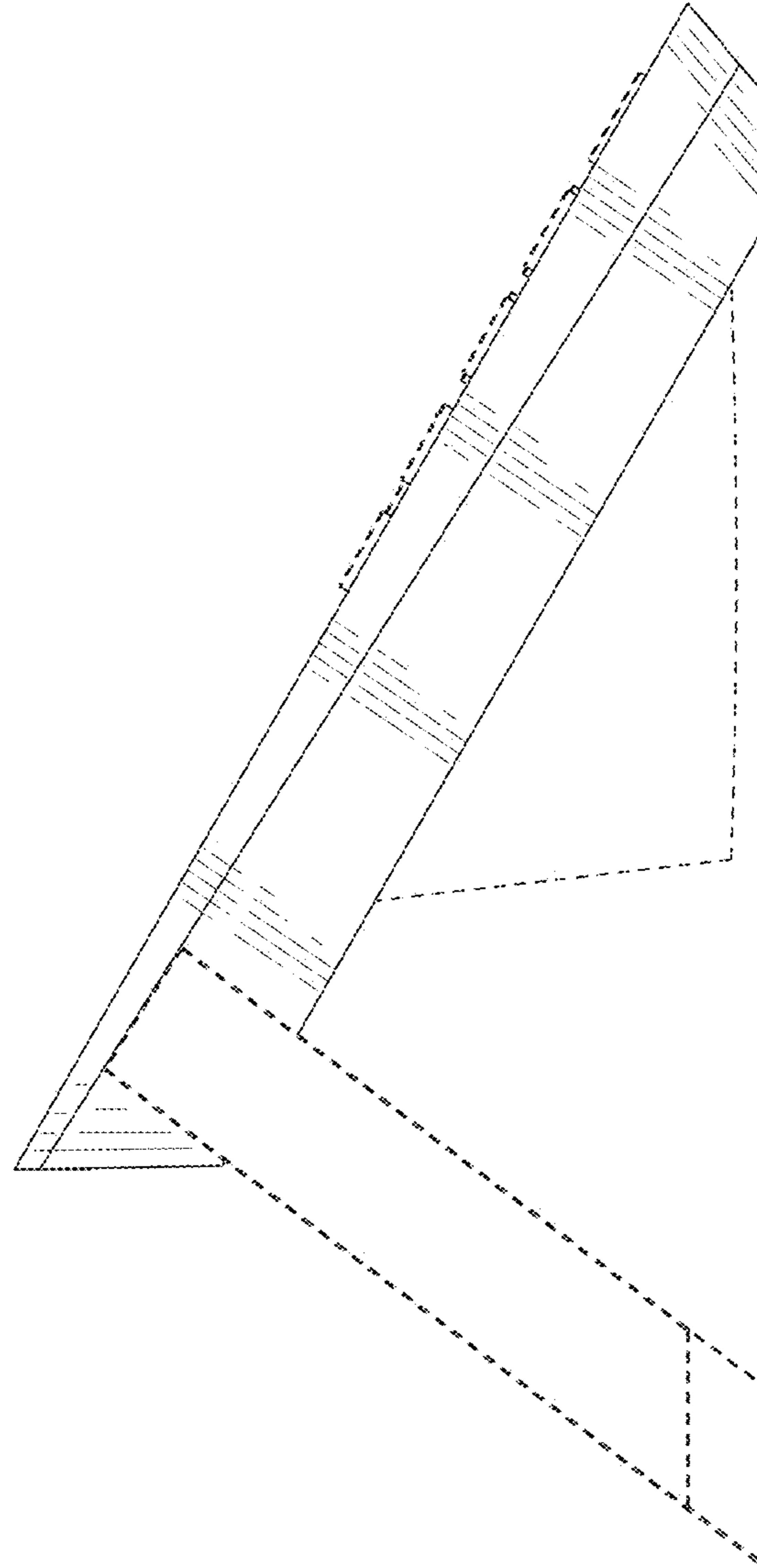


FIG. 6

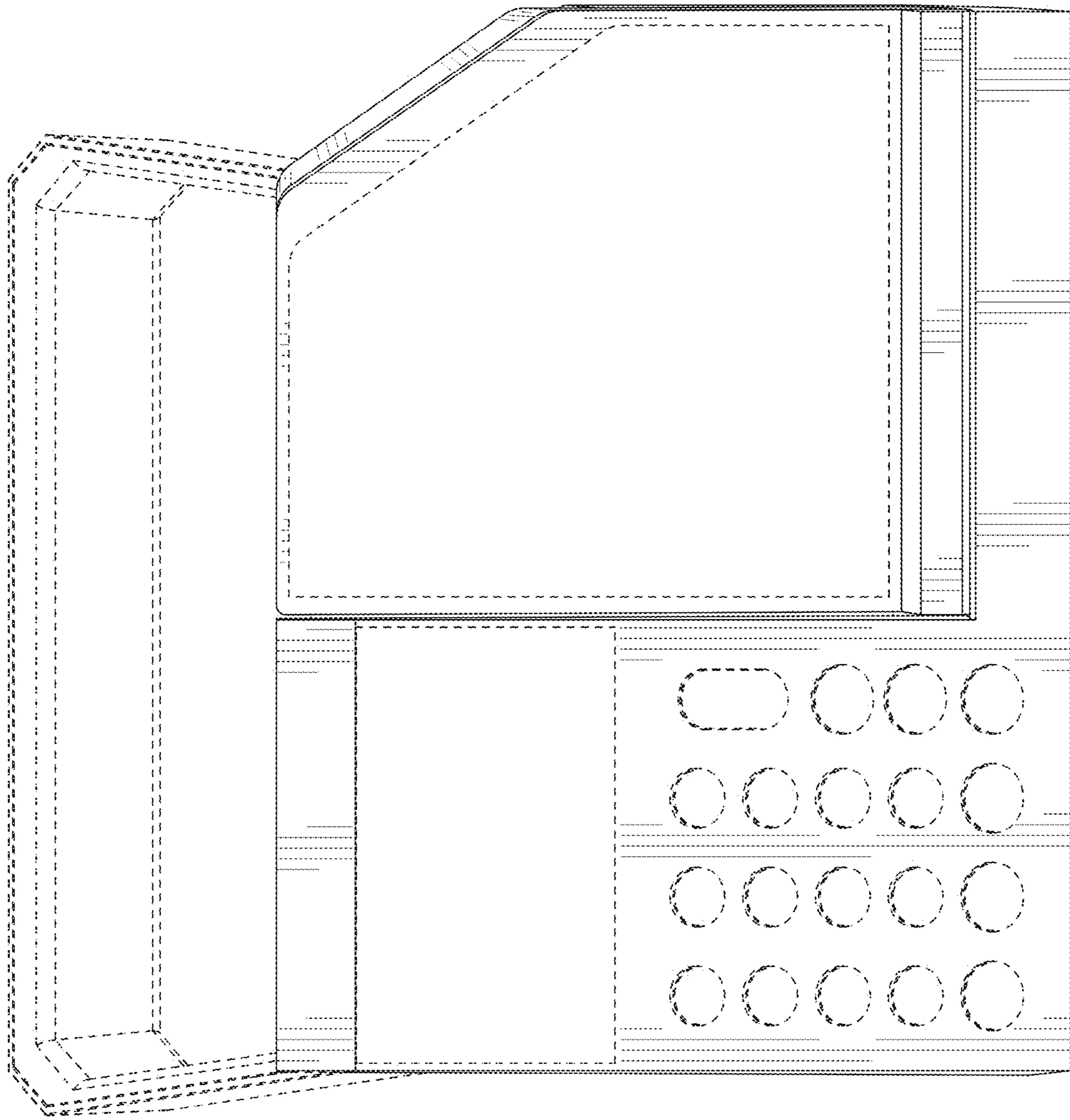


FIG. 7

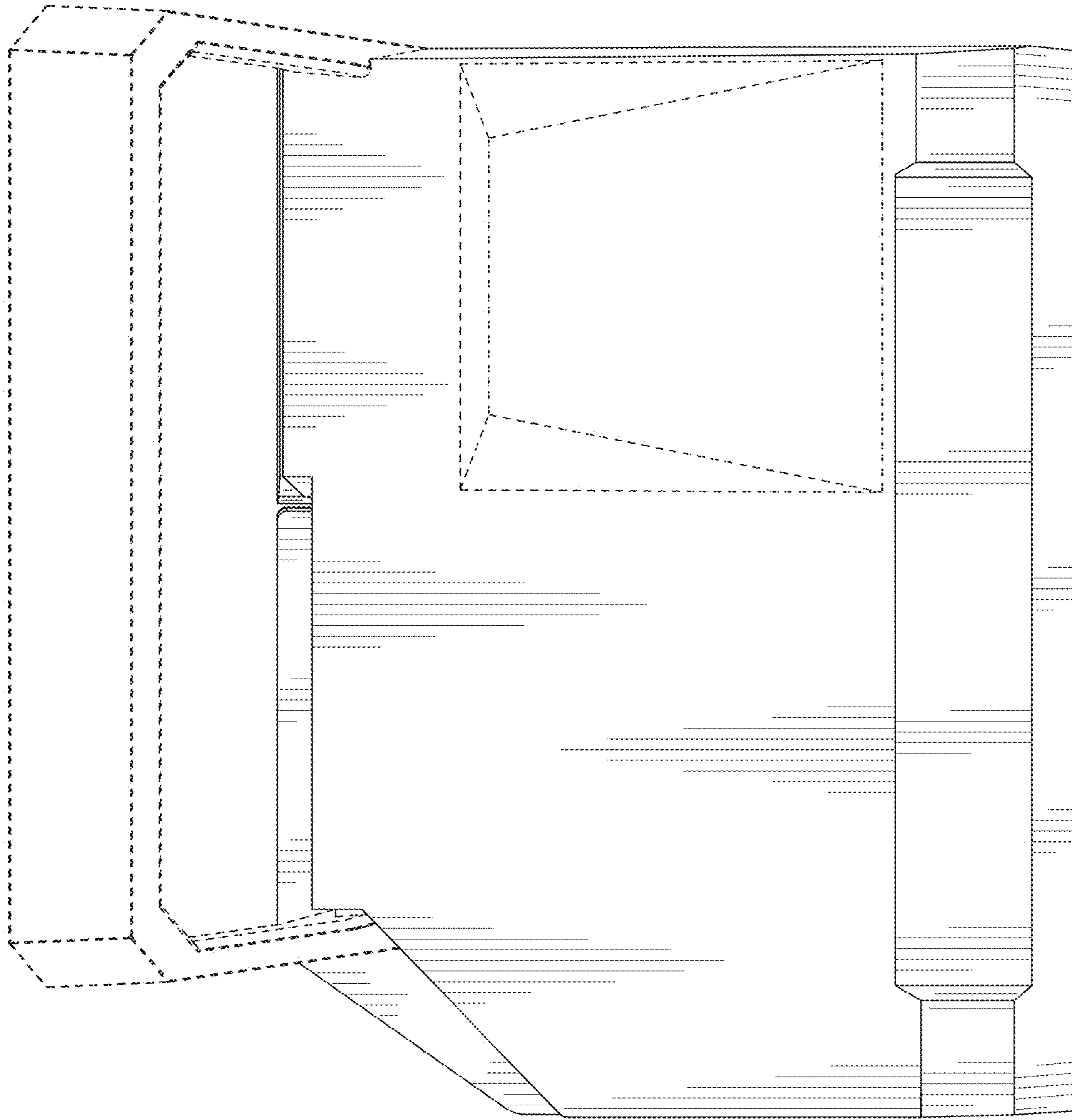


FIG. 8