



US00D874421S

(12) **United States Design Patent** (10) **Patent No.:** **US D874,421 S**
Snyder et al. (45) **Date of Patent:** **** Feb. 4, 2020**

(54) **SPEAKER PHONE**
(71) Applicant: **Cisco Technology, Inc.**, San Jose, CA (US)
(72) Inventors: **Ian Matthew Snyder**, San Francisco, CA (US); **Matthew M. U. Cho**, Fremont, CA (US); **Morgan Davis Teachworth**, Campbell, CA (US)
(73) Assignee: **CISCO TECHNOLOGY, INC.**, San Jose, CA (US)
(**) Term: **15 Years**
(21) Appl. No.: **29/679,688**
(22) Filed: **Feb. 8, 2019**

Related U.S. Application Data

(62) Division of application No. 29/611,675, filed on Jul. 24, 2017, now Pat. No. Des. 845,264.
(51) **LOC (12) Cl.** **14-03**
(52) **U.S. Cl.**
USPC **D14/149**; D14/216
(58) **Field of Classification Search**
USPC D14/140, 140.1, 141.1, 142, 144, 147, D14/149, 150, 155, 168, 172, 204, 206, D14/209.1, 212, 213, 248, 249, 299, 496, D14/226, 356, 358, 432, 454, 192, 221, D14/127-130, 216; D10/104.1, 106.1, D10/106.3, 106.5
CPC H04M 1/00; H04M 1/04; H04M 1/6033; H04M 1/60041; H04M 3/56; H04M 3/564; H04M 3/568; H04M 9/02; H04M 9/022; H04M 9/08; H04R 1/00; H04R 1/04; H04R 1/026; H04R 27/00; H04R 3/02; H04R 3/005

See application file for complete search history.

(56) **References Cited**
U.S. PATENT DOCUMENTS

D254,007 S	1/1980	Hampf
D361,998 S	9/1995	Murakami
D454,110 S	3/2002	Andre et al.
D484,114 S	12/2003	Gansterer
D511,510 S	11/2005	Beasley
D519,490 S	4/2006	Komiyama
D519,491 S	4/2006	Allen
D526,990 S	8/2006	Slevin et al.
D537,806 S	3/2007	Beasley et al.
D555,636 S	11/2007	Chen et al.
D561,731 S	2/2008	Beasley et al.
D577,002 S	9/2008	Kurihara
D594,002 S	6/2009	Kettula
D676,414 S	2/2013	Holzer
D695,268 S	12/2013	Holzer

(Continued)

Primary Examiner — Marie D. Fast Horse
(74) *Attorney, Agent, or Firm* — Polsinelli PC

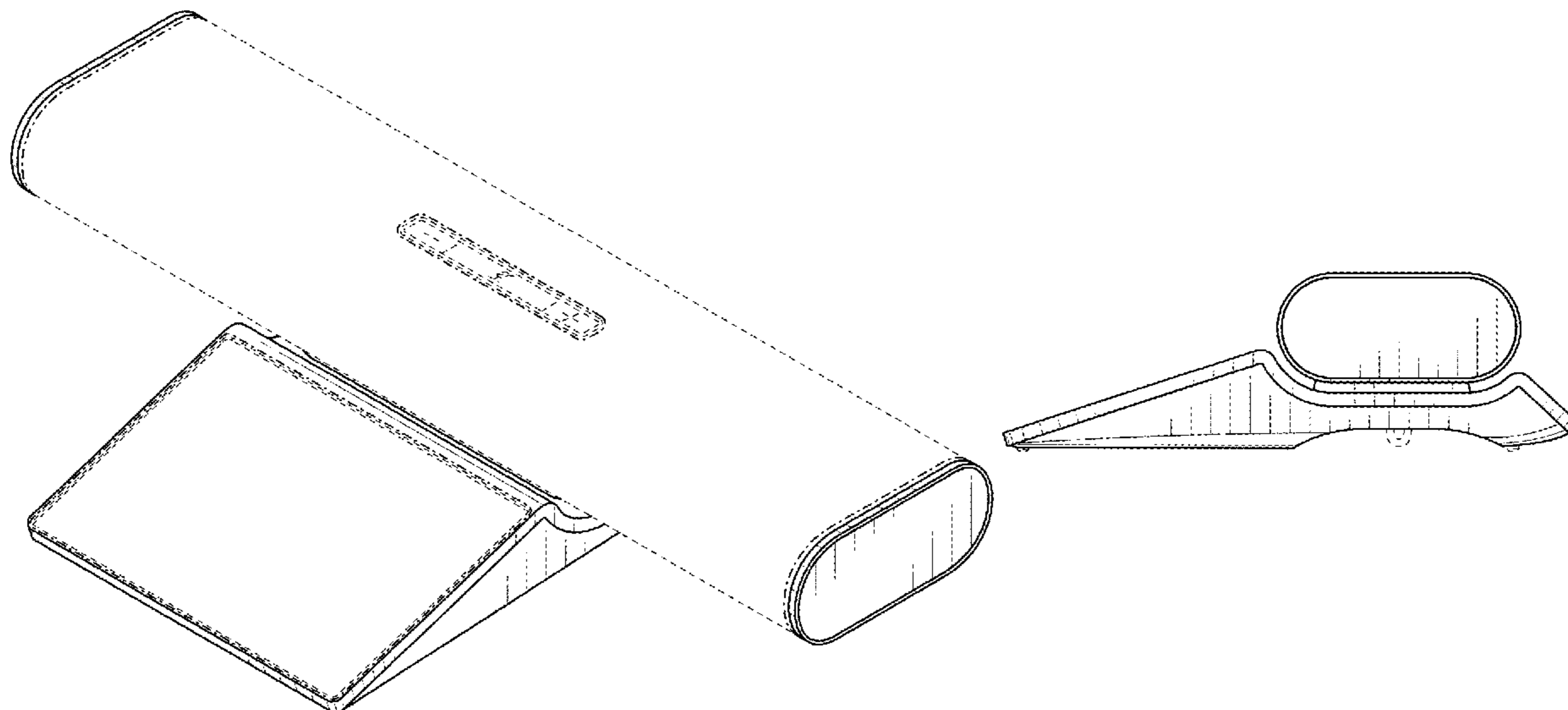
(57) **CLAIM**

We claim the ornamental design for a speaker phone, as shown and described.

DESCRIPTION

FIG. 1 is a perspective view of a speaker phone, showing our new design;
FIG. 2 is a front elevational view thereof;
FIG. 3 is a rear elevational view thereof;
FIG. 4 is a right side elevational view thereof;
FIG. 5 is a left side elevational view thereof;
FIG. 6 is a top plan view thereof; and,
FIG. 7 is a bottom plan view thereof.
The dash-dot broken lines in the drawings depict the bounds of the claim which extends to the dash-dot broken lines but does not include the dash-dot broken lines, while all other broken lines depict portions of the speaker phone that form no part of the claimed design. All broken lines form no part of the claim.

1 Claim, 3 Drawing Sheets



(56)

References Cited

U.S. PATENT DOCUMENTS

D716,756 S	11/2014	Kim et al.	
D726,688 S	4/2015	Kim et al.	
D729,207 S	5/2015	Ko	
D730,899 S	6/2015	Daniel	
D731,467 S	6/2015	Brunner et al.	
D734,741 S	7/2015	Brunner et al.	
D740,778 S	10/2015	Ookawa et al.	
D749,545 S	2/2016	Li	
D749,546 S	2/2016	Brunner et al.	
D750,596 S	3/2016	Li	
D788,060 S	5/2017	Kwak et al.	
D800,694 S	10/2017	Sugiura	
D801,310 S	10/2017	Kachwalla et al.	
D809,480 S	2/2018	Schaal et al.	
D816,056 S *	4/2018	Klein	D14/149
D818,453 S	5/2018	Stern	
D819,592 S	6/2018	Folkmann et al.	
D819,601 S	6/2018	Won et al.	
D823,844 S	7/2018	Ramones et al.	
D838,254 S *	1/2019	McManigal	D14/204
D845,264 S *	4/2019	Snyder	D14/149
D851,633 S *	6/2019	Nakano	D14/226
2015/0245155 A1	8/2015	Root et al.	
2018/0191885 A1 *	7/2018	Sarrasin	H04M 1/6033
2019/0171413 A1 *	6/2019	Beatty	H04R 1/04

* cited by examiner

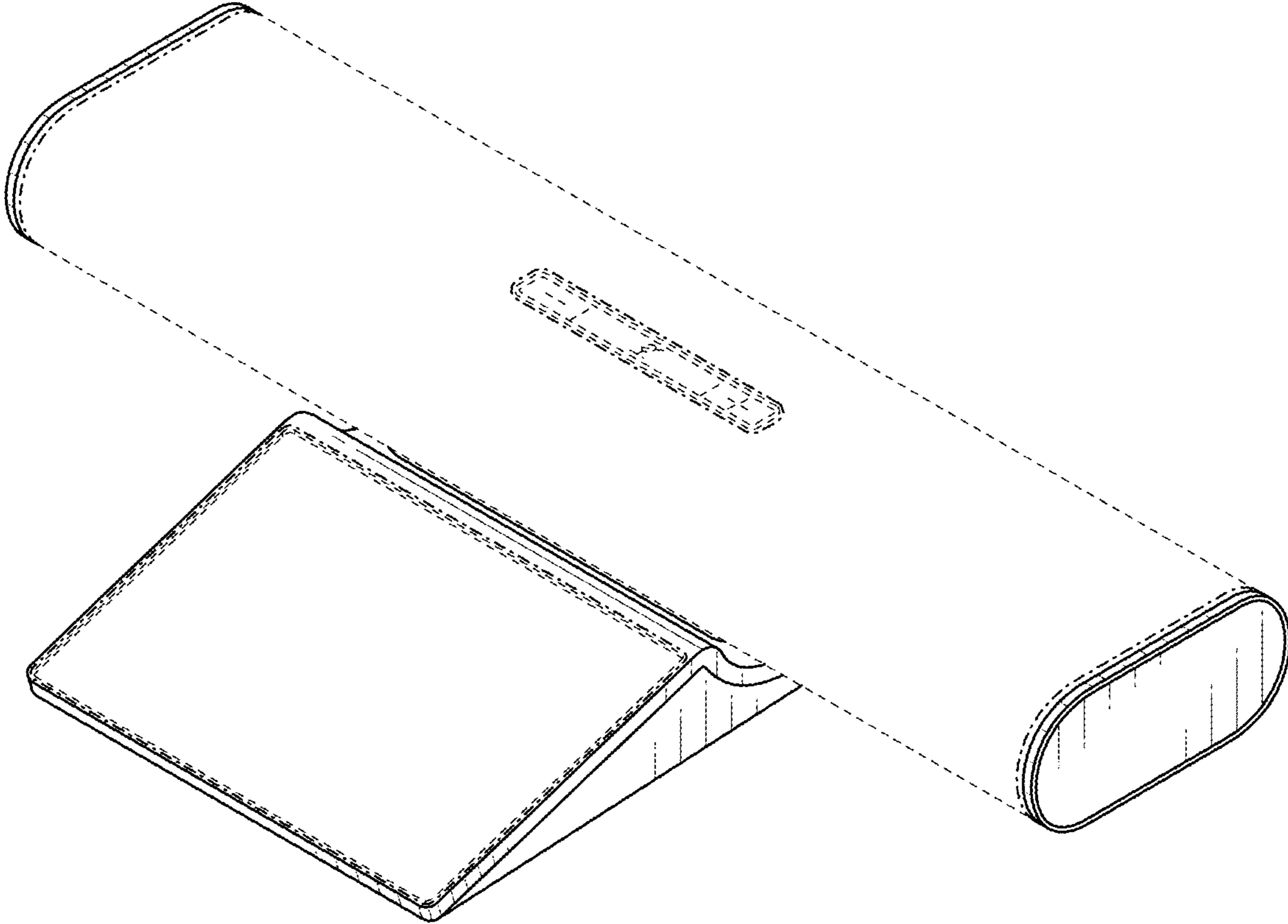


FIG. 1

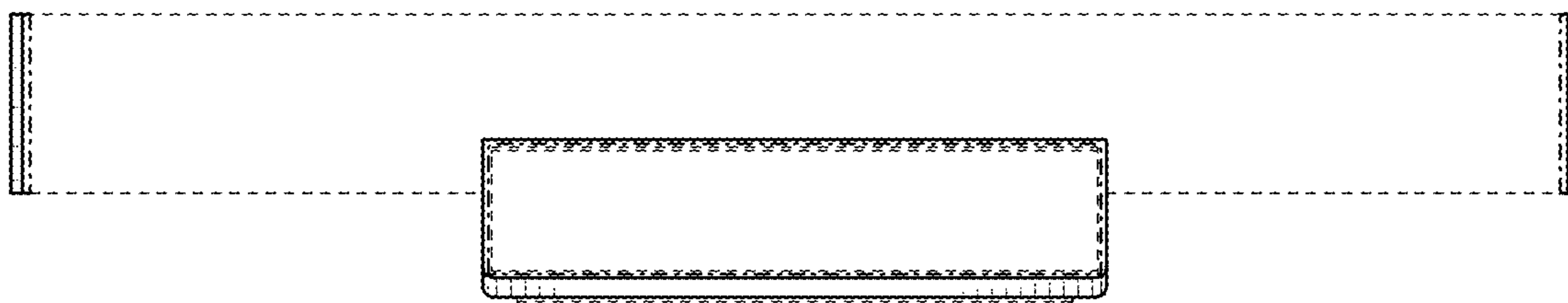


FIG. 2

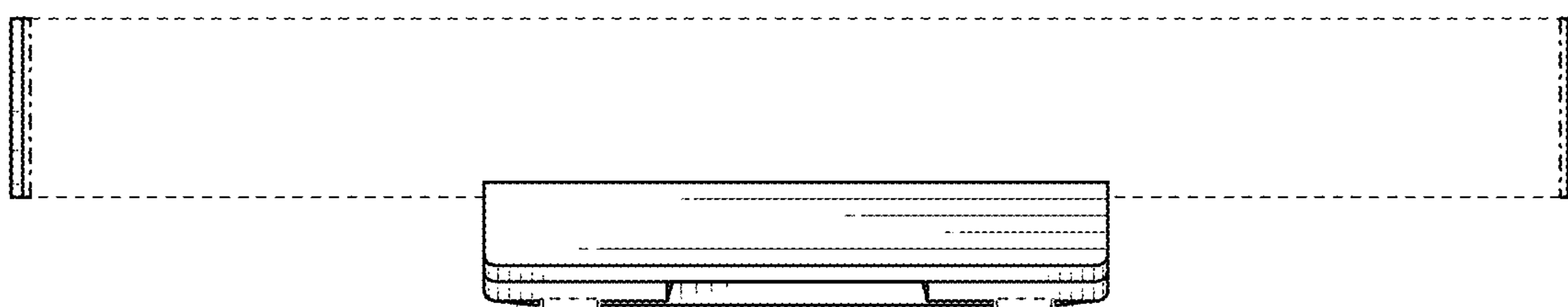


FIG. 3

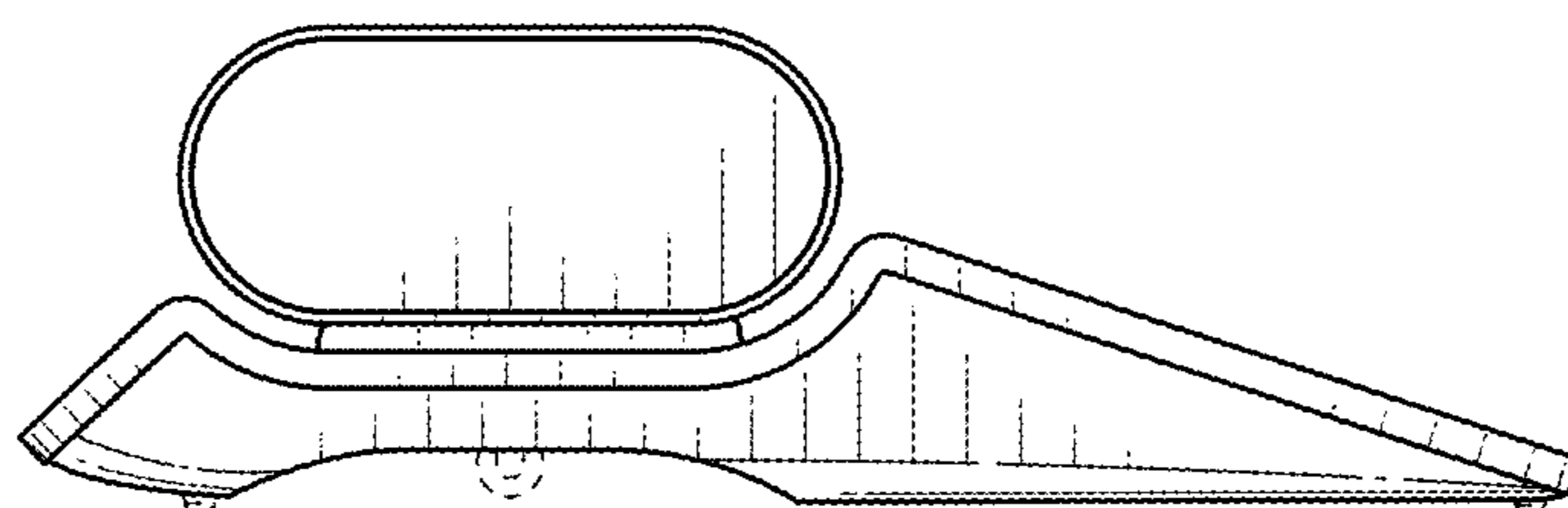


FIG. 4

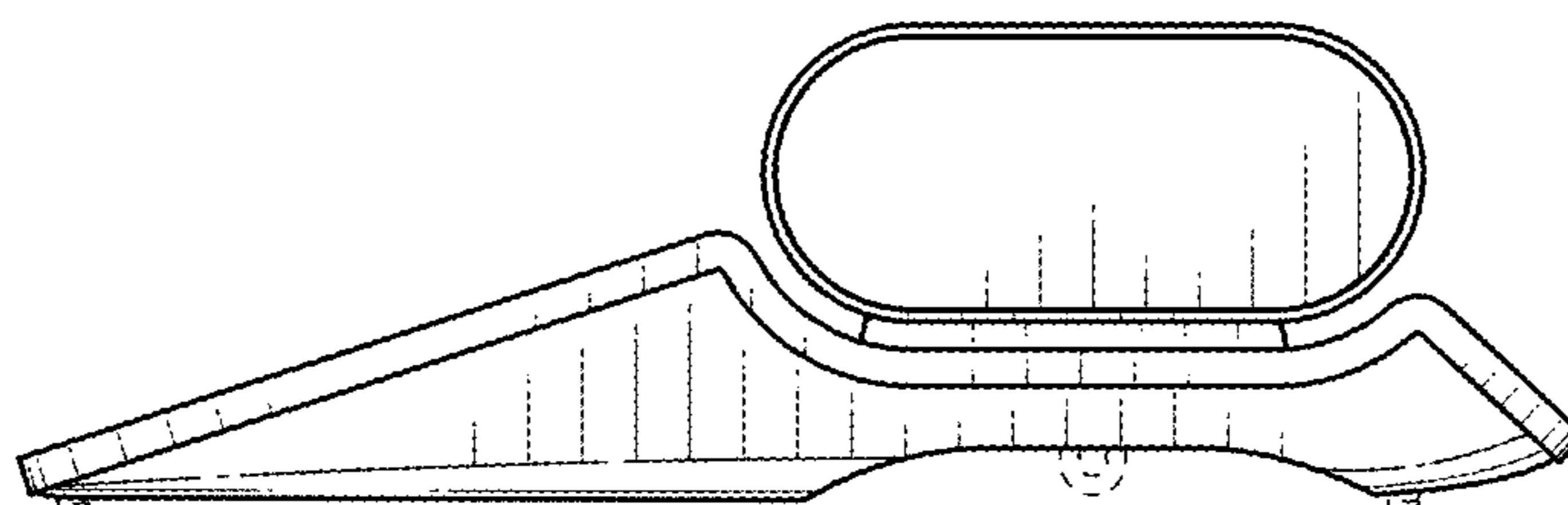


FIG. 5

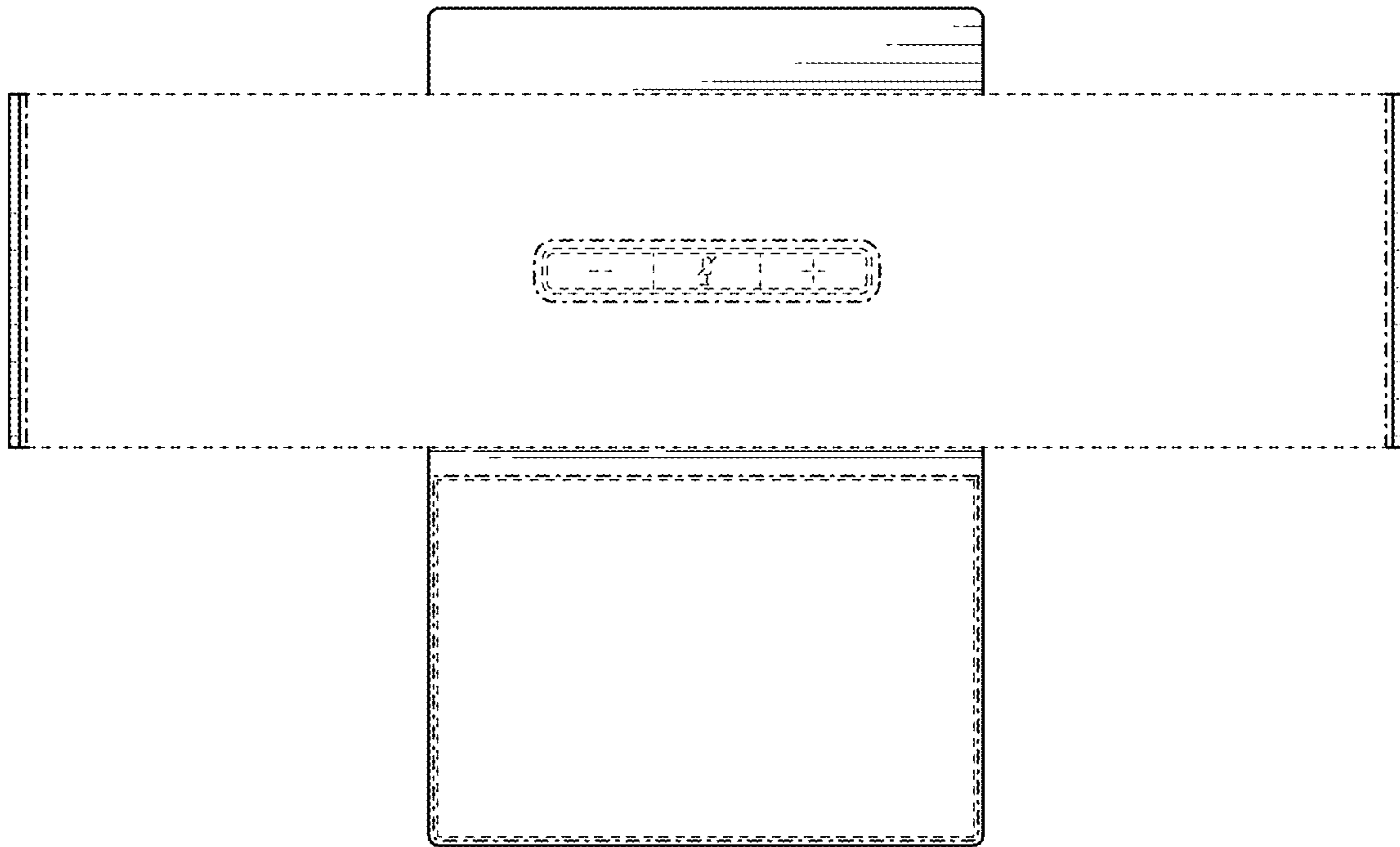


FIG. 6

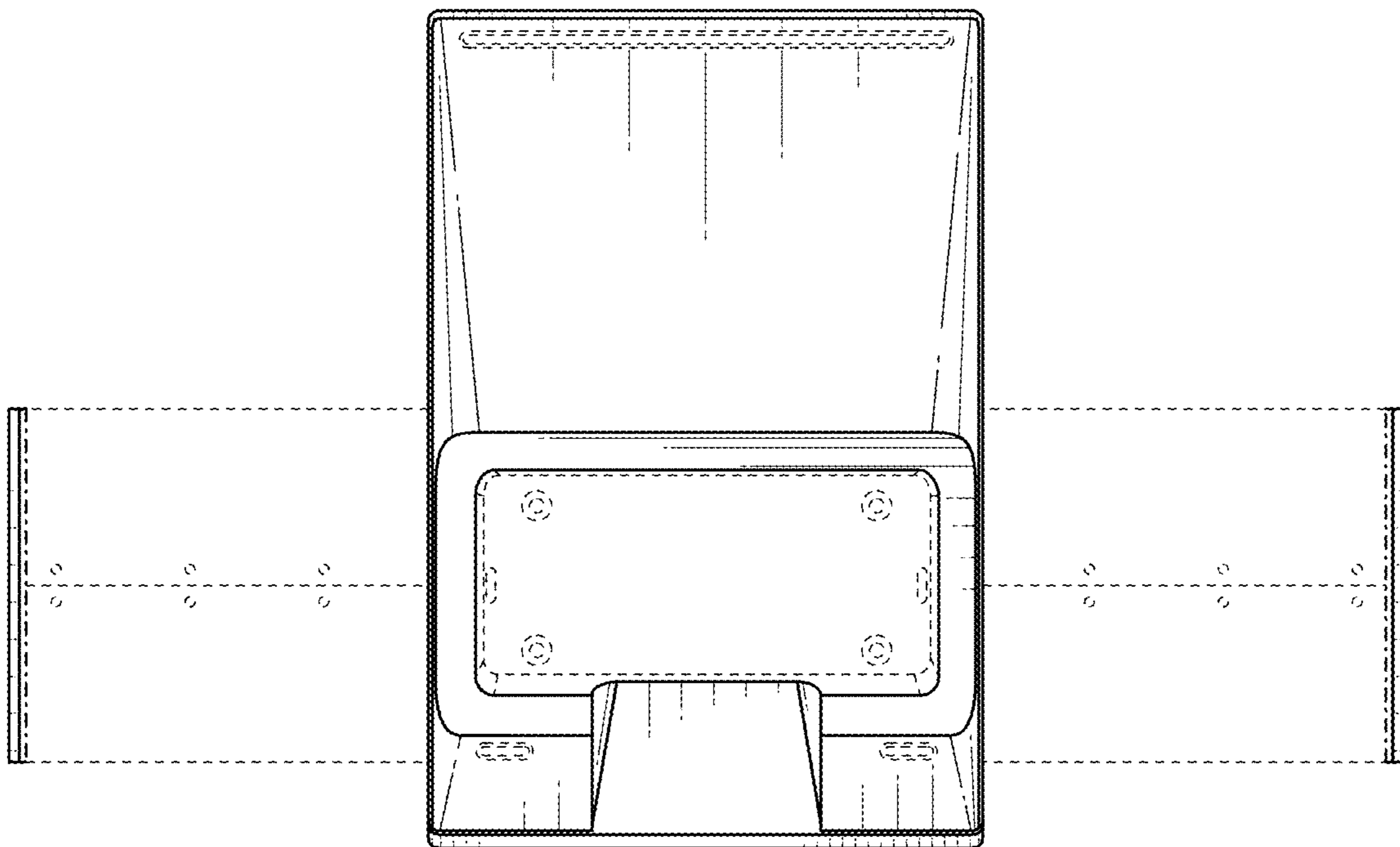


FIG. 7