



US00D874416S

(12) **United States Design Patent** (10) **Patent No.:** **US D874,416 S**
Lin et al. (45) **Date of Patent:** **** Feb. 4, 2020**

(54) **SPLIT-TYPE TELEVISION**

(56) **References Cited**

(71) Applicant: **SHENZHEN SKYWORTH-RGB ELECTRONIC CO., LTD**, Shenzhen, Guangdong (CN)

U.S. PATENT DOCUMENTS

D588,560 S * 3/2009 Mellinger D14/126
D643,002 S * 8/2011 Choi D14/126

(72) Inventors: **Fu Lin**, Guangdong (CN); **Lixing Chen**, Guangdong (CN); **Zhiyong Chen**, Guangdong (CN); **Shuxiao Wei**, Guangdong (CN); **Feixiang Fang**, Guangdong (CN); **Xinhua Zhang**, Guangdong (CN); **Xiaohui Zhang**, Guangdong (CN); **Shusan Yang**, Guangdong (CN)

* cited by examiner

Primary Examiner — Randall H Gholson

(57) **CLAIM**

The ornamental design for a split-type television, as shown and described.

DESCRIPTION

(73) Assignee: **SHENZHEN SKYWORTH-RGB ELECTRONIC CO., LTD**, Shenzhen (CN)

FIG. 1 is a front elevational view of the television display of a split-type television showing our new design; FIG. 2 is a rear elevational view of FIG. 1; FIG. 3 is a left side view of FIG. 1; FIG. 4 is a right side view of FIG. 1; FIG. 5 is a top plan view of FIG. 1; FIG. 6 is a bottom plan view of FIG. 1; FIG. 7 is a front and left side perspective view of FIG. 1; FIG. 8 is an enlarged view of portion 8 in FIG. 7; FIG. 9 is a front elevational view of the control module of the split-type television; FIG. 10 is a rear elevational view of FIG. 9; FIG. 11 is a left side view of FIG. 9; FIG. 12 is a right side view of FIG. 9; FIG. 13 is a top plan view of FIG. 9; FIG. 14 is a bottom plan view of FIG. 9; FIG. 15 is a top, front and left side perspective view of FIG. 9; FIG. 16 is a front and left side perspective view showing the split-type television in a use state; FIG. 17 is a front elevational view of FIG. 16; and, FIG. 18 is a rear elevational view of FIG. 16. The broken lines in the drawings illustrate portions of the split-type television which form no part of the claimed design. The oblique shade lines in the drawings represent a reflective surface.

(**) Term: **15 Years**

(21) Appl. No.: **29/674,740**

(22) Filed: **Dec. 25, 2018**

(30) **Foreign Application Priority Data**

Dec. 6, 2018 (CN) 2018 3 0702773

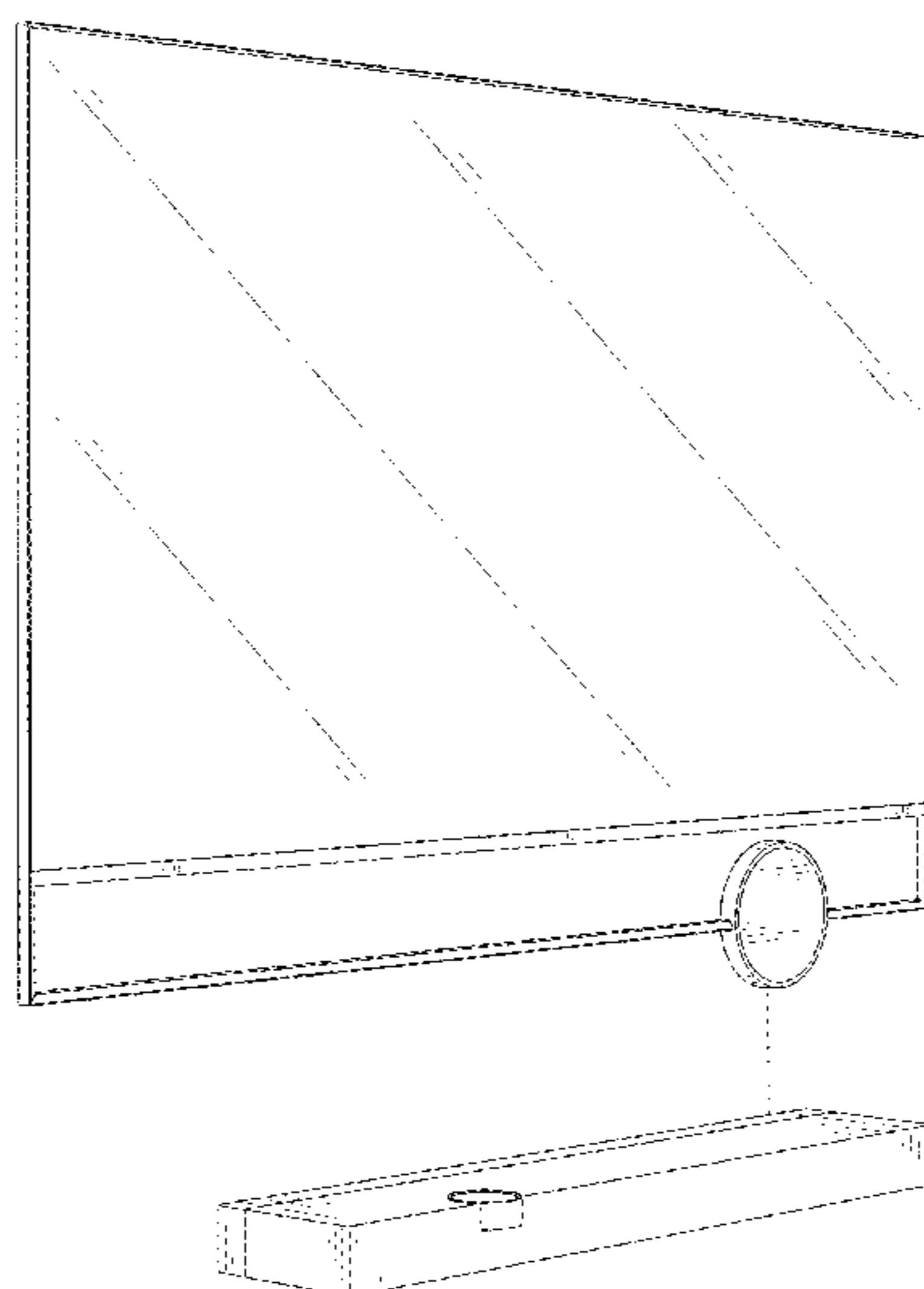
(51) **LOC (12) Cl.** **14-03**

(52) **U.S. Cl.**
USPC **D14/126**

(58) **Field of Classification Search**
USPC D14/125-134, 239, 371, 136, 374-377, D14/440, 450, 448, 336, 342, 159; 312/7.2; 348/836, 838, 180, 184, 325, 348/739; 248/917-924, 465; 345/104, 345/133, 156, 168, 87, 173; D21/329, D21/515, 577, 622, 333, 433, 448, 452, D21/450, 331, 505; D10/15, 26; 446/484, 175, 356; D6/477, 479, 300; D24/185; D34/14

(Continued)

1 Claim, 18 Drawing Sheets



(58) **Field of Classification Search**

CPC ... G06F 1/1601; G06F 1/1643; H05K 5/0004;
H05K 5/0017; H05K 5/02; H05K 5/0217

See application file for complete search history.

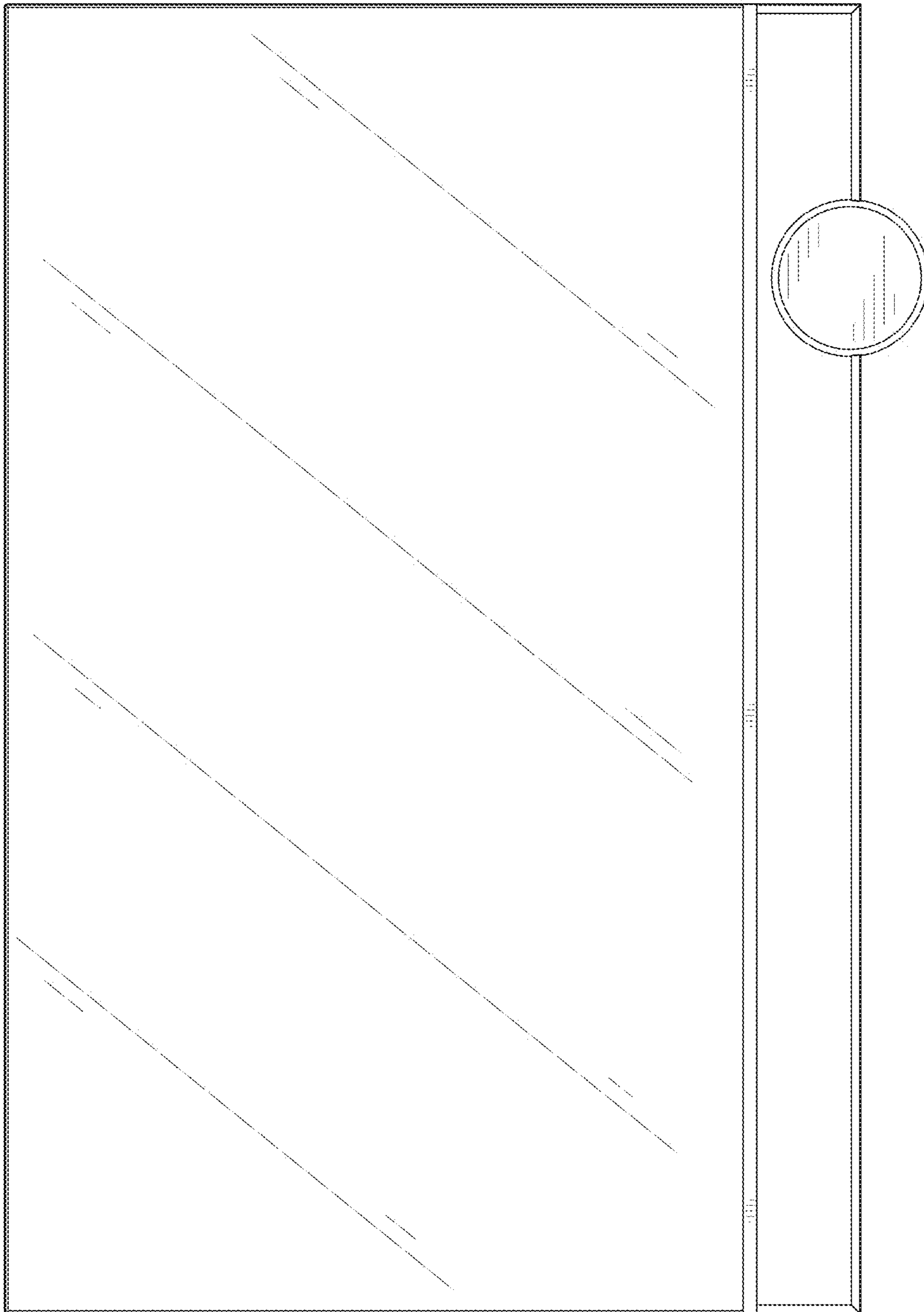


FIG. 1

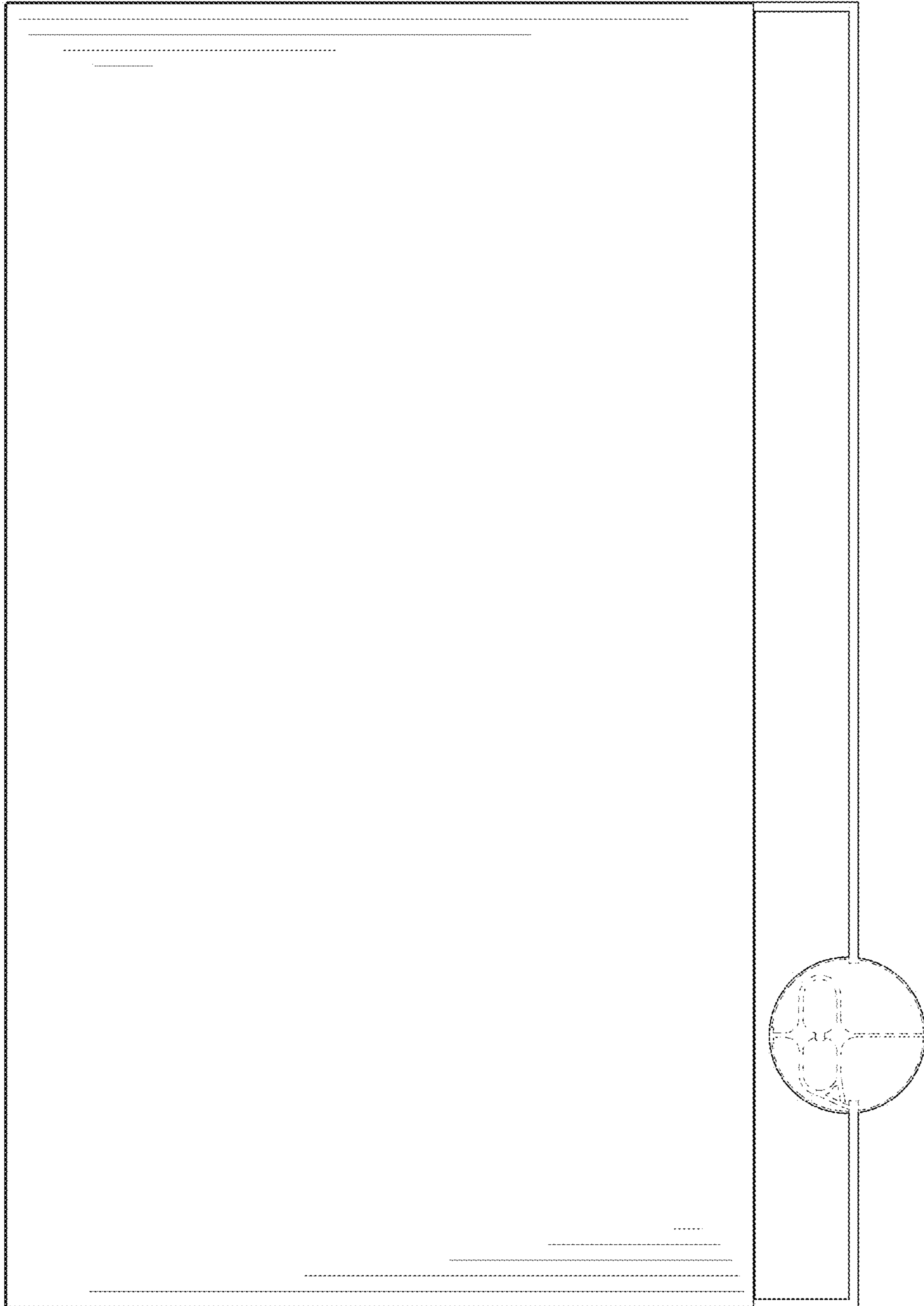


FIG. 2

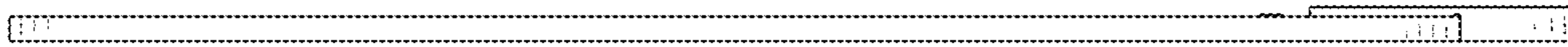


FIG. 3

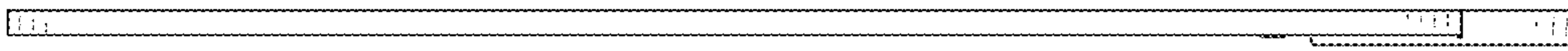


FIG. 4

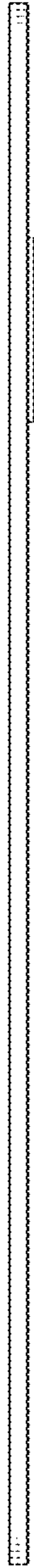


FIG. 5



FIG. 6

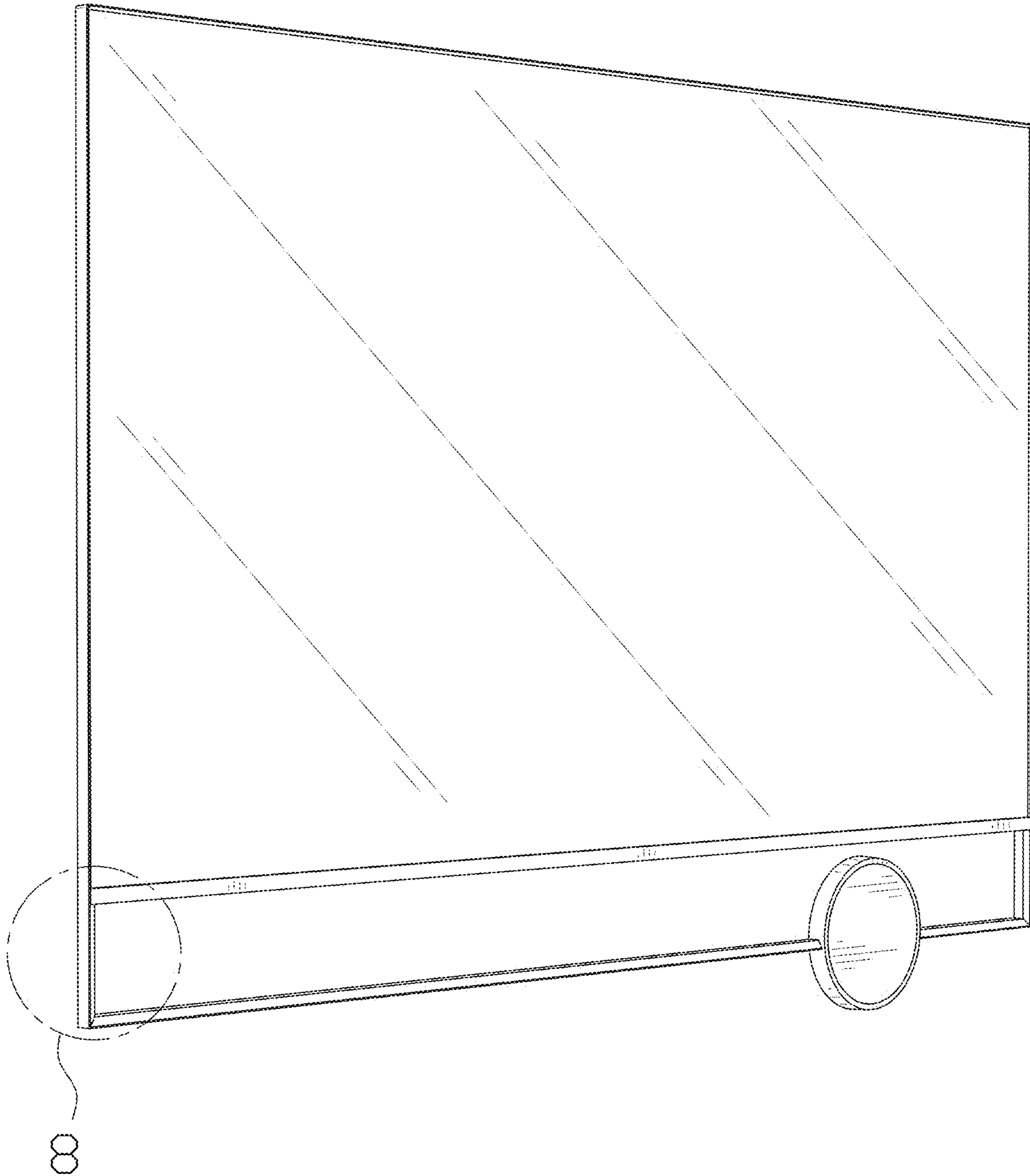


FIG. 7

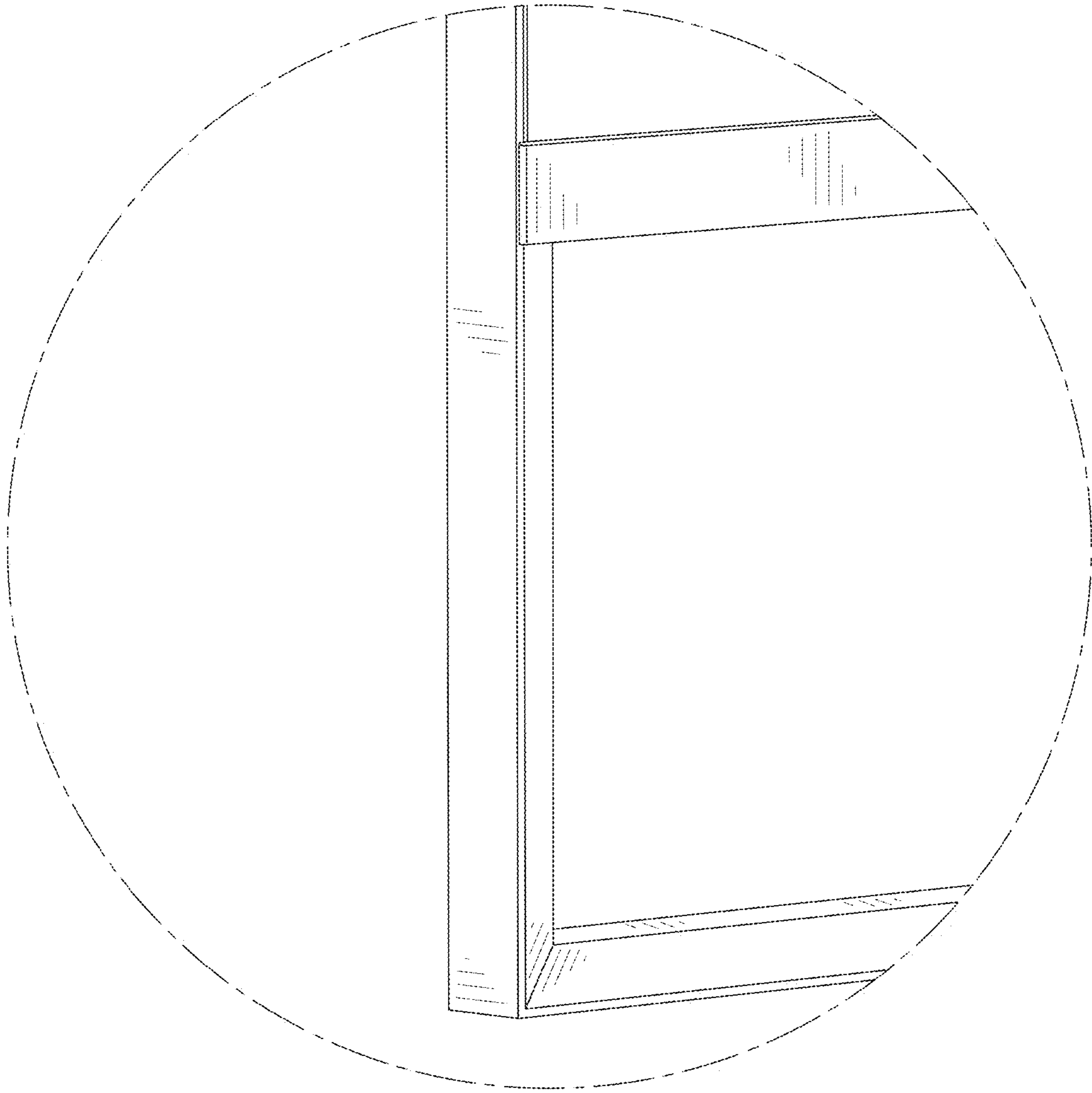


FIG. 8

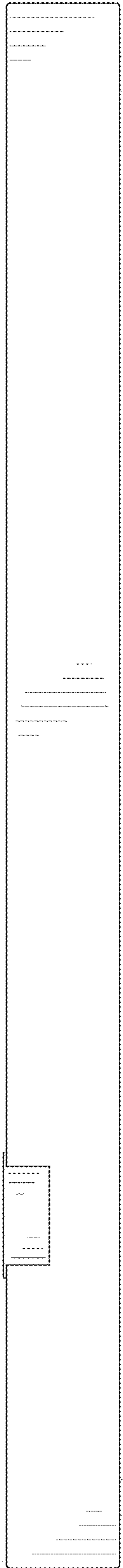


FIG. 9

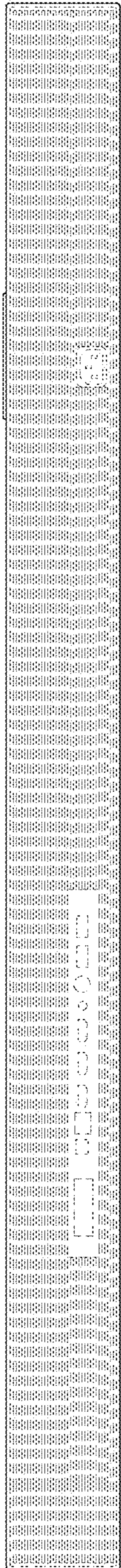


FIG. 10

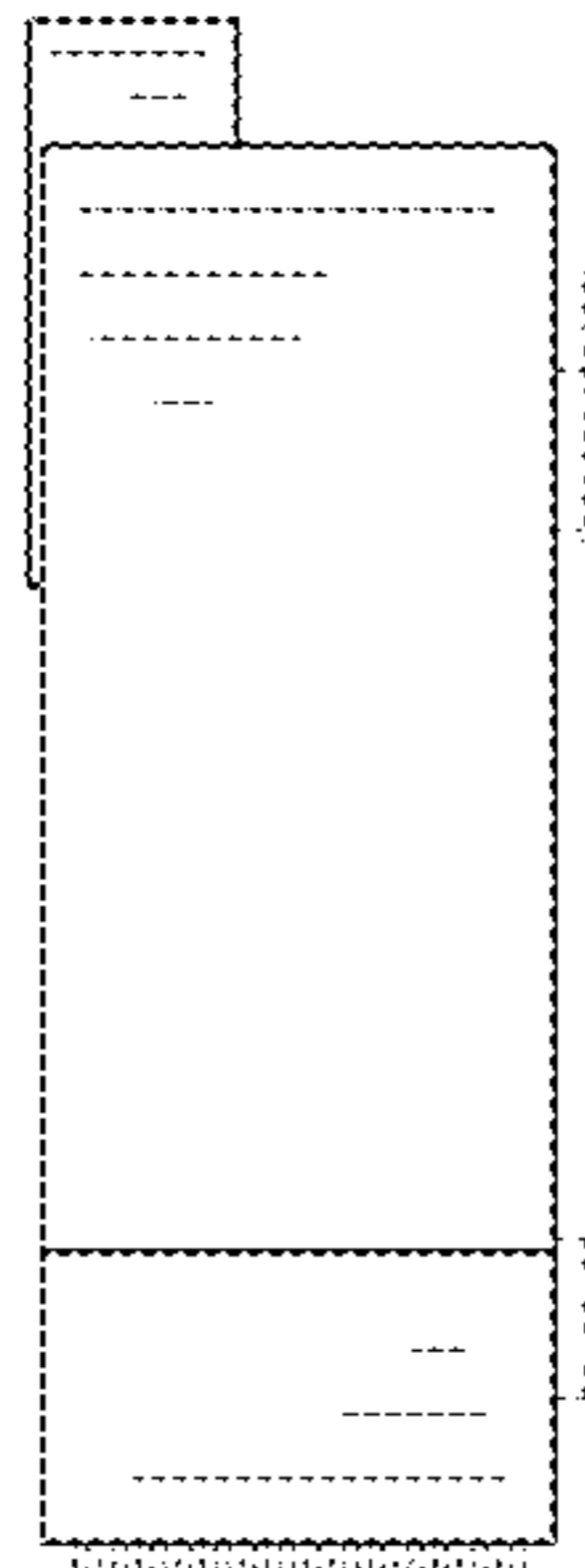


FIG. 11

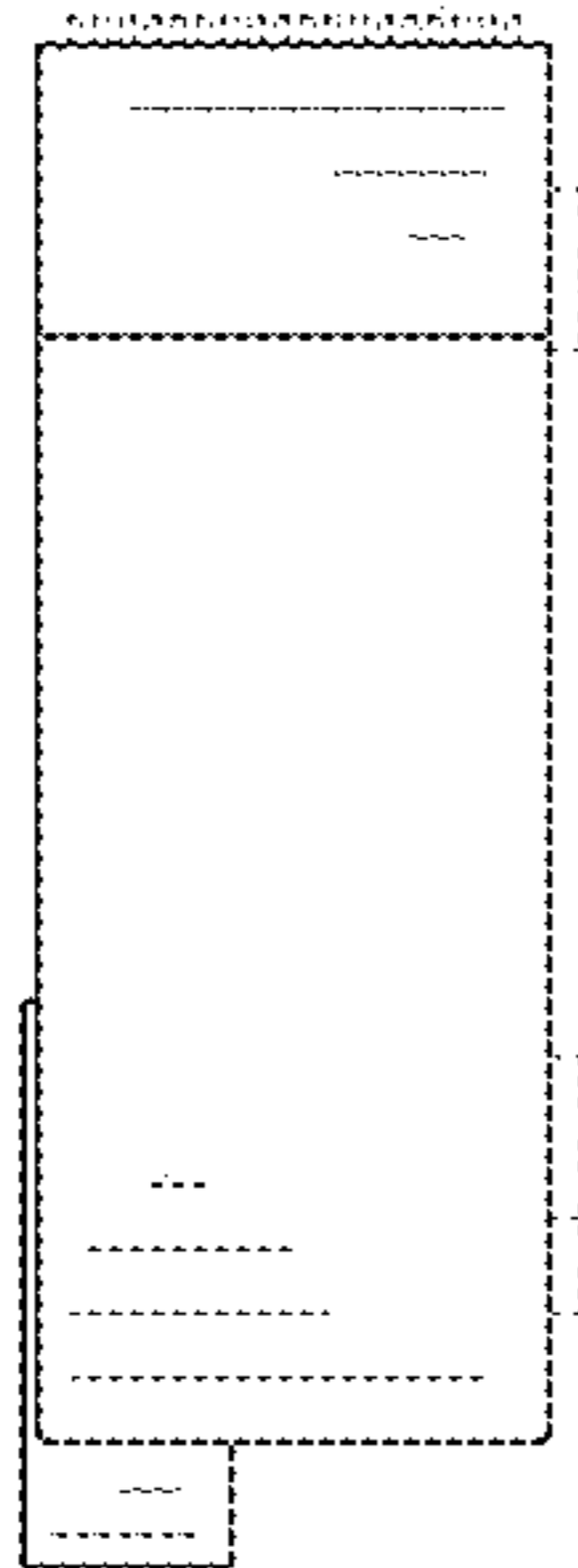


FIG. 12

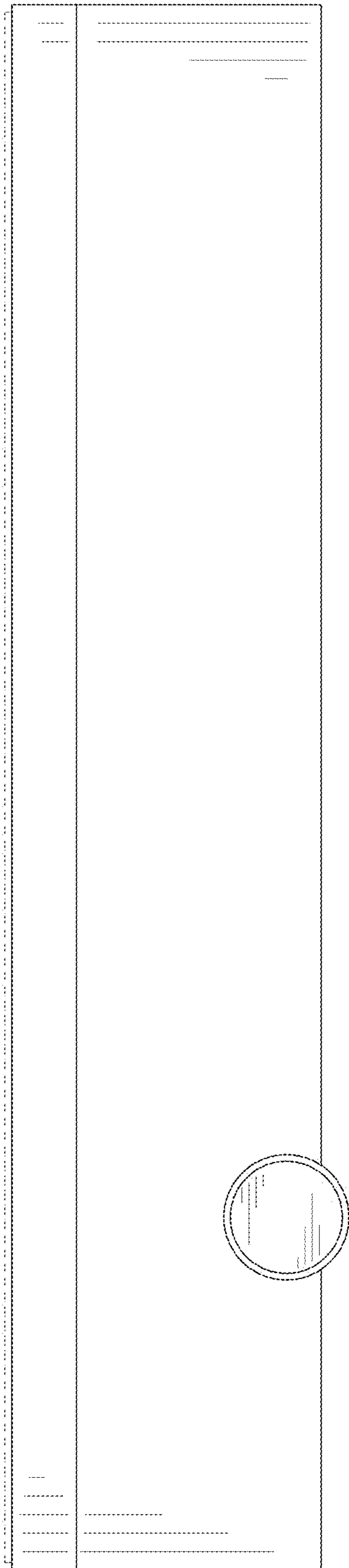


FIG. 13

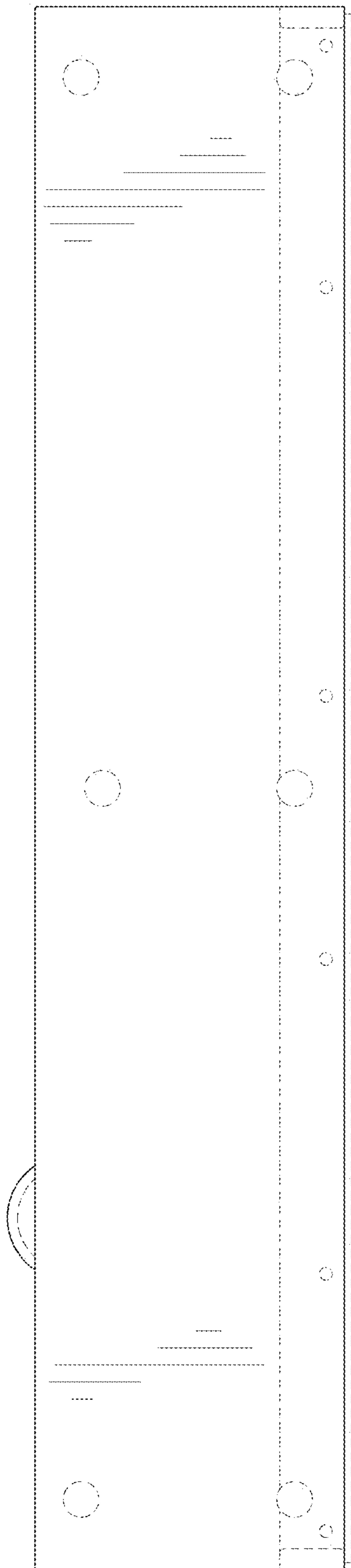


FIG. 14

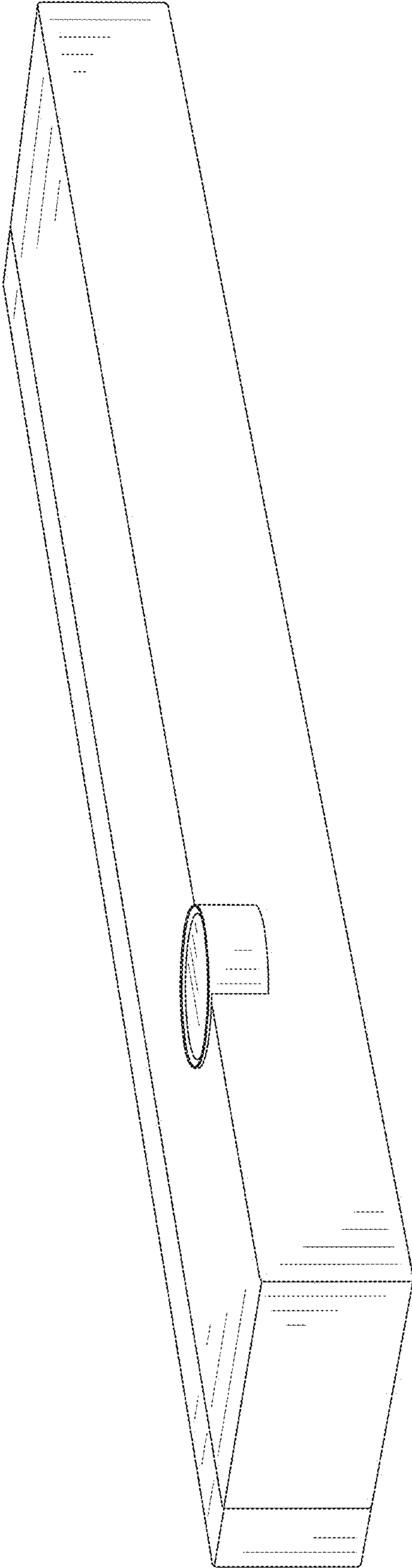


FIG. 15

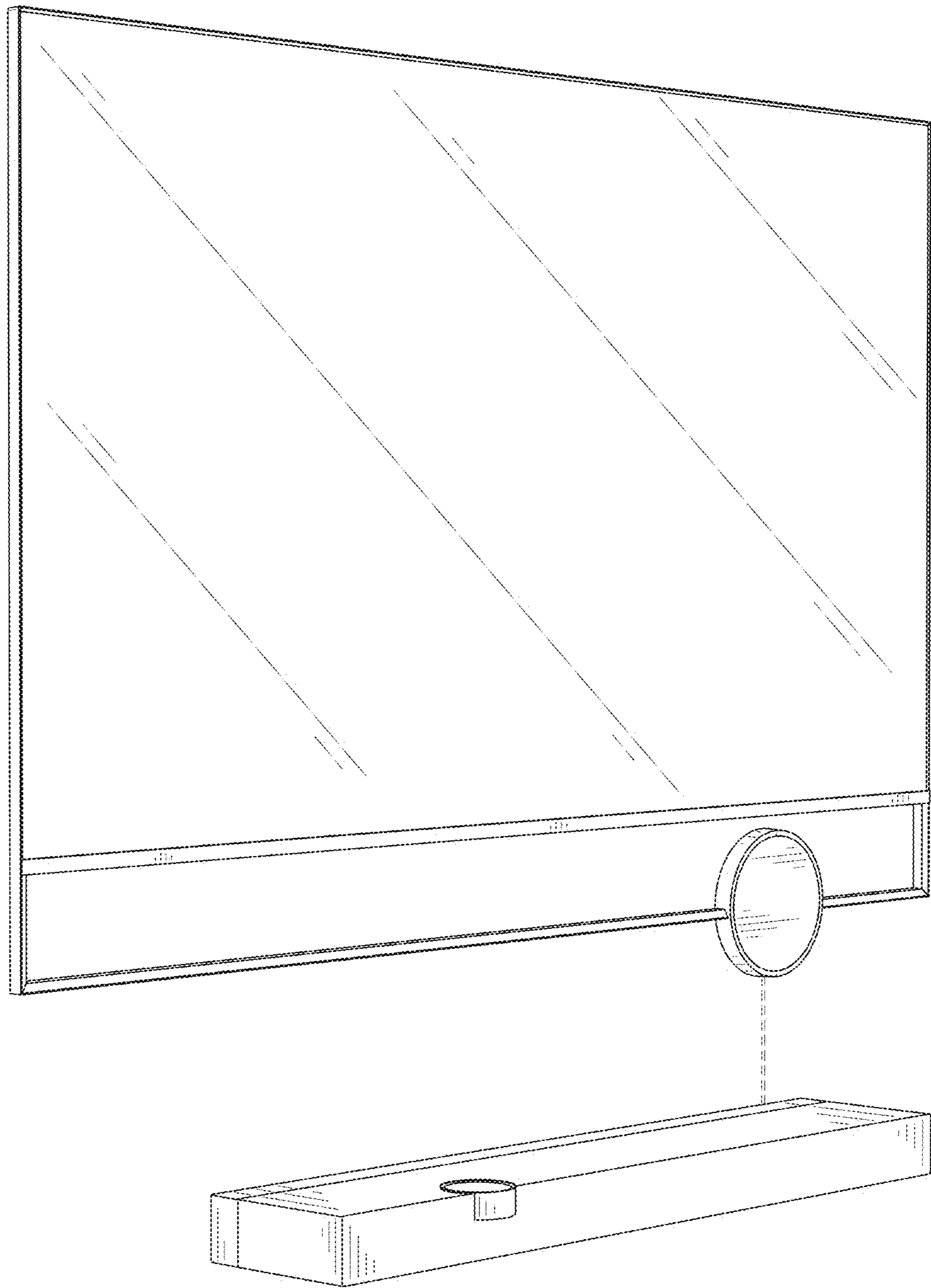


FIG. 16

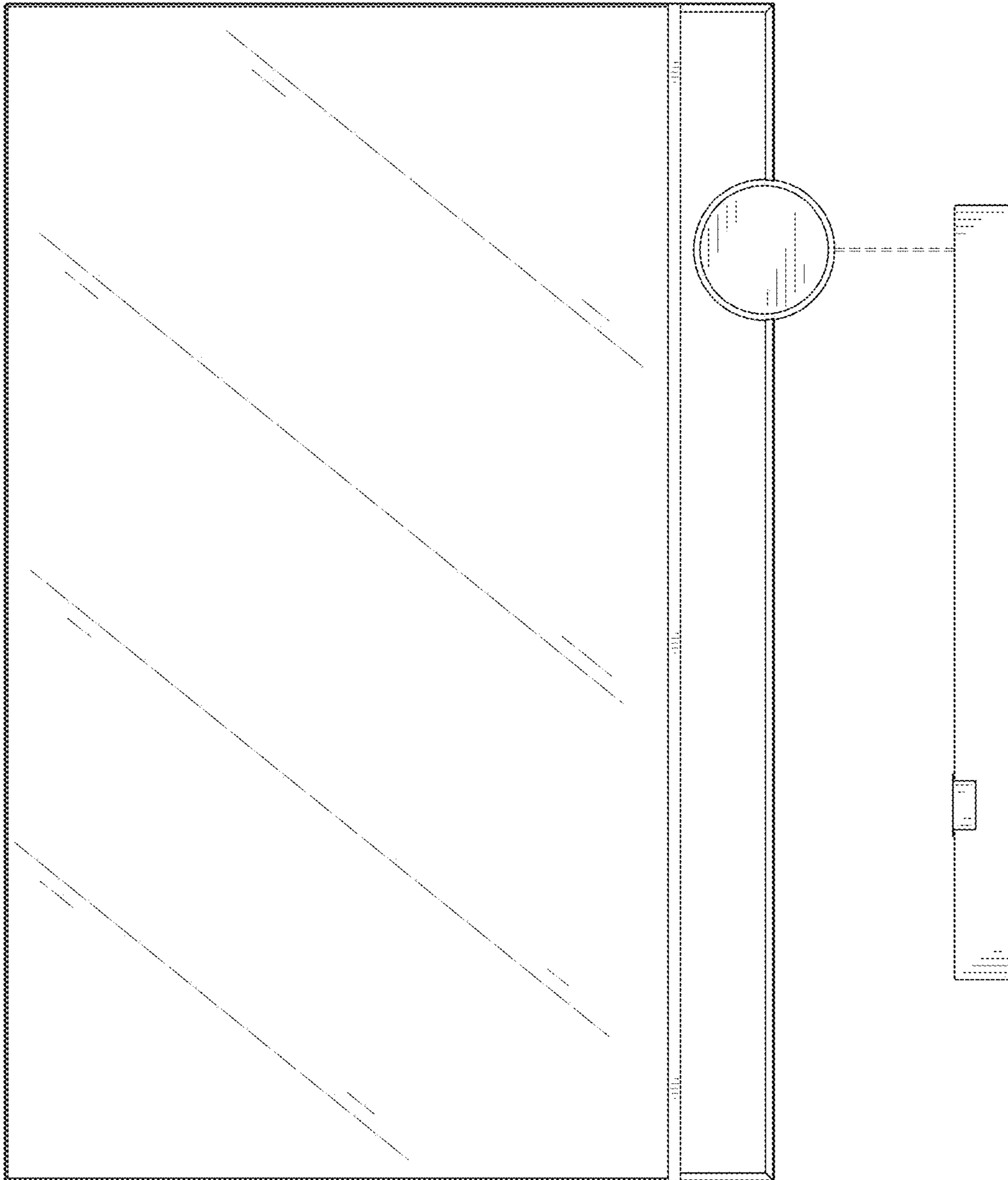


FIG. 17

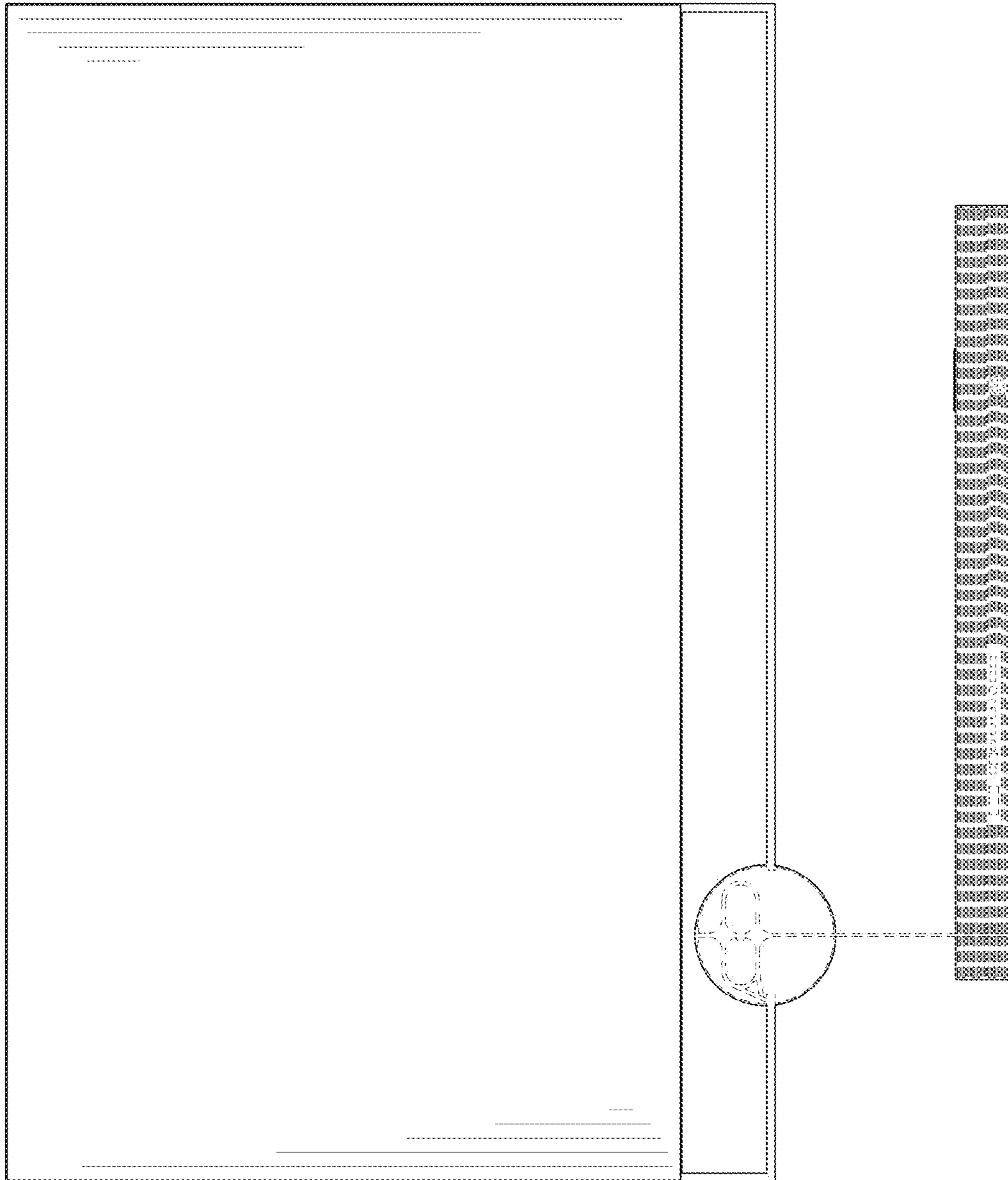


FIG. 18