



US00D874415S

(12) **United States Design Patent** (10) **Patent No.:** **US D874,415 S**
Andresen et al. (45) **Date of Patent:** **** Feb. 4, 2020**

- (54) **COLLABORATION HUB**
- (71) Applicant: **Cisco Technology, Inc.**, San Jose, CA (US)
- (72) Inventors: **Simen Andresen**, Hosle (NO); **Kristian Magnus Hage Østensen**, Oslo (NO); **Andre Lyngra**, Skjetten (NO); **Jorunn Tyssø**, Oslo (NO)
- (73) Assignee: **Cisco Technology, Inc.**, San Jose, CA (US)
- (**) Term: **15 Years**
- (21) Appl. No.: **29/668,038**
- (22) Filed: **Oct. 26, 2018**
- (51) **LOC (12) Cl.** **14-03**
- (52) **U.S. Cl.**
USPC **D14/125**
- (58) **Field of Classification Search**
USPC D14/125, 357-358, 496, 188, 242, 432; D13/184; 348/10, 460, 706, 731; 340/825.03; 455/6.1, 6.2; 312/223.1, 7.2
CPC H04N 21/00; H04N 21/20; H04N 21/40
See application file for complete search history.

(56) **References Cited**
U.S. PATENT DOCUMENTS

D320,007 S	9/1991	Leverault et al.
D344,269 S	2/1994	Toedter et al.
D512,059 S	11/2005	Zhang et al.
D654,496 S	2/2012	Chen et al.

D662,904 S	7/2012	Wu et al.	
D676,005 S	2/2013	Wood et al.	
D689,452 S *	9/2013	Gomes, II	D14/125
D709,507 S	7/2014	McParland et al.	
D722,985 S	2/2015	Won et al.	
D766,872 S *	9/2016	Jeon	D14/214
D781,794 S *	3/2017	Gargani	D14/125
D785,579 S	5/2017	McMiller et al.	
D817,288 S *	5/2018	Won	D14/125
D824,351 S *	7/2018	Kim	D14/125

* cited by examiner

Primary Examiner — Randall H Gholson

(74) *Attorney, Agent, or Firm* — Edell, Shapiro & Finnan, LLC

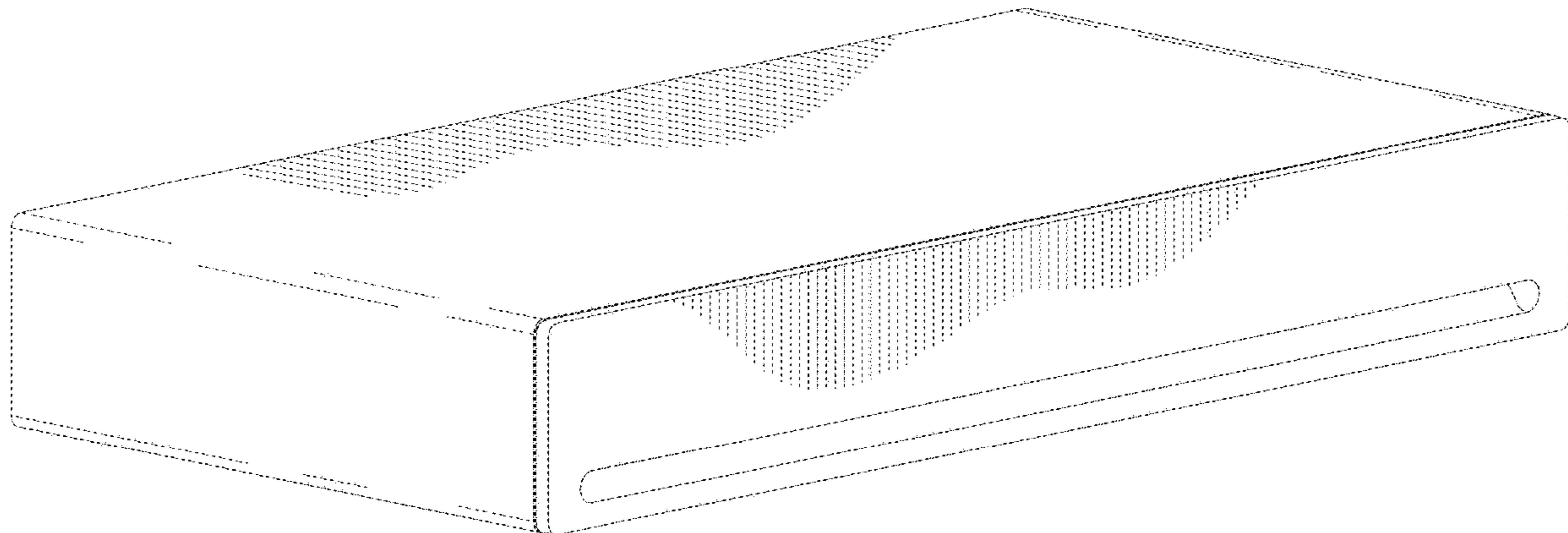
(57) **CLAIM**

The ornamental design for a collaboration hub, as shown and described.

DESCRIPTION

FIG. 1 is a front perspective view of a collaboration hub; FIG. 2 is a back perspective view of the collaboration hub of FIG. 1; FIG. 3 is a front view of the collaboration hub of FIG. 1; FIG. 4 is a back view of the collaboration hub of FIG. 1; FIG. 5 is a first side view of the collaboration hub of FIG. 1; FIG. 6 is a second side view of the collaboration hub of FIG. 1; FIG. 7 is a top view of the collaboration hub of FIG. 1; and, FIG. 8 is a bottom view of the collaboration hub of FIG. 1. Any portions shown using dashed lines are for illustrative purposes only and form no part of the claimed design.

1 Claim, 6 Drawing Sheets



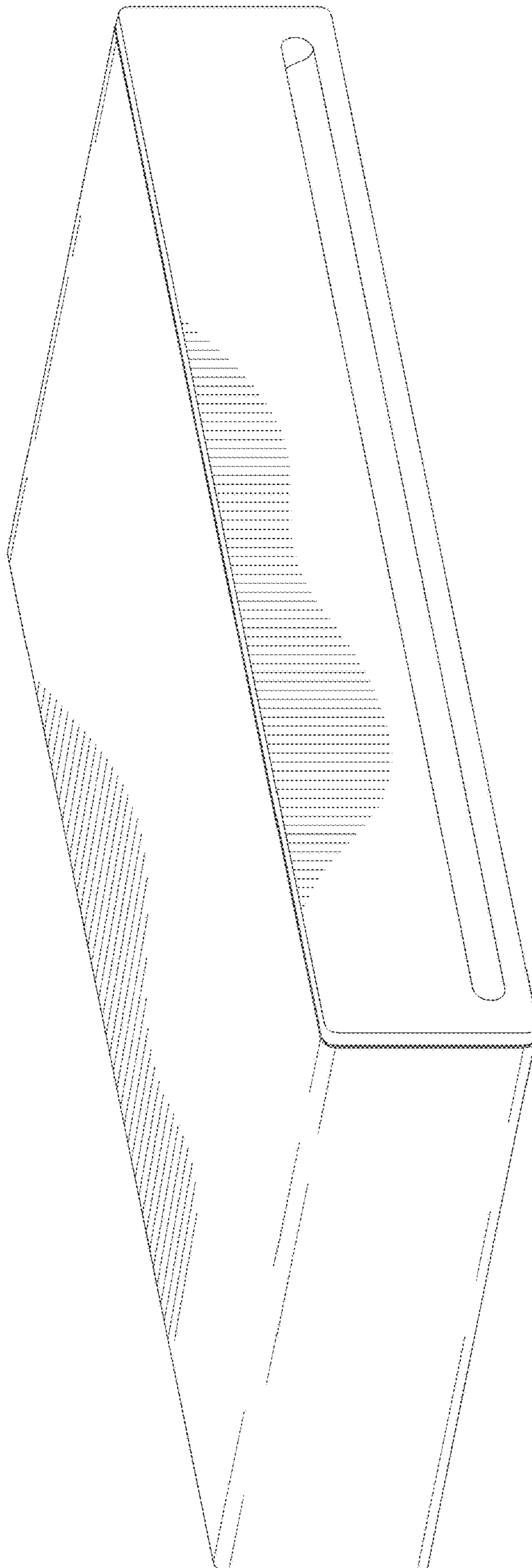


FIG.1

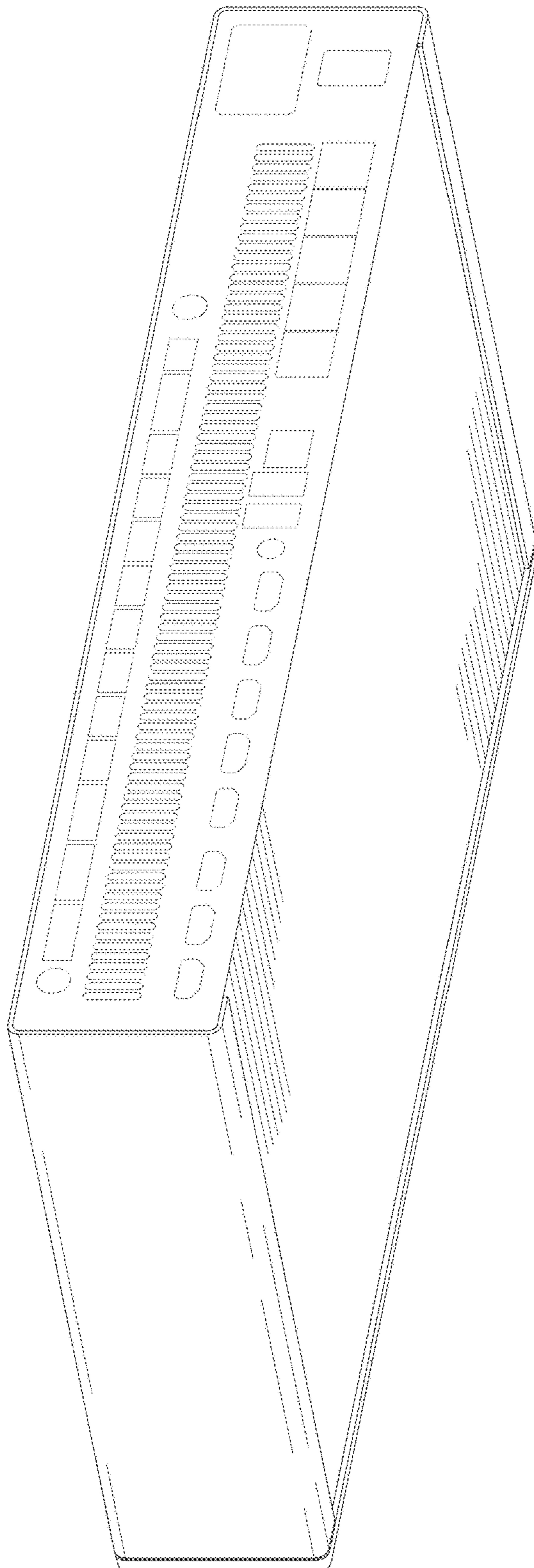


FIG.2

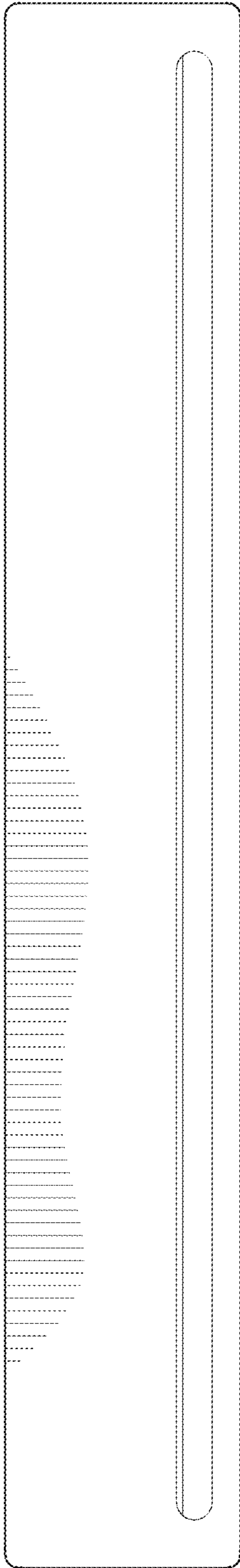


FIG.3

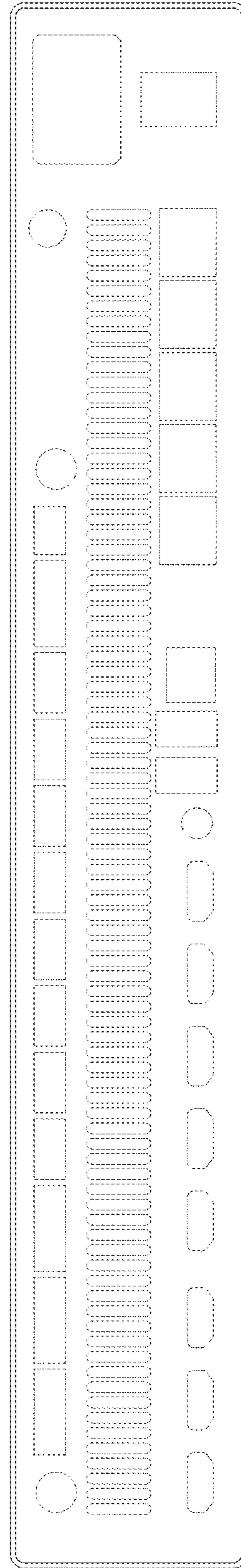


FIG.4

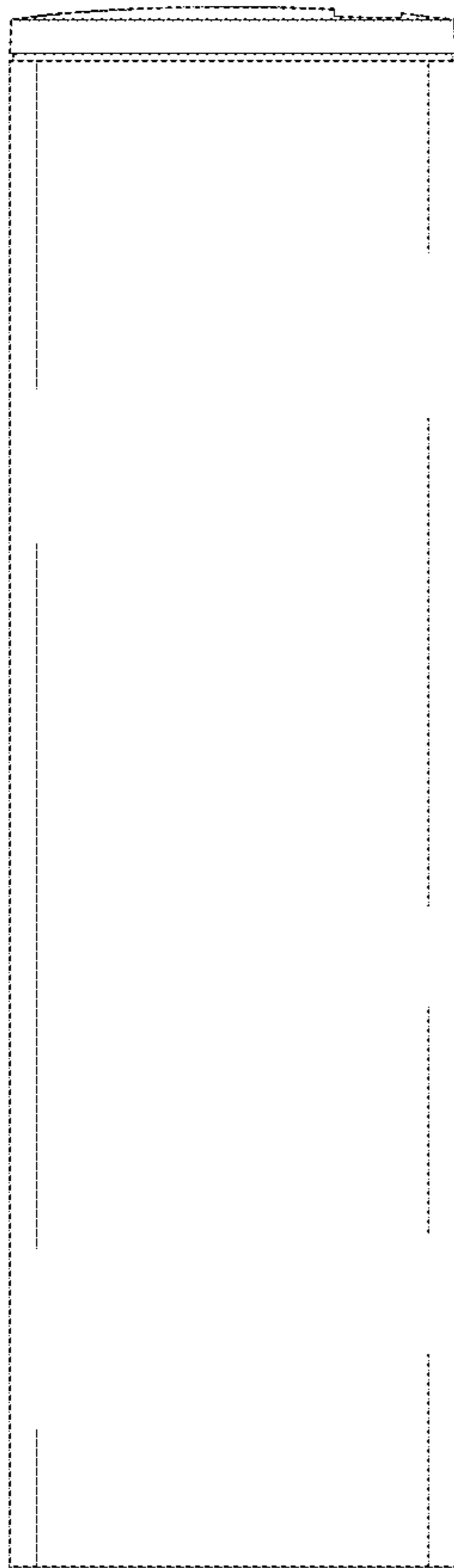


FIG. 5

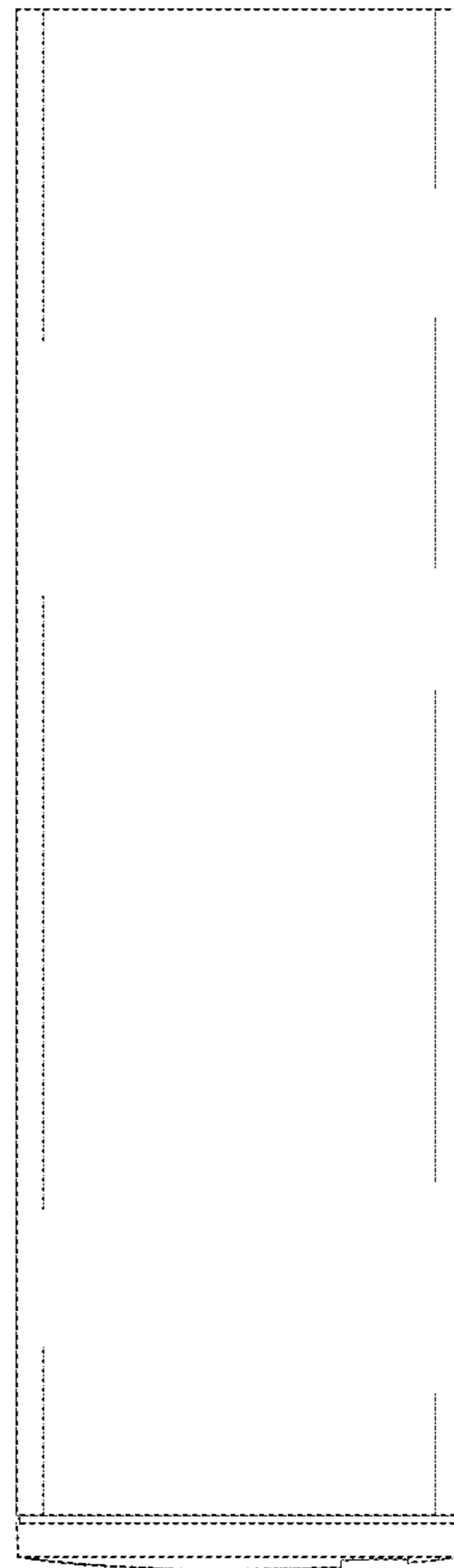


FIG. 6

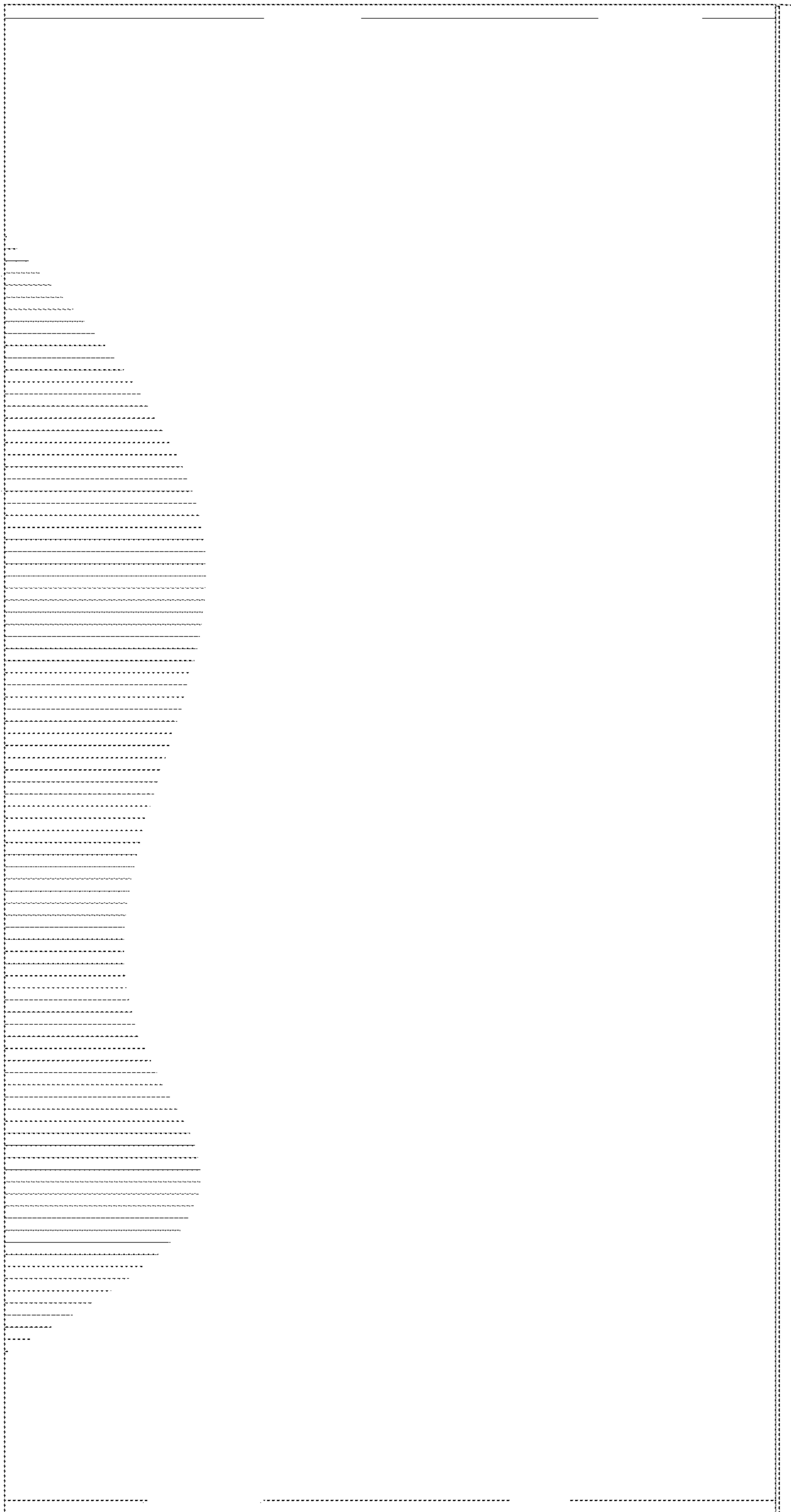


FIG.7

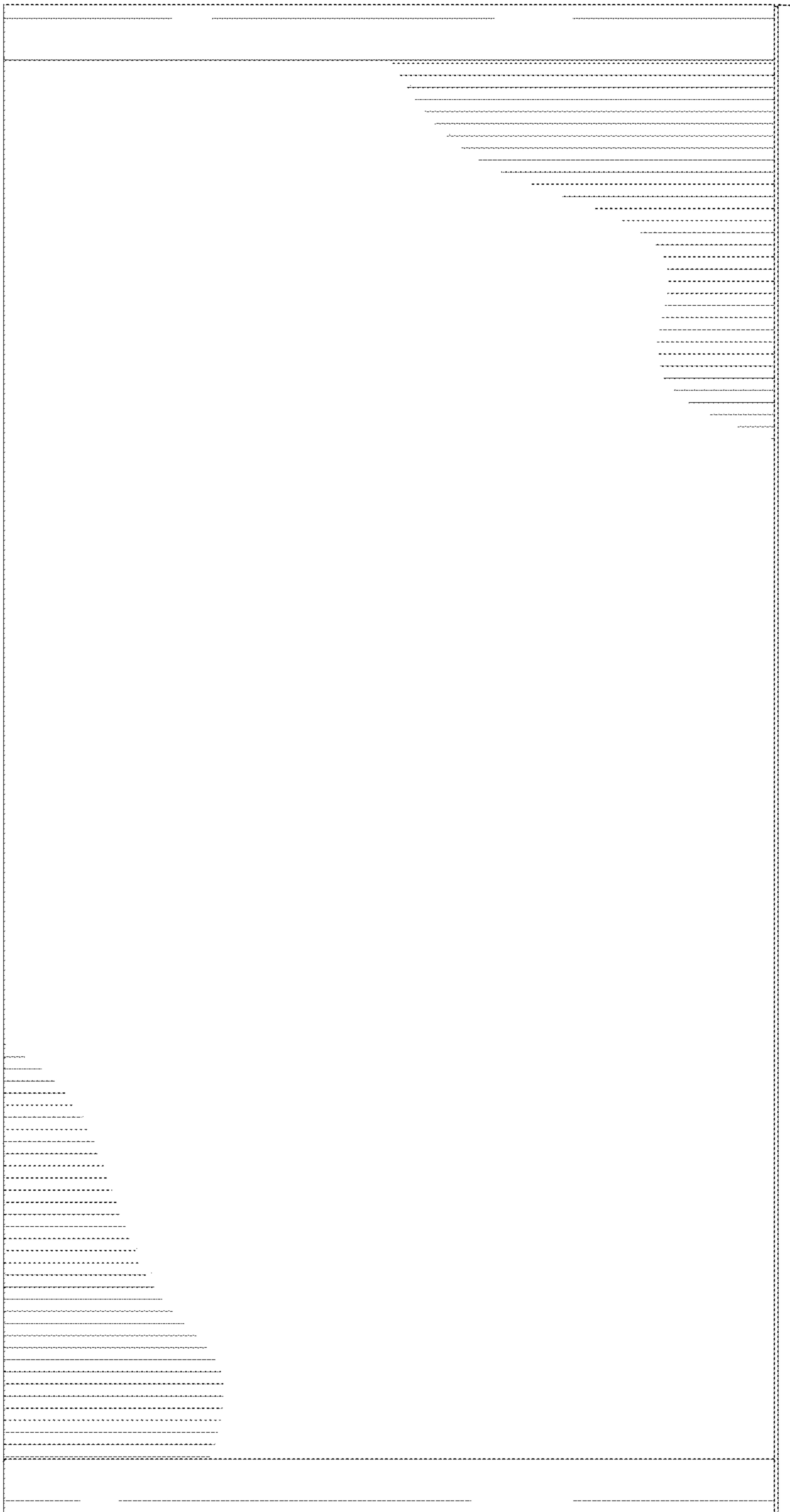


FIG. 8