



US00D874414S

(12) **United States Design Patent** (10) **Patent No.:** **US D874,414 S**
Adams et al. (45) **Date of Patent:** **** Feb. 4, 2020**

(54) **HOUSE BOX**

(71) Applicant: **PPC BROADBAND, INC.**, East Syracuse, NY (US)

(72) Inventors: **Cameron James Adams**, Camillus, NY (US); **Brian K. Hanson**, Cicero, NY (US)

(73) Assignee: **PPC BROADBAND, INC.**, Easy Syracuse, NY (US)

(**) Term: **15 Years**

(21) Appl. No.: **29/667,645**

(22) Filed: **Oct. 23, 2018**

(51) **LOC (12) Cl.** **13-03**

(52) **U.S. Cl.**
USPC **D13/184**

(58) **Field of Classification Search**
USPC D13/103, 107, 108, 110, 118, 119, 123, D13/133, 137.1-137.4, 138.1-138.2, D13/139.1-139.8, 152-154, 184, 199
CPC H01R 25/00; H01R 25/006; H01R 13/00; H01R 13/04; H01R 13/10; H01R 13/6666; H01R 13/6675; H01R 9/00; H01R 11/00; H01R 4/48; H01R 9/05; H01R 9/22; H01R 12/00; H01R 13/44; H01H 2207/00; H01H 2207/022; H01H 2203/00; H02J 7/00; H02J 7/0003; H02J 7/0011; H02J 7/0013; H02J 7/0054; H02J 7/0055; H02J 7/0057; H01M 2/02; H01M 2/022; H01M 2/0202; H01M 2/0207; H01M 2/0212; H01M 2220/10; H01M 2220/20; Y02E 60/12; Y02E 60/122; Y02E 60/124; Y02E 60/50; H02G 3/08; H02G 3/14; H02G 3/16; H02G 3/18; H05K 5/00; H05K 5/02; H05K 5/0247

See application file for complete search history.

(56) **References Cited**

U.S. PATENT DOCUMENTS

D399,190 S *	10/1998	Dale	D13/184
D452,487 S *	12/2001	Kaplan	D13/184
D508,568 S *	8/2005	Holman	D25/58
D556,680 S *	12/2007	Matsumoto	D13/103
D557,203 S *	12/2007	Grunow	D13/103
D557,204 S *	12/2007	Panbianco	D13/103
D559,778 S *	1/2008	Tsuzuki	D13/110
D580,852 S *	11/2008	Heinzen	D13/103
D699,179 S *	2/2014	Alexander	D13/103
D751,423 S *	3/2016	Baldwin	D10/40
D787,440 S *	5/2017	Pignotti	D13/108
D795,801 S *	8/2017	Fletcher	D13/103
D799,431 S *	10/2017	Joshi	D13/152
D816,035 S *	4/2018	O'Young	D13/133
D817,271 S *	5/2018	Hutchinson	D13/108
D832,210 S *	10/2018	Janos	D13/110
D832,781 S *	11/2018	Nook	D13/107
D832,782 S *	11/2018	Leabman	D13/108
D844,556 S *	4/2019	Irfan	D13/103
D850,386 S *	6/2019	Otzelberger	D13/152

(Continued)

Primary Examiner — Rosemary K Tarcza

Assistant Examiner — Christy M Nemeth

(74) *Attorney, Agent, or Firm* — Oliff PLC

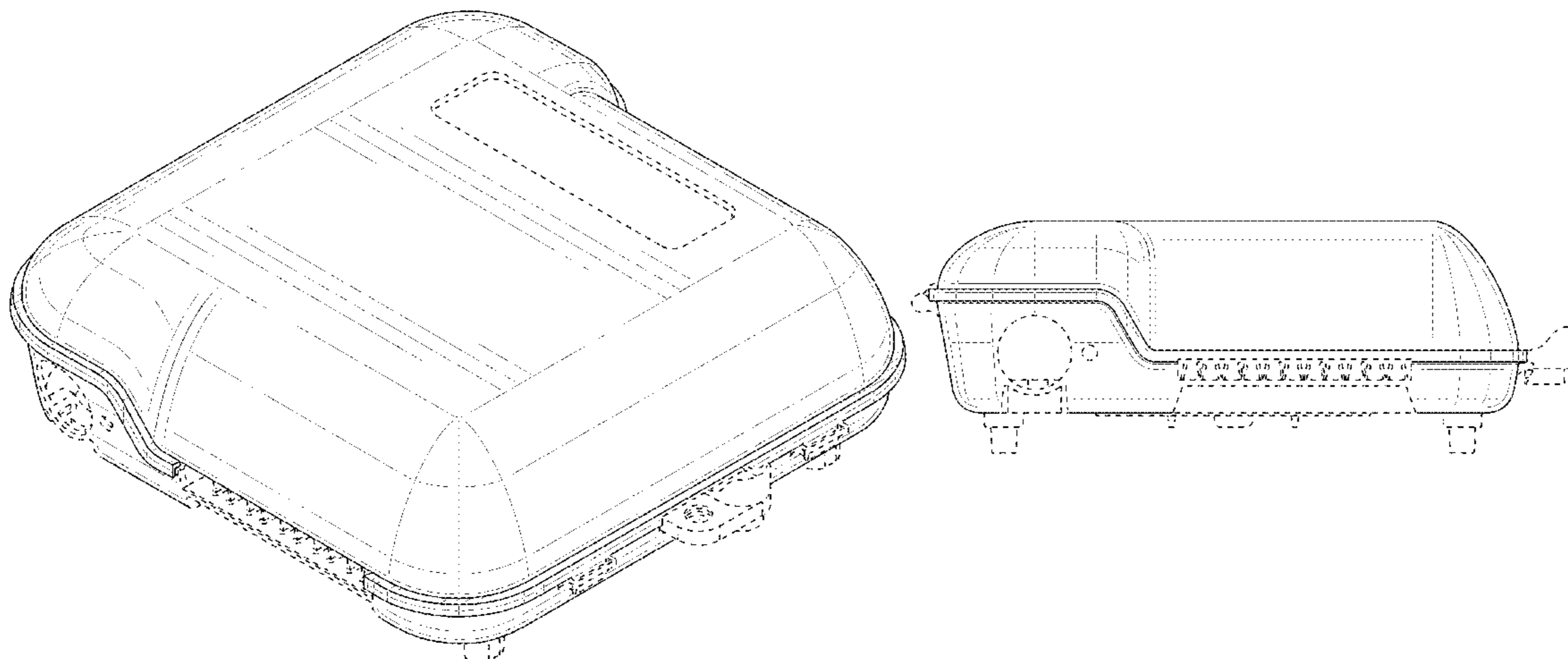
(57) **CLAIM**

The ornamental design for a house box, as shown and described.

DESCRIPTION

FIG. 1 is a front, top, left-side view of the house box;
FIG. 2 is a front elevational view thereof;
FIG. 3 is a rear elevational view thereof;
FIG. 4 is a right-side elevational view thereof;
FIG. 5 is a left-side elevational view thereof;
FIG. 6 is a top plan view thereof; and,
FIG. 7 is a bottom plan view thereof.

(Continued)



The broken lines in the drawings depict portions of the house box that form no part of the claimed design.

1 Claim, 7 Drawing Sheets

(56)

References Cited

U.S. PATENT DOCUMENTS

D856,275 S *	8/2019	Laurino	D13/103
D856,927 S *	8/2019	Eppinger	D13/110
2009/0211779 A1 *	8/2009	Drane	H02G 3/14
			174/67
2017/0155237 A1 *	6/2017	Kobayashi	B60R 16/0239
2017/0164488 A1 *	6/2017	Sasaki	H05K 5/006
2017/0353020 A1 *	12/2017	Yamashita	H05K 7/20445
2019/0190243 A1 *	6/2019	Mullen	H02G 3/14

* cited by examiner

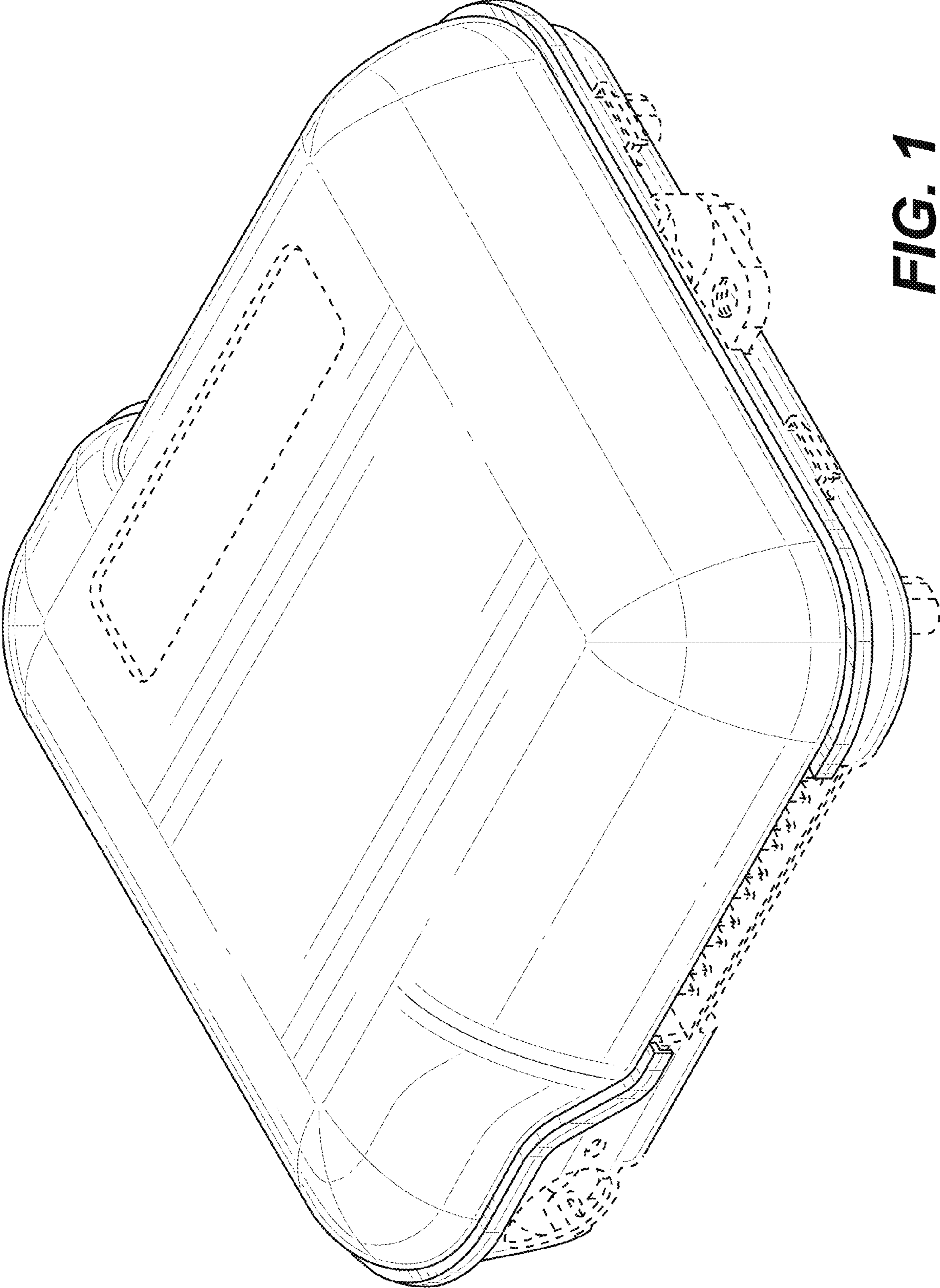


FIG. 1

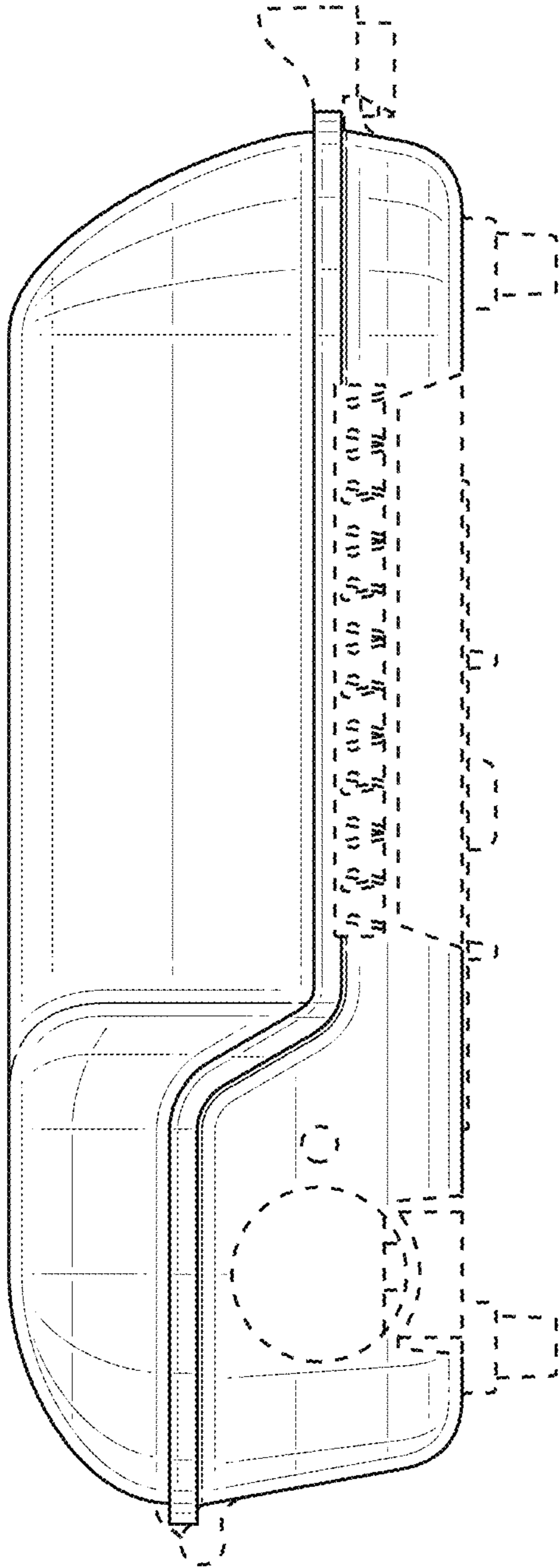


FIG. 2

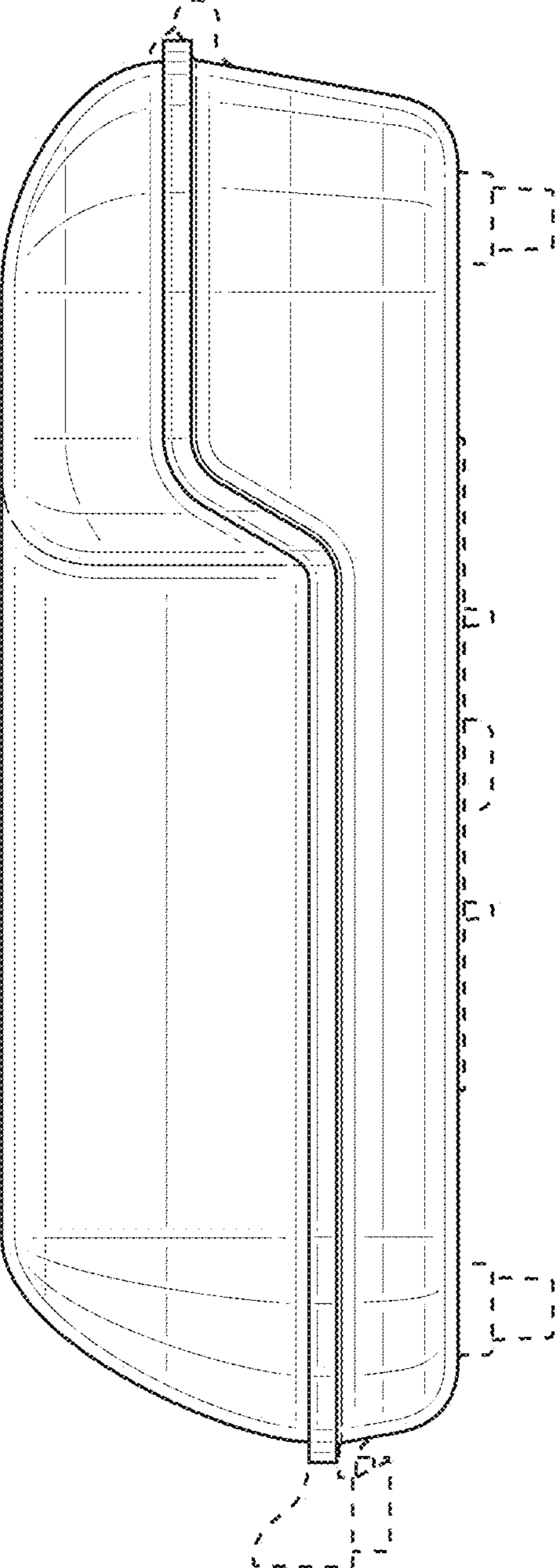


FIG. 3

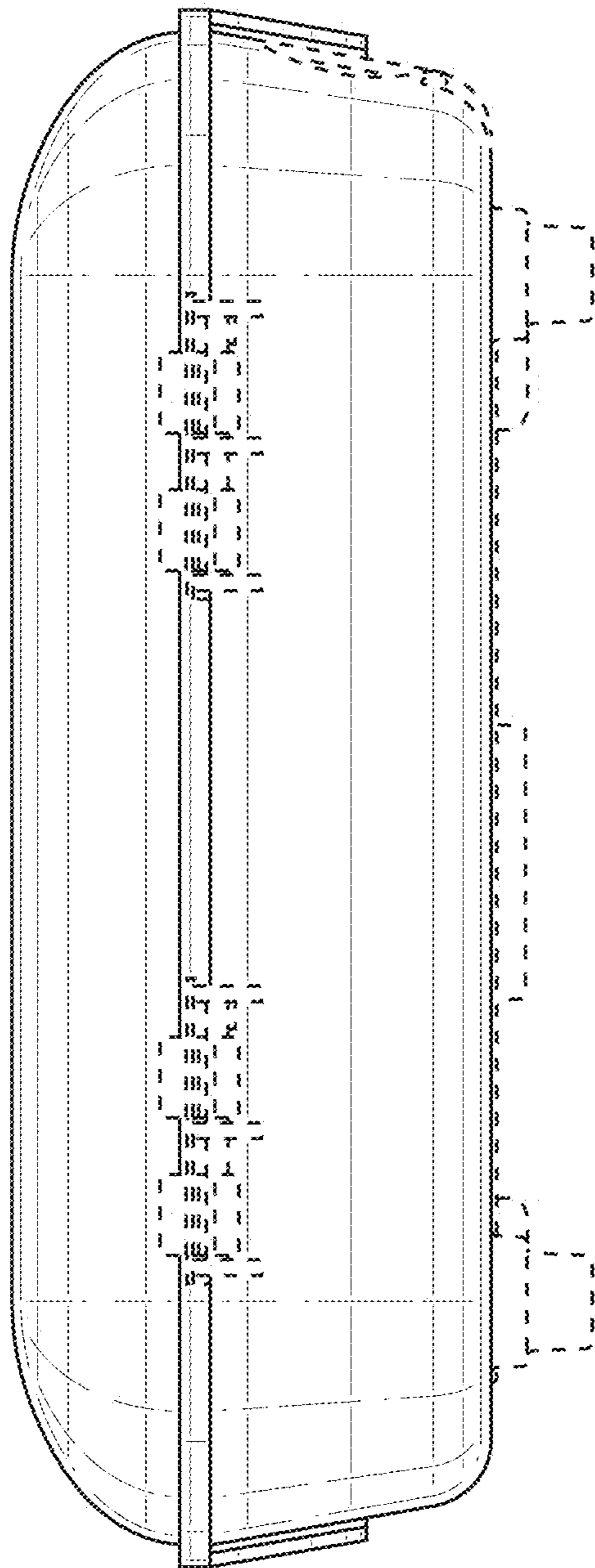


FIG. 4

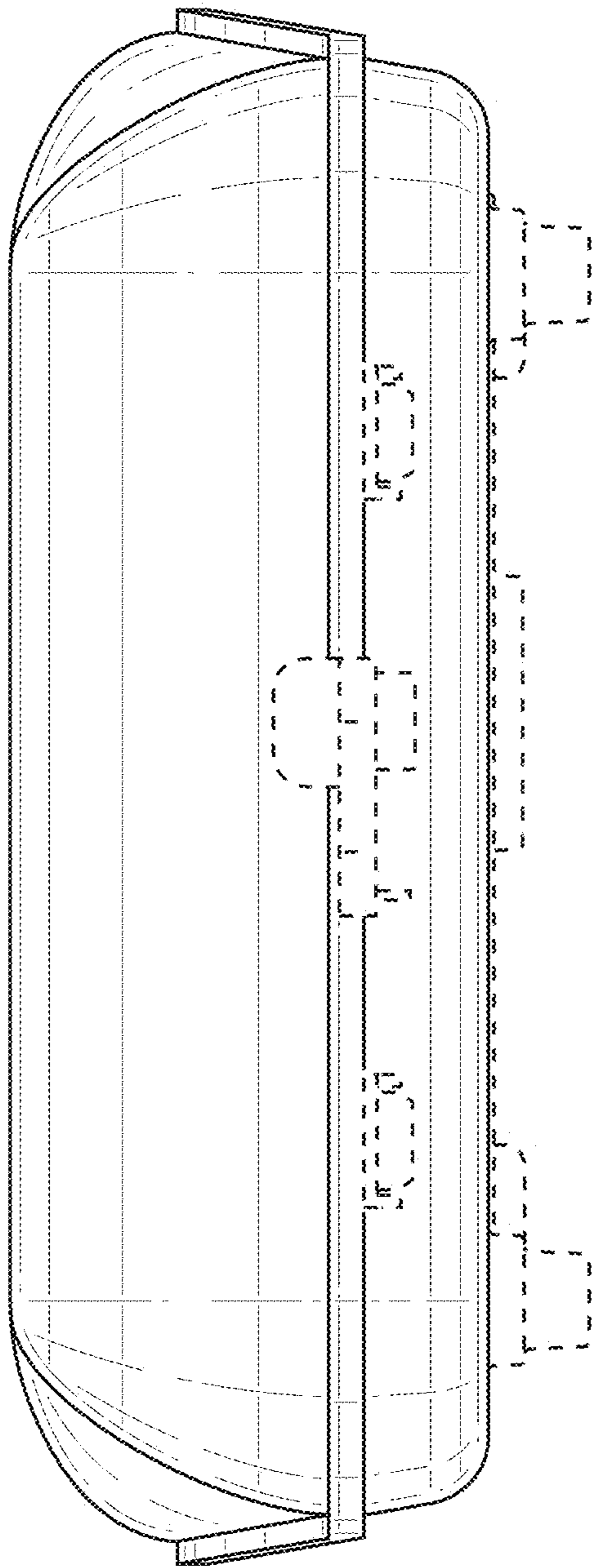


FIG. 5

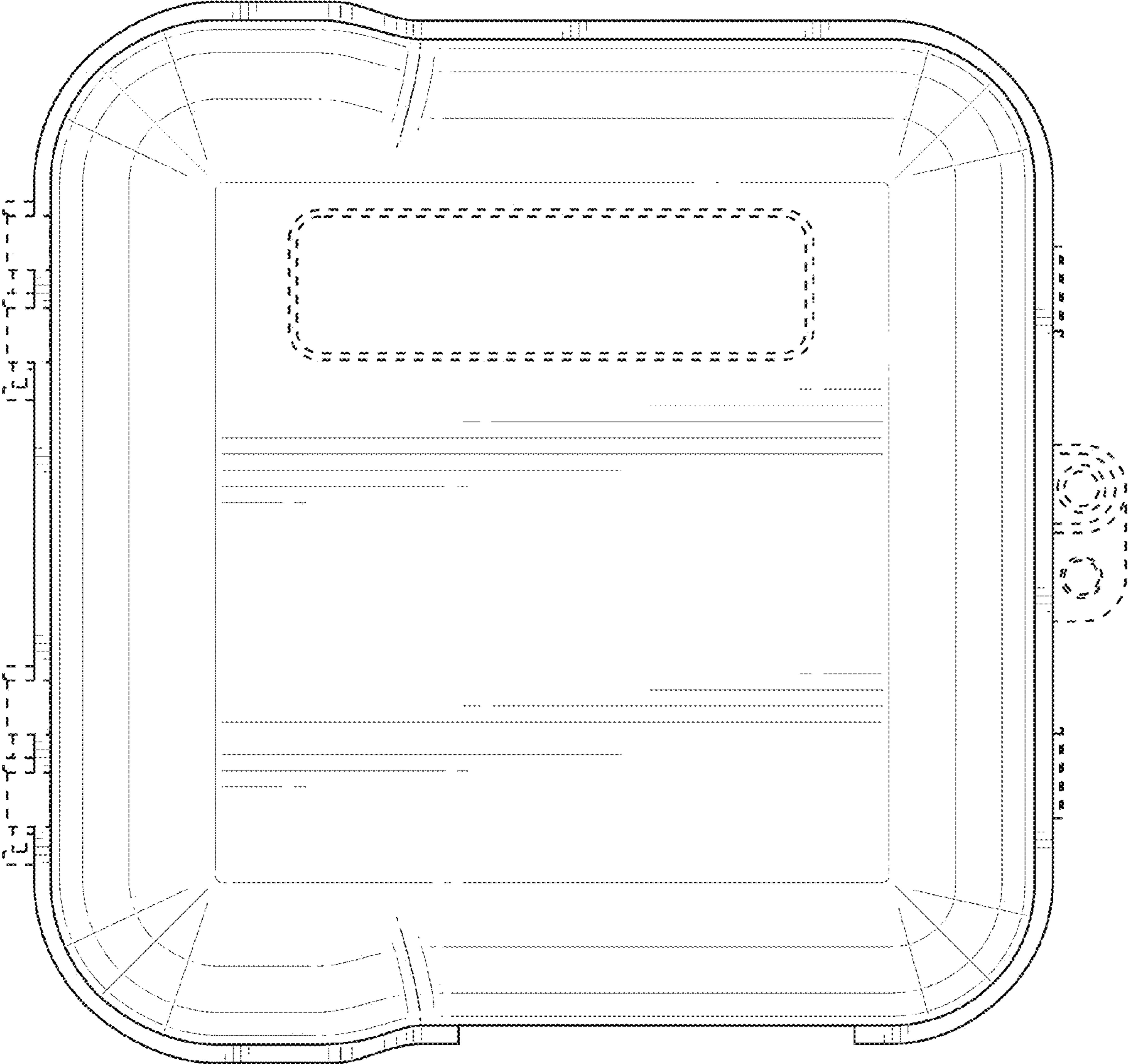


FIG. 6

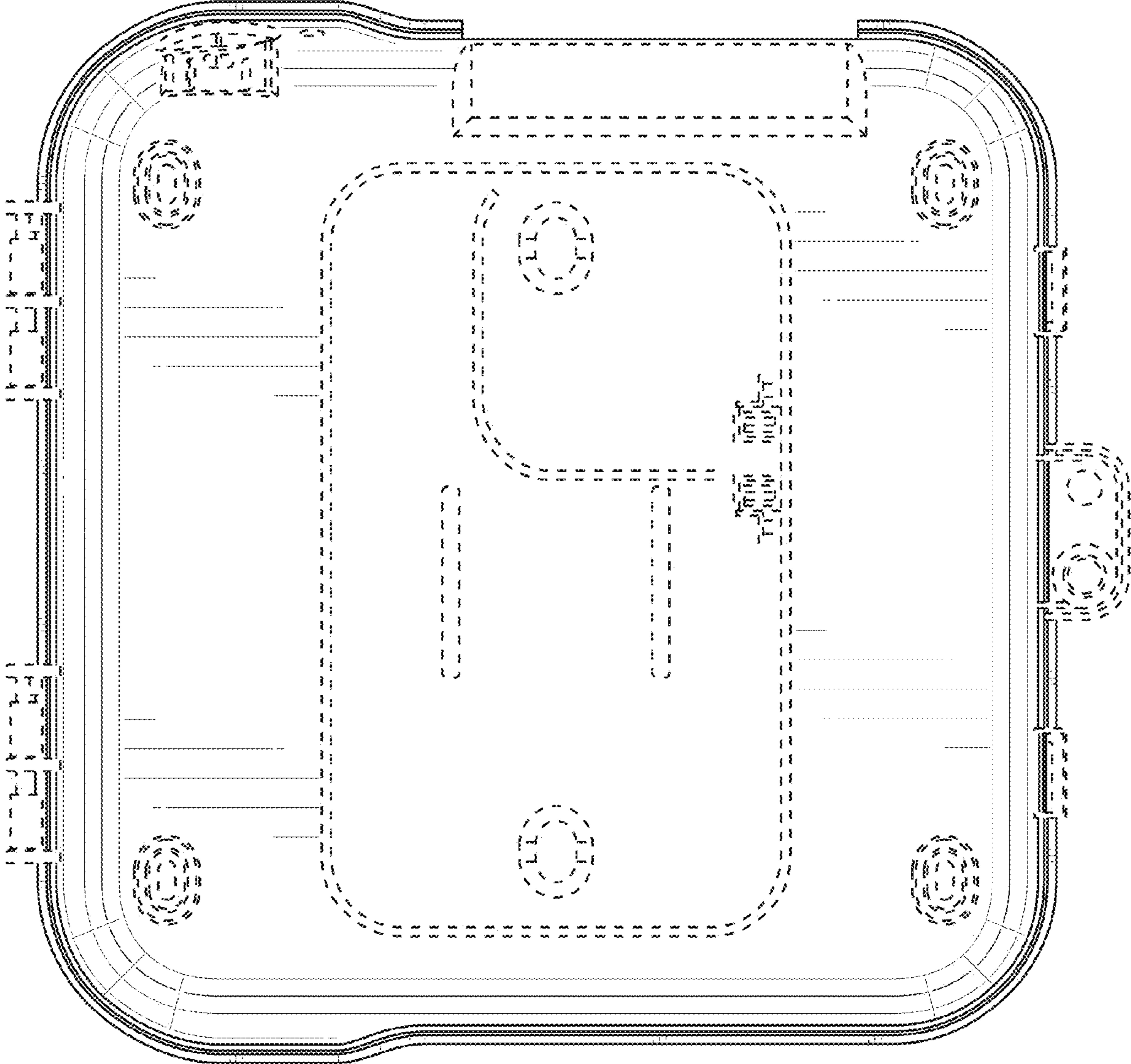


FIG. 7