



US00D874407S

(12) **United States Design Patent**  
**Gentsch et al.**

(10) **Patent No.:** **US D874,407 S**

(45) **Date of Patent:** **\*\* Feb. 4, 2020**

(54) **SWITCH**

(71) Applicant: **ABB Schweiz AG**, Baden (CH)

(72) Inventors: **Dietmar Gentsch**, Ratingen (DE);  
**Oliver Baier**, Duesseldorf (DE);  
**Werner Ebbinghaus**, Waltrop (DE)

(73) Assignee: **ABB SCHWEIZ AG**, Baden (CH)

(\*\*) Term: **15 Years**

(21) Appl. No.: **29/665,119**

(22) Filed: **Oct. 1, 2018**

(51) **LOC (12) Cl.** ..... **13-03**

(52) **U.S. Cl.**  
USPC ..... **D13/158**

(58) **Field of Classification Search**  
USPC ..... D13/158, 159, 160  
CPC ..... H01H 9/02; H01H 33/02; H01H 33/022;  
H01H 33/32; H01H 33/38; H01H  
33/66207; H01H 33/666; H01H 33/6662;  
H01H 31/20; H02B 5/00; H02B 5/02  
See application file for complete search history.

(56) **References Cited**

**U.S. PATENT DOCUMENTS**

2,238,636 A \* 4/1941 Flurschein ..... H02B 5/00  
200/48 R  
D554,592 S \* 11/2007 Mildes ..... D13/158

D583,332 S \* 12/2008 Shang ..... D13/158  
D658,589 S \* 5/2012 Shang ..... D13/158  
8,440,913 B2 \* 5/2013 Stull ..... H02B 5/00  
174/161 R  
D692,839 S \* 11/2013 Shang ..... D13/158  
D727,270 S \* 4/2015 Gentsch ..... D13/158  
9,328,529 B2 \* 5/2016 Fong ..... E04H 12/08  
D773,403 S \* 12/2016 Shang ..... D13/158  
9,520,698 B2 \* 12/2016 Pare ..... H02B 1/28  
9,666,392 B2 \* 5/2017 Gruenler ..... H01H 33/02  
9,768,594 B2 \* 9/2017 Errico ..... H02B 5/00

\* cited by examiner

*Primary Examiner* — Selina Sikder

(74) *Attorney, Agent, or Firm* — Leydig, Voit & Mayer,  
Ltd.

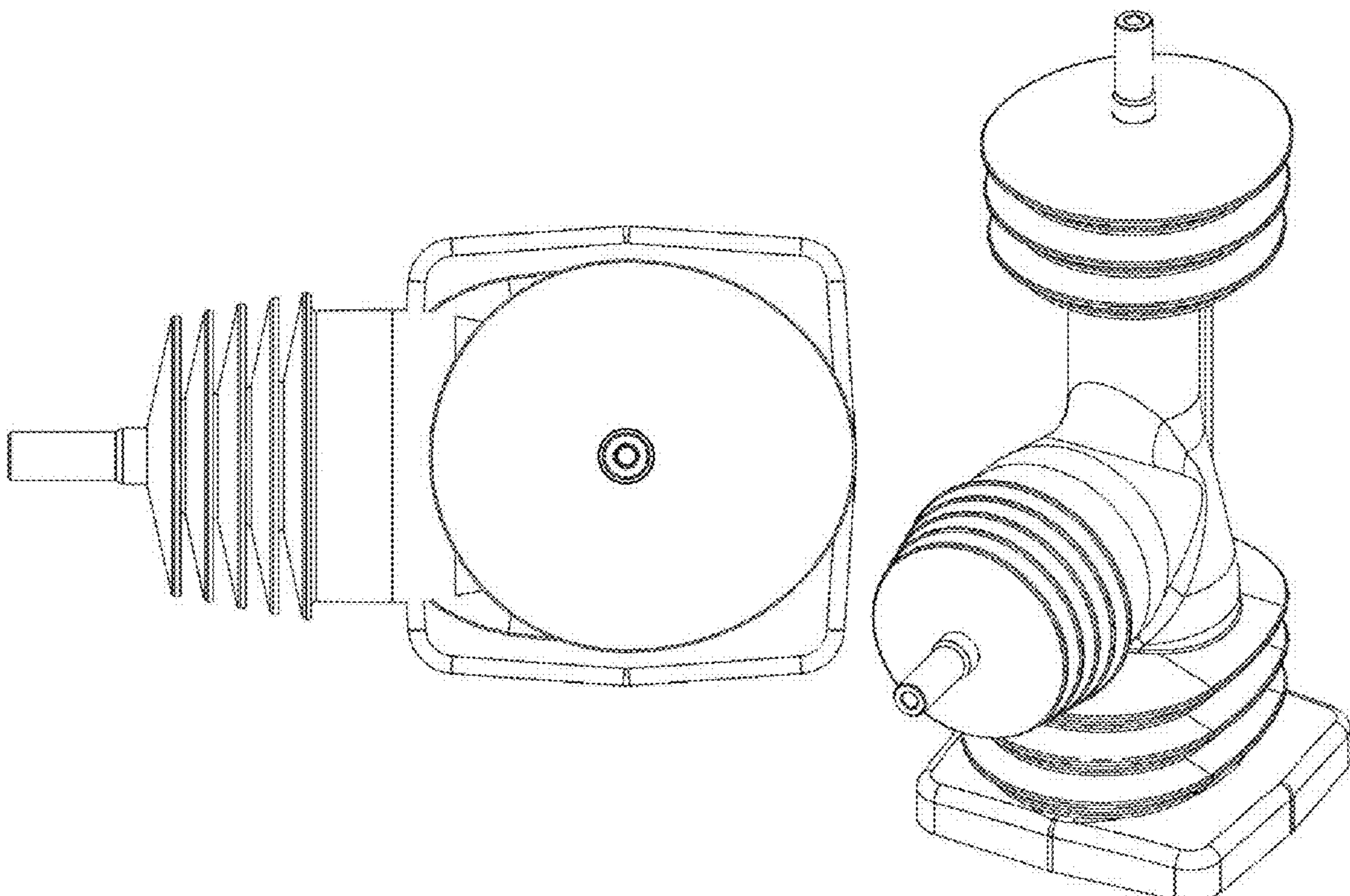
(57) **CLAIM**

The ornamental design for a switch, as shown and described.

**DESCRIPTION**

FIG. 1 is a front view of the switch showing our new design;  
FIG. 2 is a back view thereof;  
FIG. 3 is a first side view thereof;  
FIG. 4 is a second side view thereof, the second side being  
opposite the first side;  
FIG. 5 is a top view thereof;  
FIG. 6 is a bottom view thereof, and,  
FIG. 7 is a front-top perspective view thereof.

**1 Claim, 7 Drawing Sheets**



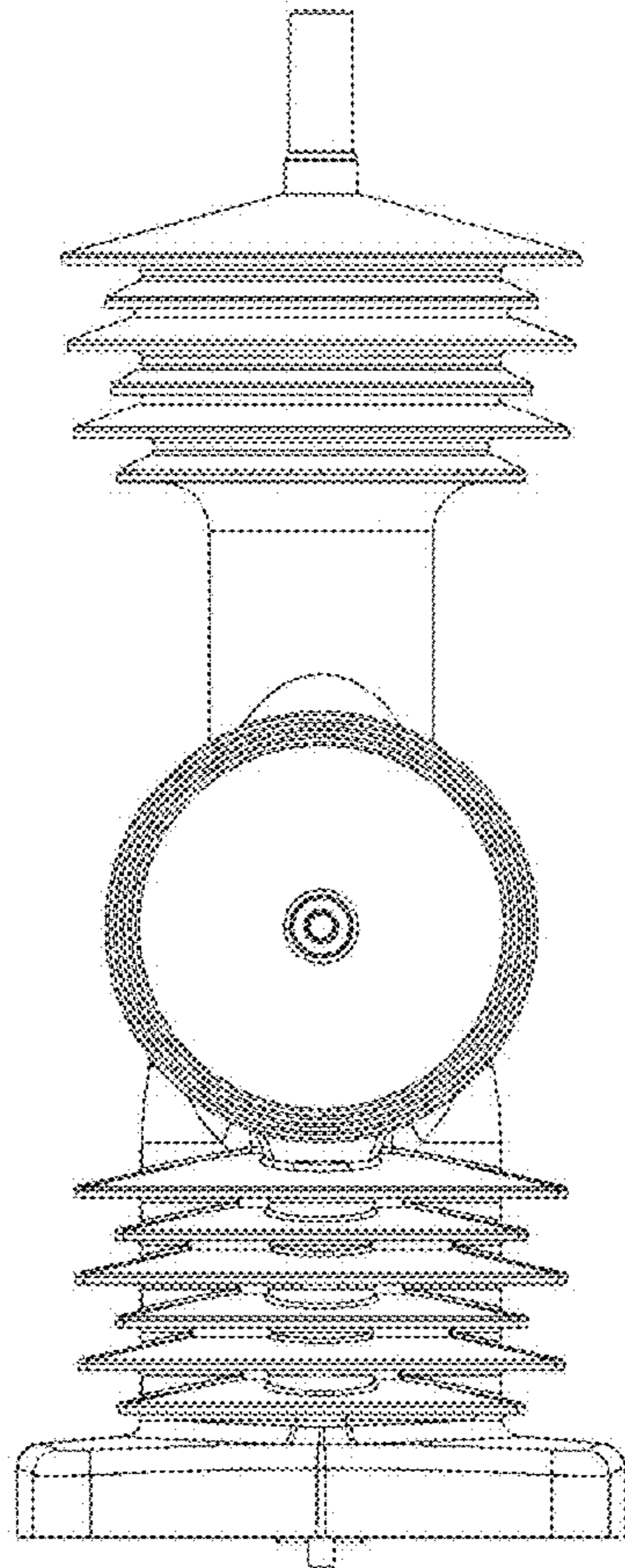


FIG. 1

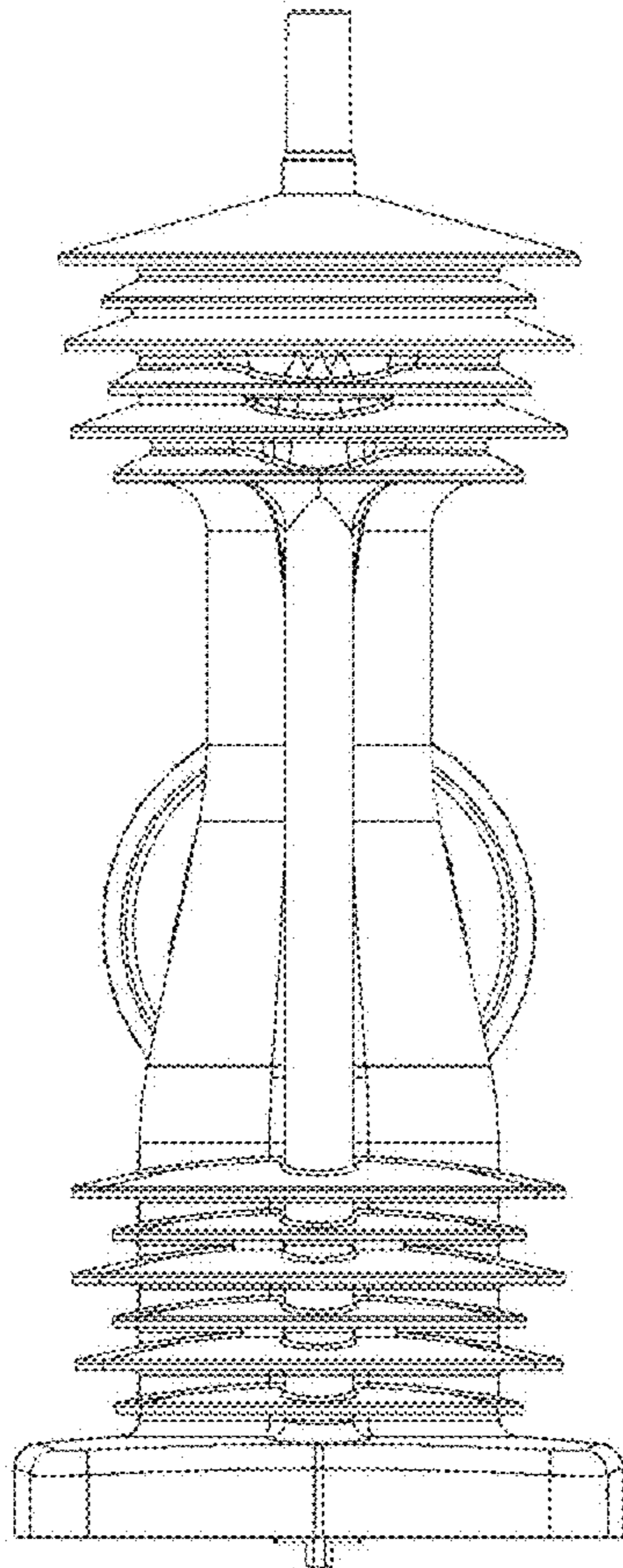


FIG. 2

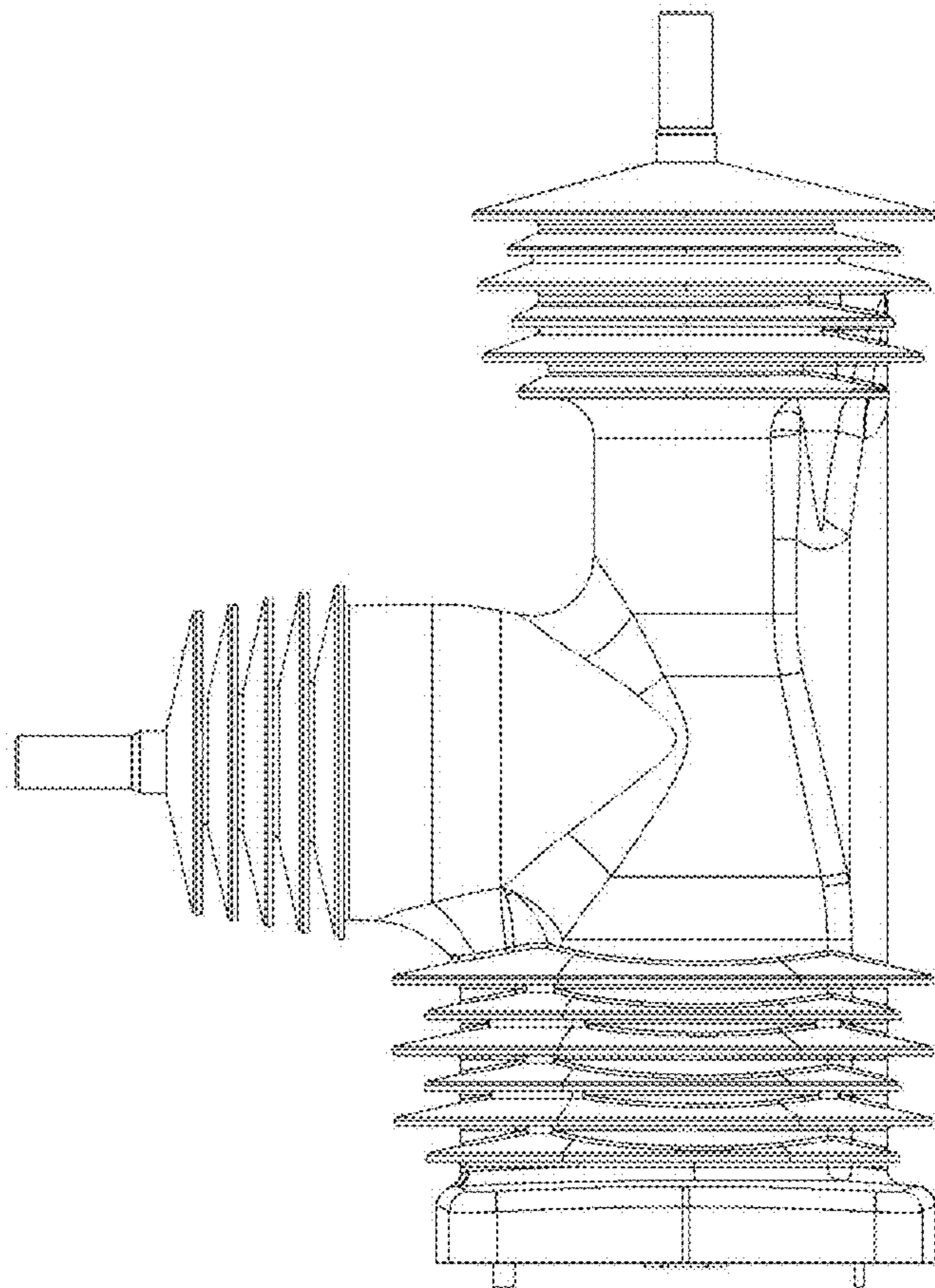


FIG. 3

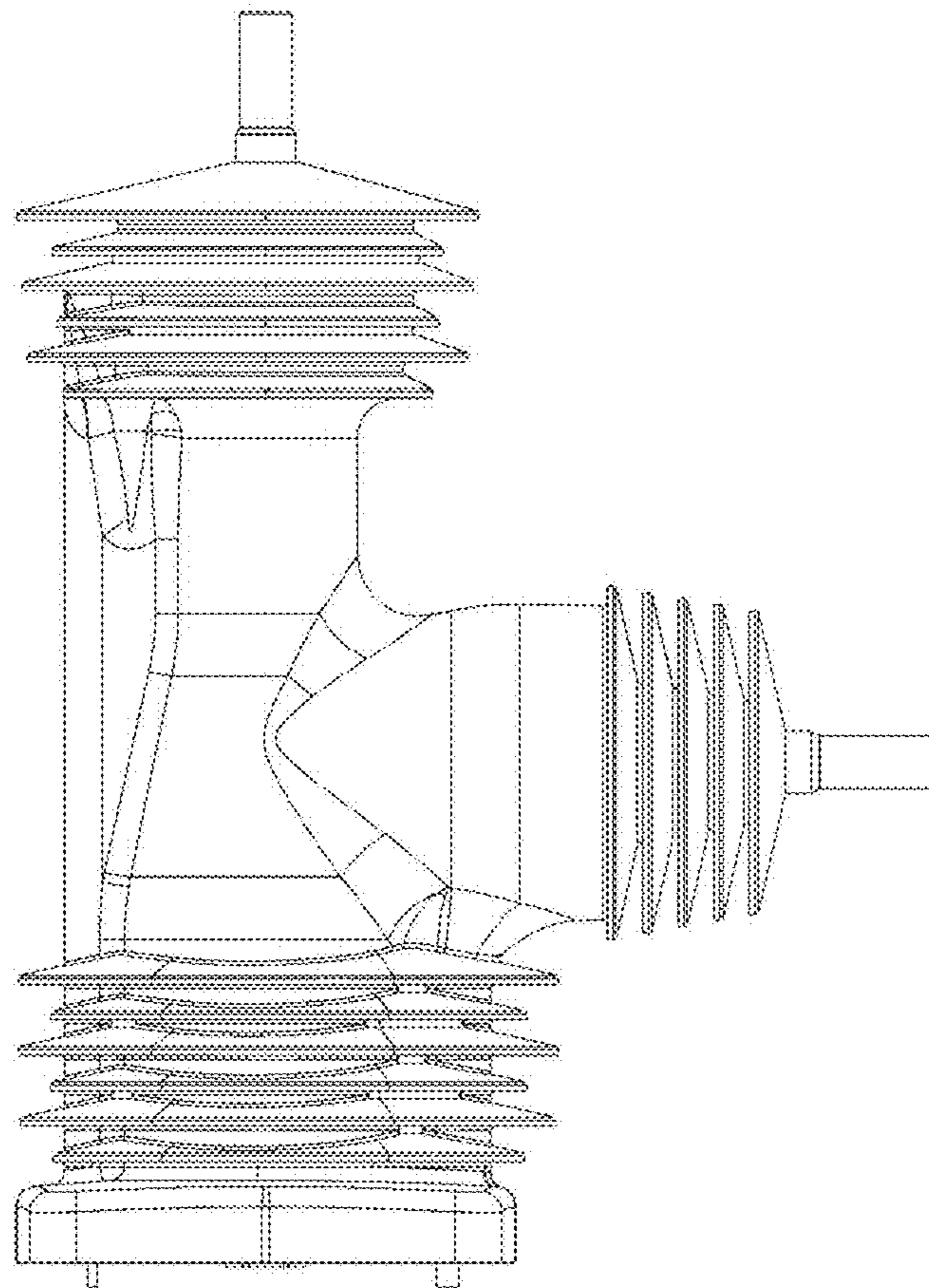


FIG. 4

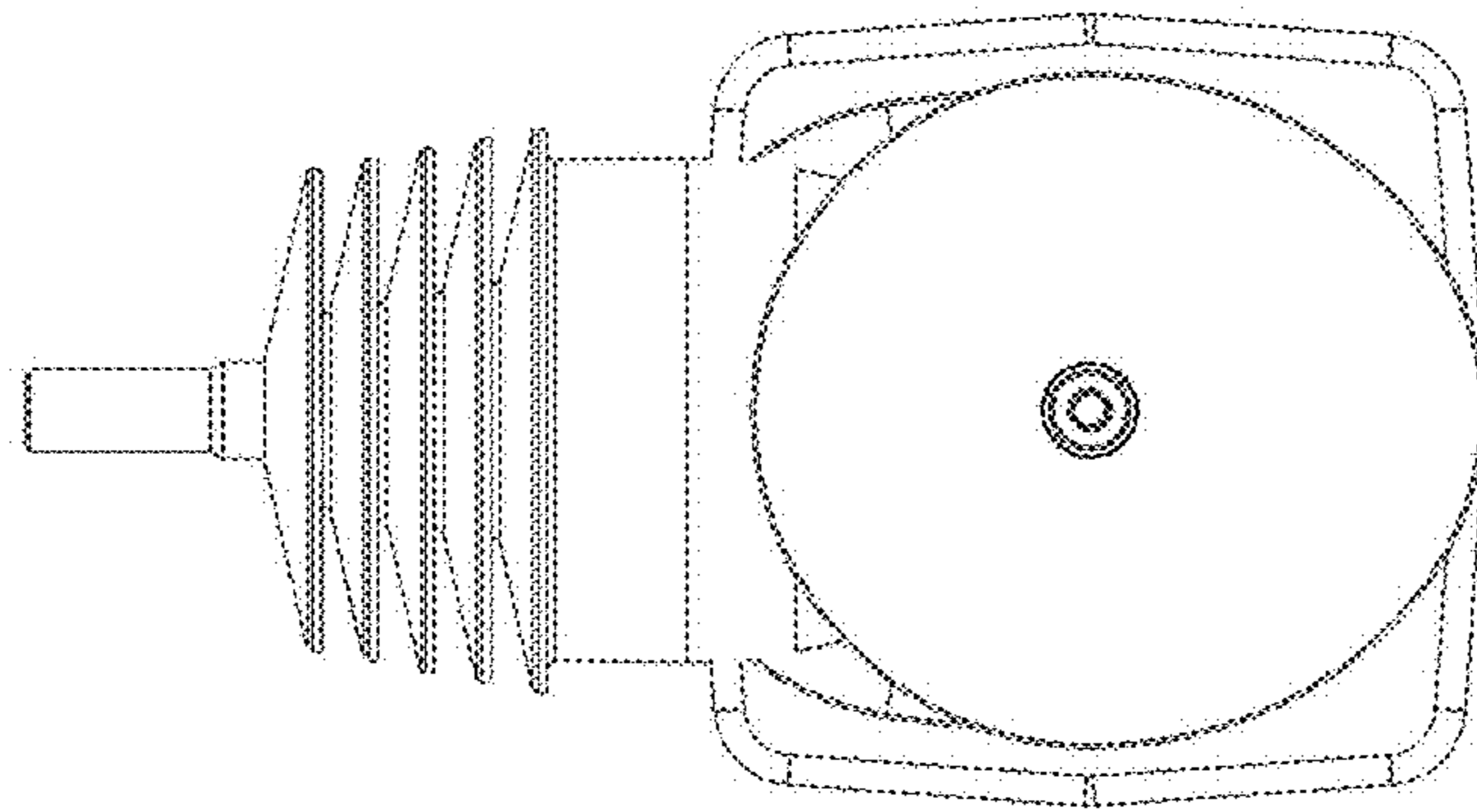


FIG. 5

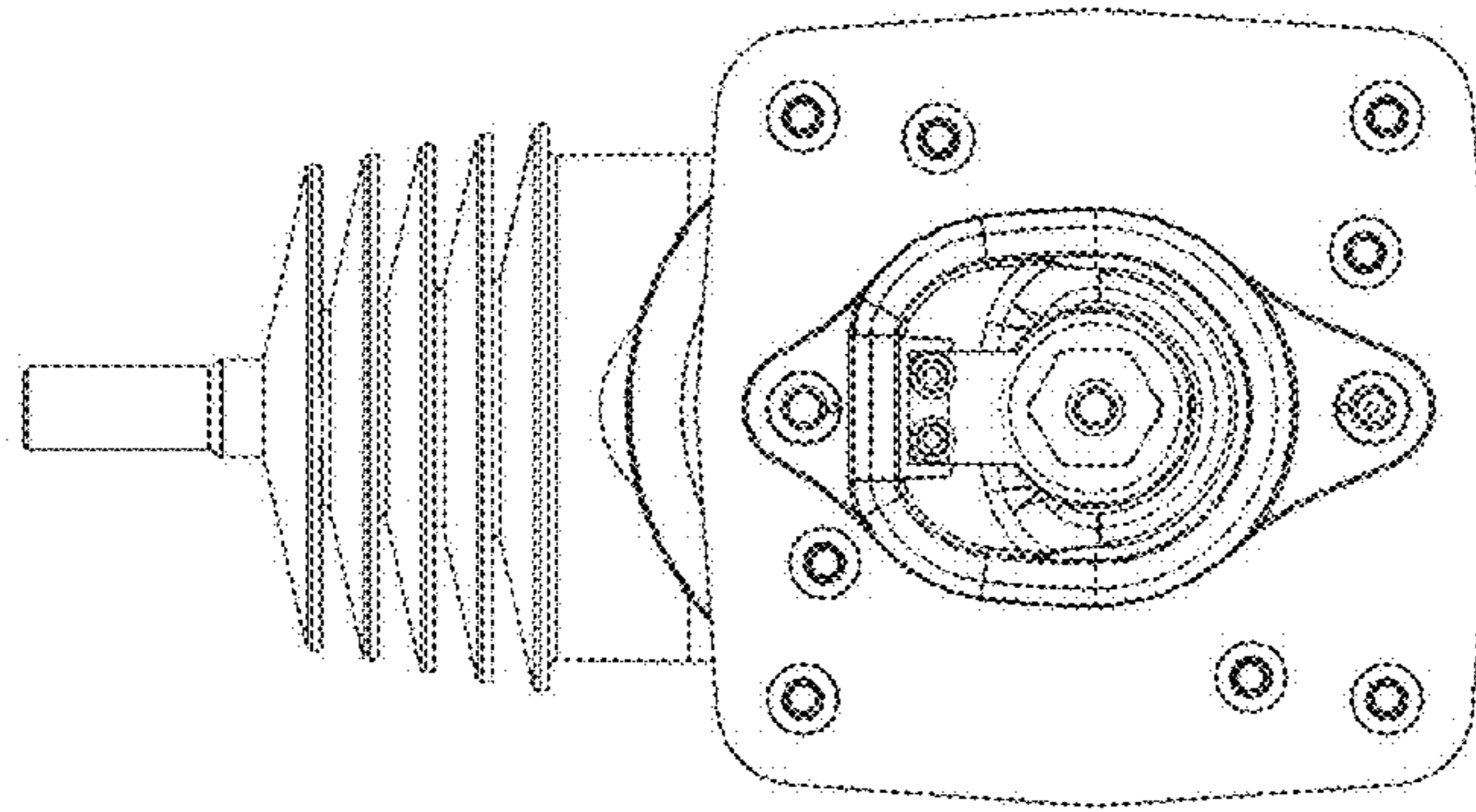


FIG. 6

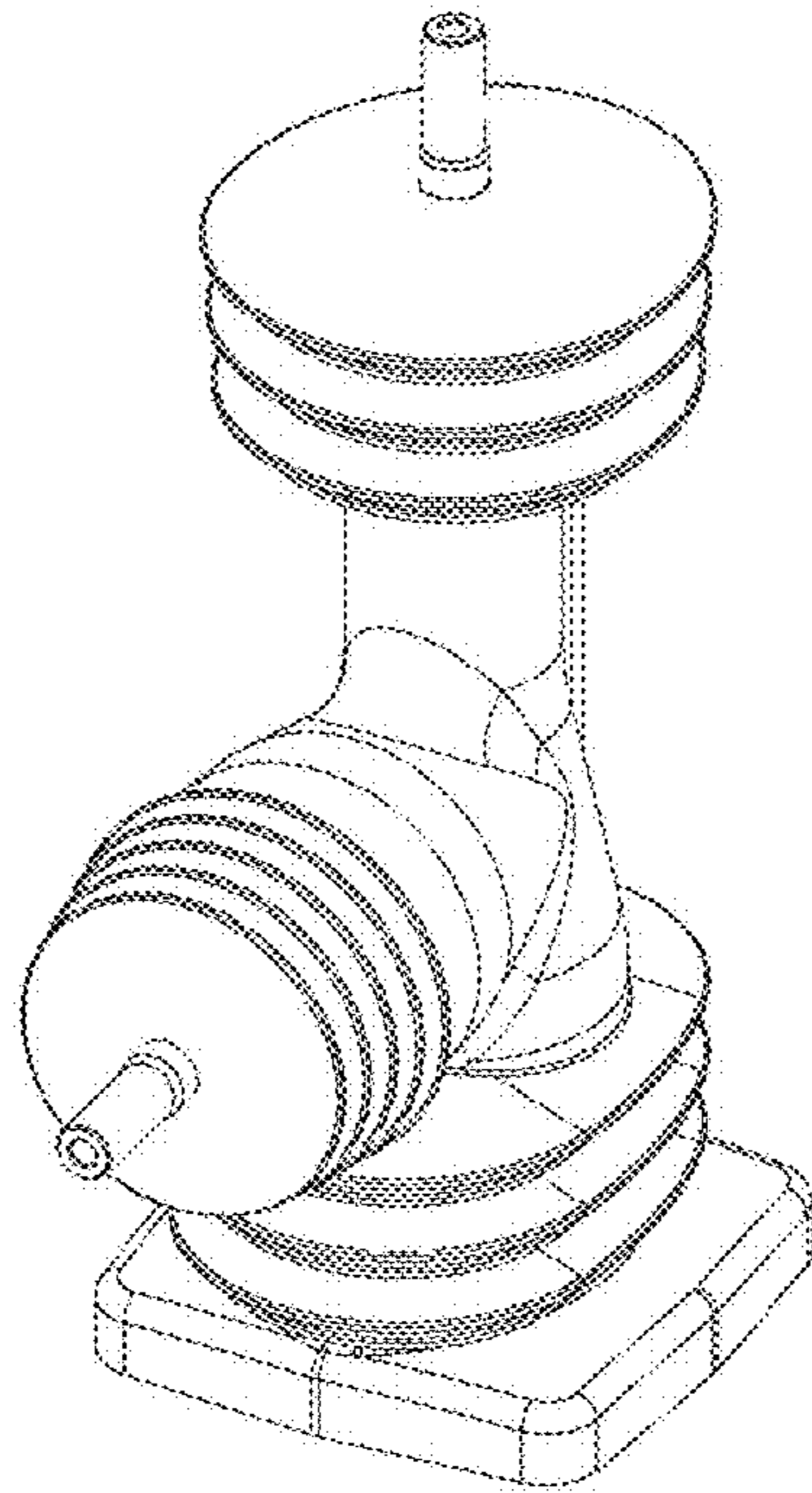


FIG. 7