



US00D874406S

(12) **United States Design Patent**  
**Morelli et al.**

(10) **Patent No.:** **US D874,406 S**

(45) **Date of Patent:** **\*\* Feb. 4, 2020**

(54) **ELECTRICAL CURRENT SWITCHING DEVICE**

(71) Applicant: **ABB Schweiz AG**, Baden (CH)

(72) Inventors: **Emanuele Morelli**, Linarolo (IT);  
**Andrea Delpozzo**, Torbiato di Adro (IT);  
**Oswaldo Prestini**, Nembro (IT);  
**Gabriele Gasparini**, Bergamo (IT)

(73) Assignee: **ABB Schweiz AG**, Baden (CH)

(\*\*) Term: **15 Years**

(21) Appl. No.: **29/661,944**

(22) Filed: **Aug. 31, 2018**

(30) **Foreign Application Priority Data**

Mar. 2, 2018 (EM) ..... 004735934

(51) **LOC (12) Cl.** ..... **13-03**

(52) **U.S. Cl.**  
USPC ..... **D13/158**

(58) **Field of Classification Search**  
USPC ..... D13/158, 159, 160  
CPC ..... H01H 9/02; H01H 33/022; H01H 33/38;  
H01H 33/66207; H01H 33/666; H01H  
33/6662

See application file for complete search history.

(56) **References Cited**

**U.S. PATENT DOCUMENTS**

D558,147 S \* 12/2007 Ruemenapp ..... D13/158  
D686,165 S \* 7/2013 Bullock ..... D13/158  
D726,126 S \* 4/2015 Rizzi ..... D13/158

2012/0119856 A1\* 5/2012 Prestini ..... H01H 3/227  
335/164  
2013/0187733 A1\* 7/2013 Bullock ..... H01H 33/6661  
335/13  
2013/0248338 A1\* 9/2013 Belloni ..... H01H 33/66207  
200/5 A  
2017/0358412 A1\* 12/2017 Delpozza ..... H01F 1/14766  
2018/0350538 A1\* 12/2018 Delpozzo ..... H01H 33/66207

\* cited by examiner

*Primary Examiner* — Selina Sikder

(74) *Attorney, Agent, or Firm* — Taft Stettinius &  
Hollister LLP; J. Bruce Schelkopf

(57) **CLAIM**

The ornamental design for an electrical current switching device, as shown and described.

**DESCRIPTION**

FIG. 1 is a front perspective view of an electrical current switching device.

FIG. 2 is a rear perspective view of an electrical current switching device.

FIG. 3 is a front view of the electrical current switching device shown in FIG. 1.

FIG. 4 is a rear view of the electrical current switching device shown in FIG. 1.

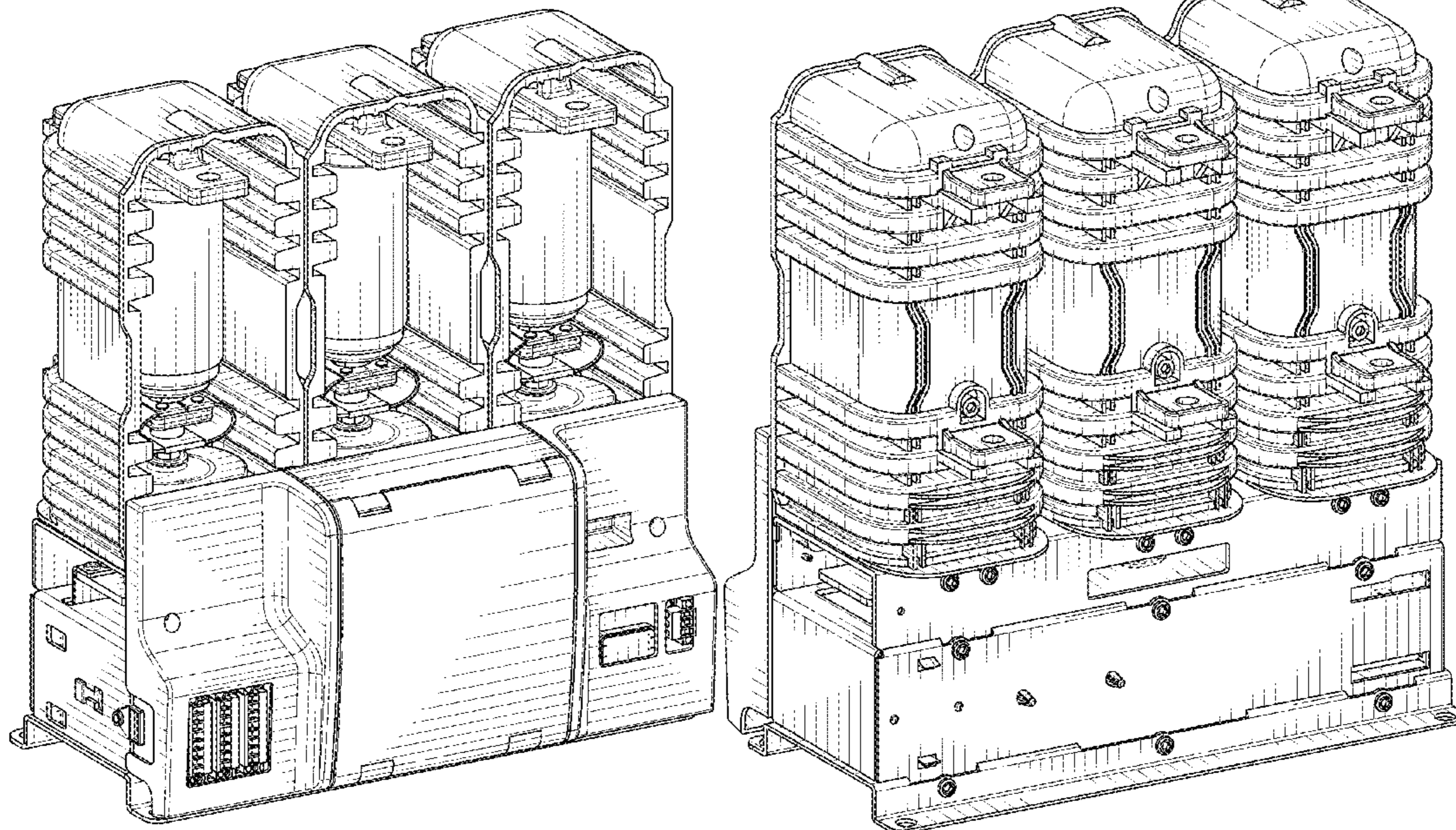
FIG. 5 is a left side view of the electrical current switching device shown in FIG. 1.

FIG. 6 is a right side view of the electrical current switching device shown in FIG. 1.

FIG. 7 is a top view of the electrical current switching device shown in FIG. 1; and,

FIG. 8 is a bottom view of the electrical current switching device shown in FIG. 1.

**1 Claim, 7 Drawing Sheets**



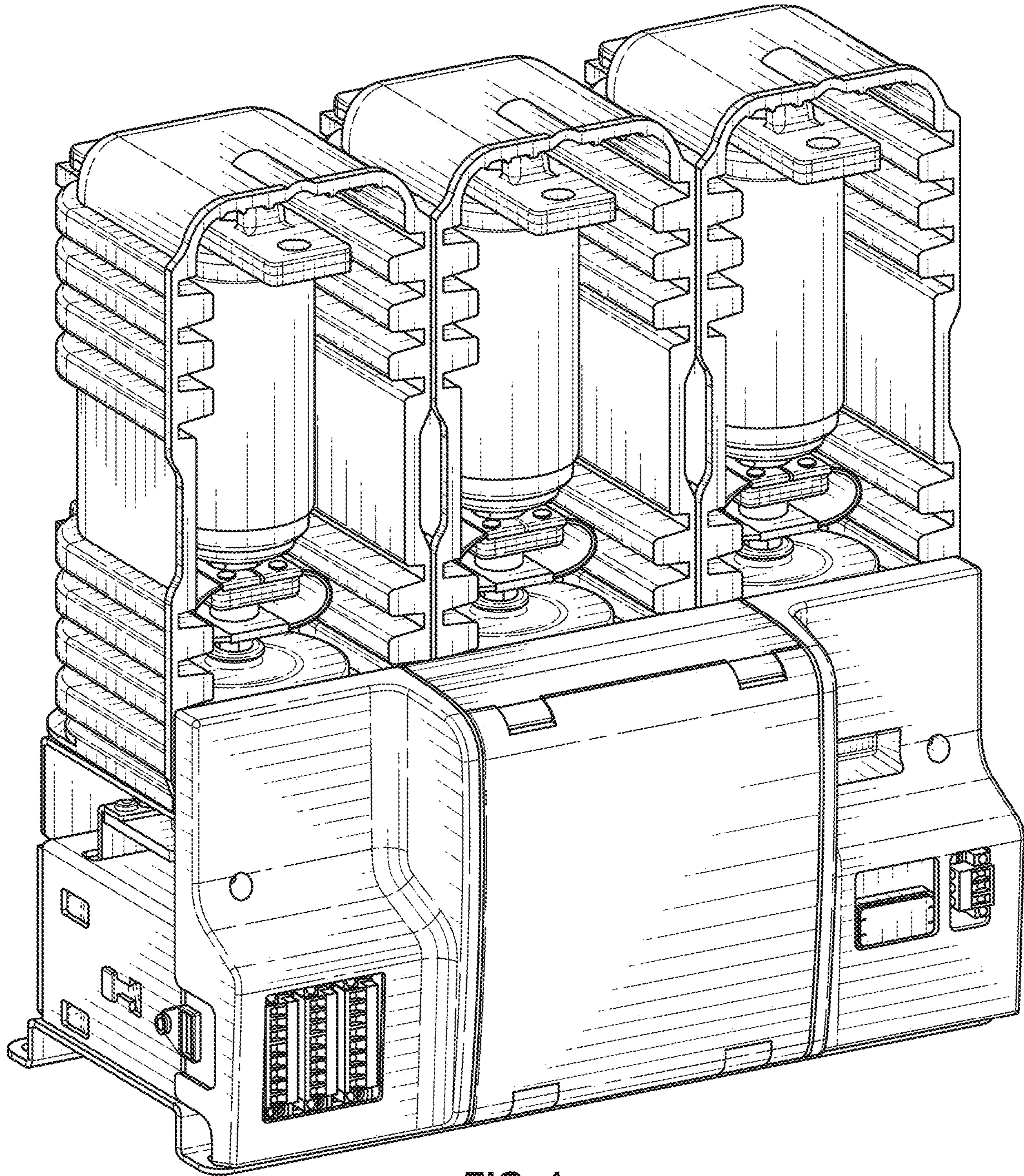


FIG. 1

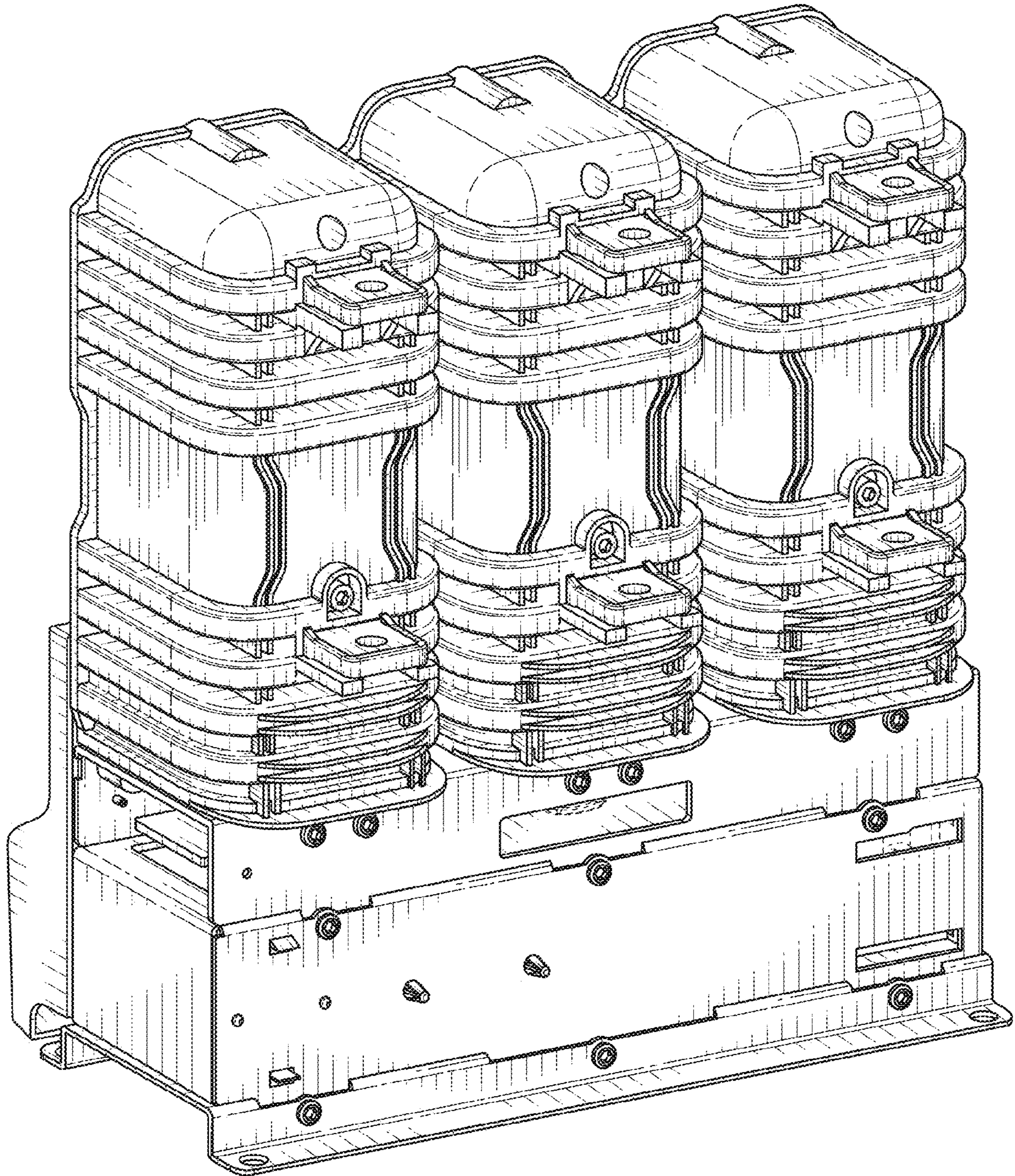


FIG. 2

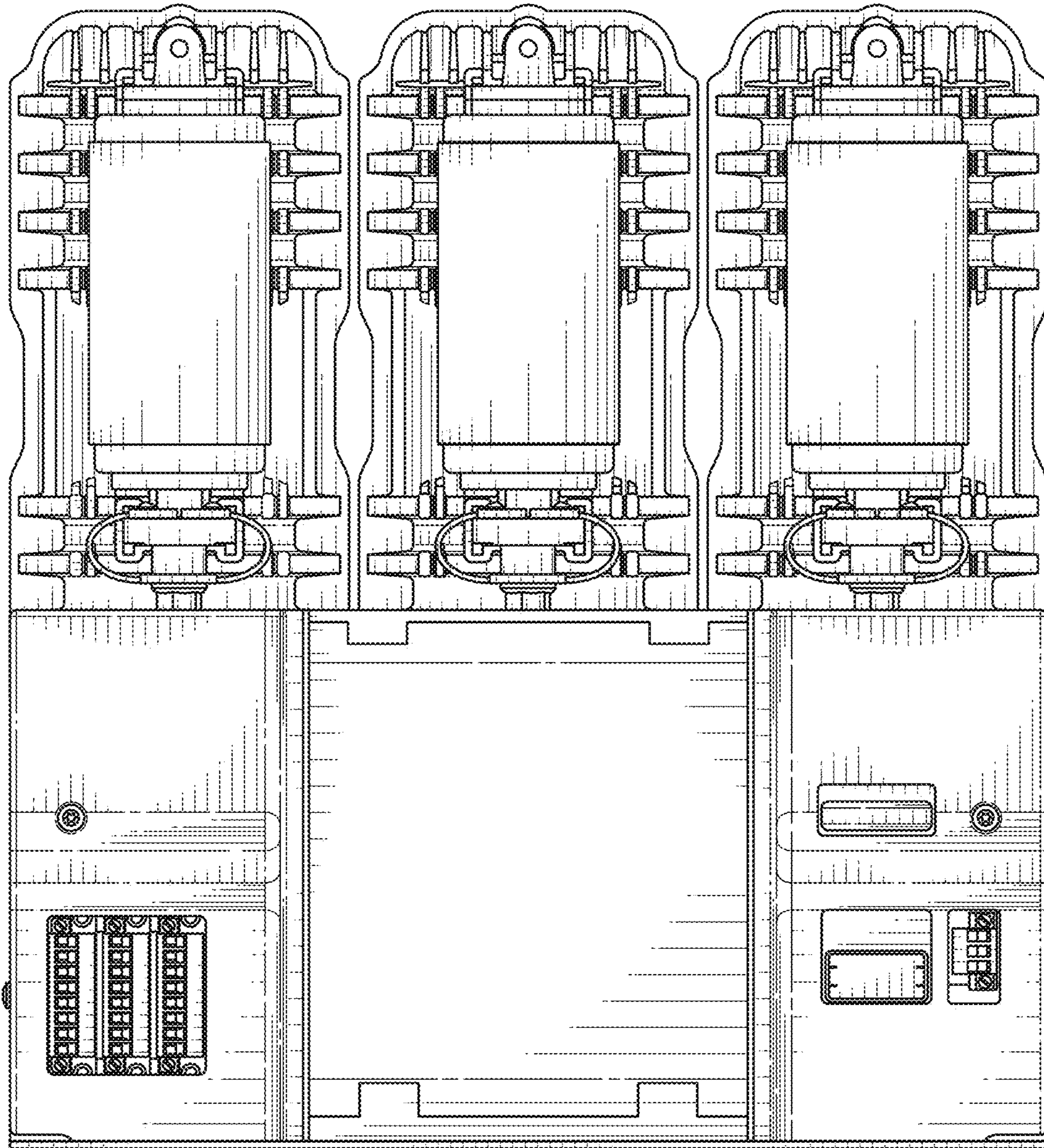


FIG. 3

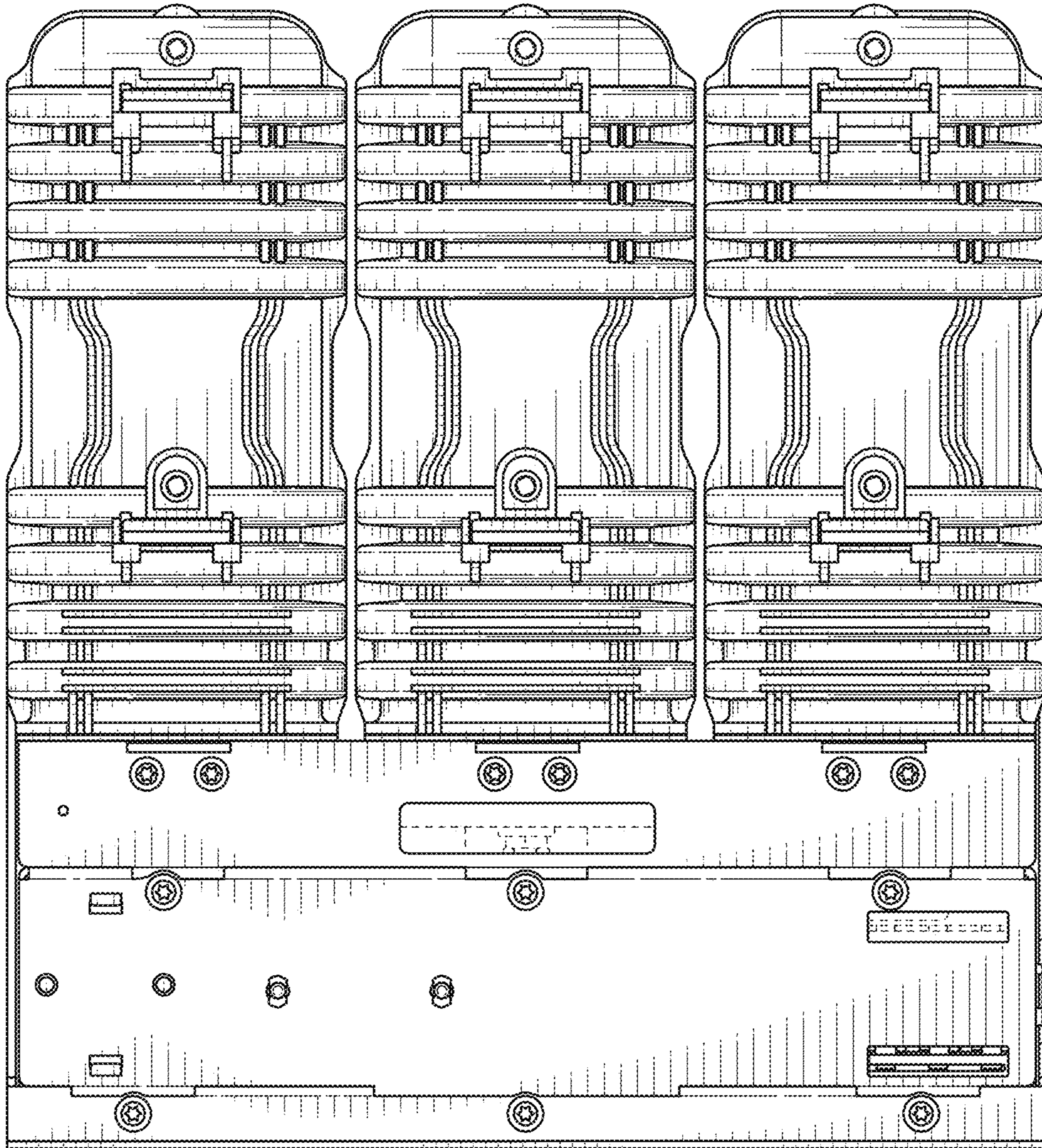


FIG. 4

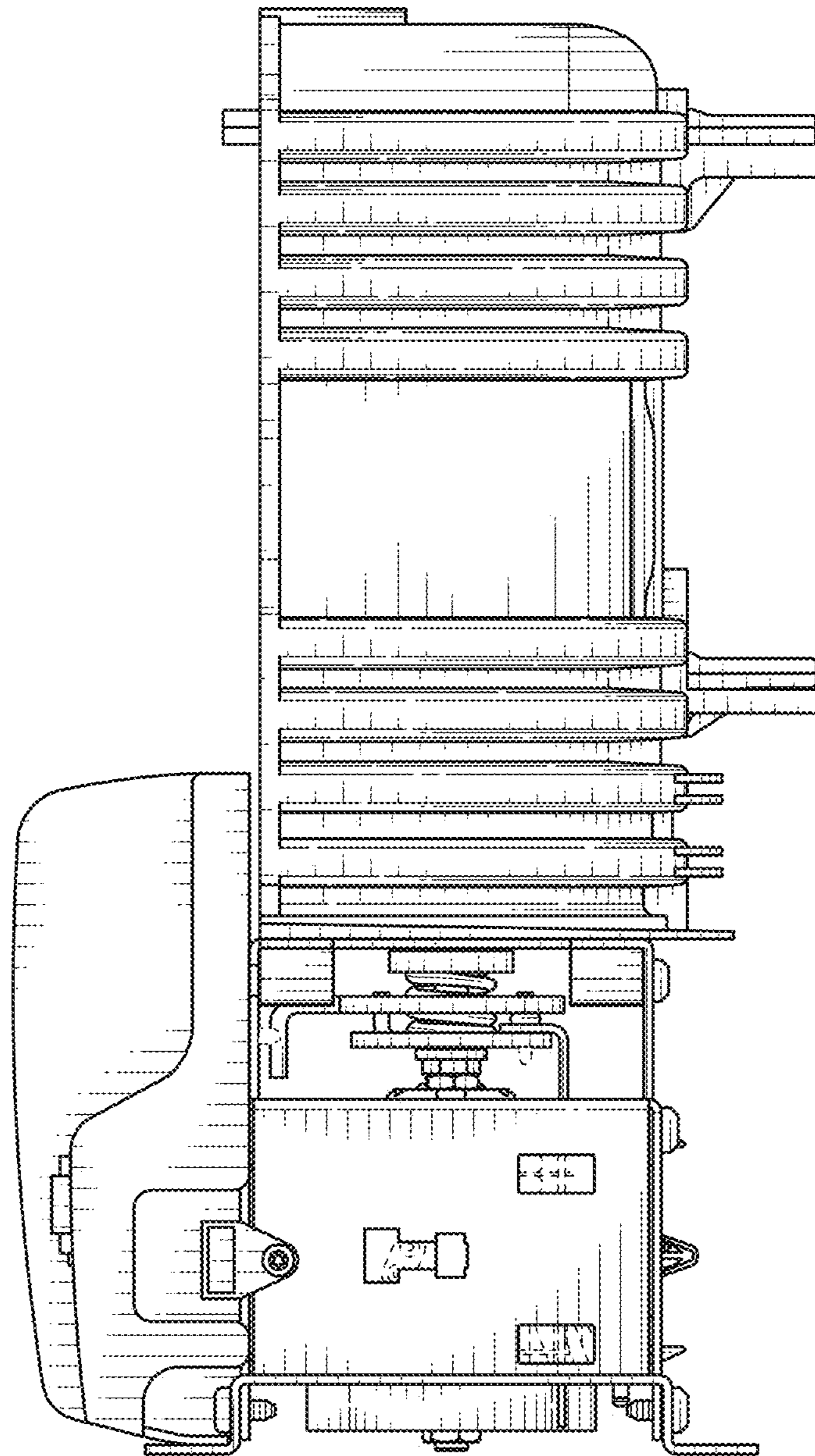


FIG. 5

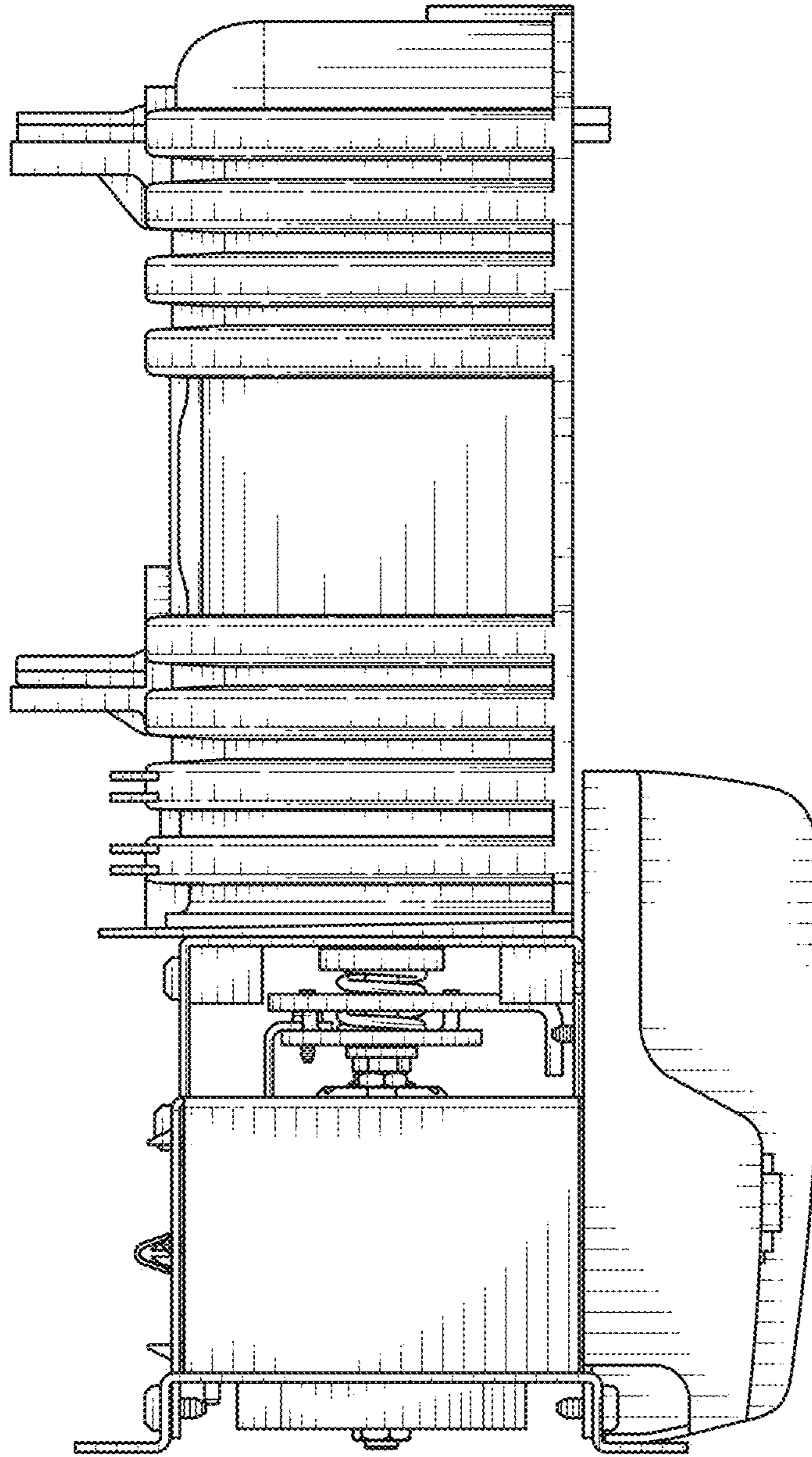


FIG. 6

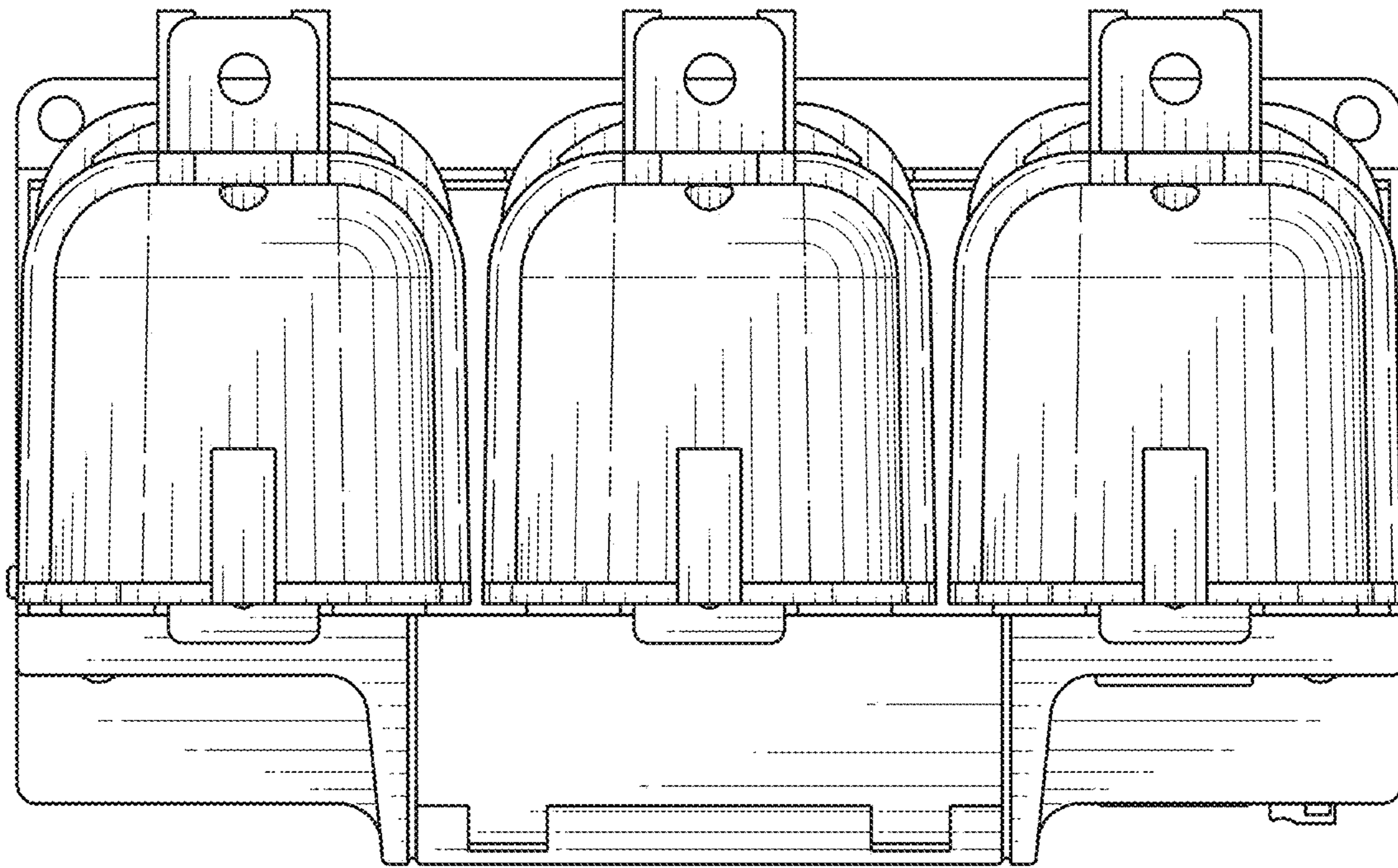


FIG. 7

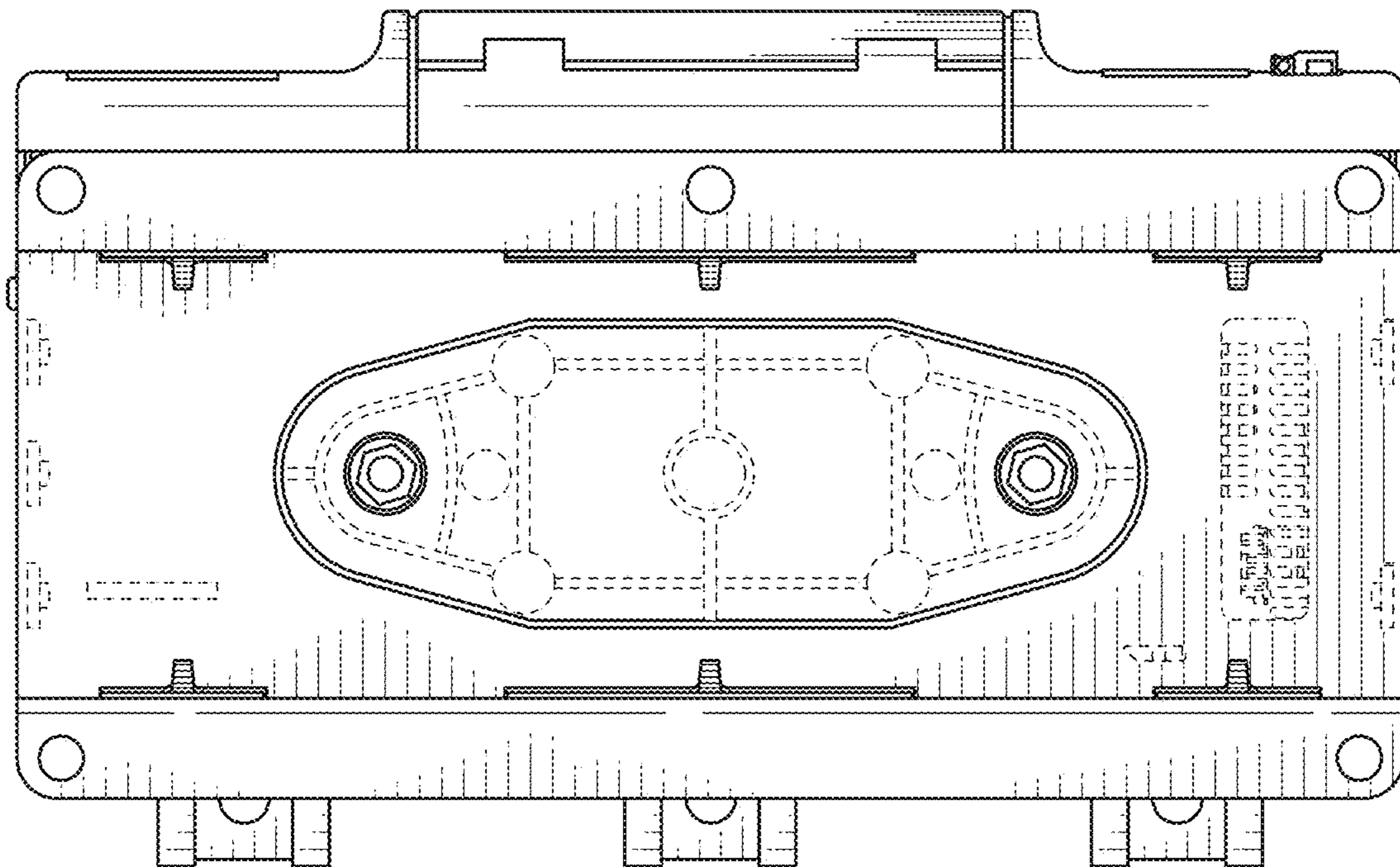


FIG. 8