



US00D874405S

(12) **United States Design Patent**
Nagadome et al.

(10) **Patent No.:** **US D874,405 S**
(45) **Date of Patent:** **** Feb. 4, 2020**

(54) **BUSHING FOR A POWER CABLE CONNECTOR**

(71) Applicant: **HITACHI CHEMICAL COMPANY, LTD.**, Tokyo (JP)

(72) Inventors: **Iori Nagadome**, Tokyo (JP); **Satoshi Kusano**, Tokyo (JP)

(73) Assignee: **HITACHI CHEMICAL COMPANY, LTD.**, Tokyo (JP)

(**) Term: **15 Years**

(21) Appl. No.: **29/646,322**

(22) Filed: **May 3, 2018**

(30) **Foreign Application Priority Data**

Nov. 6, 2017 (JP) 2017-024726

(51) **LOC (12) Cl.** **13-03**

(52) **U.S. Cl.**
USPC **D13/153**

(58) **Field of Classification Search**
USPC D13/107–110, 137.1–137.4, 138.1–138.2,
D13/139.1–139.8, 149–157, 199, 133;
D14/432, 433, 435.1; D8/350, 353–356
CPC H01R 25/00; H01R 25/003; H01R 25/006;
H01R 11/00; H01R 9/00; H01R 13/5845;
H01R 13/72; H01R 13/46; H01R 31/06;
H01R 24/28; H02J 2007/0062; H01B
7/2806; A61F 2/962
See application file for complete search history.

(56) **References Cited**

U.S. PATENT DOCUMENTS

D633,051 S * 2/2011 Nurmi D13/155
D653,206 S * 1/2012 Heine D13/108

D767,490 S * 9/2016 Bose D13/119
D802,033 S * 11/2017 Waterman D15/143
D810,679 S * 2/2018 Patton D13/108
D826,867 S * 8/2018 Pausan D13/153
D852,739 S * 7/2019 Becker D13/108
D856,926 S * 8/2019 Yoon D13/108

* cited by examiner

Primary Examiner — Rosemary K Tarcza

Assistant Examiner — Christy M Nemeth

(74) *Attorney, Agent, or Firm* — Fitch, Even, Tabin & Flannery, LLP

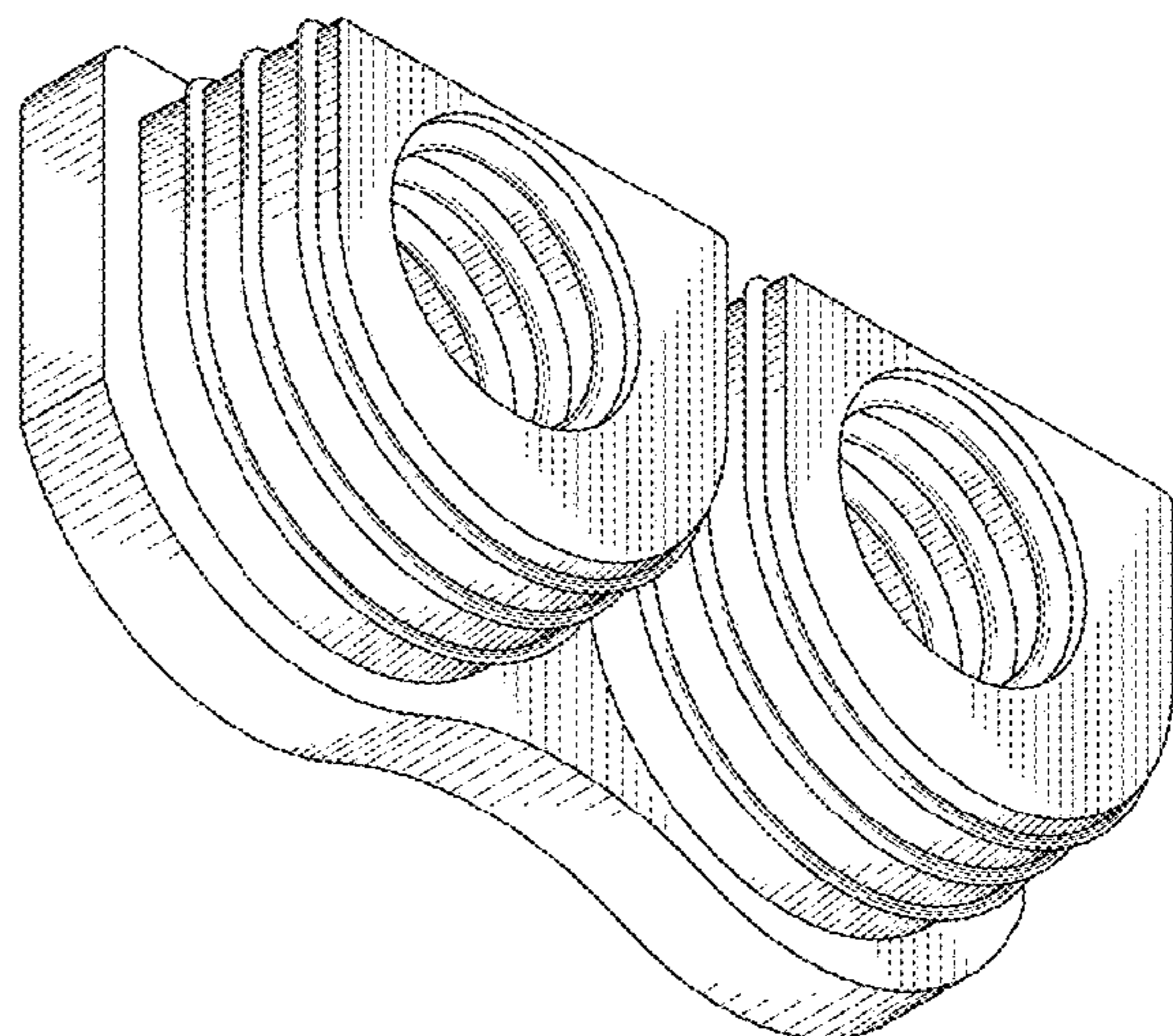
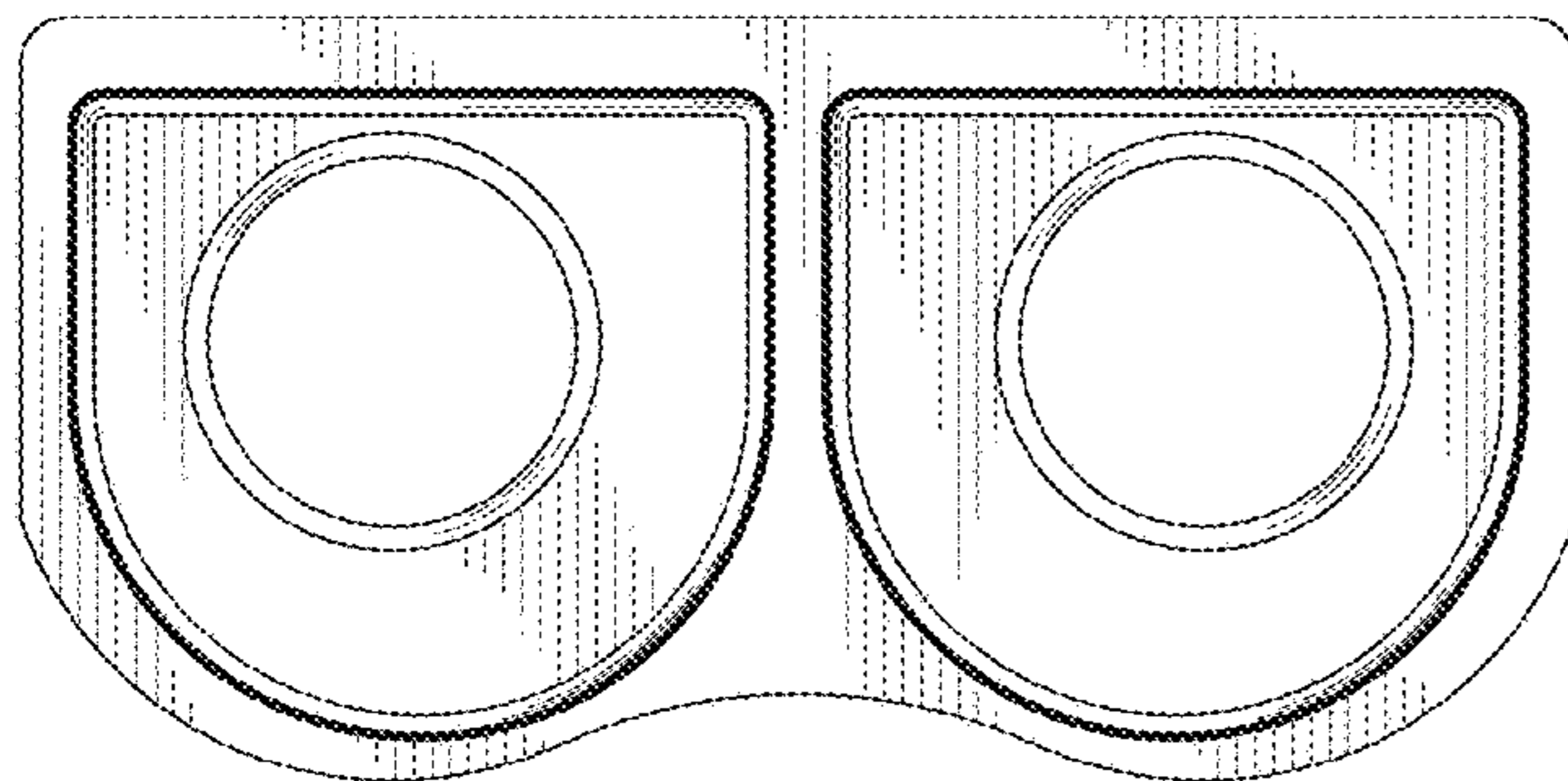
(57) **CLAIM**

The ornamental design for a bushing for a power cable connector, as shown and described.

DESCRIPTION

FIG. 1 is a front view of a bushing for a power cable connector of the present invention.
FIG. 2 is a rear view thereof.
FIG. 3 is a top plan view thereof.
FIG. 4 is a bottom view thereof.
FIG. 5 is a right side view thereof.
FIG. 6 is a left side view thereof.
FIG. 7 is a perspective view thereof.
FIG. 8 is a cross-sectional view thereof, taken along the line 8-8 of FIG. 1.
FIG. 9 is a cross-sectional view thereof, taken along the line 9-9 of FIG. 1; and,
FIG. 10 is a reference view thereof, showing the bushing for a power cable connector in a state of use.
The features shown in broken lines depict environmental subject matter only and form no part of the claimed design.

1 Claim, 10 Drawing Sheets



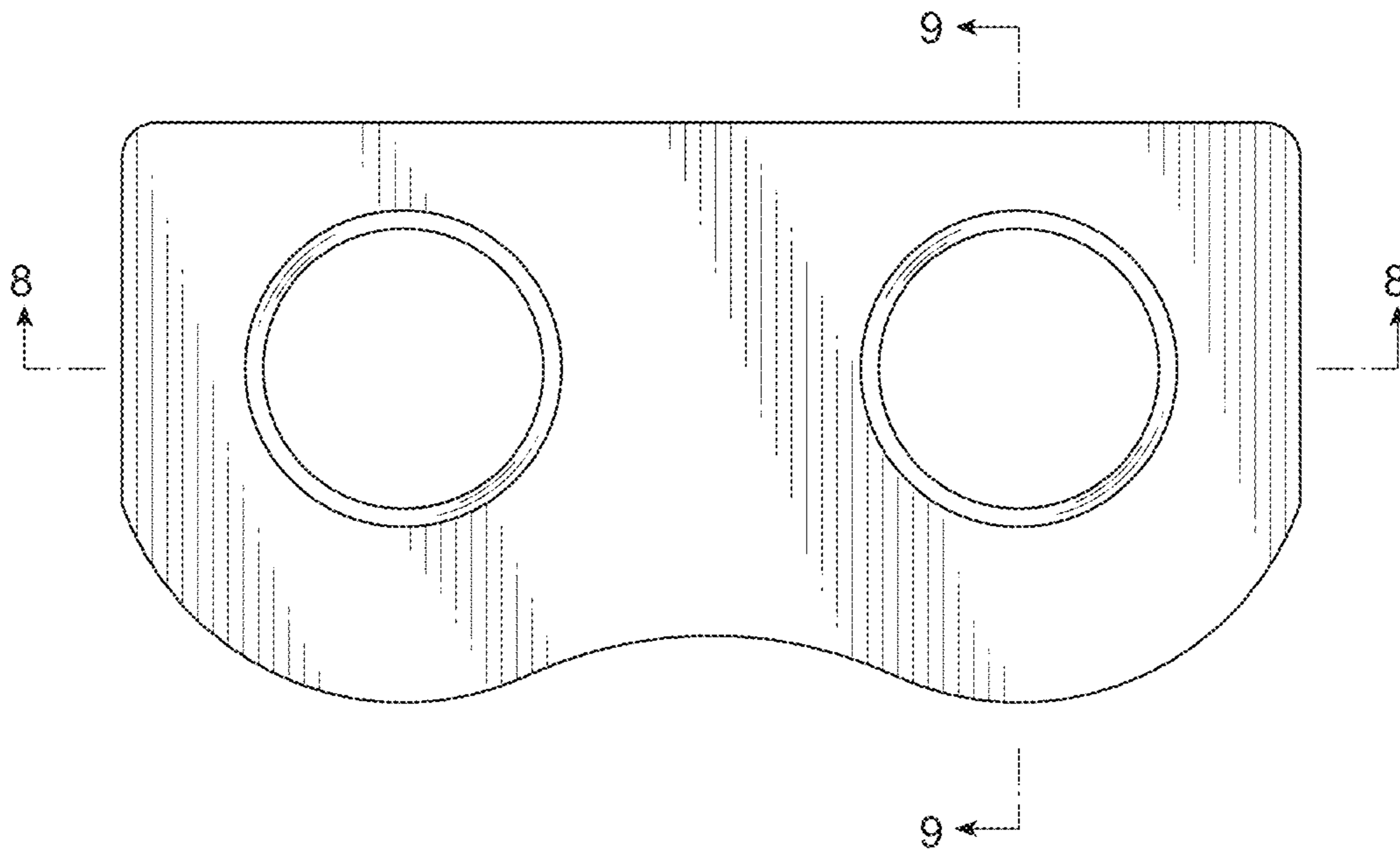


Fig. 1

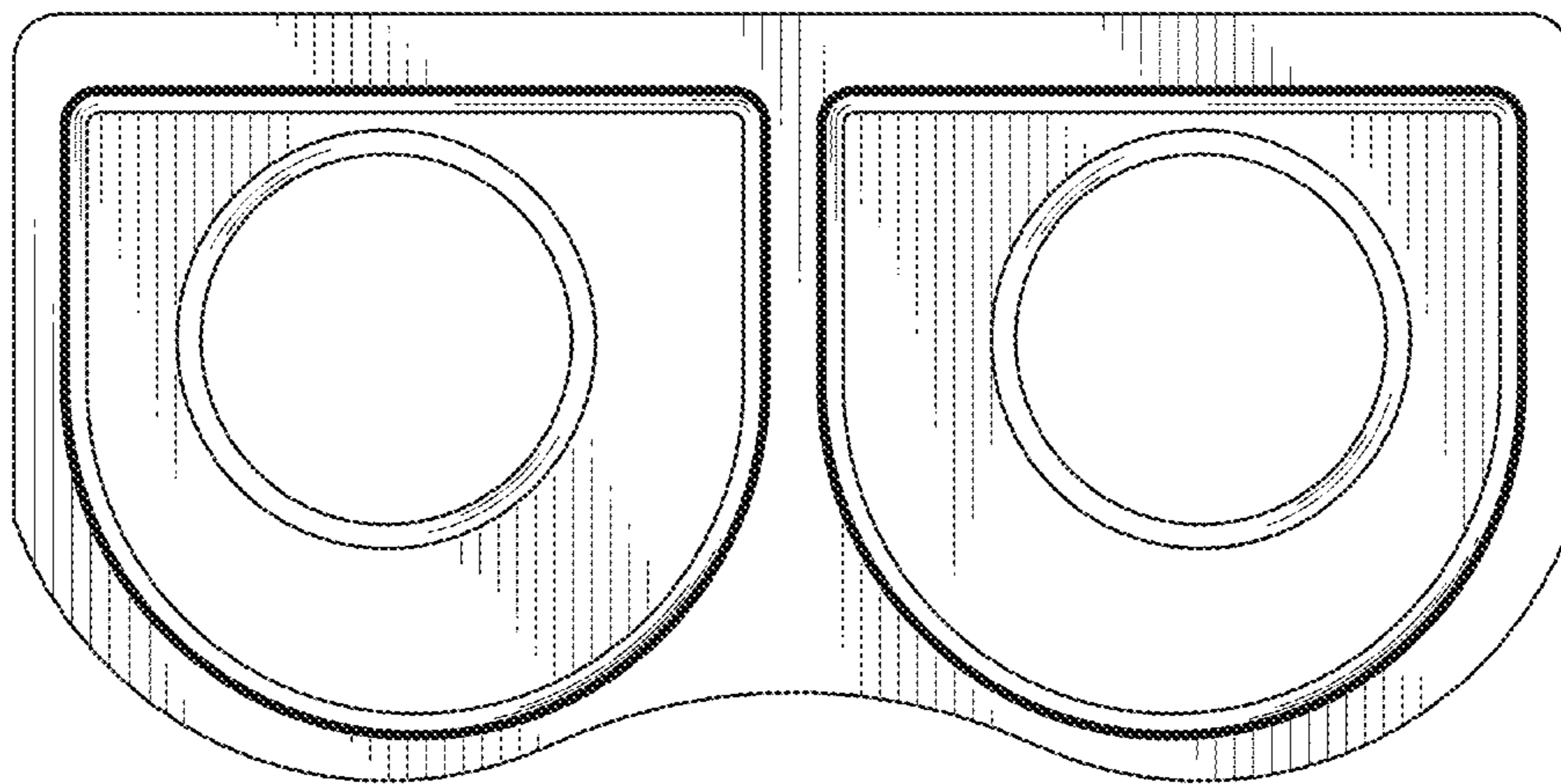


Fig. 2

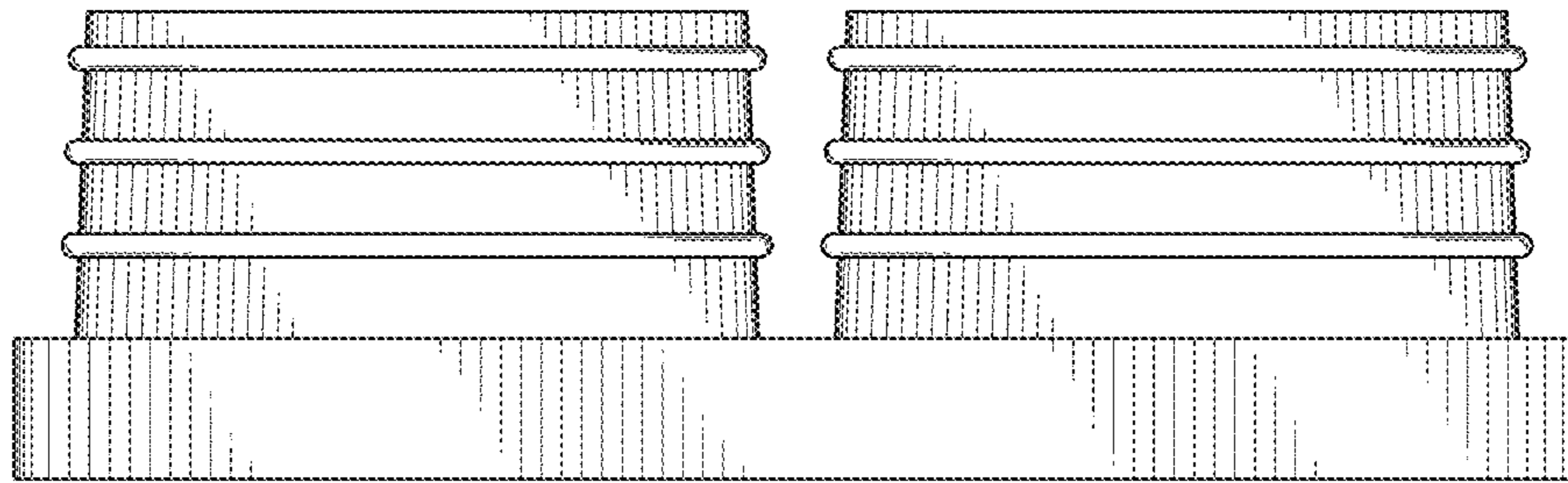


Fig. 3

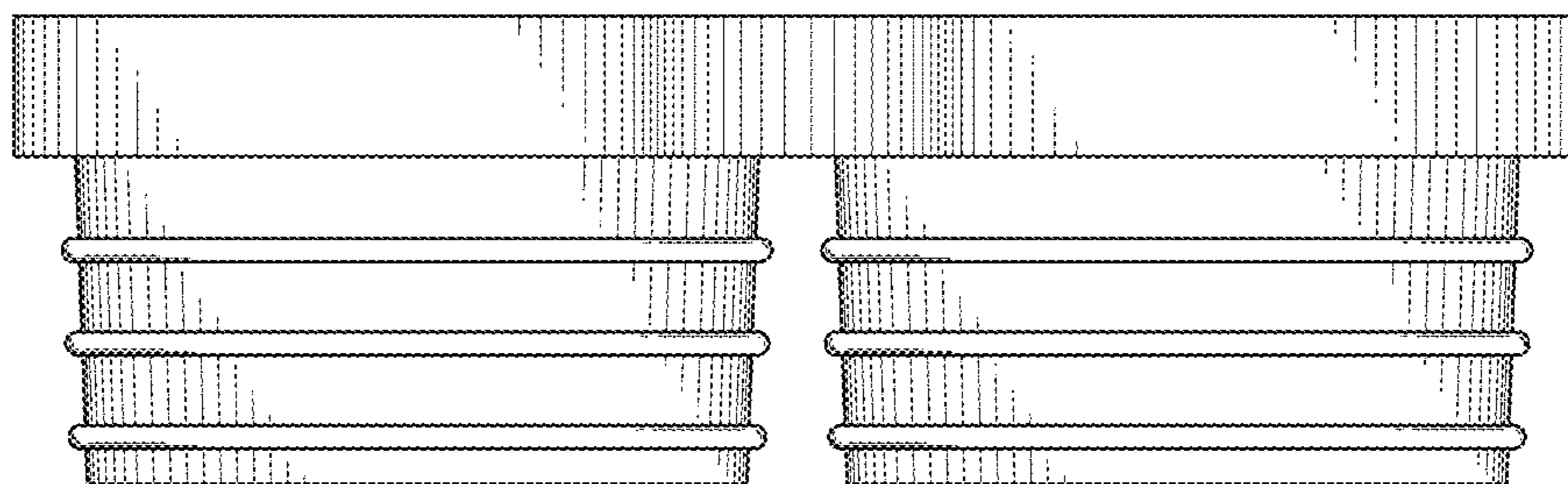


Fig. 4

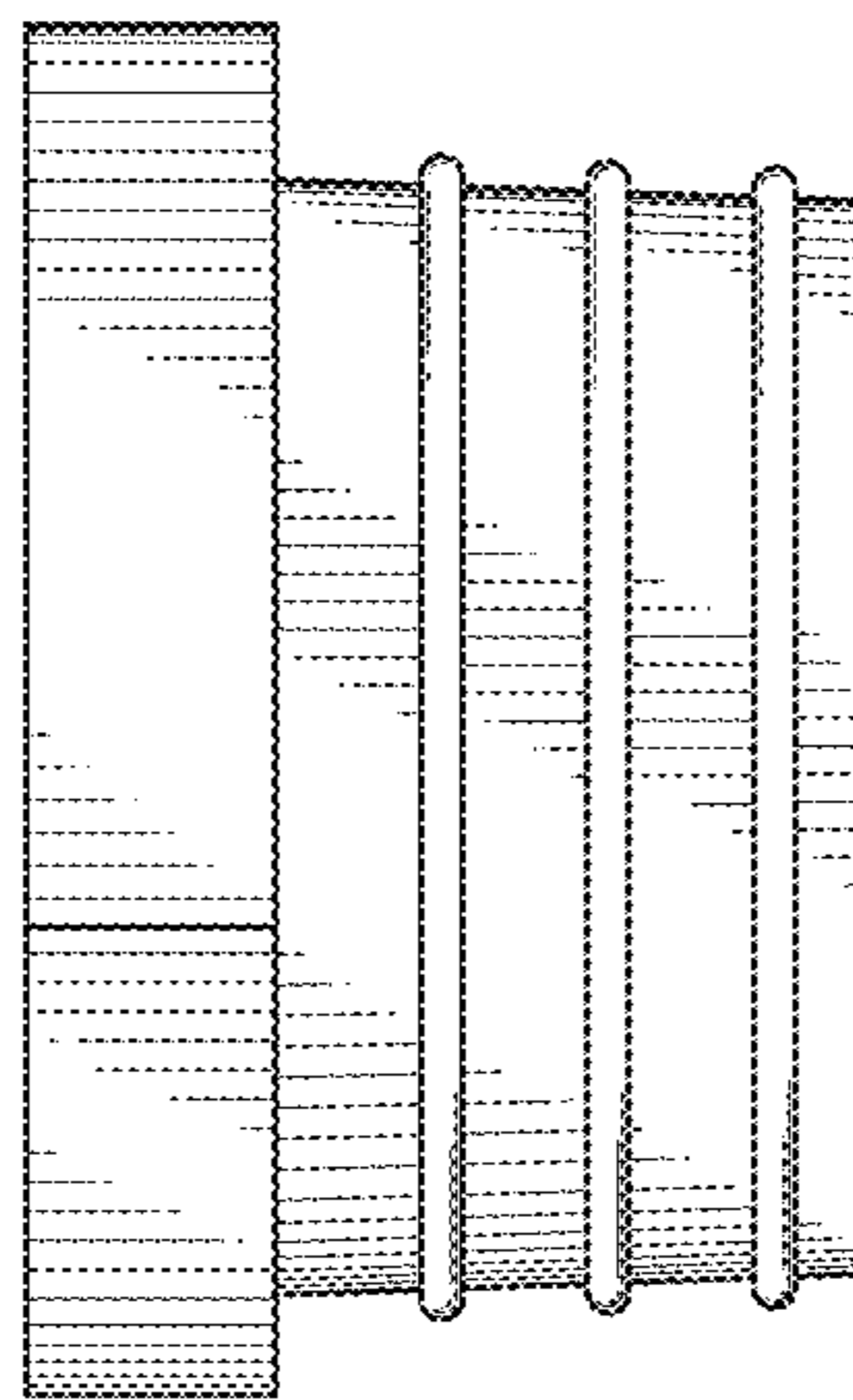


Fig. 5

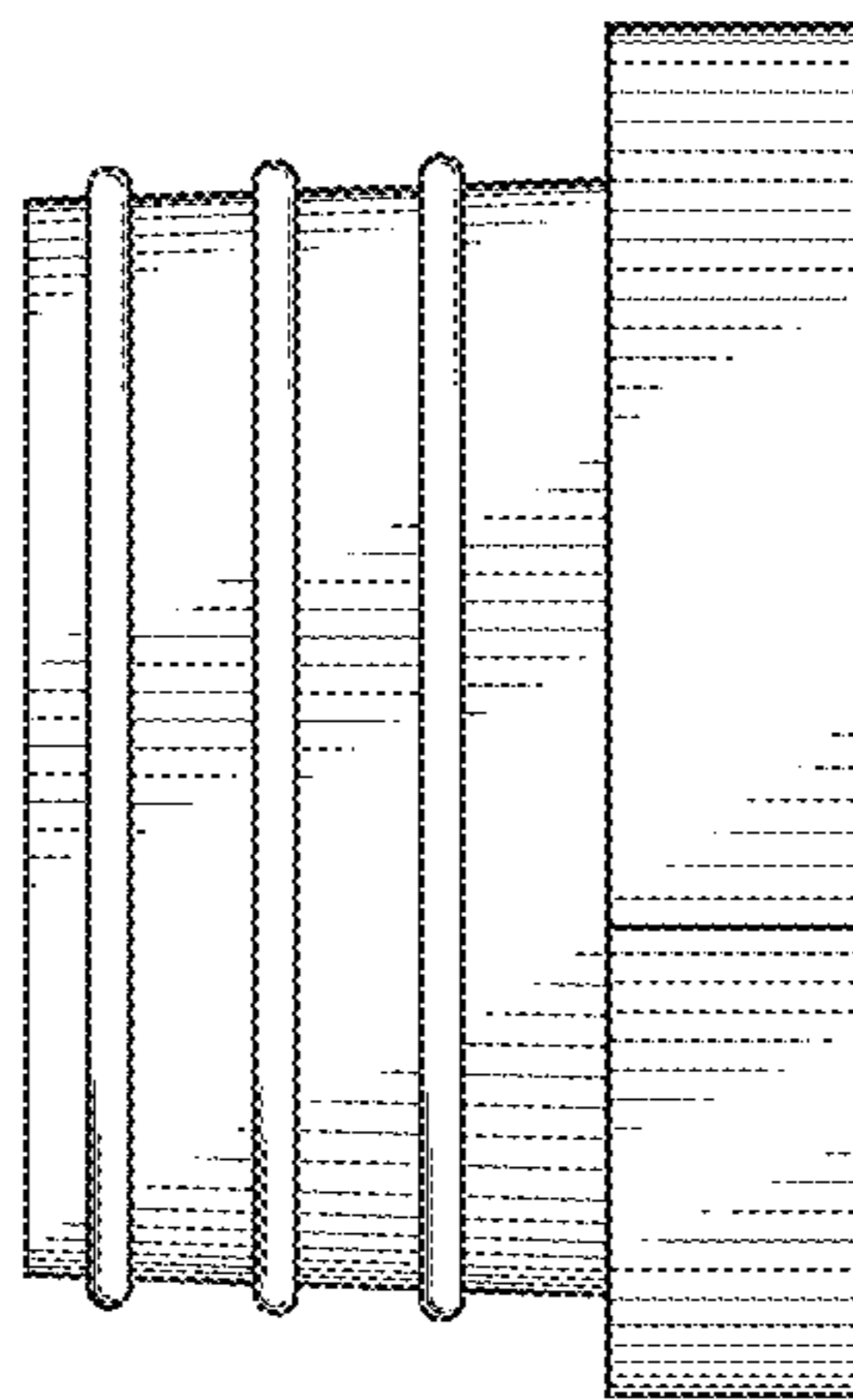


Fig. 6

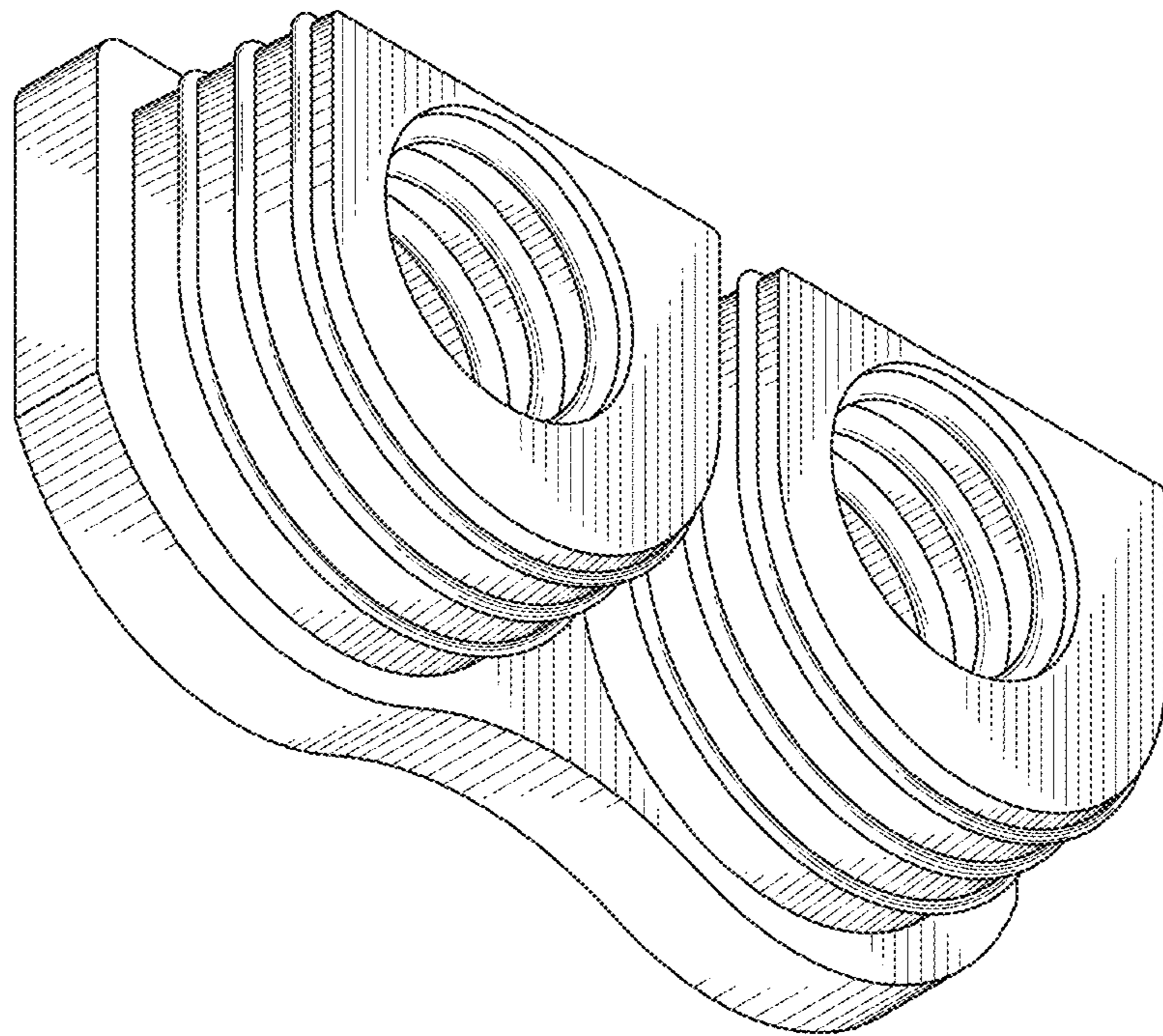


Fig. 7

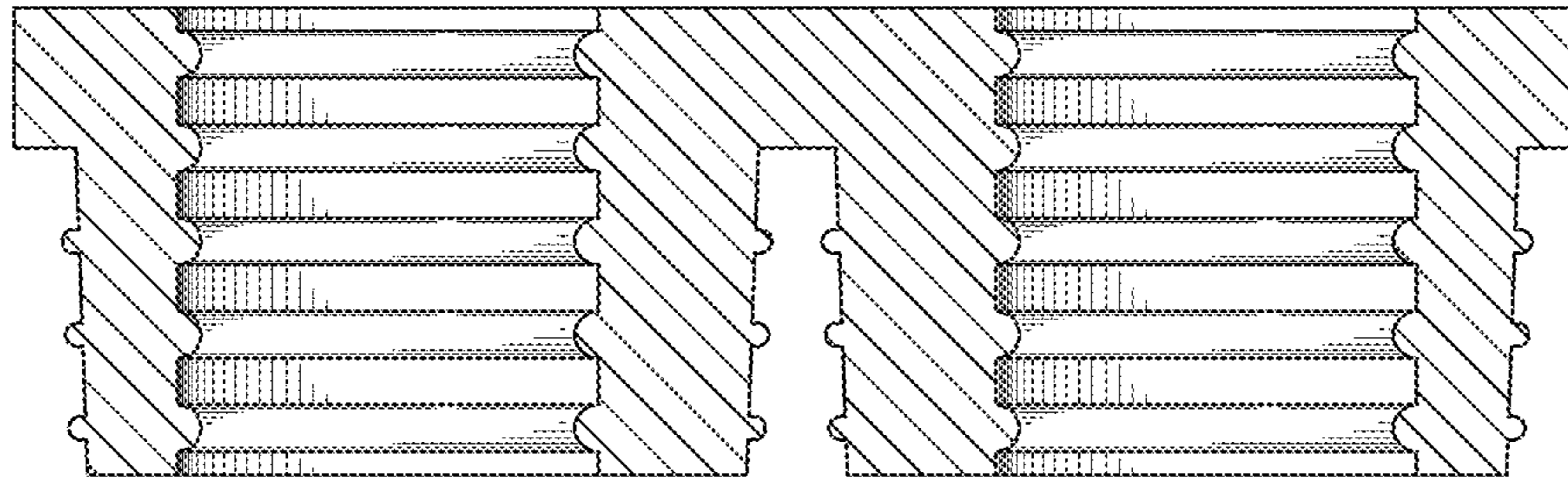


Fig. 8

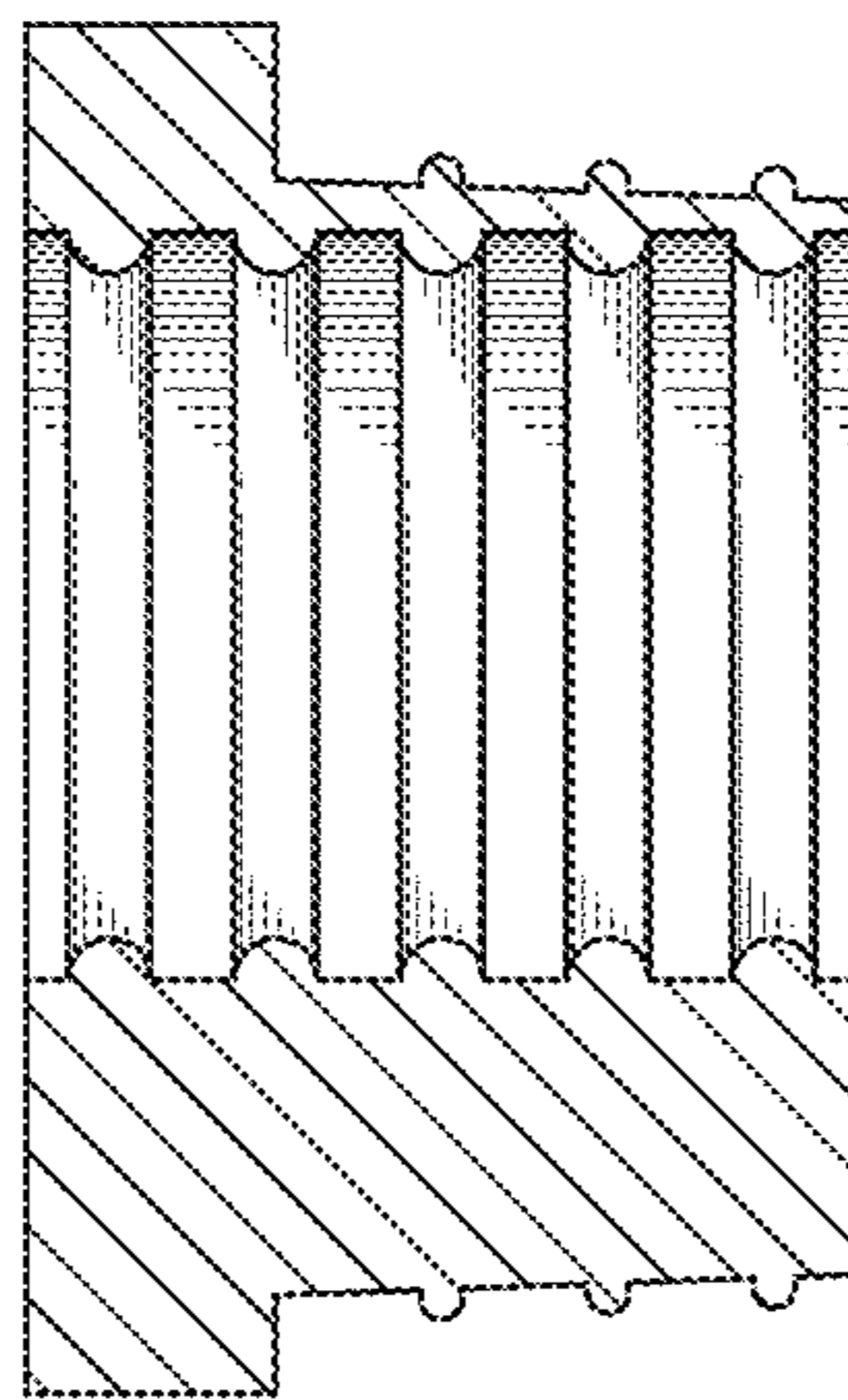


Fig. 9

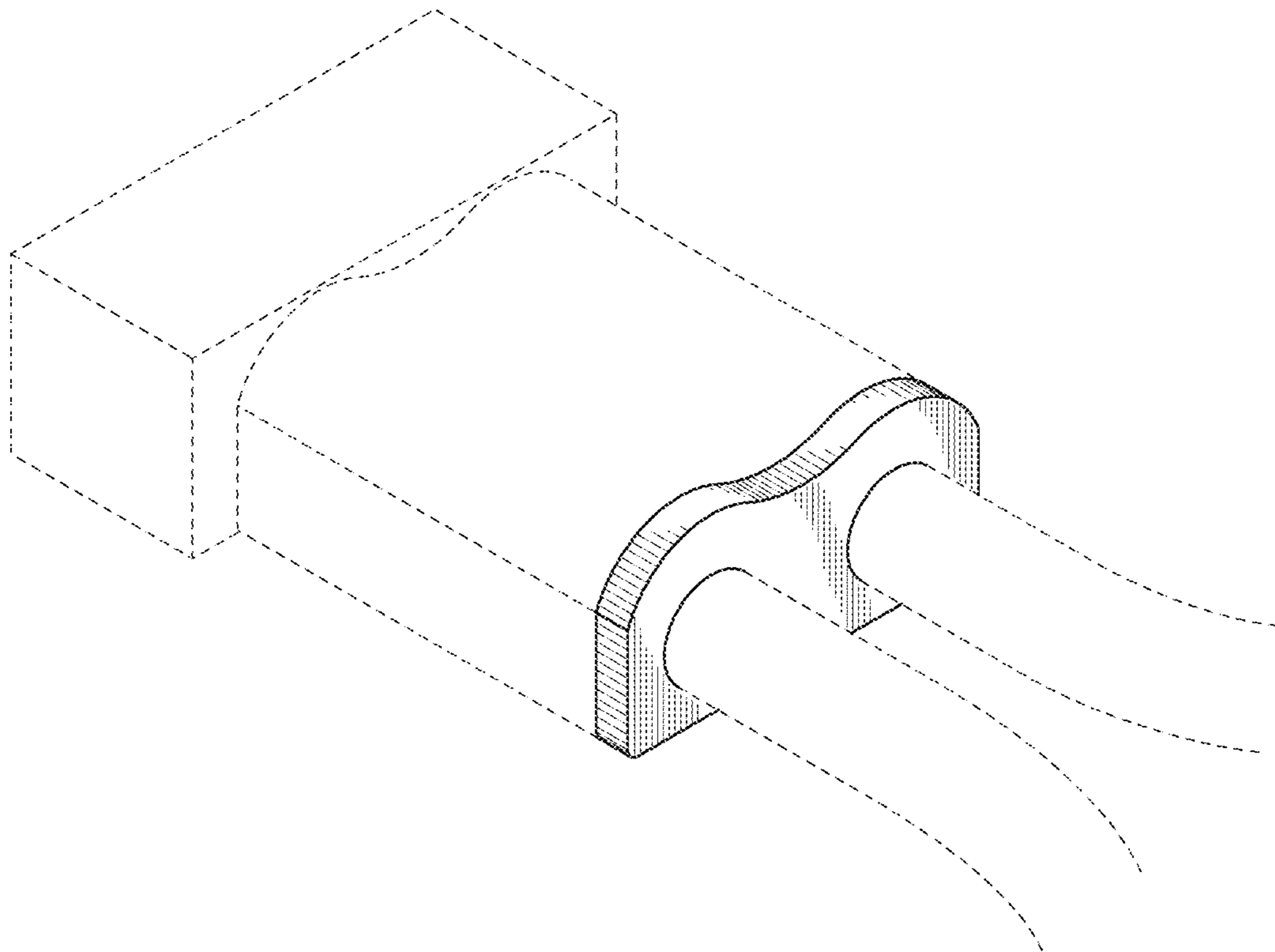


Fig. 10