



US00D874404S

(12) **United States Design Patent** (10) **Patent No.:** **US D874,404 S**
Byrne et al. (45) **Date of Patent:** **** Feb. 4, 2020**

(54) **ELECTRICAL POWER UNIT**
(71) Applicants: **Norman R. Byrne**, Ada, MI (US);
Daniel P. Byrne, Lowell, MI (US);
Joseph D. Ward, Grand Rapids, MI (US)
(72) Inventors: **Norman R. Byrne**, Ada, MI (US);
Daniel P. Byrne, Lowell, MI (US);
Joseph D. Ward, Grand Rapids, MI (US)

D721,330 S 1/2015 Byrne et al.
D722,563 S 2/2015 Byrne et al.
9,148,006 B2* 9/2015 Byrne H02G 3/18
D744,951 S 12/2015 Oosterman et al.
D751,502 S 3/2016 Riner
D793,343 S 8/2017 Byrne et al.
D807,297 S 1/2018 Byrne et al.
D807,829 S 1/2018 Byrne et al.
D840,347 S* 2/2019 Byrne D13/139.4
D848,371 S* 5/2019 Byrne D13/139.4

(Continued)

(**) Term: **15 Years**
(21) Appl. No.: **29/665,299**
(22) Filed: **Oct. 2, 2018**
(51) **LOC (12) Cl.** **13-03**
(52) **U.S. Cl.**
USPC **D13/139.4**
(58) **Field of Classification Search**
USPC D13/107-110, 137.1-137.4, 138.1-138.2,
D13/139.1-139.8, 149-157, 199, 133;
D14/432, 433, 435.1; D8/350, 353-356
CPC H01R 25/00; H01R 25/003; H01R 25/006;
H01R 11/00; H01R 9/00; H01R 13/5845;
H01R 13/72; H01R 13/46; H01R 31/06;
H01R 24/28; H02J 2007/0062; H01B
7/2806; A61F 2/962
See application file for complete search history.

(56) **References Cited**
U.S. PATENT DOCUMENTS

6,379,182 B1 4/2002 Byrne
7,736,178 B2 6/2010 Byrne
D627,728 S 11/2010 Smith et al.
D683,314 S 5/2013 Andre et al.
D701,835 S 4/2014 Byrne et al.
D716,231 S 10/2014 Byrne et al.
D716,734 S 11/2014 Byrne et al.
D716,735 S 11/2014 Byrne et al.
D720,295 S 12/2014 Dodal et al.

OTHER PUBLICATIONS

Co-pending and commonly-owned Design U.S. Appl. No. 29/605,930, filed May 31, 2017.

Primary Examiner — Rosemary K Tarcza
Assistant Examiner — Christy M Nemeth
(74) *Attorney, Agent, or Firm* — Gardner, Linn, Burkhardt & Ondersma LLP

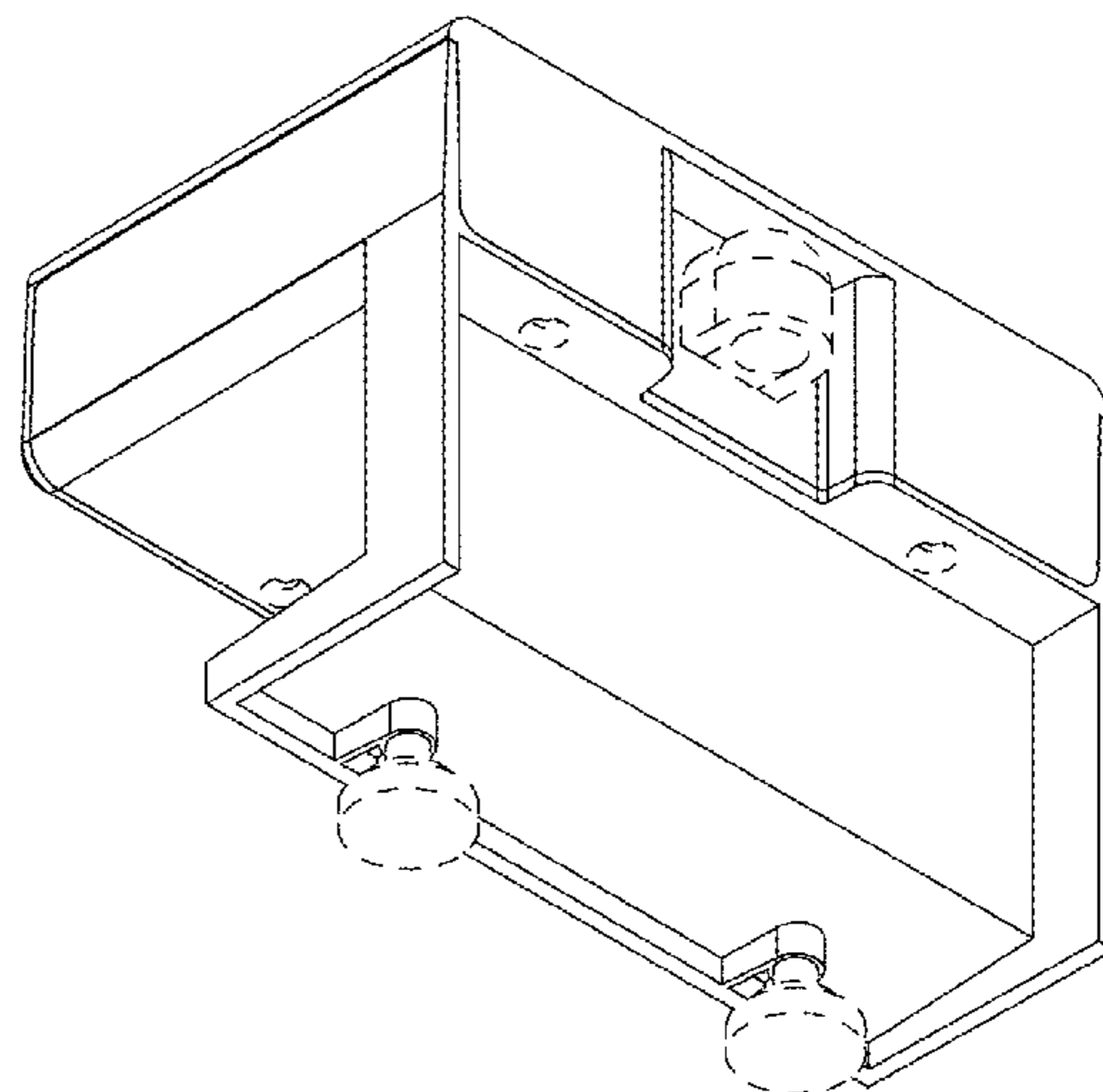
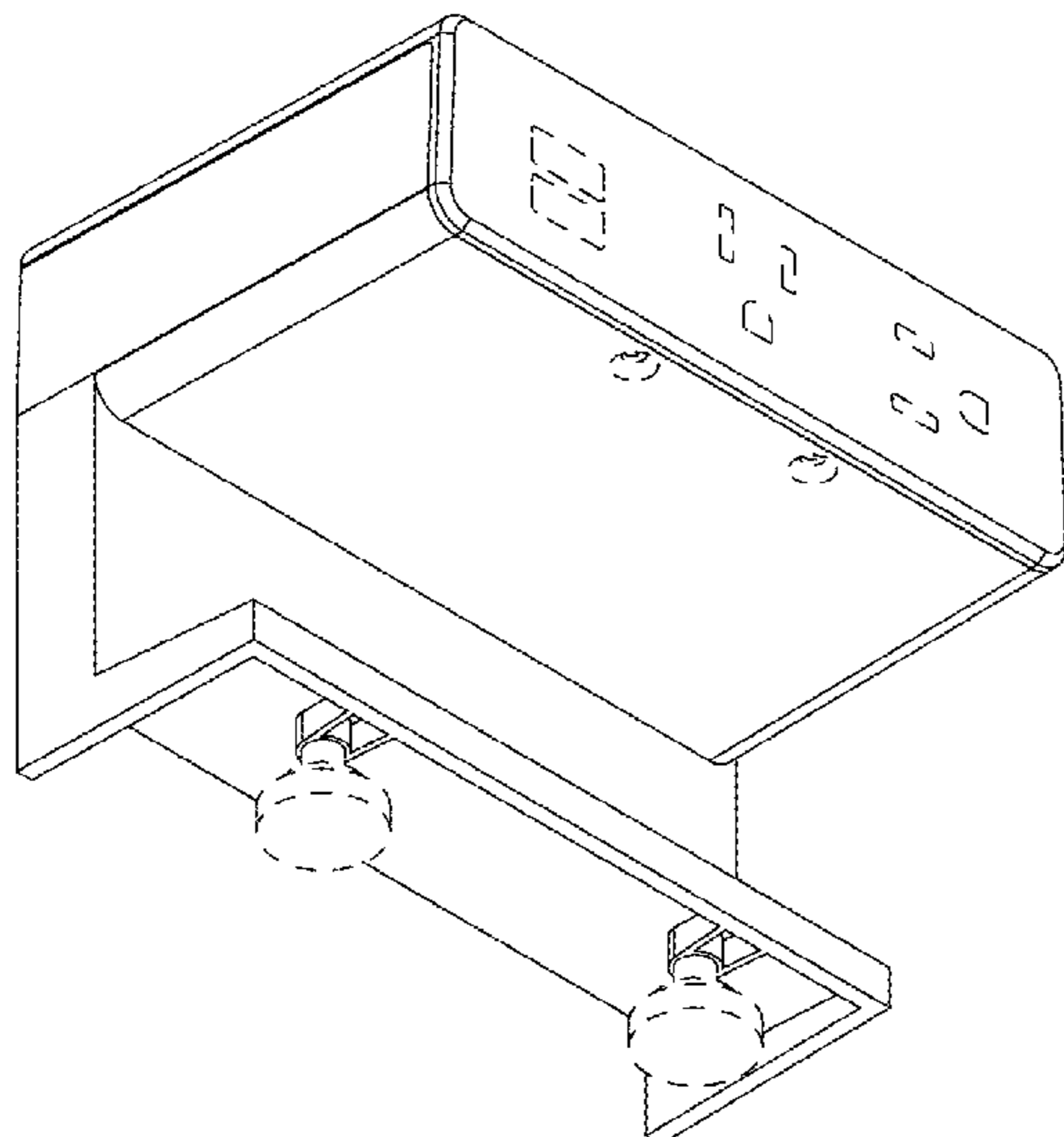
(57) **CLAIM**

The ornamental design for an electrical power unit, as shown and described.

DESCRIPTION

FIG. 1 is a top, front perspective view of an electrical power unit showing our new design;
FIG. 2 is a bottom, front perspective view thereof;
FIG. 3 is a top, rear perspective view thereof;
FIG. 4 is a bottom, rear perspective view thereof;
FIG. 5 is a front elevation thereof;
FIG. 6 is a rear elevation thereof;
FIG. 7 is a top plan view thereof;
FIG. 8 is a bottom plan view thereof;
FIG. 9 is a right side elevation thereof; and,
FIG. 10 is a left side elevation thereof.
The broken lines in the drawings are for the purpose of illustrating portions of the electrical power unit that form no part of the claimed design.

1 Claim, 4 Drawing Sheets



(56)

References Cited

U.S. PATENT DOCUMENTS

D856,284 S * 8/2019 Byrne D13/139.4
2018/0358765 A1 * 12/2018 Byrne H01R 25/006

* cited by examiner

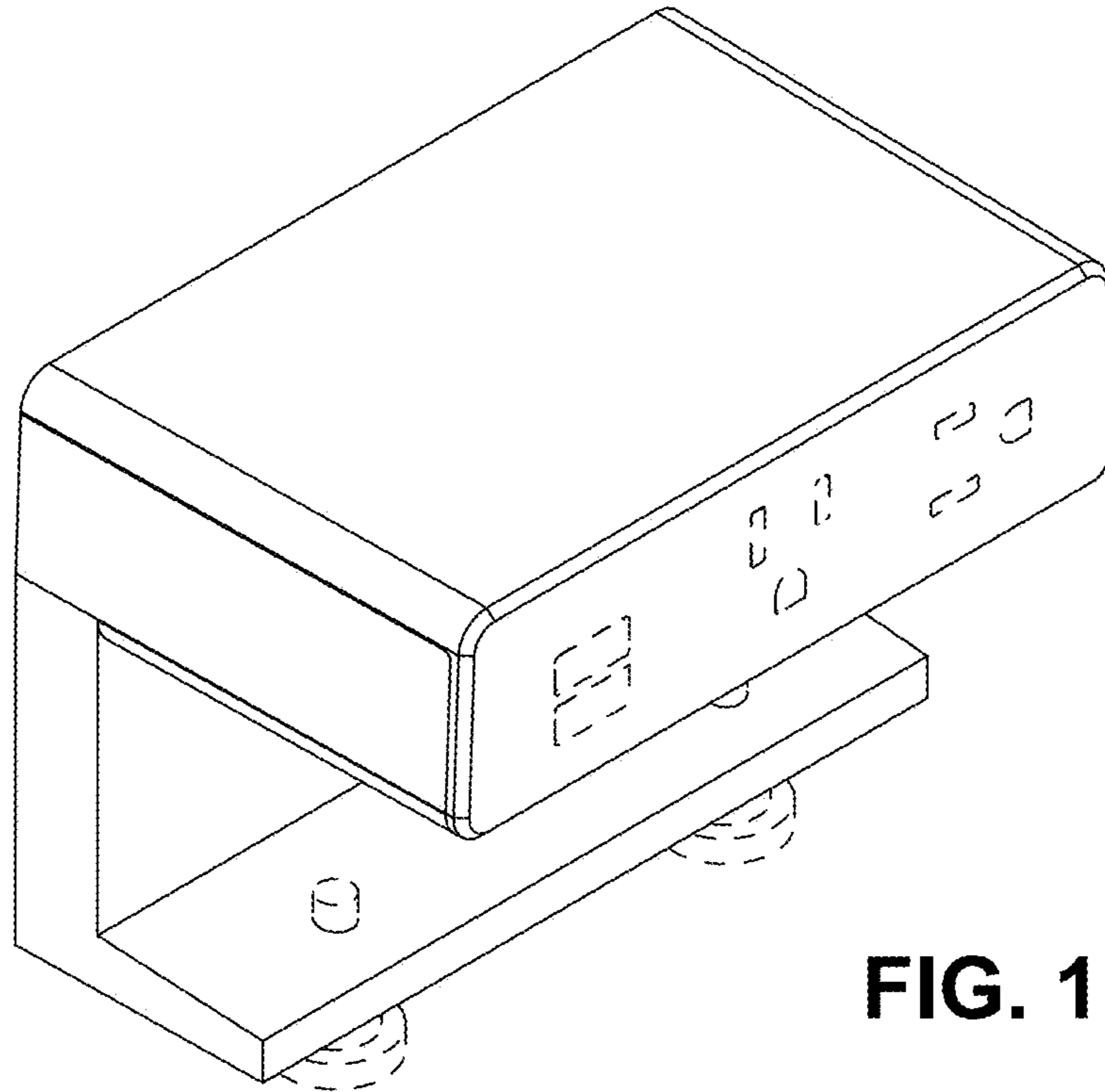


FIG. 1

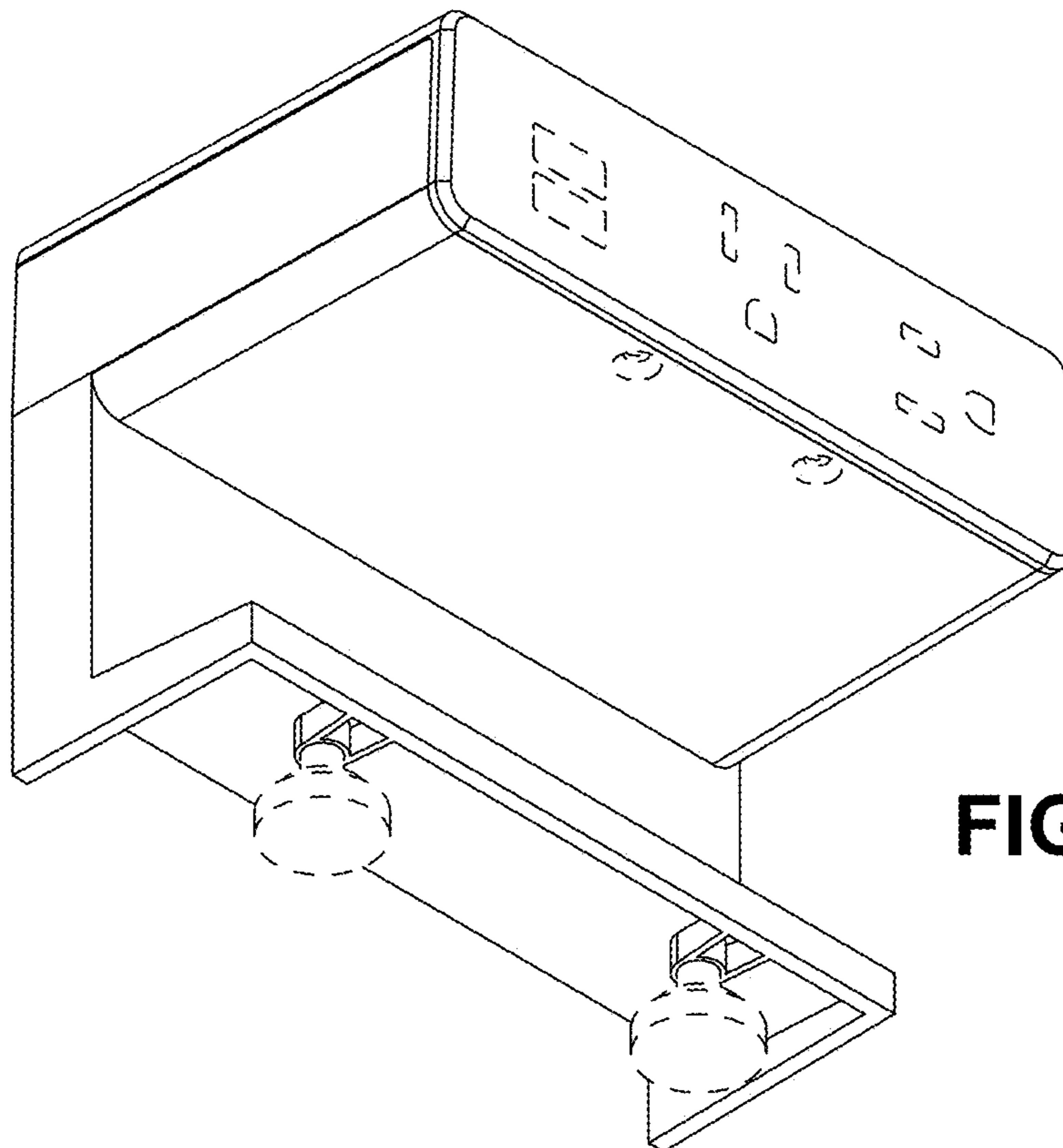


FIG. 2

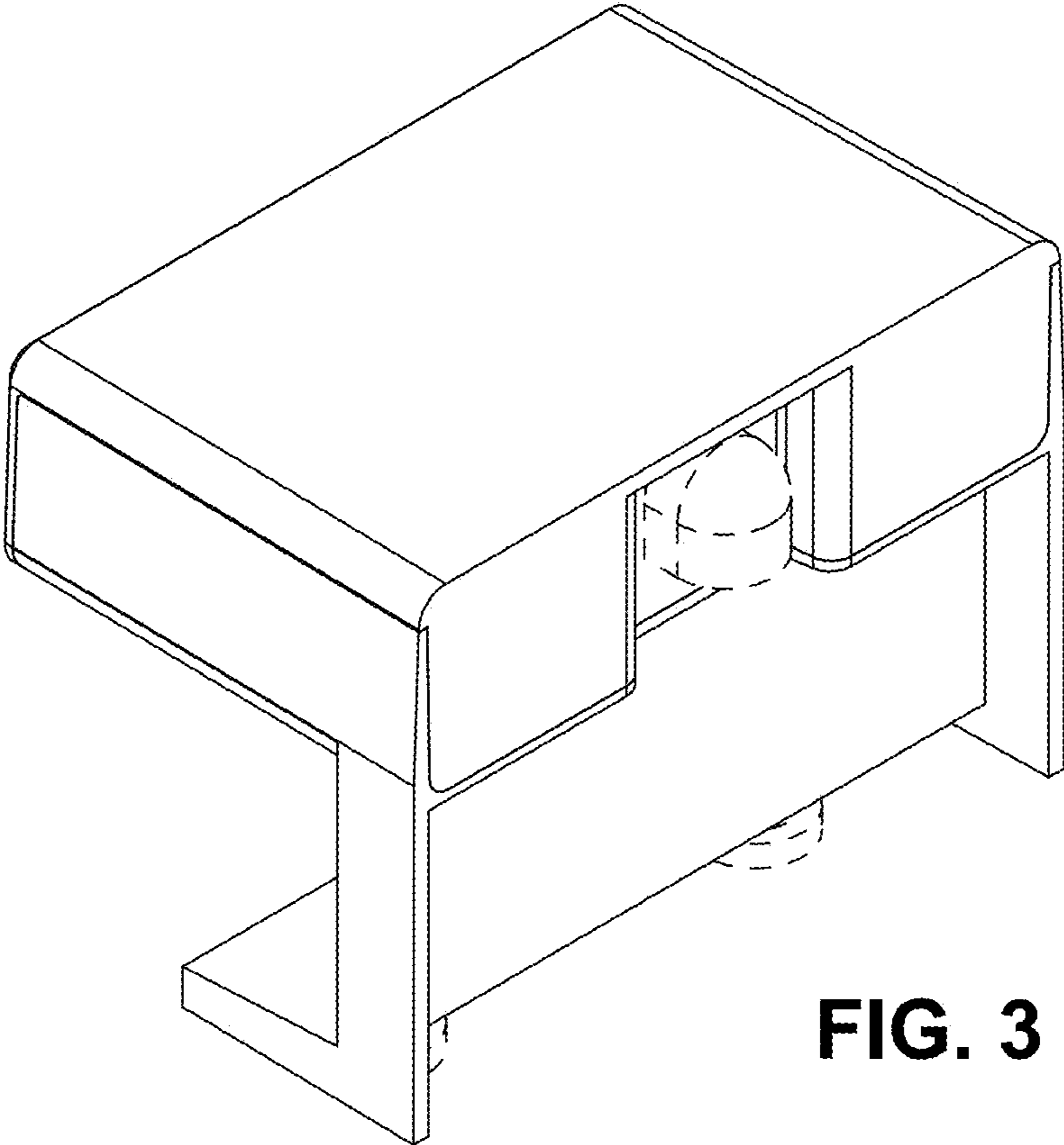


FIG. 3

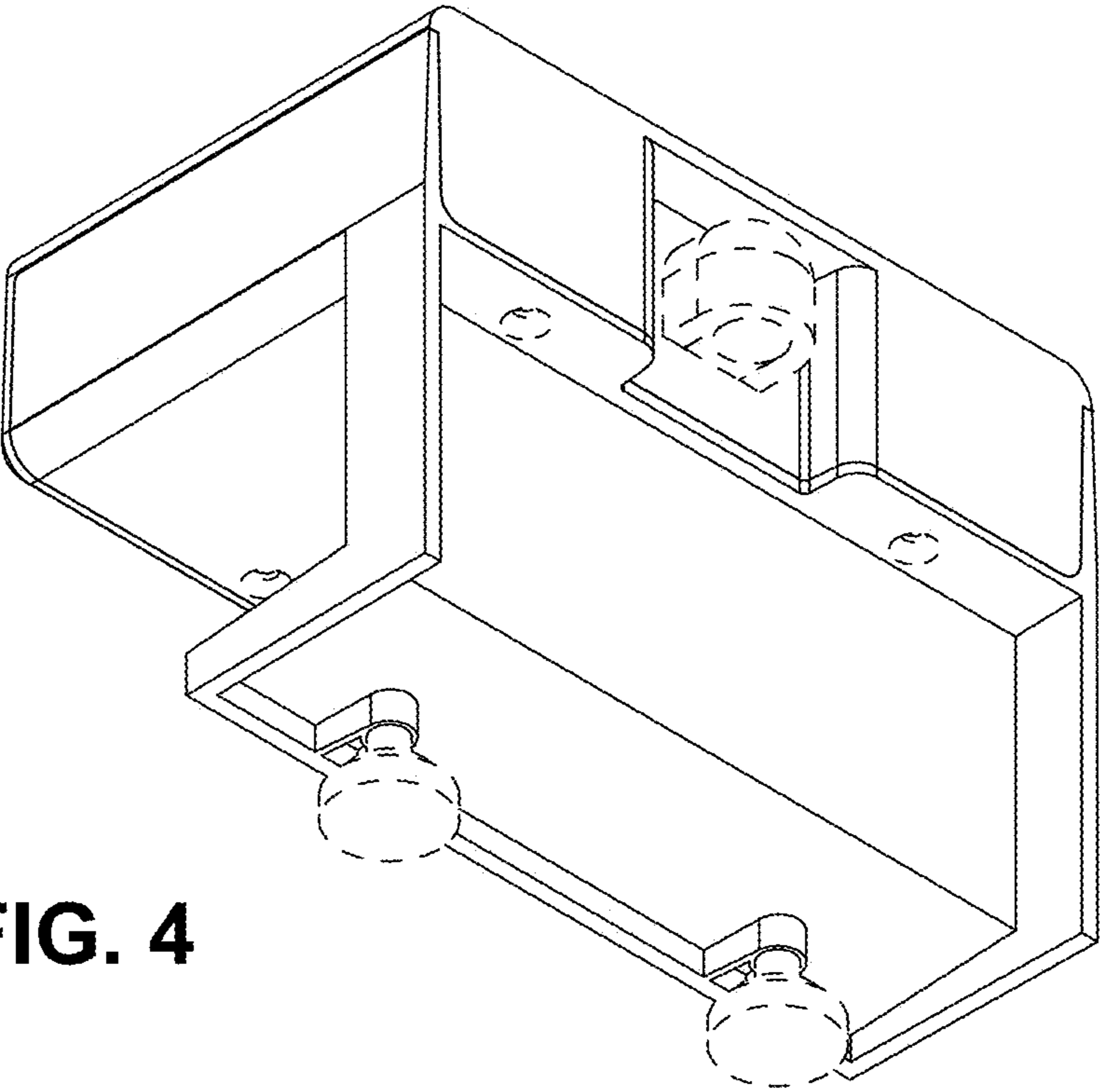


FIG. 4

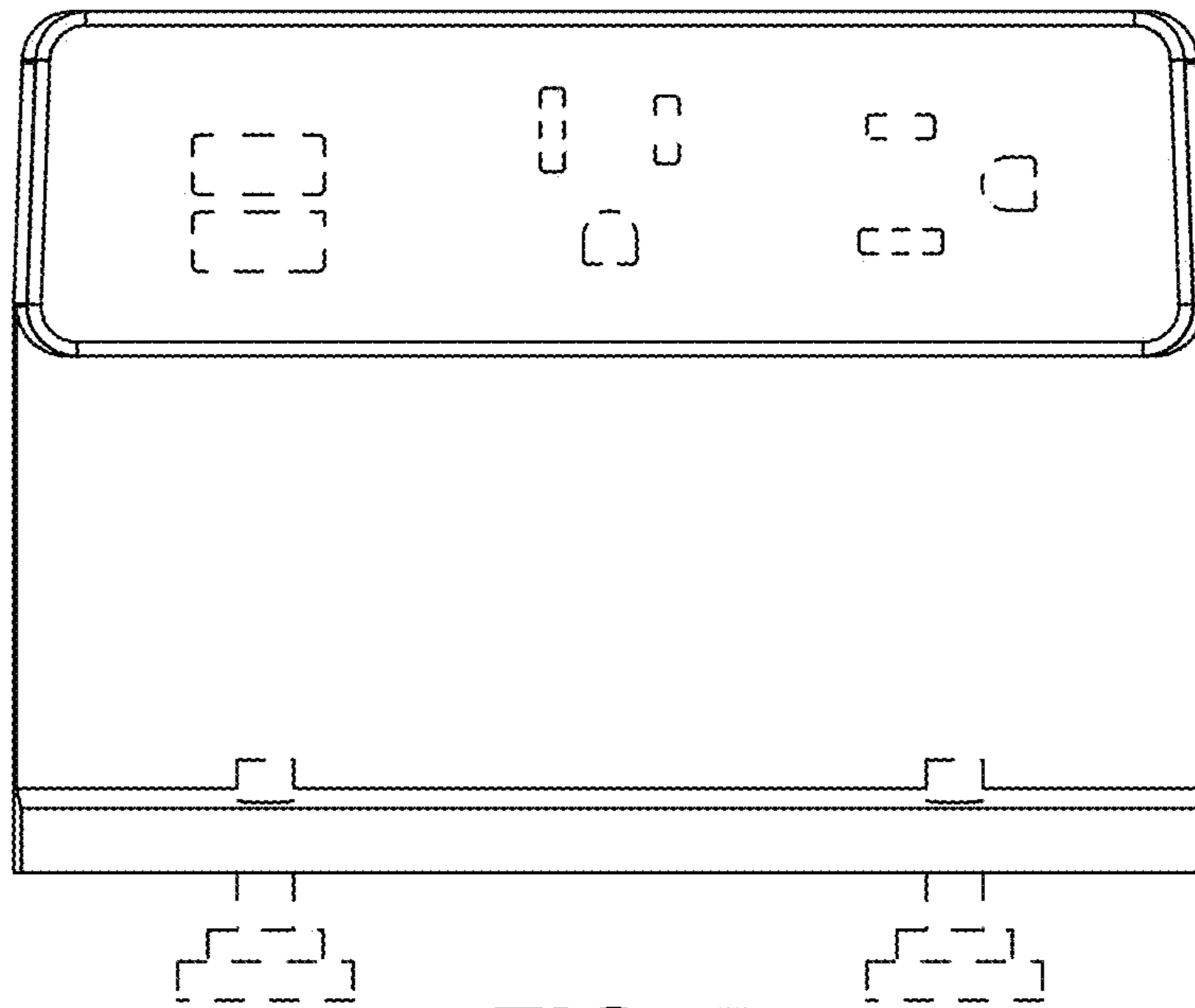


FIG. 5

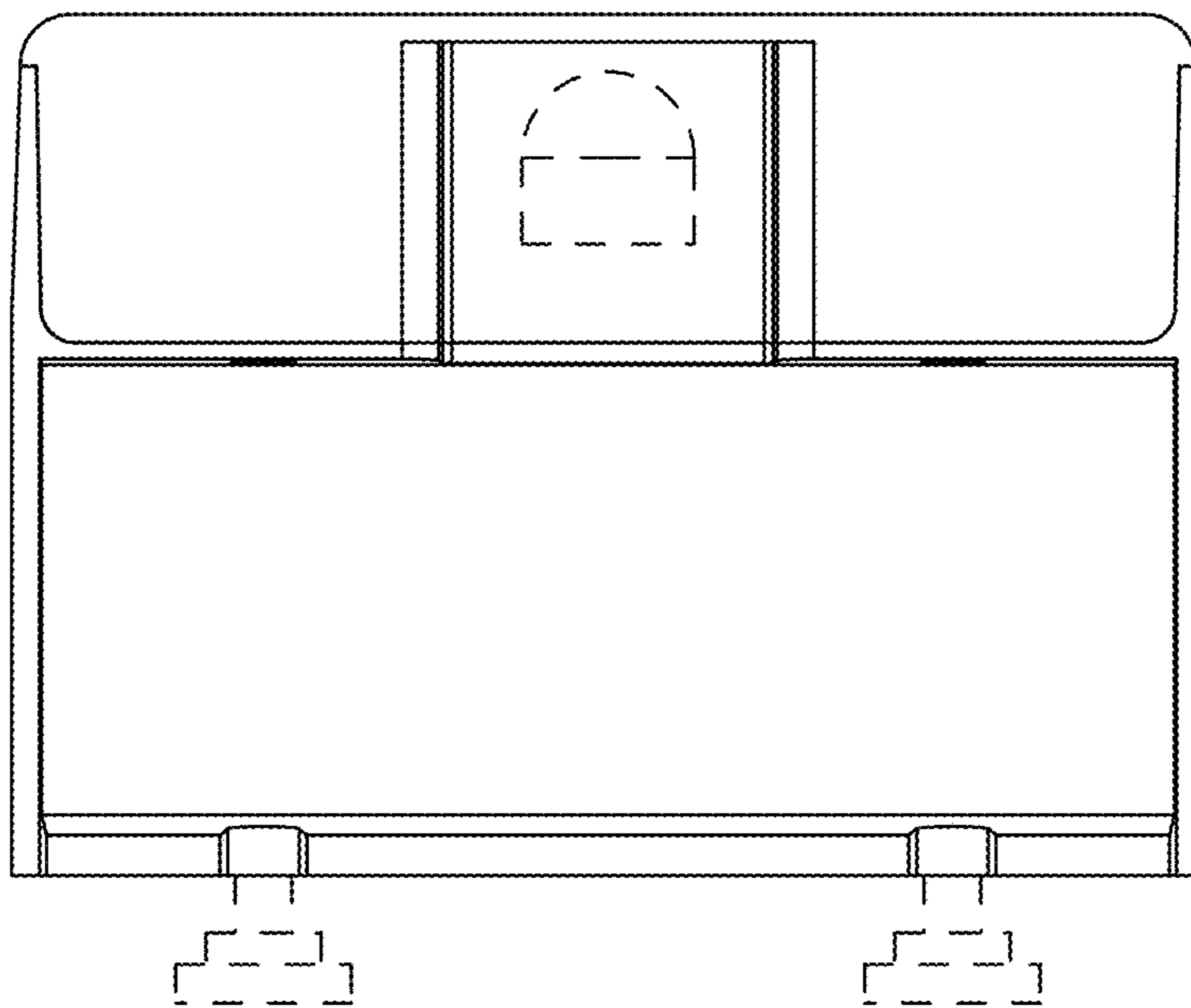


FIG. 6

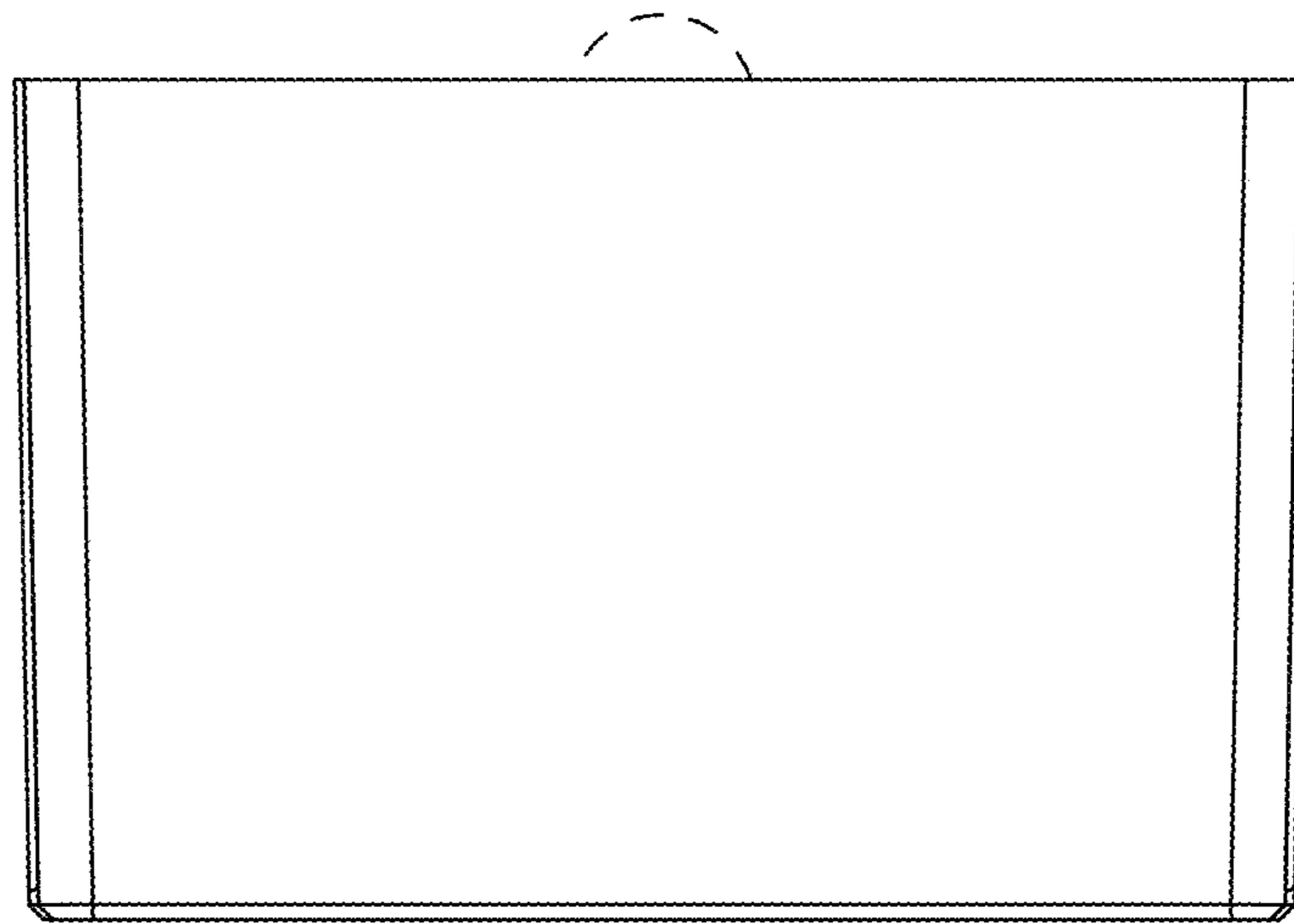


FIG. 7

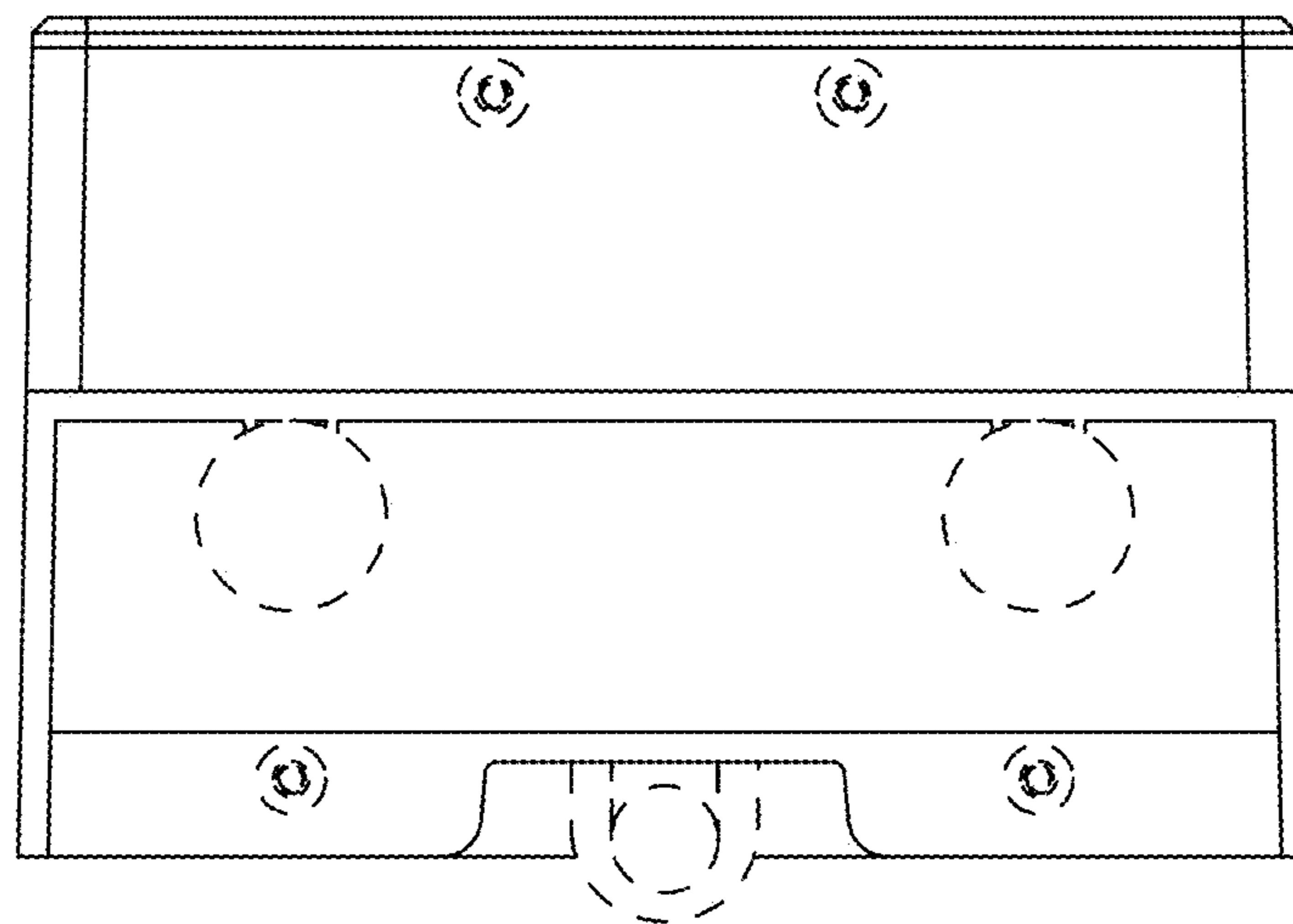


FIG. 8

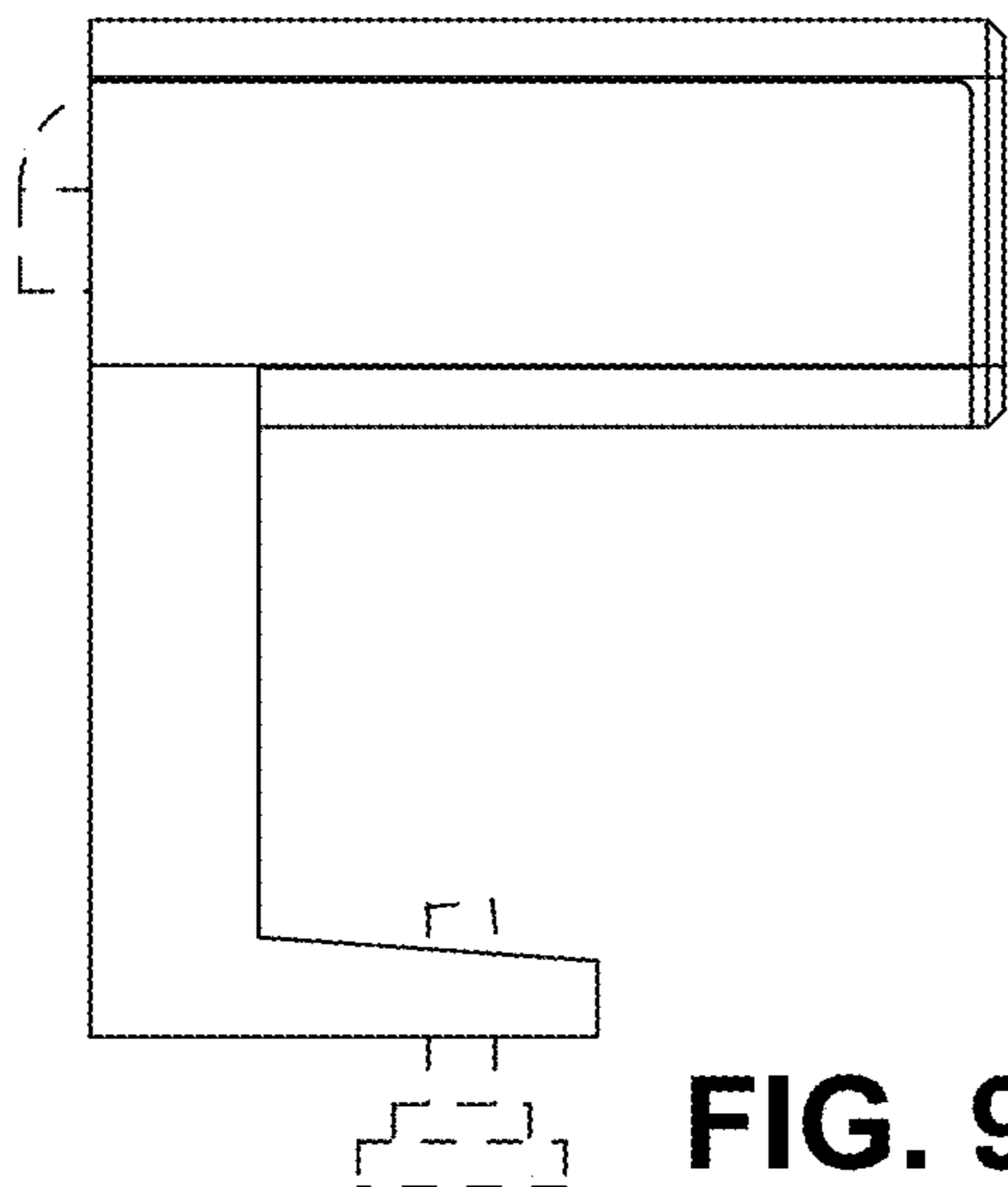


FIG. 9

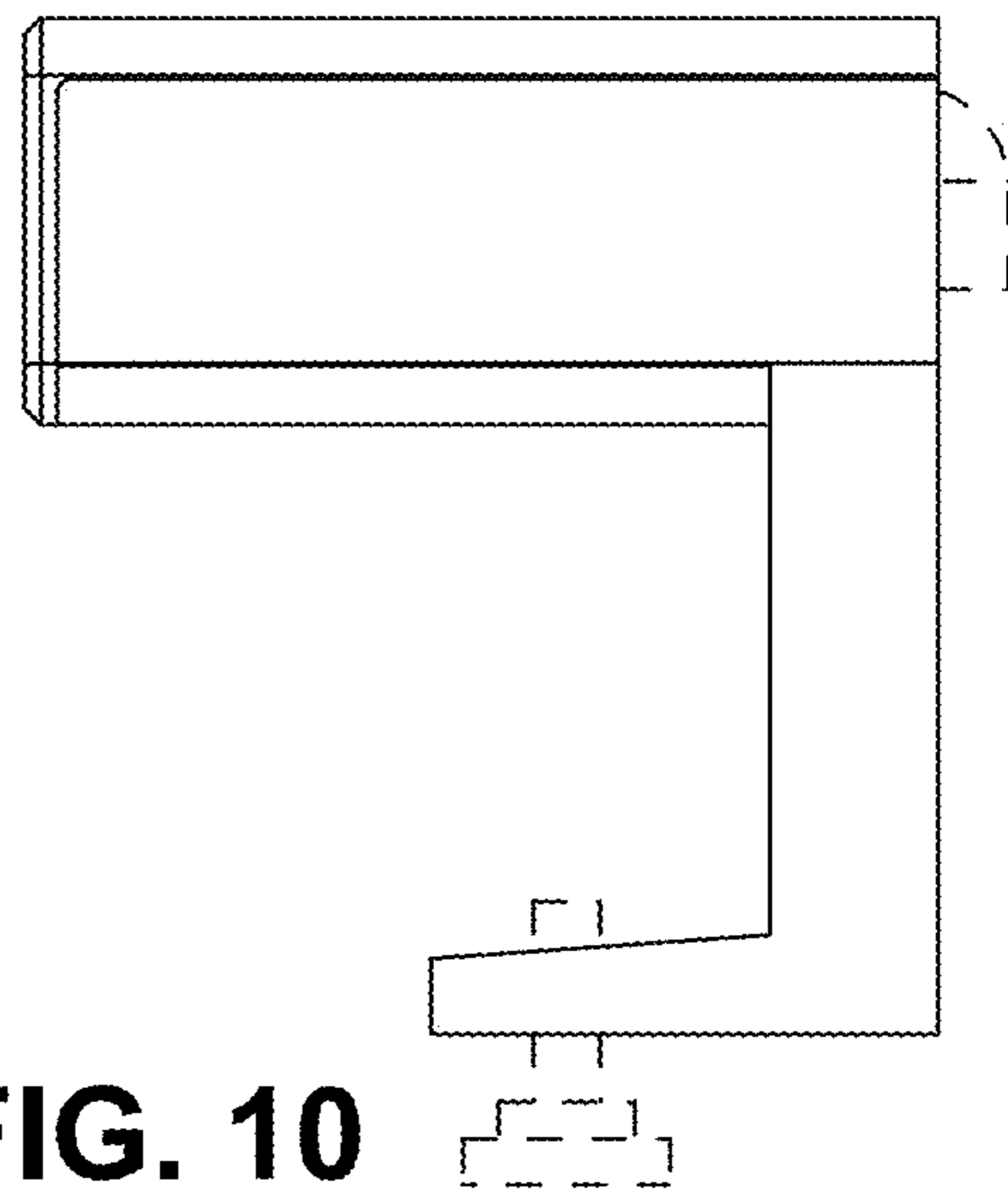


FIG. 10