



US00D874403S

(12) **United States Design Patent**
Canizares et al.

(10) **Patent No.:** **US D874,403 S**

(45) **Date of Patent:** **** Feb. 4, 2020**

(54) **PLUG ADAPTER**

(71) Applicant: **Amazon Technologies, Inc.**, Seattle, WA (US)

(72) Inventors: **Wilfrido Loor Canizares**, San Francisco, CA (US); **Christopher Green**, San Francisco, CA (US); **Marc Rene Walliser**, San Francisco, CA (US)

(73) Assignee: **Amazon Technologies, Inc.**, Seattle, WA (US)

(**) Term: **15 Years**

(21) Appl. No.: **29/600,473**

(22) Filed: **Apr. 12, 2017**

(51) **LOC (12) Cl.** **13-03**

(52) **U.S. Cl.**
USPC **D13/137.2**

(58) **Field of Classification Search**

USPC D13/103, 107, 108, 110, 118, 119, 123, D13/133, 137.1-137.4, 138.1-138.2, D13/139.1-139.8, 152-154, 184, 199
CPC H01R 25/00; H01R 25/006; H01R 13/00; H01R 13/04; H01R 13/10; H01R 13/6666; H01R 13/6675; H01R 9/00; H01R 11/00; H01H 2207/00; H01H 2207/022; H01H 2203/00; H02J 7/00; H02J 7/0003; H02J 7/0011; H02J 7/0013; H02J 7/0054; H02J 7/0055; H02J 7/0057; H01M 2/02; H01M 2/022; H01M 2/0202; H01M 2/0207; H01M 2/0212; H01M 2220/10; H01M 2220/20; Y02E 60/12; Y02E 60/122; Y02E 60/124; Y02E 60/50

See application file for complete search history.

(56) **References Cited**

U.S. PATENT DOCUMENTS

D547,271 S * 7/2007 Ng D13/137.1
D623,595 S * 9/2010 Ruffner D13/110

D657,314 S * 4/2012 Ruffner D13/139.1
D665,354 S * 8/2012 Chen D13/138.1
D680,953 S * 4/2013 Kuo D13/137.2
D687,375 S * 8/2013 Franco D13/108
D750,022 S * 2/2016 Lin D13/137.2
D751,038 S * 3/2016 Lin D13/137.2
D755,127 S * 5/2016 Wong D13/137.2
D756,303 S * 5/2016 Kellenberger D13/137.1
D758,312 S * 6/2016 Lin D13/137.2
D763,795 S * 8/2016 Xu D13/137.1
D763,796 S * 8/2016 Xu D13/137.1
D775,588 S * 1/2017 Xu D13/137.2
D788,709 S * 6/2017 Yeo D13/137.2
D791,076 S * 7/2017 Kim D13/108
D799,422 S * 10/2017 Chen D13/108
D804,412 S * 12/2017 Huang D13/108
D807,295 S * 1/2018 Xu D13/137.2
D808,903 S * 1/2018 Koenig D13/110
D816,614 S * 5/2018 An D13/137.1

(Continued)

Primary Examiner — Rosemary K Tarcza

Assistant Examiner — Christy M Nemeth

(74) *Attorney, Agent, or Firm* — Lee & Hayes, P.C.

(57) **CLAIM**

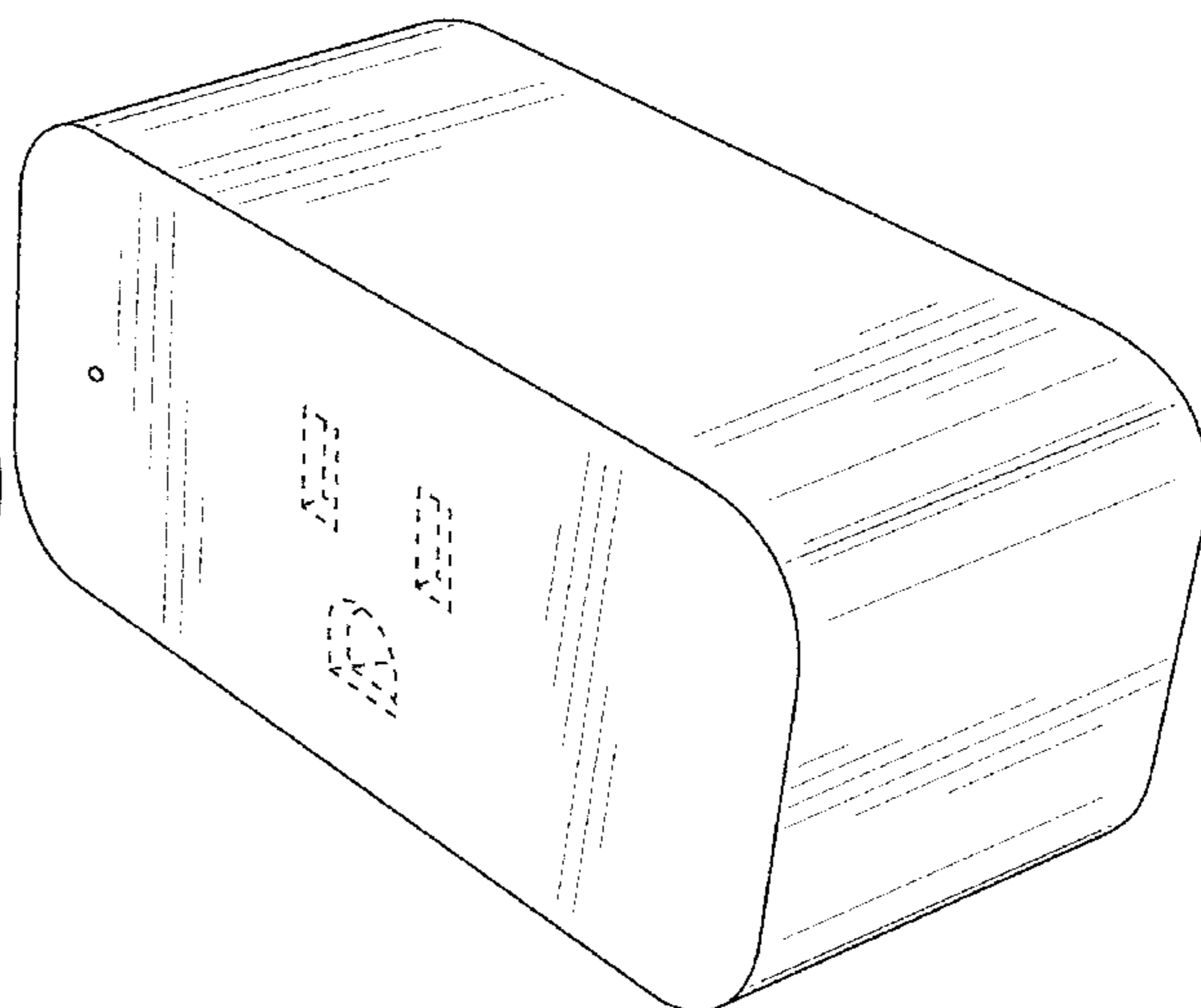
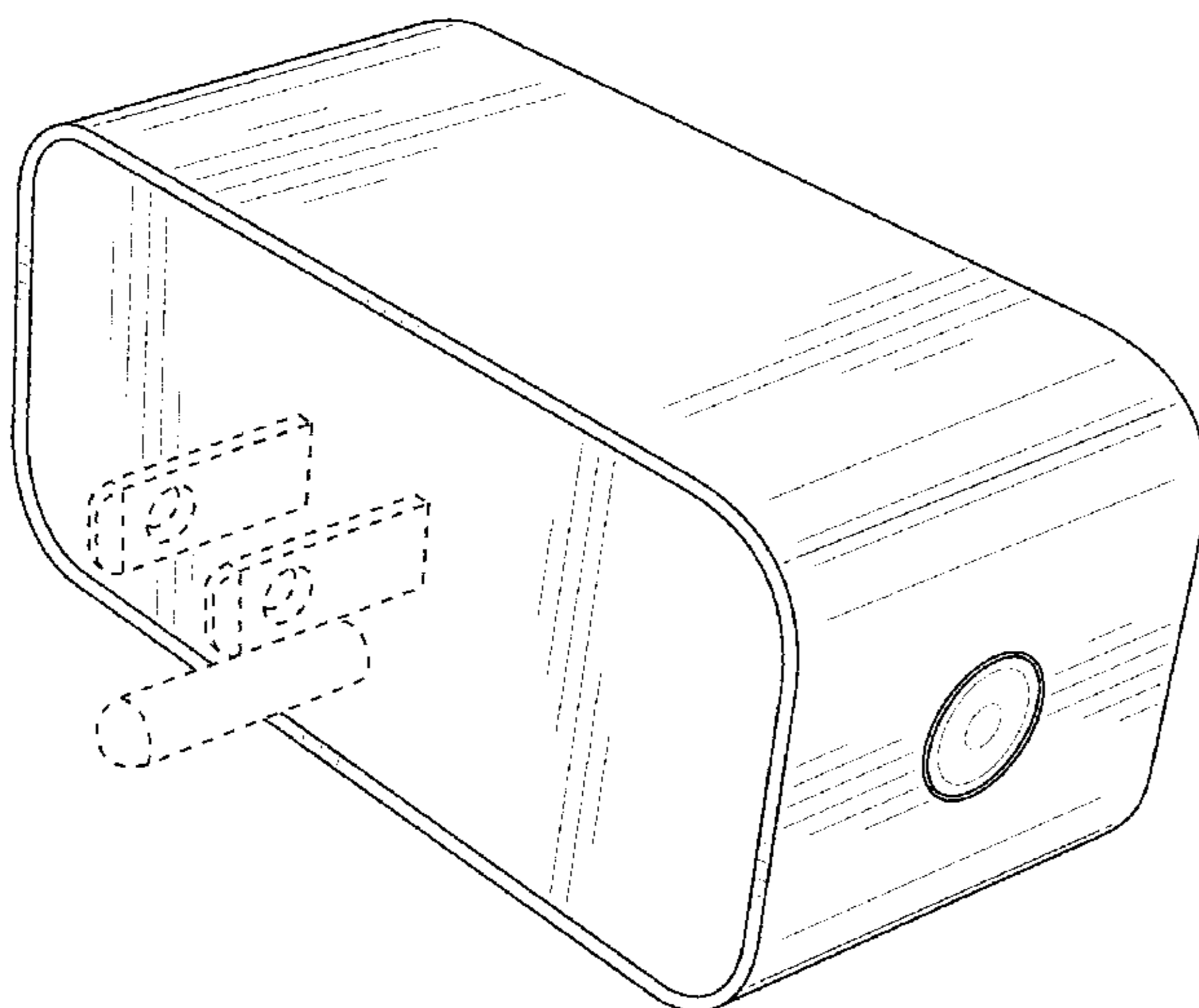
The ornamental design for a plug adapter, as shown and described.

DESCRIPTION

FIG. 1 is a top, back perspective view of a plug adapter; FIG. 2 is a top, front perspective view thereof; FIG. 3 is a front view thereof; FIG. 4 is a back view thereof; FIG. 5 is a left-side view thereof; FIG. 6 is a right-side view thereof; FIG. 7 is a top view thereof; and, FIG. 8 is a bottom view thereof.

The dash broken lines depict portions of the plug adapter that form no part of the claimed design.

1 Claim, 8 Drawing Sheets



(56)

References Cited

U.S. PATENT DOCUMENTS

D819,570	S	*	6/2018	Zhong	D13/137.1
D820,212	S	*	6/2018	Stern	D13/137.2
D825,458	S	*	8/2018	Nauroy	D13/108
D826,159	S	*	8/2018	Tao	D13/137.2
D826,162	S	*	8/2018	Byrne	D13/139.7
D826,858	S	*	8/2018	Little	D13/137.2
D826,859	S	*	8/2018	Little	D13/137.2
D829,663	S	*	10/2018	Liu	D13/137.2
D830,307	S	*	10/2018	Liu	D13/137.2
D832,215	S	*	10/2018	Xu	D13/137.2
D835,042	S	*	12/2018	Qiu	D13/137.2
D835,043	S	*	12/2018	Liao	D13/137.3
D836,542	S	*	12/2018	Xu	D13/107
D836,555	S	*	12/2018	Xu	D13/137.2
D838,245	S	*	1/2019	Lin	D13/137.2
D842,804	S	*	3/2019	Tong	D13/108
D843,943	S	*	3/2019	Yang	D13/137.2
D845,900	S	*	4/2019	Liu	D13/137.2
D848,947	S	*	5/2019	Liu	D13/137.2
D848,948	S	*	5/2019	Wei	D13/137.2
D849,687	S	*	5/2019	Dai	D13/137.2
D851,035	S	*	6/2019	Hong	D13/108
D851,597	S	*	6/2019	Ding	D13/137.2
D852,132	S	*	6/2019	Nauroy	D13/108
D852,138	S	*	6/2019	Wen	D13/137.1
D852,139	S	*	6/2019	Wen	D13/137.1
D852,140	S	*	6/2019	Chen	D13/137.2
D855,571	S	*	8/2019	Zeng	D13/137.2
D856,933	S	*	8/2019	Lin	D13/137.2
D856,934	S	*	8/2019	Levy	D13/137.2

* cited by examiner

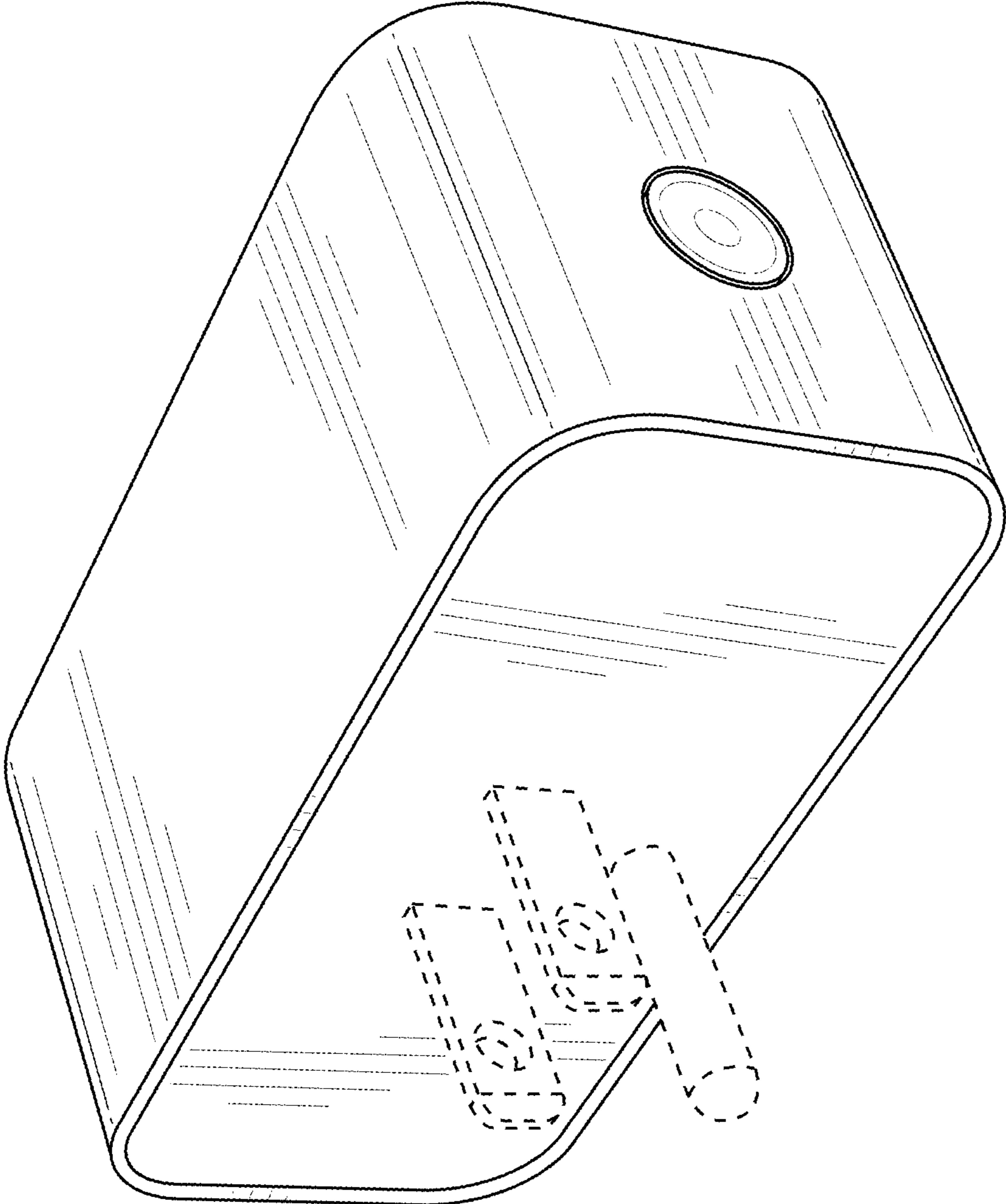


FIG. 1

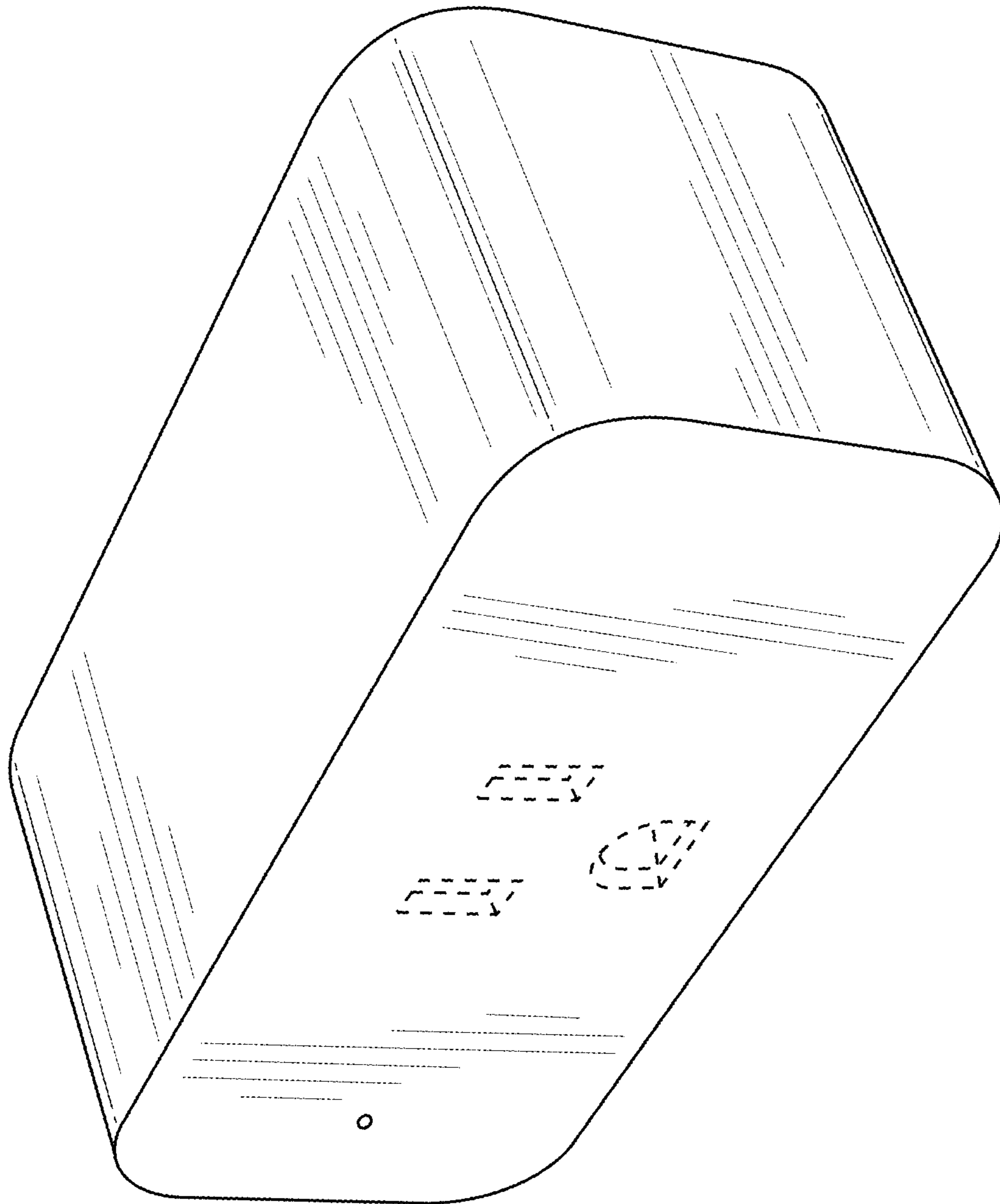


FIG. 2

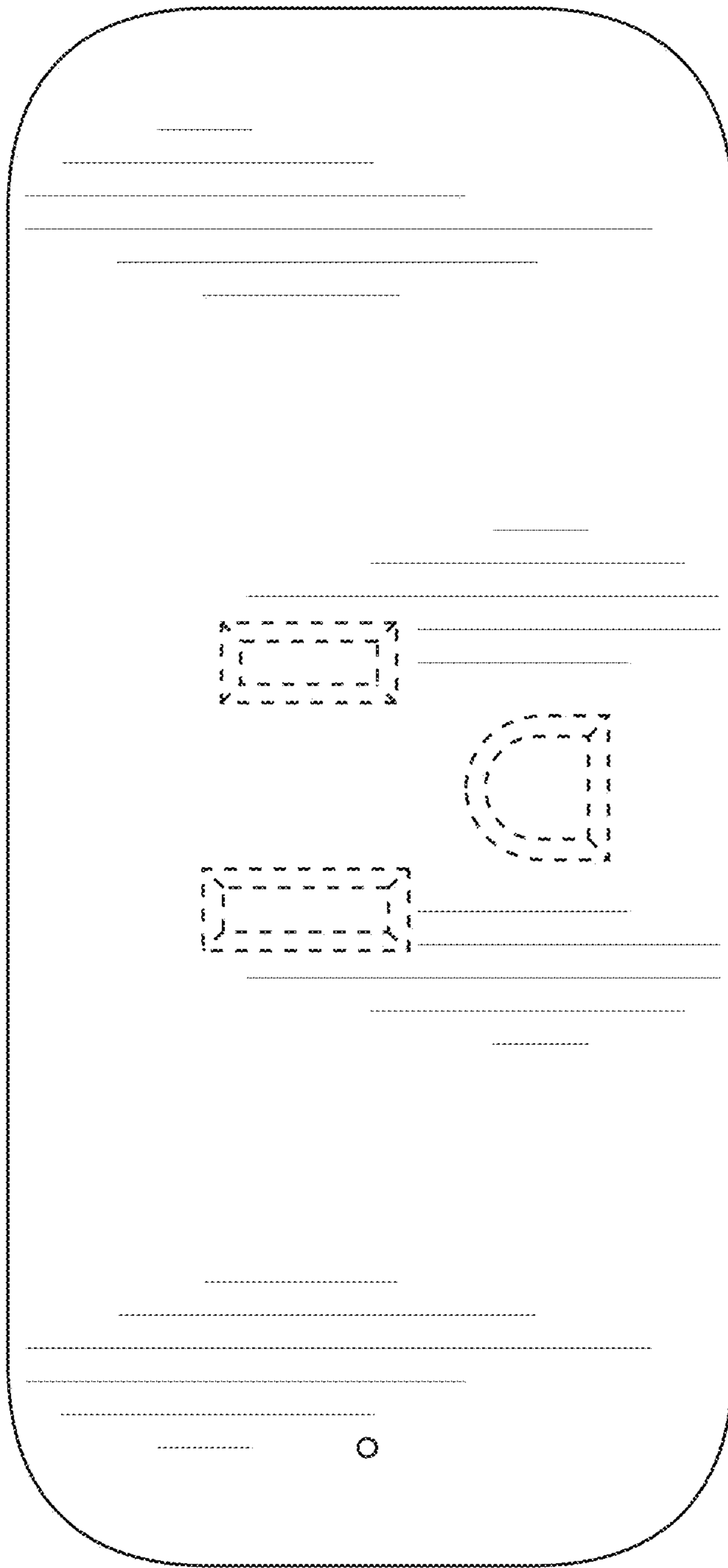


FIG. 3

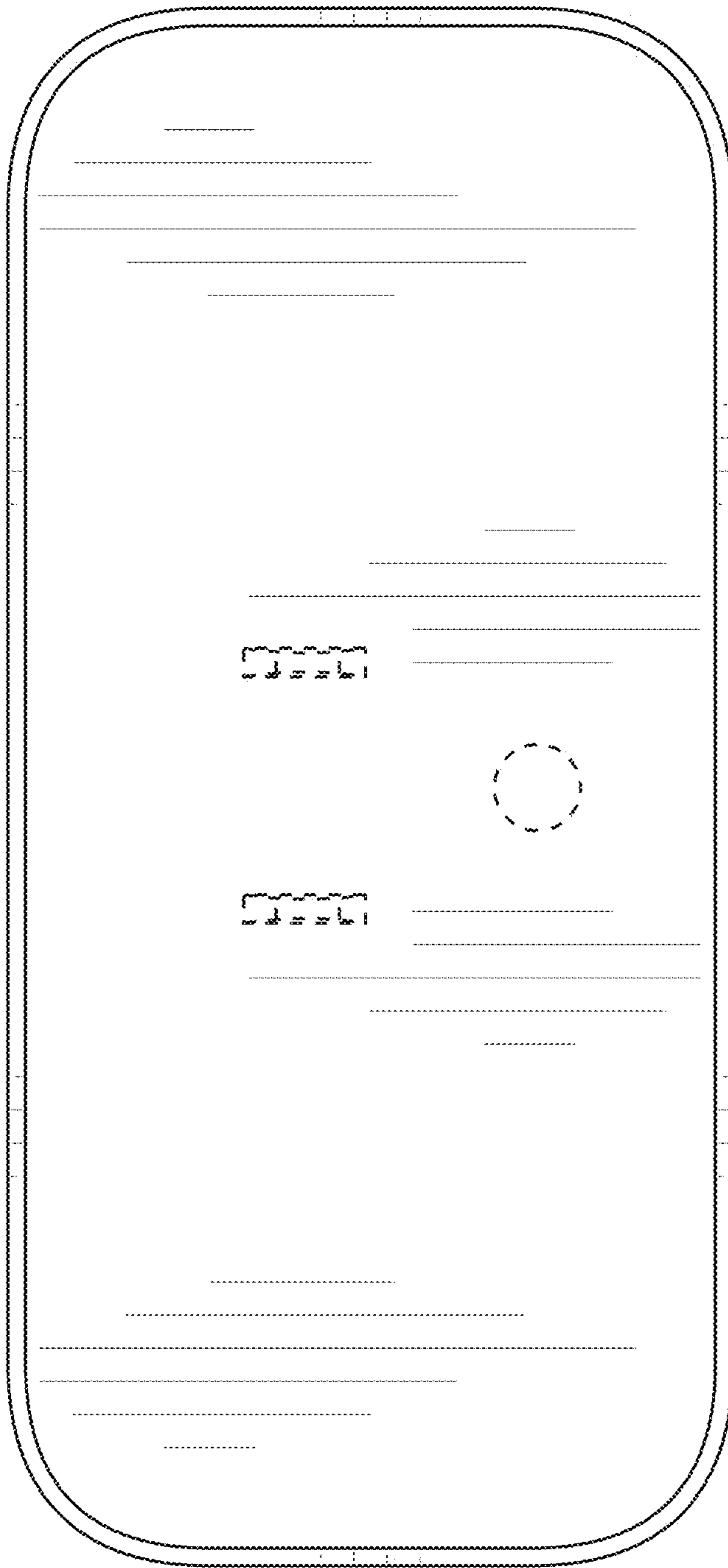


FIG. 4

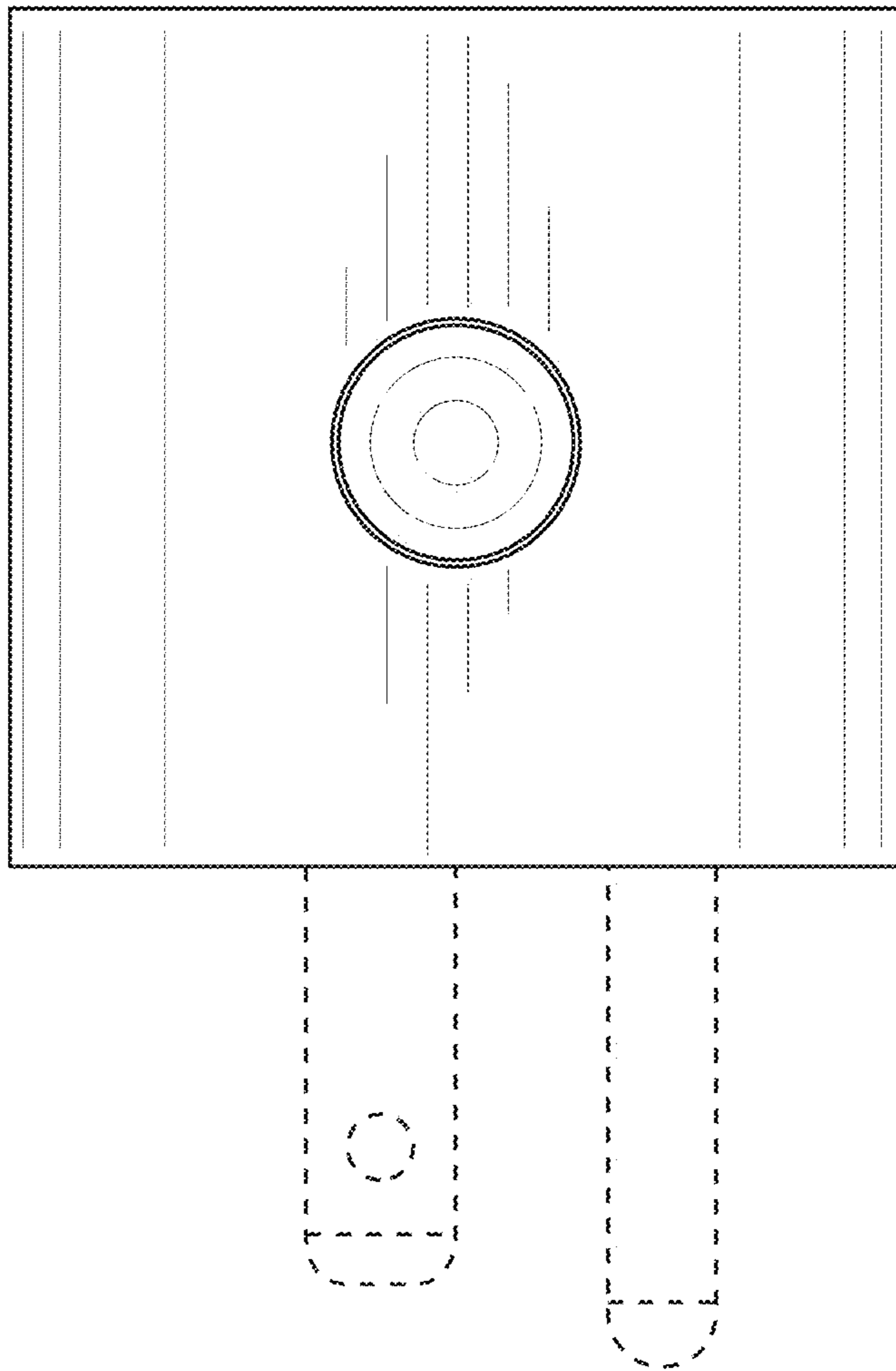


FIG. 5

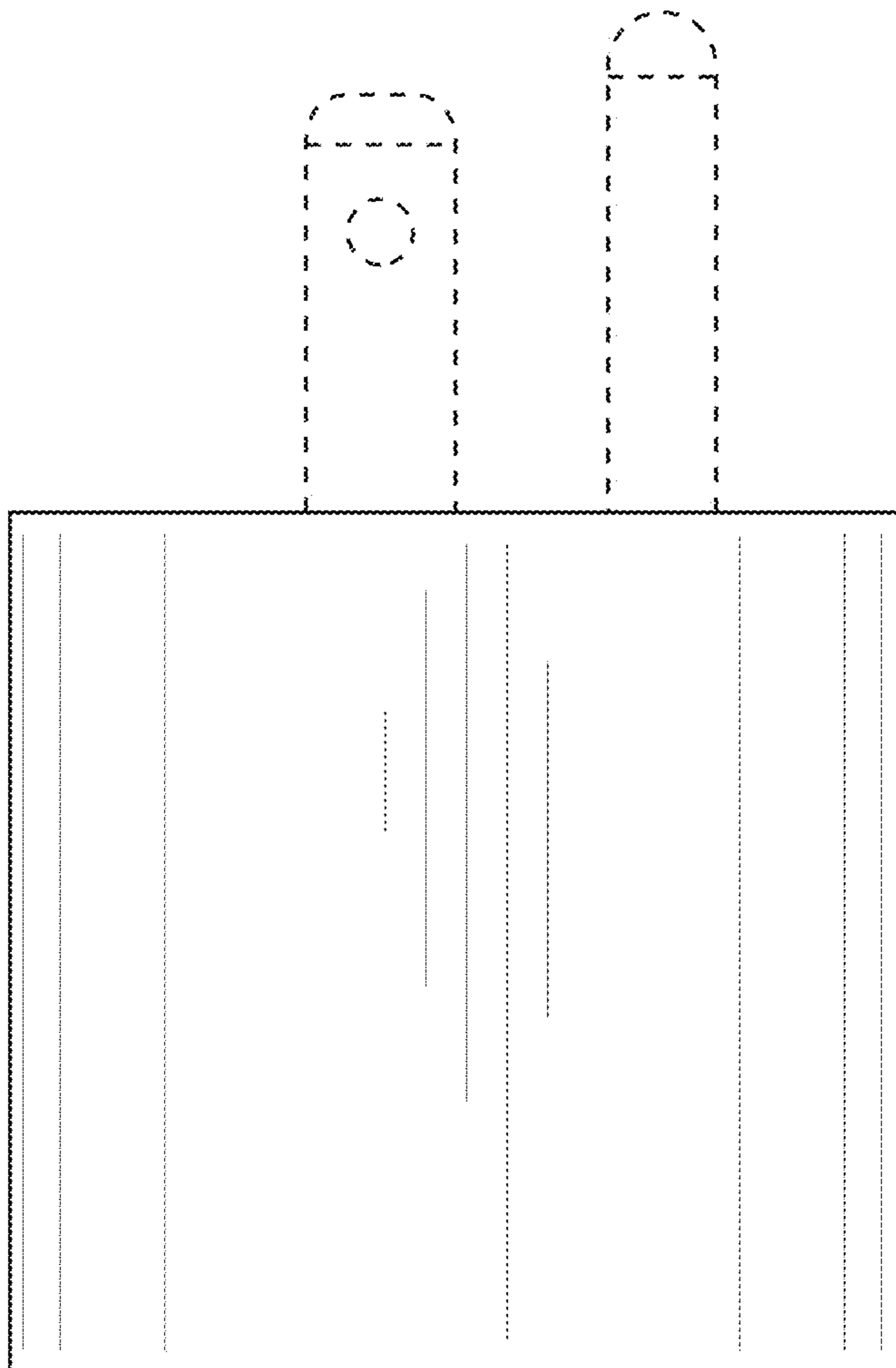


FIG. 6

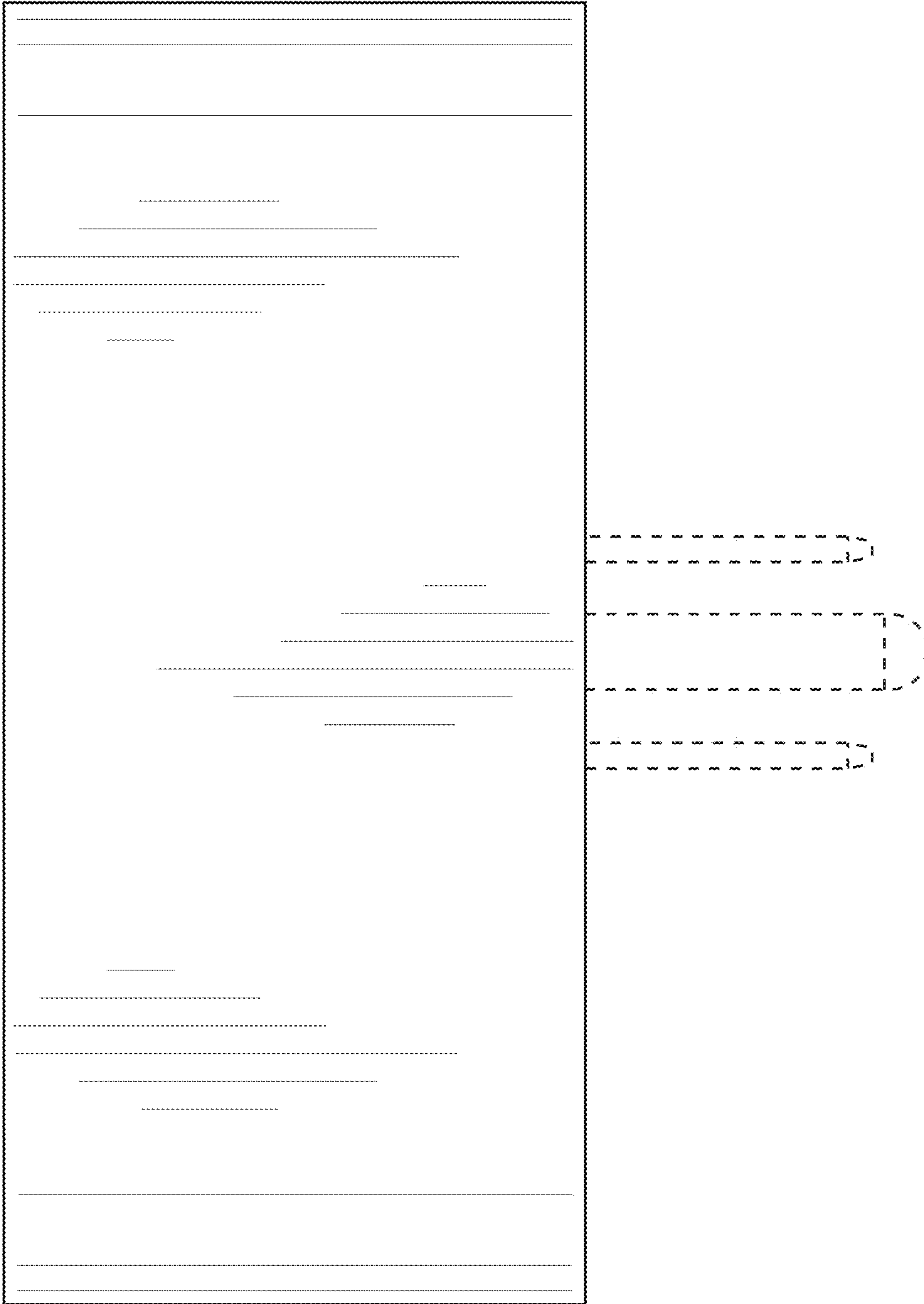


FIG. 7

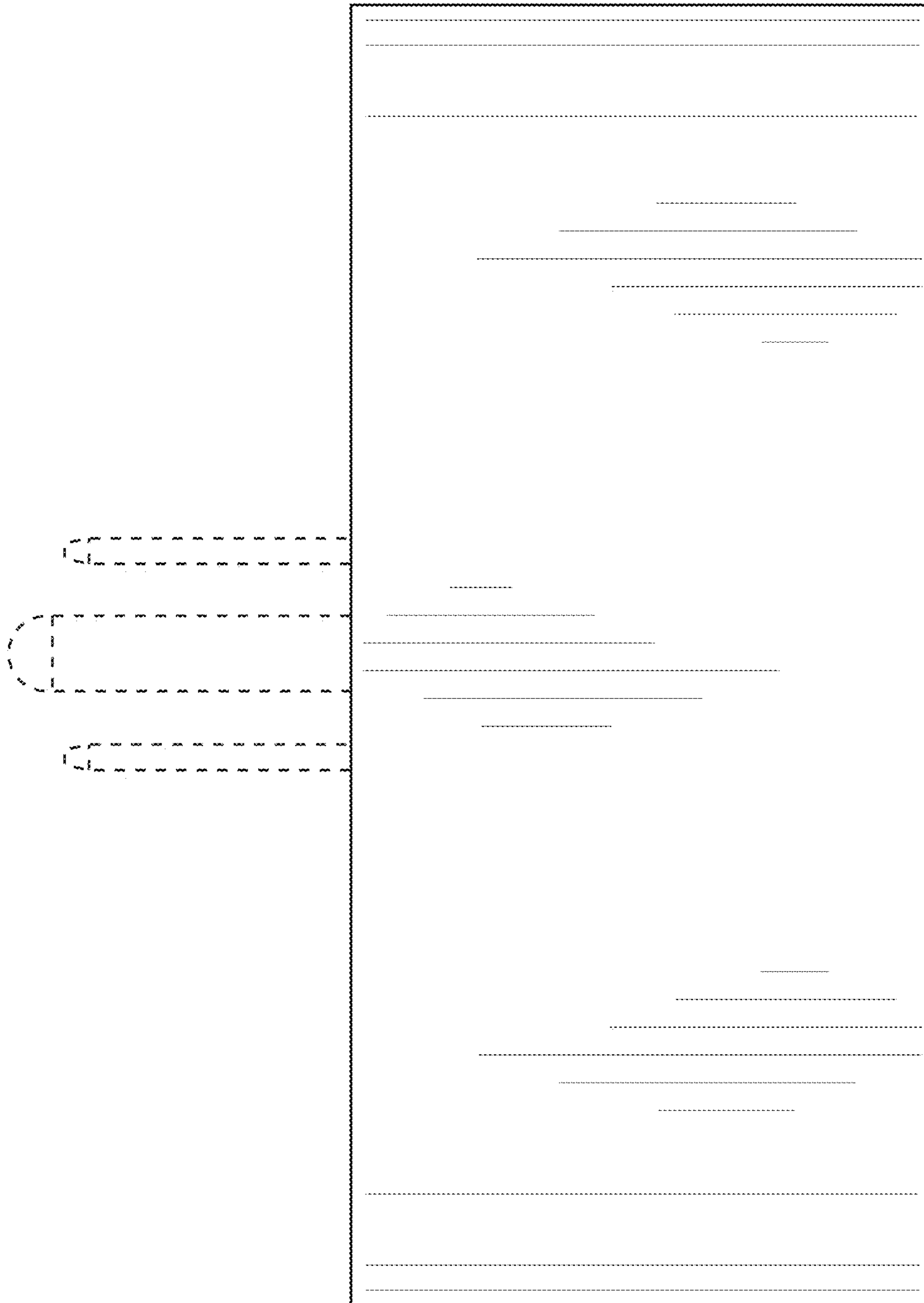


FIG. 8