



US00D874399S

(12) **United States Design Patent**  
**Lockenwitz**

(10) **Patent No.:** **US D874,399 S**

(45) **Date of Patent:** **\*\* Feb. 4, 2020**

(54) **CHARGING BASE STATION**

(71) Applicant: **OTICON MEDICAL A/S**, Smørum  
(DK)

(72) Inventor: **Christian Lockenwitz**, København  
(DK)

(73) Assignee: **OTICON MEDICAL A/S**, Smørum  
(DK)

(\*\*) Term: **15 Years**

(21) Appl. No.: **29/627,254**

(22) Filed: **Nov. 24, 2017**

(30) **Foreign Application Priority Data**

May 24, 2017 (EM) ..... 004016616-0001  
May 24, 2017 (EM) ..... 004016616-0002

(51) **LOC (12) Cl.** ..... **13-02**

(52) **U.S. Cl.**  
USPC ..... **D13/108**

(58) **Field of Classification Search**  
USPC ..... D13/107-110, 118-119, 184, 199;  
D14/251, 253, 432, 434  
CPC ..... Y02E 60/12; Y02T 90/14; Y02T 90/122;  
Y02T 90/128; Y02T 90/163; H02J 7/025;  
H02J 7/0042; H02J 7/0044; H02J 7/0045;  
H02J 7/0003; H01F 38/14; H01R  
13/6675; H01M 2/1022; H01M 2/1055;  
H01M 10/44; H01M 10/46; H01M  
10/425; B60L 11/182

See application file for complete search history.

(56) **References Cited**

**U.S. PATENT DOCUMENTS**

D521,927 S \* 5/2006 Franck ..... D13/108  
D526,973 S \* 8/2006 Gates ..... D13/168  
D537,409 S \* 2/2007 Suzuki ..... D13/108

D575,289 S \* 8/2008 Kuo ..... D14/434  
D608,277 S \* 1/2010 Cano ..... D13/108  
D609,636 S \* 2/2010 Jensen ..... D13/108  
D627,718 S \* 11/2010 Houghton ..... D13/108  
D682,200 S \* 5/2013 Rautiainen ..... D13/108  
D691,086 S \* 10/2013 Custon ..... D13/108  
D694,182 S \* 11/2013 Lee ..... D13/108  
D717,244 S \* 11/2014 Reishus ..... D13/108  
D718,234 S \* 11/2014 Rautiainen ..... D13/108  
D718,236 S \* 11/2014 Murray ..... D13/108  
D735,133 S \* 7/2015 Reishus ..... D13/108  
D740,750 S \* 10/2015 Mayden ..... D13/108  
D749,504 S \* 2/2016 Jeong ..... D13/108  
D772,813 S \* 11/2016 Wahl ..... D13/108  
D784,259 S \* 4/2017 Huang ..... D13/108  
D794,557 S \* 8/2017 Kim ..... D13/108  
D795,182 S \* 8/2017 Akana ..... D13/108  
D797,042 S \* 9/2017 Miller ..... D13/107  
D810,015 S \* 2/2018 Carreon ..... D13/108  
D821,307 S \* 6/2018 Calachan ..... D13/107

\* cited by examiner

*Primary Examiner* — Rosemary K Tarcza

(74) *Attorney, Agent, or Firm* — Birch, Stewart, Kolasch  
& Birch, LLP

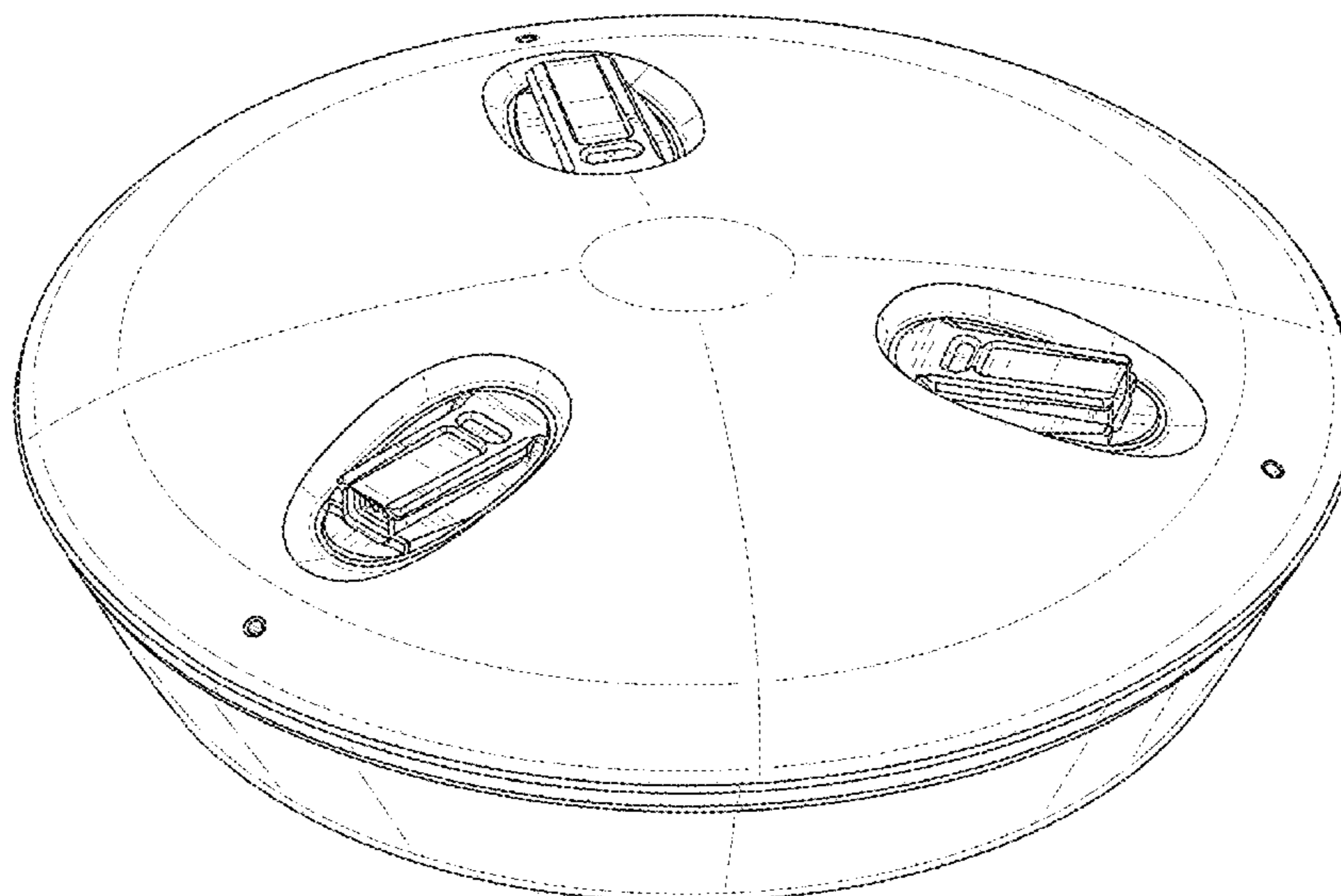
(57) **CLAIM**

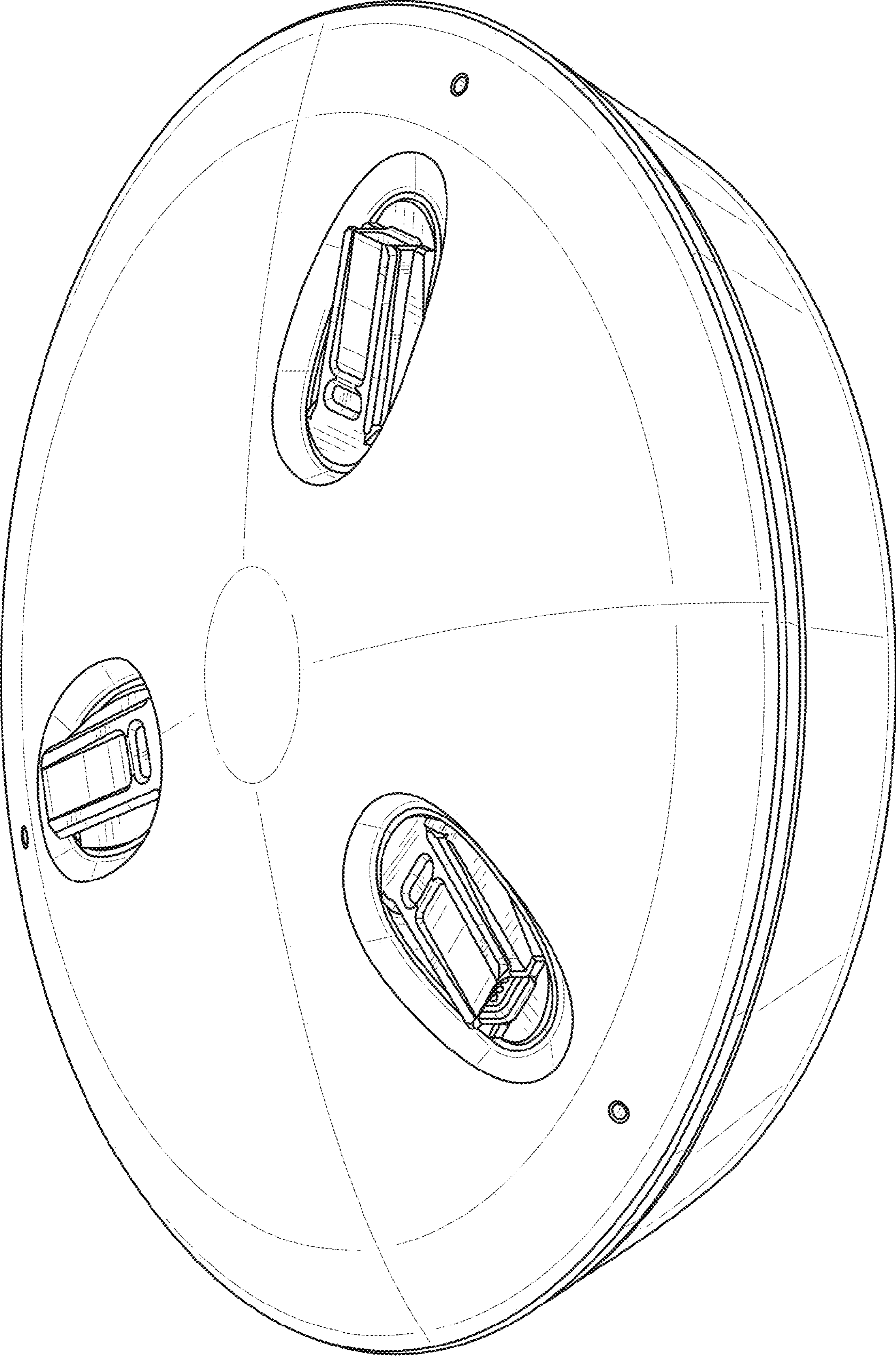
The ornamental design for a charging base station, as shown  
and described.

**DESCRIPTION**

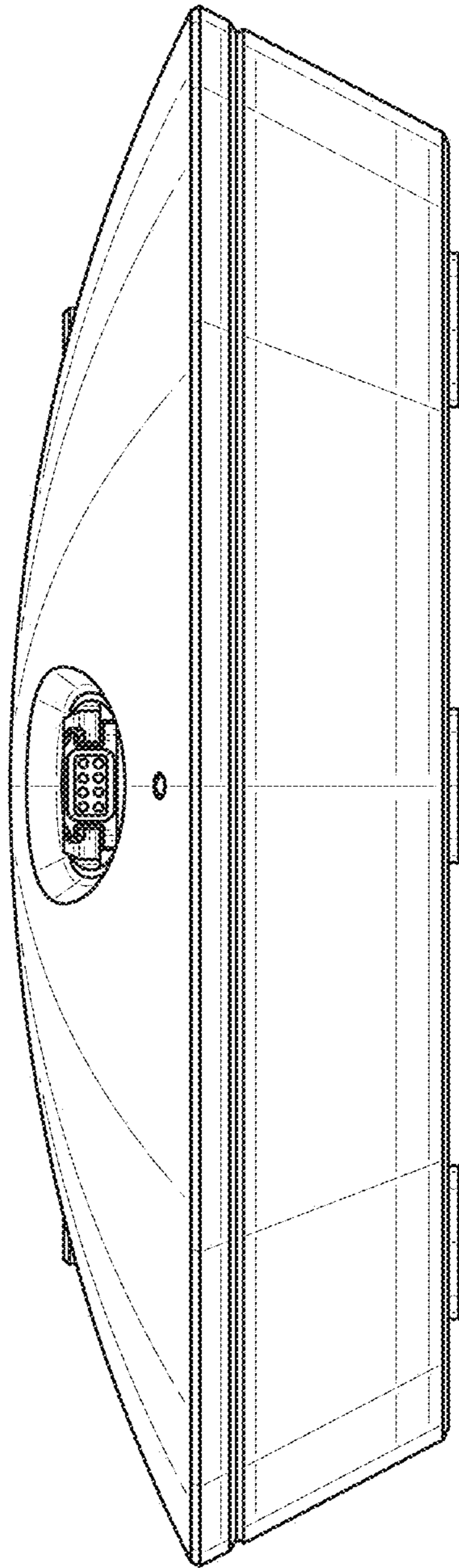
FIG. 1 is a perspective view of the charging base station;  
FIG. 2 is a front view of the charging base station;  
FIG. 3 is a top view of the charging base station;  
FIG. 4 is a rear view of the charging base station;  
FIG. 5 is a bottom view of the charging base station;  
FIG. 6 is a left side view of the charging base station; and,  
FIG. 7 is a right side view of the charging base station.  
The broken lines shown in the drawings are included for the  
purpose of illustrating portions of the charging base station  
that form no part of the claimed design.

**1 Claim, 7 Drawing Sheets**





**FIG. 1**



**FIG. 2**

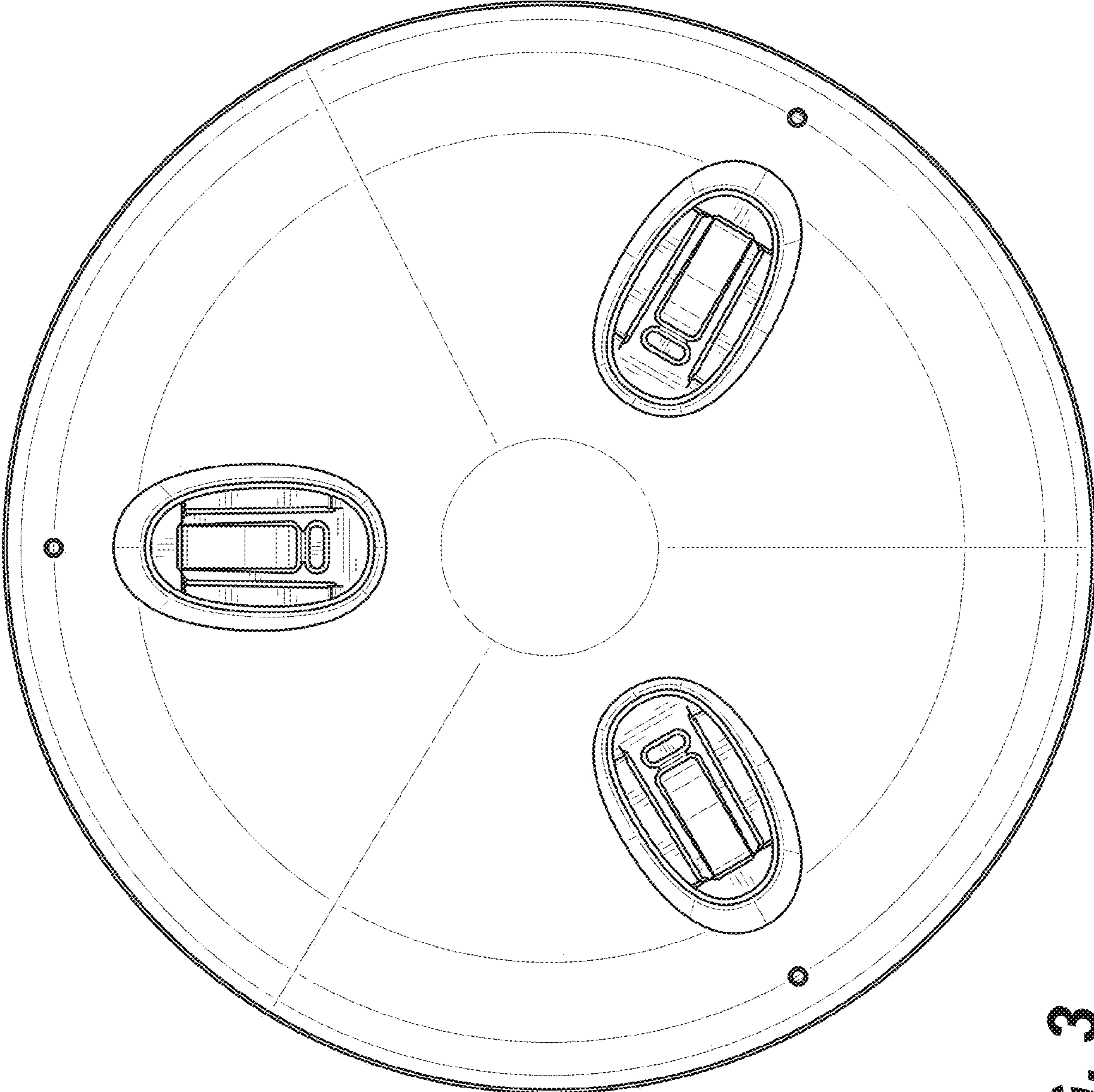
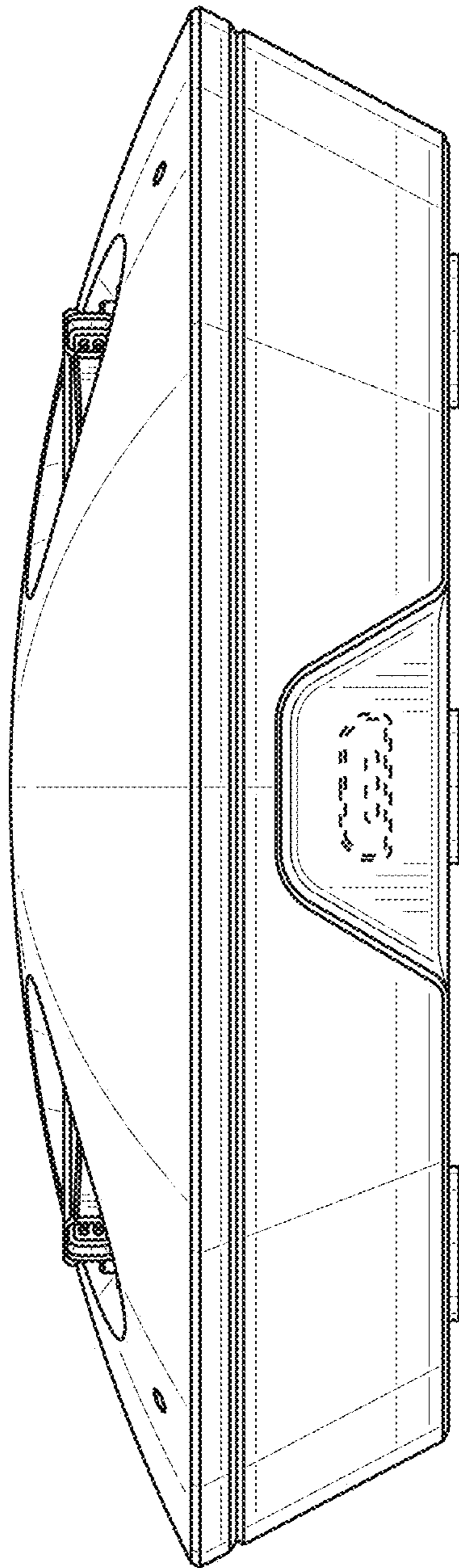


FIG. 3



**FIG. 4**

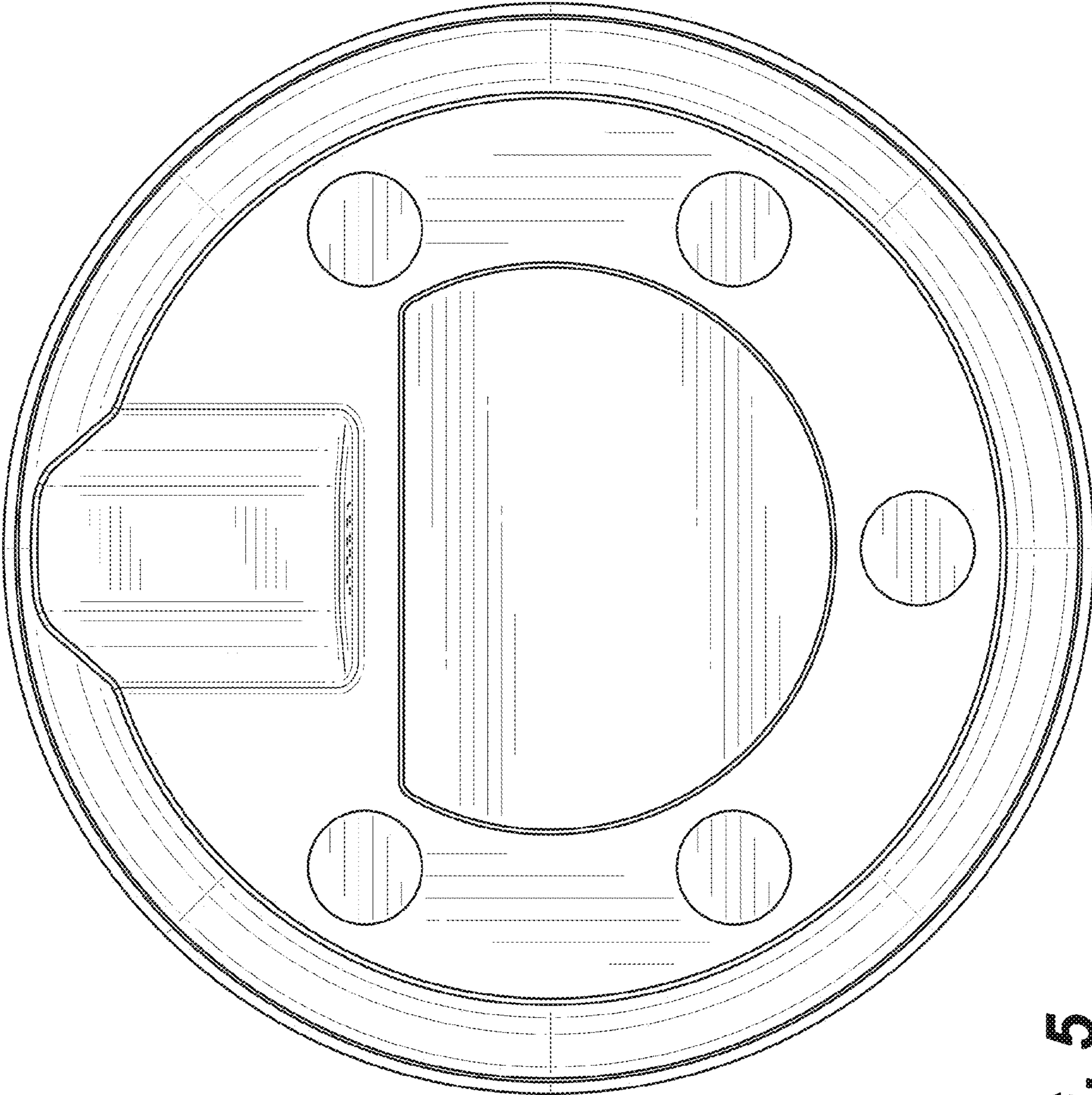
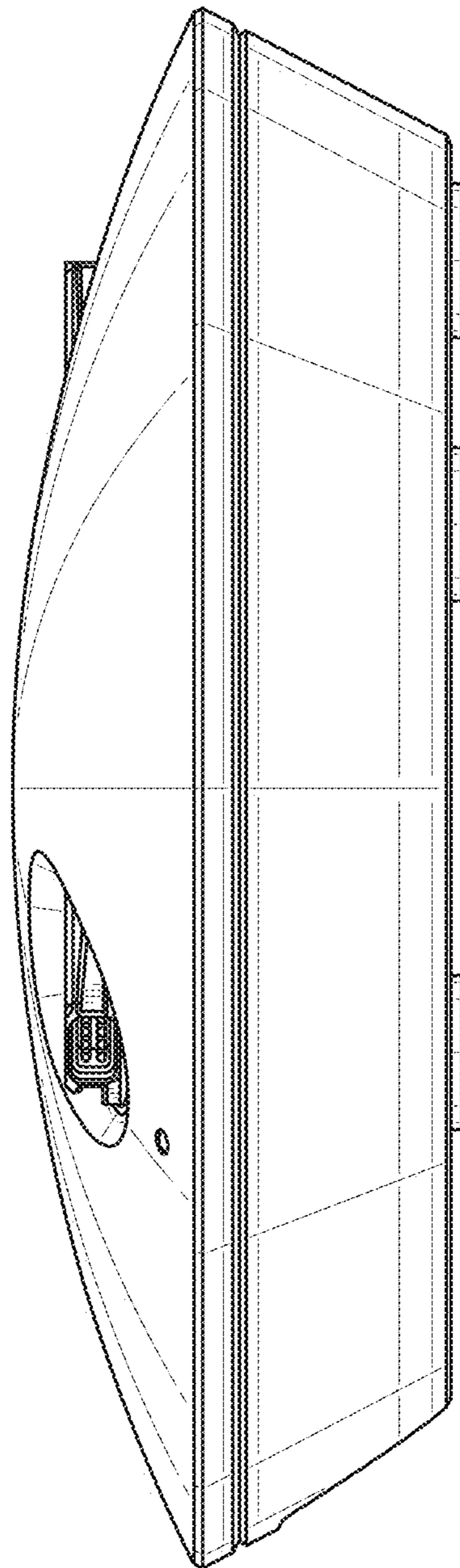
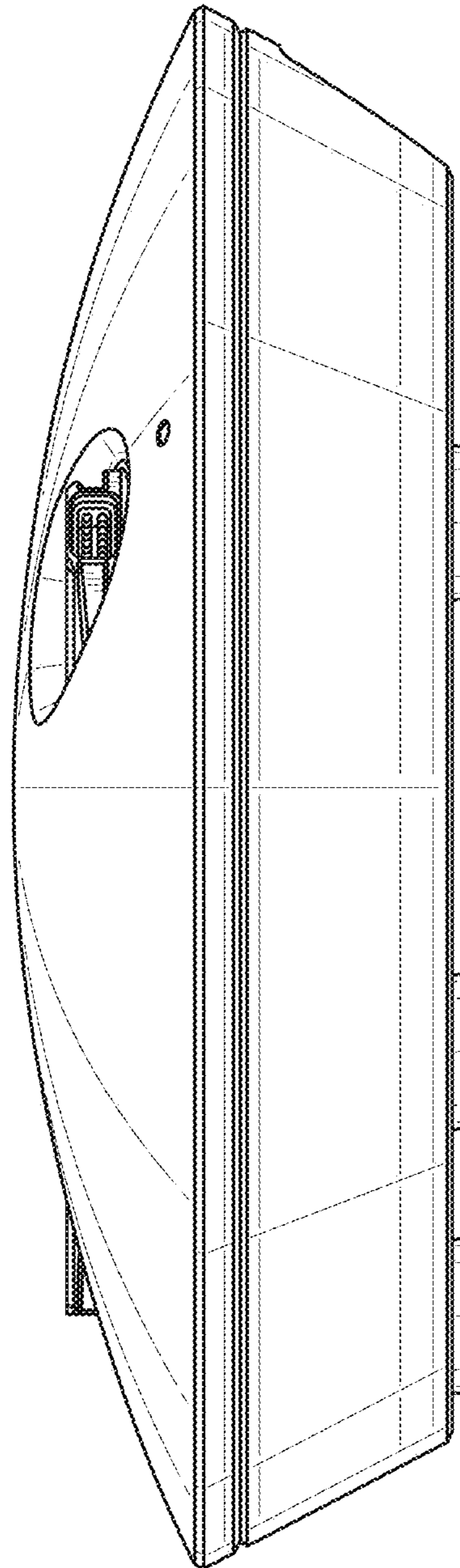


FIG. 5



**FIG. 6**



**FIG. 7**