



US00D874397S

(12) **United States Design Patent** (10) **Patent No.:** **US D874,397 S**
Sun et al. (45) **Date of Patent:** **** Feb. 4, 2020**

(54) **PORTABLE POWER SUPPLY**

(56) **References Cited**

(71) Applicant: **Shenzhen Hello Tech Energy Co., Ltd.**, Shenzhen, Guangdong Province (CN)

U.S. PATENT DOCUMENTS

(72) Inventors: **Zhongwei Sun**, Shenzhen (CN); **Wei Bai**, Shenzhen (CN)

D506,723 S *	6/2005	Krieger	D13/107
D506,724 S *	6/2005	Hriscu	D13/107
D508,675 S *	8/2005	Krieger	D13/107
D511,491 S *	11/2005	Hriscu	D13/107
D527,342 S *	8/2006	Krieger	D13/107
D530,271 S *	10/2006	Hriscu	D13/107
D549,170 S *	8/2007	Yen	D13/107
D585,822 S *	2/2009	Hsu	D13/107
D706,710 S *	6/2014	Inskeep	D13/107
D811,324 S *	2/2018	Inskeep	D13/107
D813,161 S *	3/2018	Ortakales	D13/110
D815,039 S *	4/2018	Wen	D13/110
D821,313 S *	6/2018	Yang	D13/110

(73) Assignee: **SHENZHEN HELLO TECH ENERGY CO., LTD.**, Shenzhen, Guangdong Province (CN)

(**) Term: **15 Years**

(Continued)

(21) Appl. No.: **29/660,795**

Primary Examiner — Rosemary K Tarcza

(22) Filed: **Aug. 22, 2018**

(74) *Attorney, Agent, or Firm* — Cheng-Ju Chiang

(30) **Foreign Application Priority Data**

Jun. 7, 2018 (CN) 2018 3 0284473

(51) **LOC (12) Cl.** **13-02**

(57) **CLAIM**

(52) **U.S. Cl.**
USPC **D13/107**

The ornamental design for a portable power supply, as shown and described.

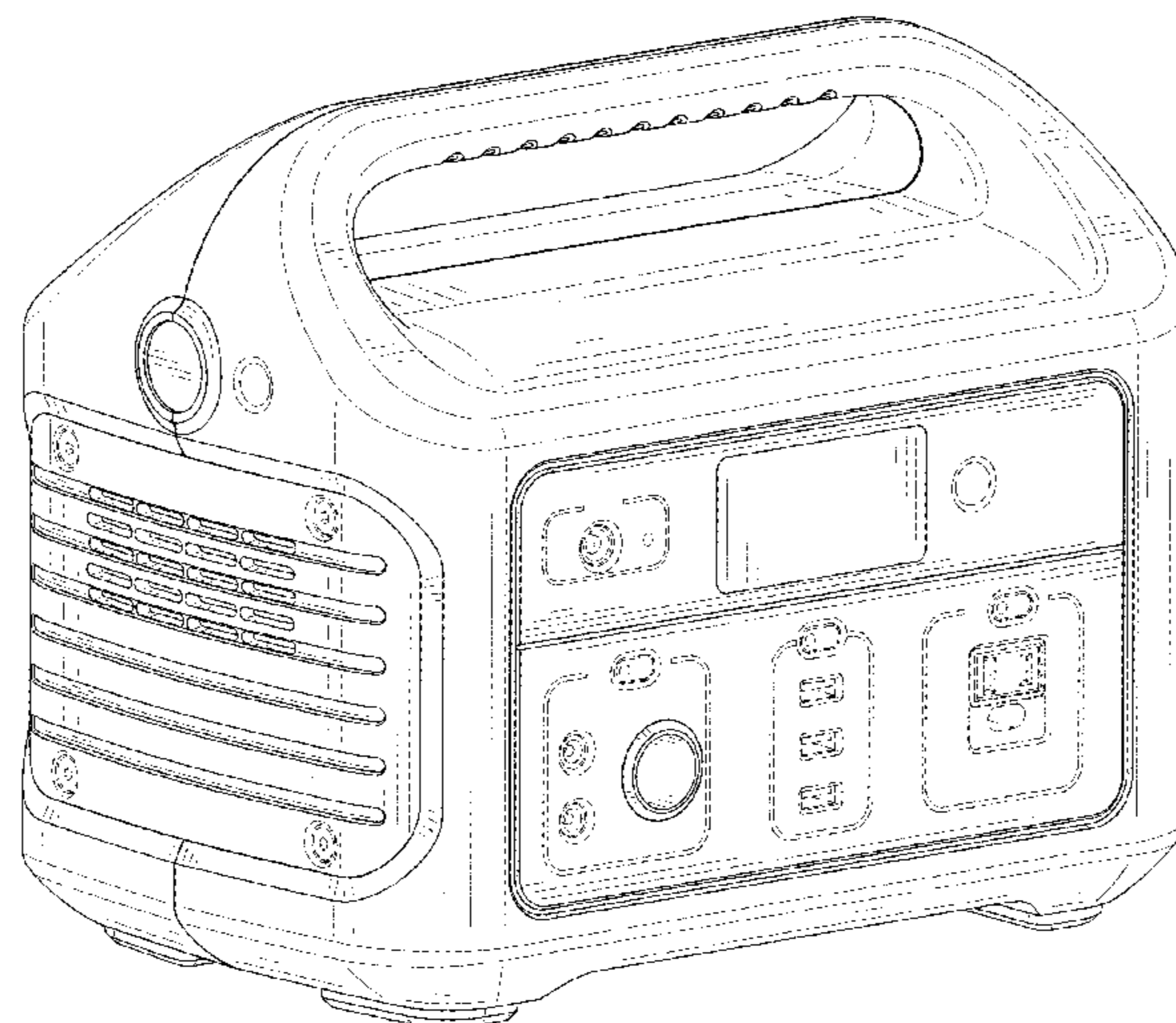
(58) **Field of Classification Search**
USPC D13/103, 107–110, 118–119, 184, 199;
D14/251, 253, 432, 434; D15/9
CPC Y02E 60/10; Y02E 60/12; Y02E 60/122;
Y02E 60/124; Y02E 60/50; H02J 7/00;
H02J 7/0003; H02J 7/0011; H02J 7/0013;
H02J 7/0034; H02J 7/0054; H02J 7/0055;
H02J 7/0057; H02J 7/1423; H02J
2001/006; H01M 10/44; H01M 10/46;
H01M 10/465; H01M 10/482; H01M
2/02; H01M 2/022; H01M 2/0202; H01M
2/0207; H01M 2/0212; H01M 2/1061;
H01M 2/1022; H01M 2/1055; H01M
2/1066; H01M 2/105; H01M 2/20; H01M
2/202; H01M 2/204; H01M 2/206; H01M
2200/30; H01M 2250/30; H01M 2250/40;
Y02T 10/7005; Y02T 10/705; Y02T
10/7088

DESCRIPTION

FIG. 1 is a front, left and top side perspective view of a portable power supply showing the new design;
FIG. 2 is a rear, right and bottom side perspective view thereof;
FIG. 3 is a front view thereof;
FIG. 4 is a rear view thereof;
FIG. 5 is a left side view thereof;
FIG. 6 is a right side view thereof;
FIG. 7 is a top view thereof; and,
FIG. 8 is a bottom view thereof.
The broken lines are for the purpose of illustrating portions of the portable power supply that form no part of the claimed design.

See application file for complete search history.

1 Claim, 8 Drawing Sheets



(56)

References Cited

U.S. PATENT DOCUMENTS

D823,789 S *	7/2018	Yang	D13/107
D825,457 S *	8/2018	Yang	D13/107
D856,276 S *	8/2019	Vetu	D13/107
D856,924 S *	8/2019	Yang	D13/108

* cited by examiner

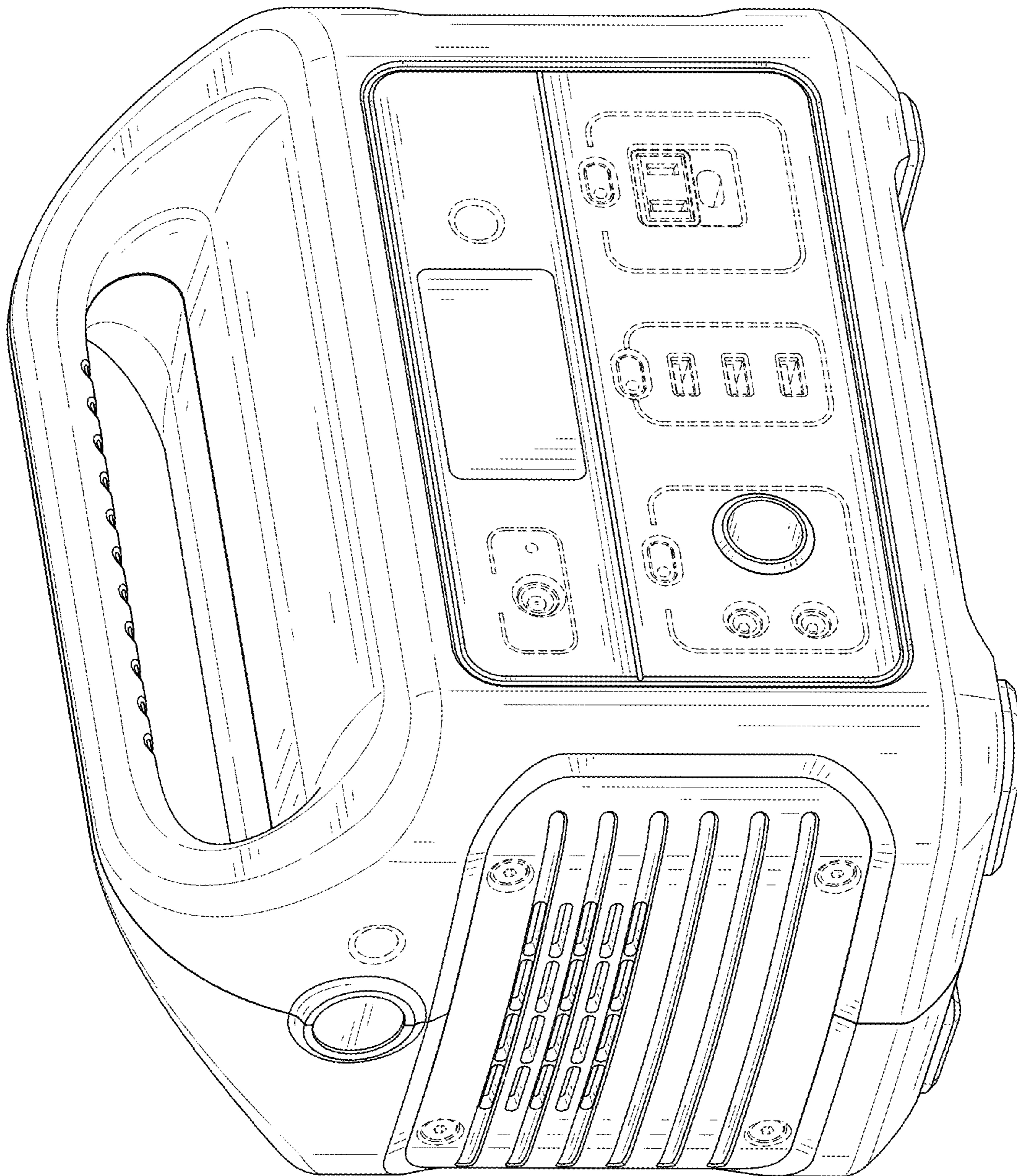


FIG. 1

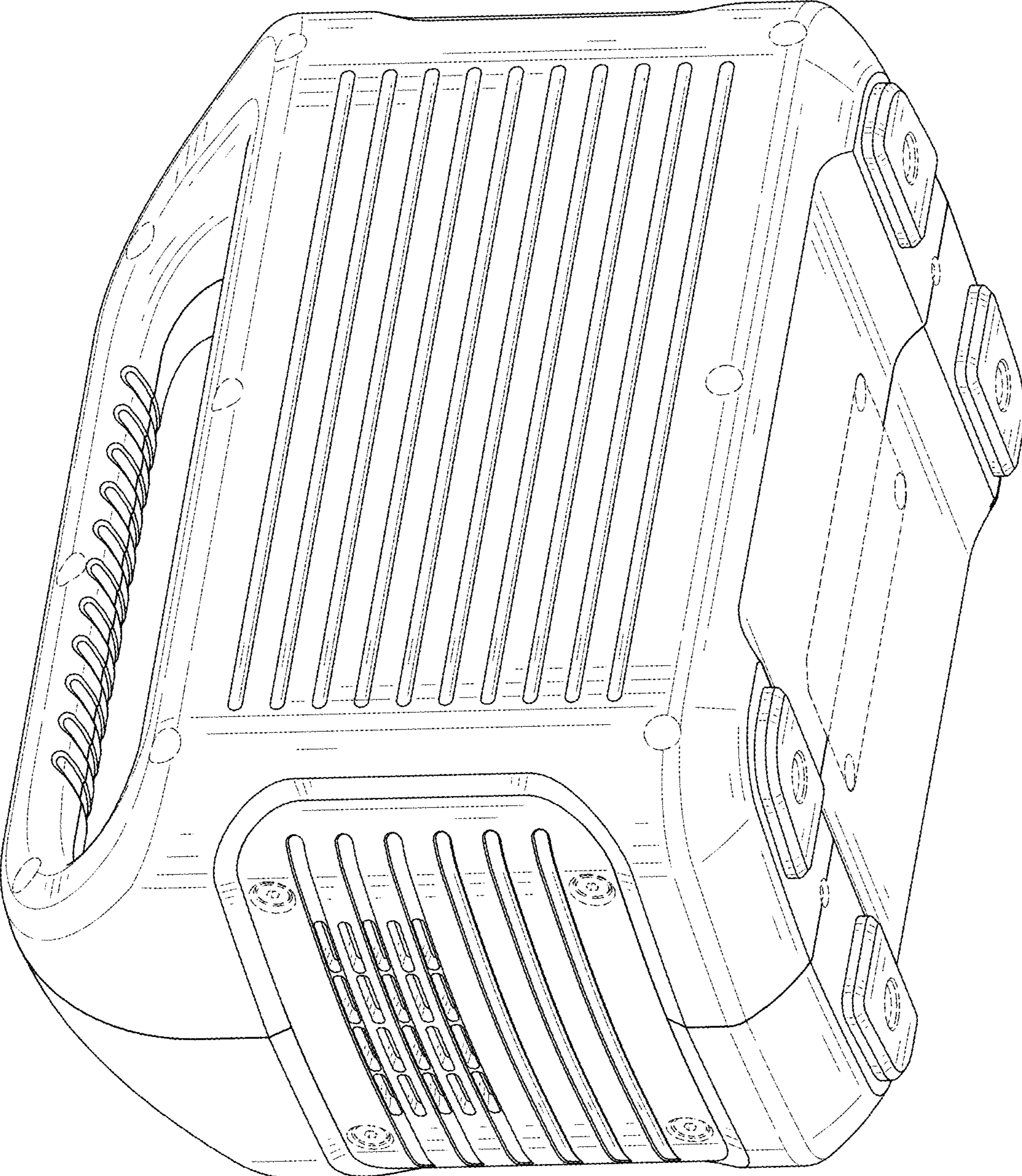


FIG. 2

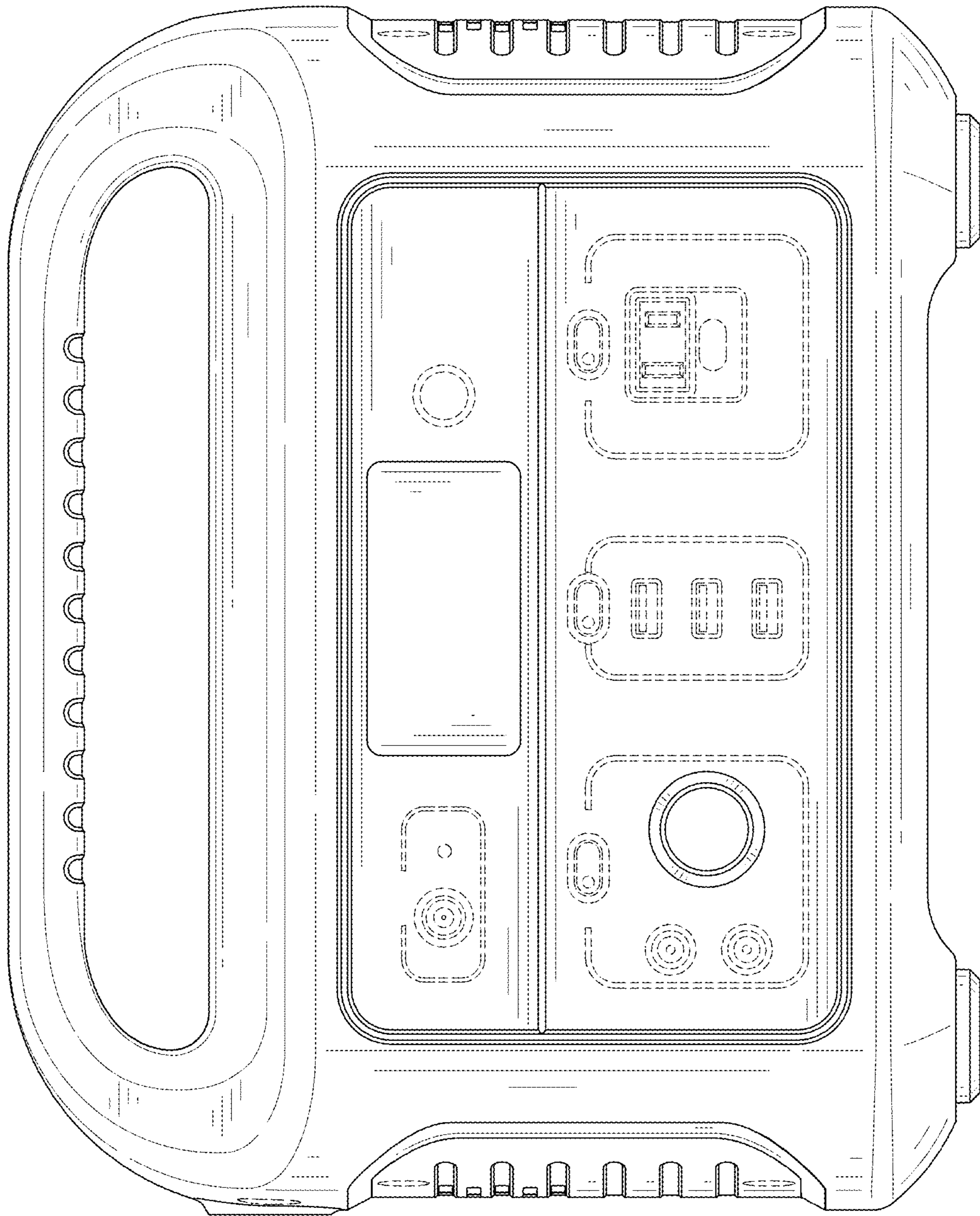


FIG. 3

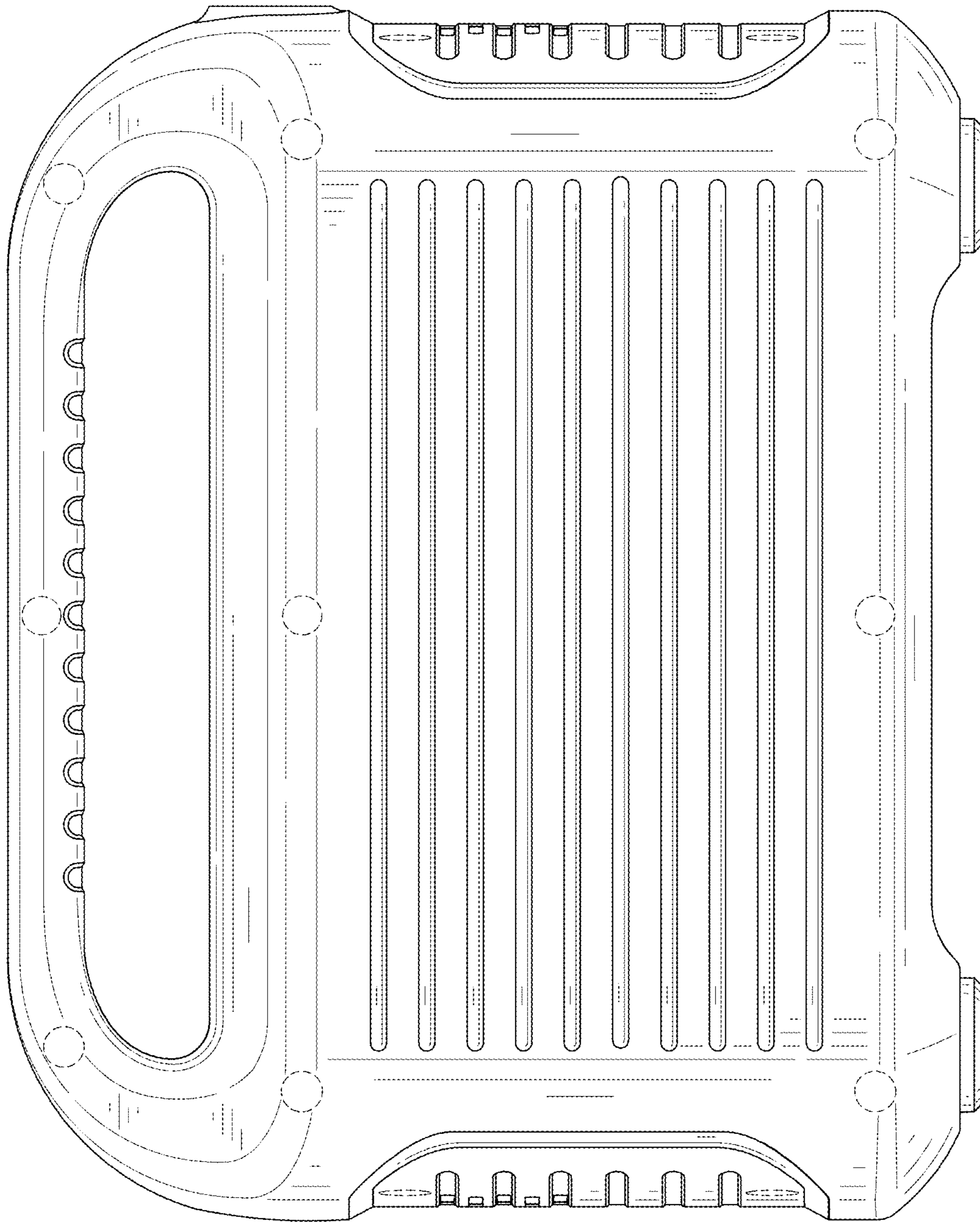


FIG. 4

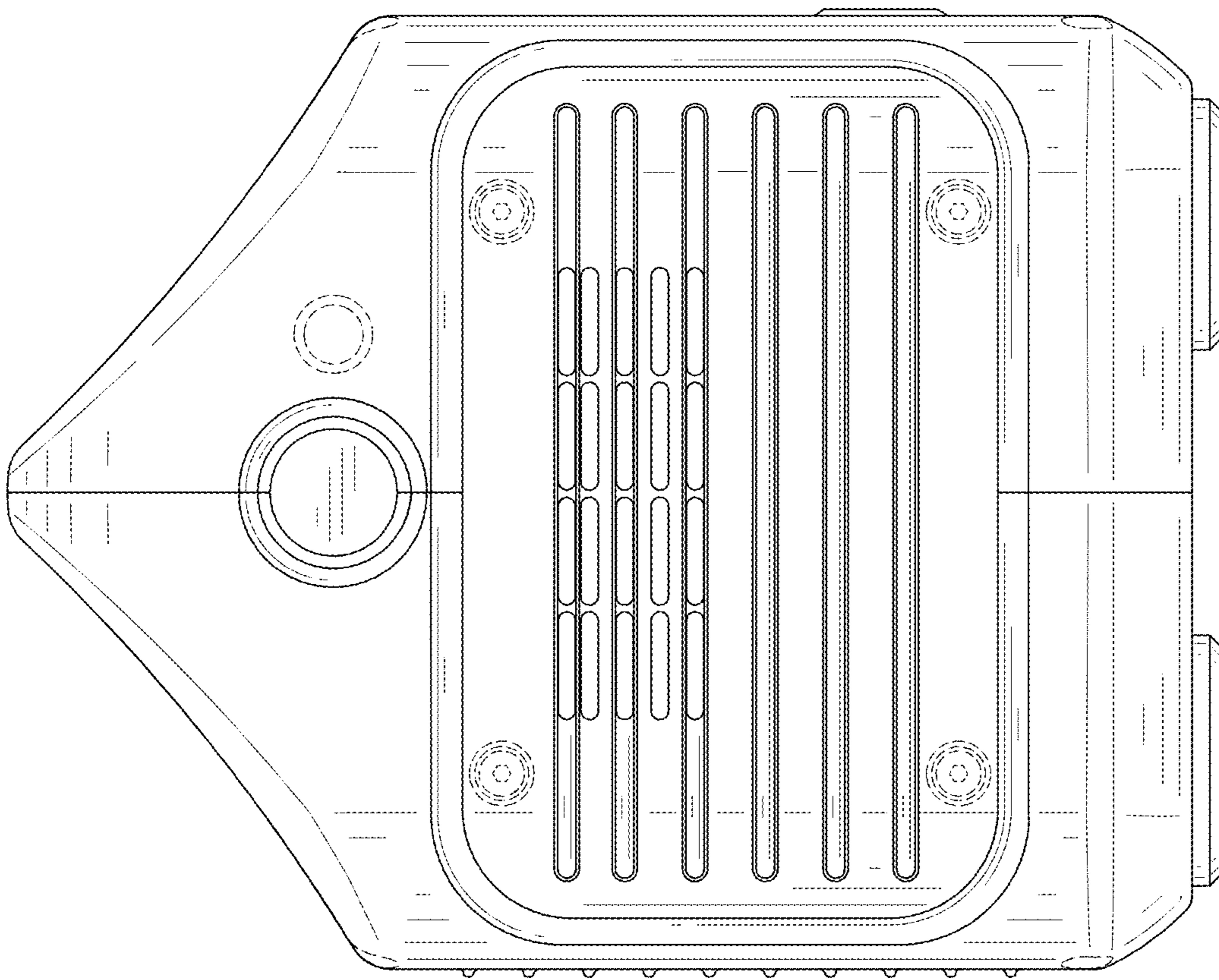


FIG. 5

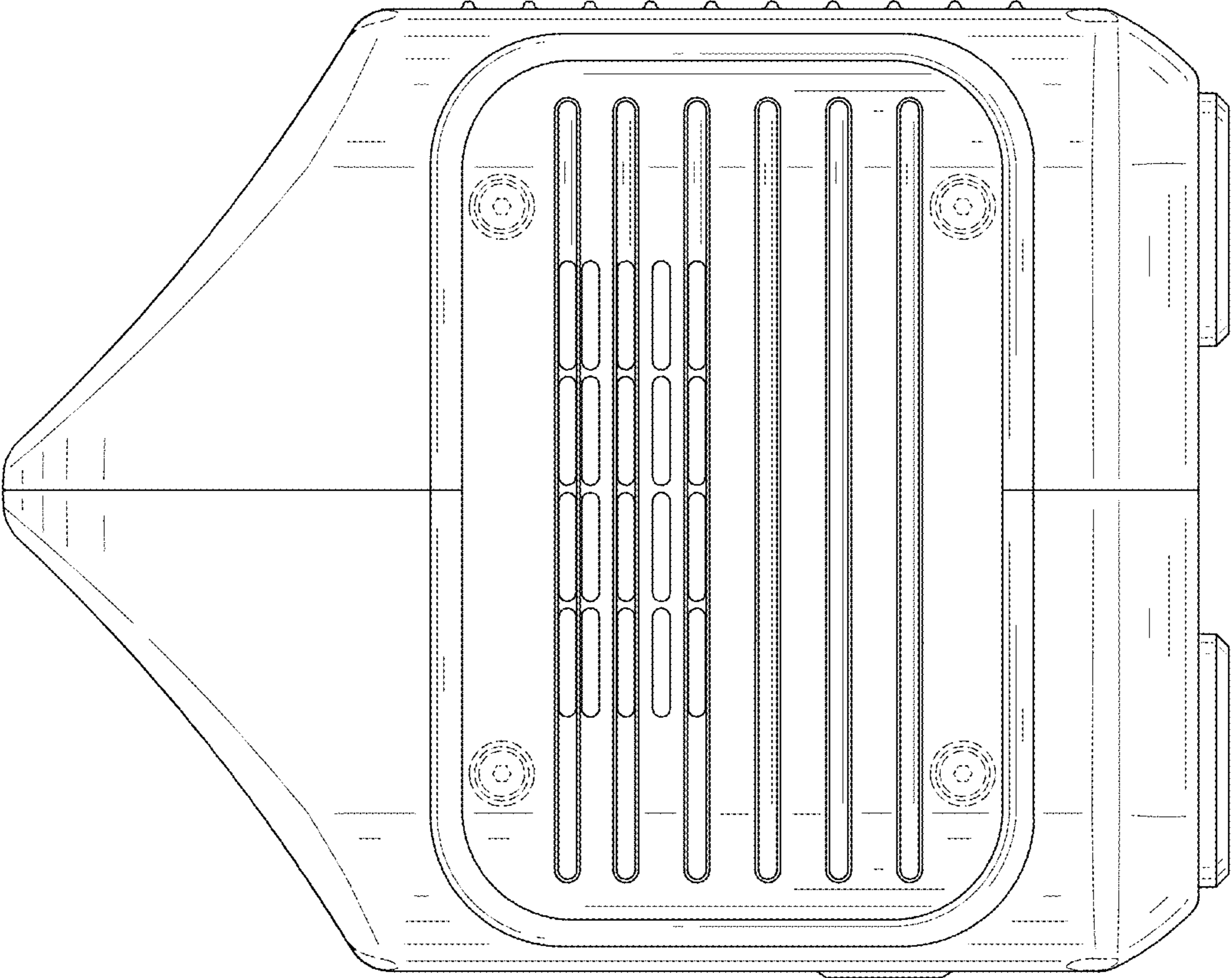


FIG. 6

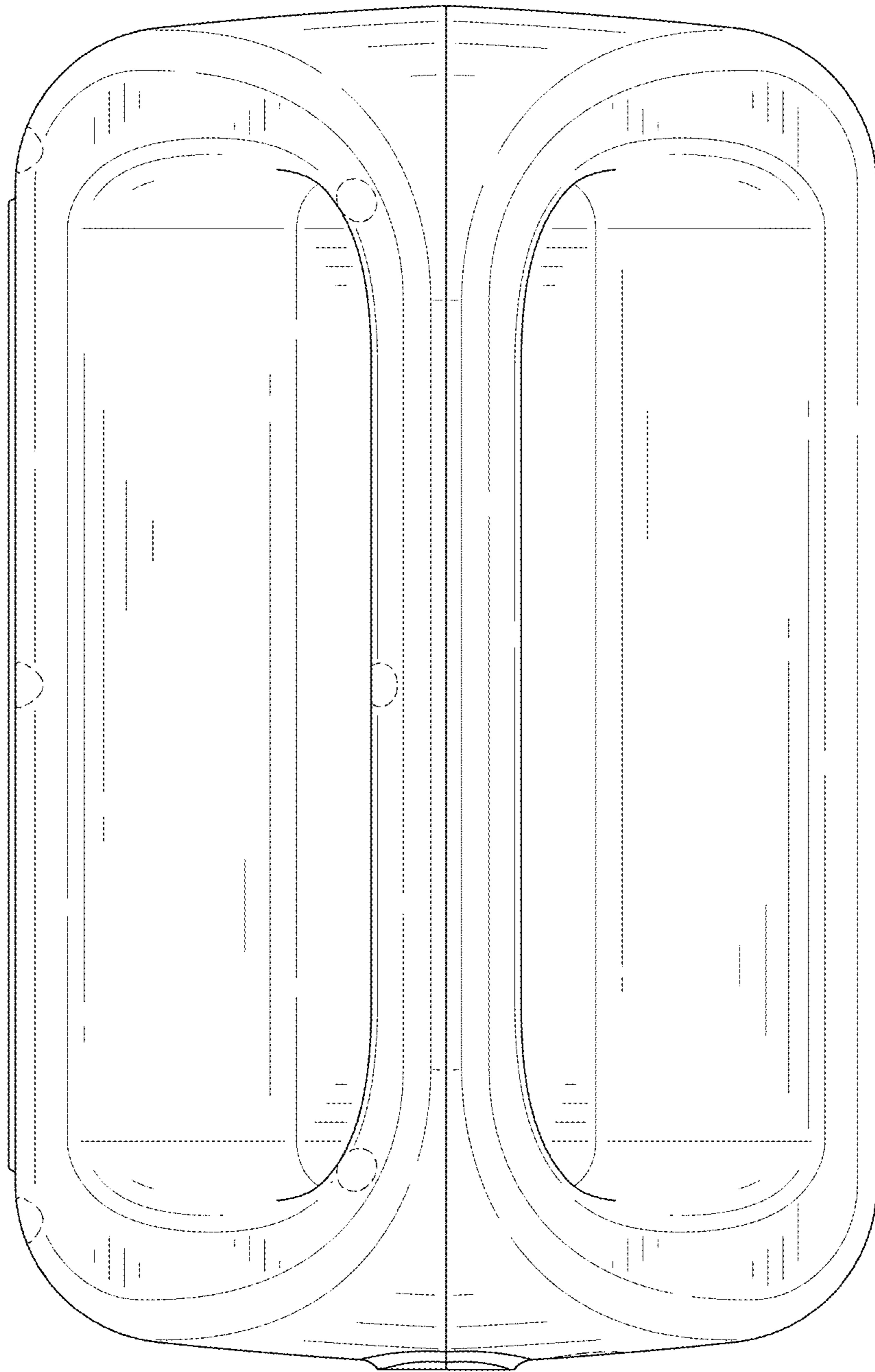


FIG. 7

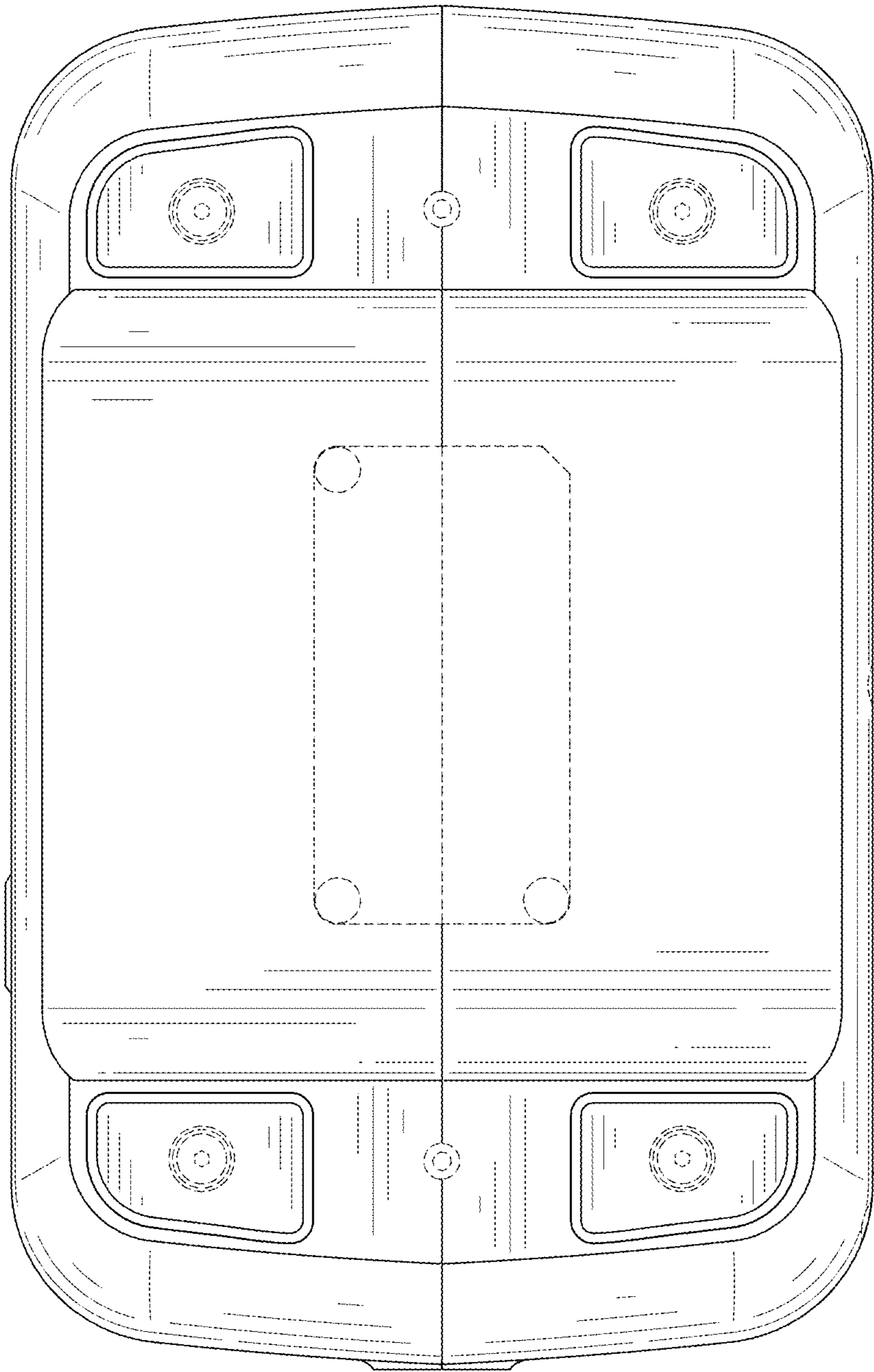


FIG. 8