



US00D874394S

(12) **United States Design Patent**  
**Stoermer**

(10) **Patent No.:** **US D874,394 S**  
(45) **Date of Patent:** **\*\* Feb. 4, 2020**

- (54) **BATTERY ENCLOSURE**
- (71) Applicant: **THE RAYMOND CORPORATION**,  
Greene, NY (US)
- (72) Inventor: **Gregory Stoermer**, Aurora, OR (US)
- (73) Assignee: **The Raymond Corporation**, Greene,  
NY (US)
- (\*\*) Term: **15 Years**
- (21) Appl. No.: **29/560,121**
- (22) Filed: **Apr. 4, 2016**
- (51) **LOC (12) Cl.** ..... **13-02**
- (52) **U.S. Cl.**  
USPC ..... **D13/103**
- (58) **Field of Classification Search**  
USPC ..... D13/102–110, 118–119, 184, 199;  
D14/356, 432  
CPC ..... Y02E 60/10; Y02E 60/12; Y02E 60/122;  
Y02E 60/124; Y02E 60/50; H01M 2/02;  
H01M 2/022; H01M 2/0202; H01M  
2/0207; H01M 2/0212; H01M 2/1061;  
H01M 2/1022; H01M 2/1055; H01M  
2/1066; H01M 2/105; H01M 2/20; H01M  
2/204; H01M 2/206; H01M 10/44; H01M  
10/46; H01M 10/465; H01M 10/482;  
H01M 2200/30; H01M 2250/30; H01M  
2250/40; H01M 2200/00; H01M 2/1016;  
H02J 7/00; H02J 7/0003; H02J 7/0011;  
H02J 7/0013; H02J 7/0054; H02J 7/0055;  
H02J 7/0057; H02J 2007/0062  
See application file for complete search history.

- (56) **References Cited**  
U.S. PATENT DOCUMENTS  
3,663,939 A \* 5/1972 Olsson ..... G01R 31/006  
320/107  
D268,341 S \* 3/1983 Mallon ..... D13/119

- D348,044 S \* 6/1994 Alexandres ..... D13/103
- 5,833,118 A \* 11/1998 Weiss ..... B65D 5/725  
221/309
- 5,939,858 A \* 8/1999 Dodd ..... H02J 7/0042  
180/68.5
- 6,045,883 A \* 4/2000 Akiyama ..... C08L 23/10  
428/35.7
- D438,508 S \* 3/2001 Stanford ..... D13/103
- D449,578 S \* 10/2001 Rogers ..... D13/119
- D517,479 S \* 3/2006 Schemm ..... D13/103
- D517,988 S \* 3/2006 Ihde ..... D13/103
- 8,062,784 B2 \* 11/2011 Oriet ..... H01M 2/206  
429/158

(Continued)

*Primary Examiner* — Rosemary K Tarcza  
*Assistant Examiner* — Nathaniel D. Buckner  
(74) *Attorney, Agent, or Firm* — Quarles & Brady LLP

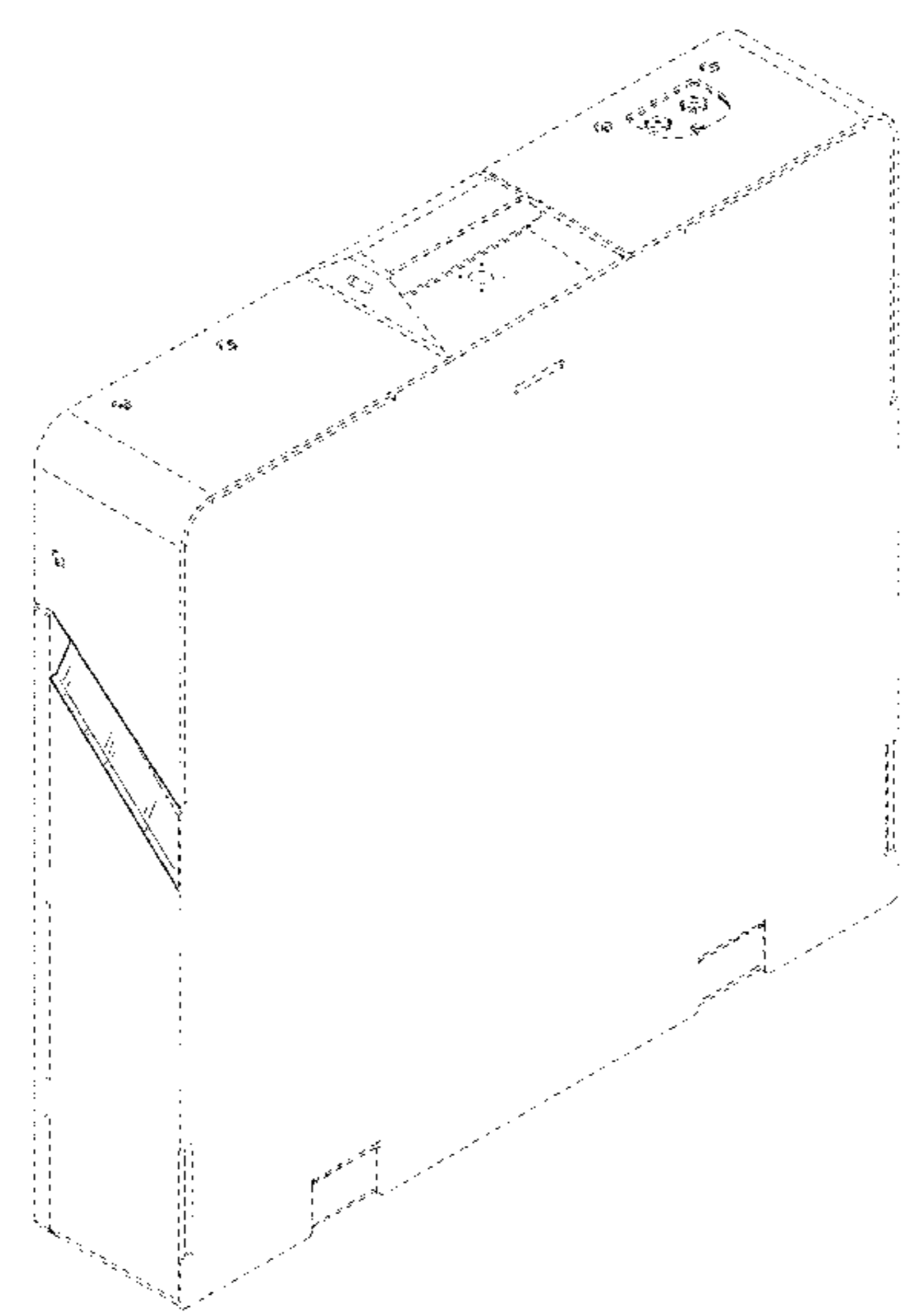
(57) **CLAIM**

The ornamental design for a battery enclosure, as shown and described.

**DESCRIPTION**

FIG. 1 is an isometric view of a top, left, and front side of an ornamental design for a battery enclosure;  
FIG. 2 is a front elevational view of the battery enclosure of FIG. 1;  
FIG. 3 is a rear elevational view of the battery enclosure of FIG. 1;  
FIG. 4 is a left side elevational view of the battery enclosure of FIG. 1;  
FIG. 5 is a top plan view of the battery enclosure of FIG. 1; and,  
FIG. 6 is a bottom plan view of the battery enclosure of FIG. 1.  
The dash-dash-dash broken lines are included for the purpose of illustrating portions of the battery enclosure that form no part of the claimed design. Further, the dash-dot-dash-dot broken lines define boundaries of the claimed design and form no part of the claimed design.

**1 Claim, 6 Drawing Sheets**



(56)

**References Cited**

U.S. PATENT DOCUMENTS

D686,157 S *	7/2013	Kawase .....	D13/119
D718,717 S *	12/2014	Commerford .....	D13/103
D720,696 S *	1/2015	Huang .....	D13/119
9,033,084 B2 *	5/2015	Joye .....	B60K 1/04 180/68.5
9,108,497 B2 *	8/2015	Harrison, III .....	B60K 1/04
D777,216 S *	1/2017	Allemeier .....	D15/28

\* cited by examiner

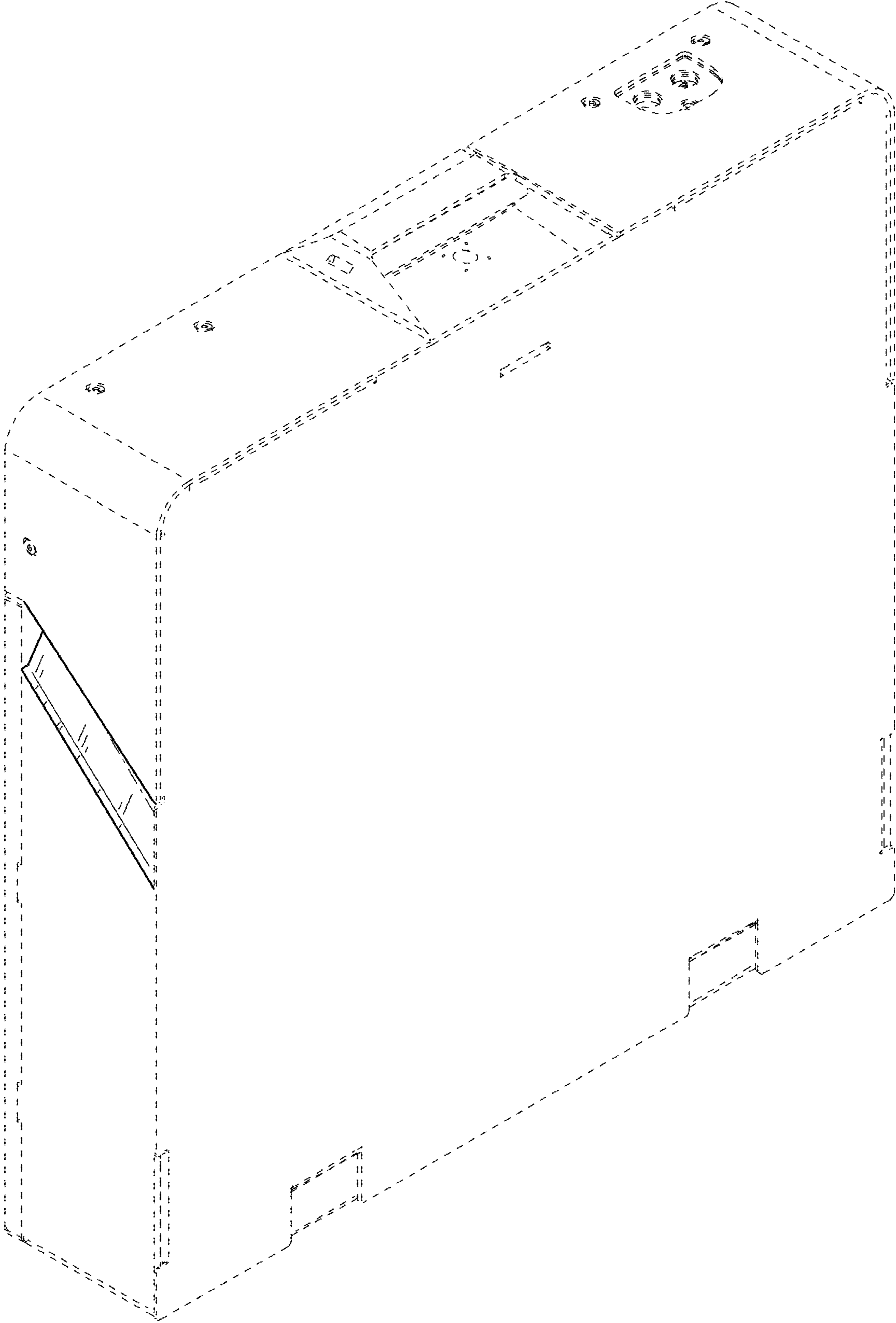


FIG. 1

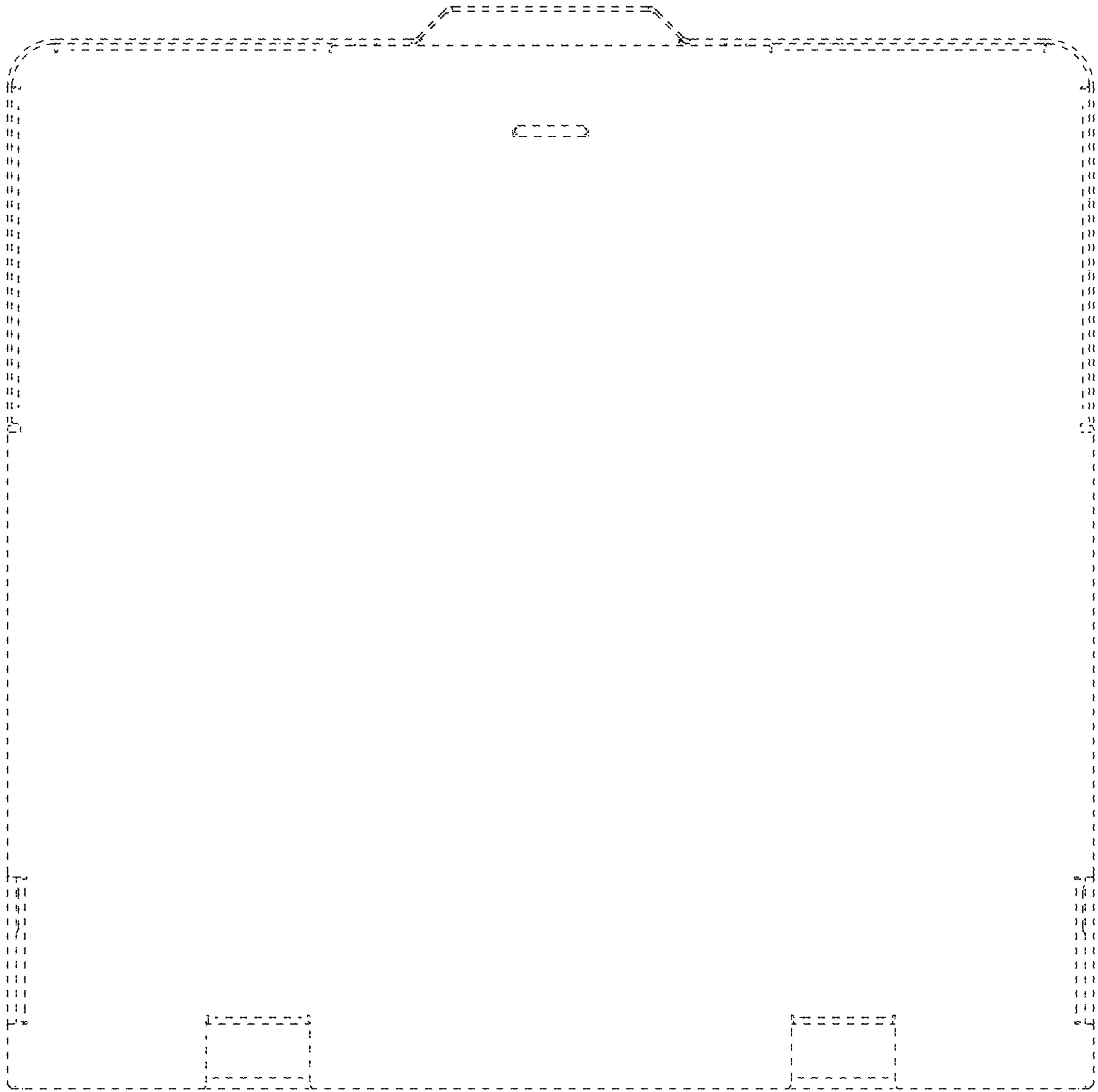


FIG. 2

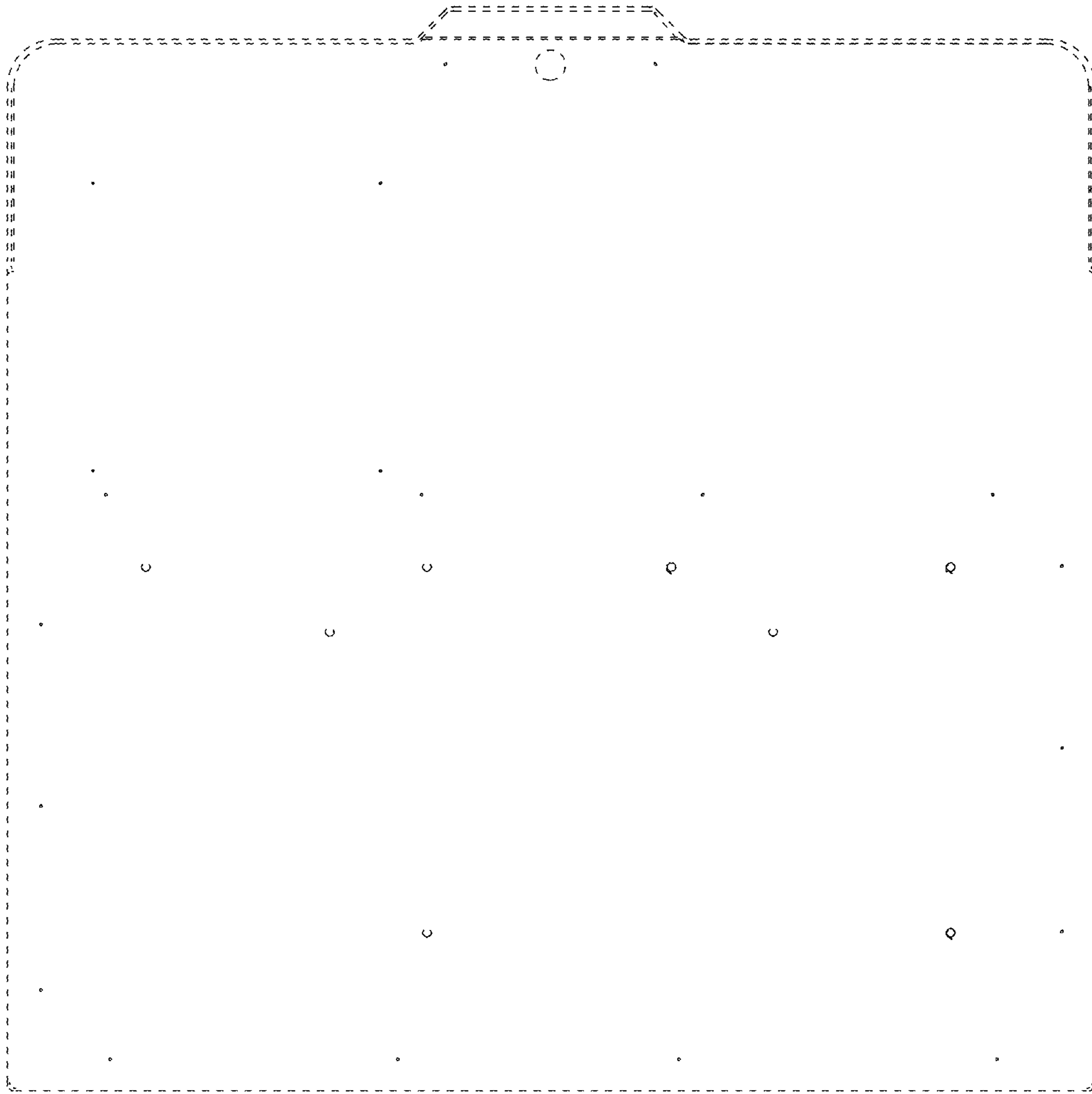


FIG. 3

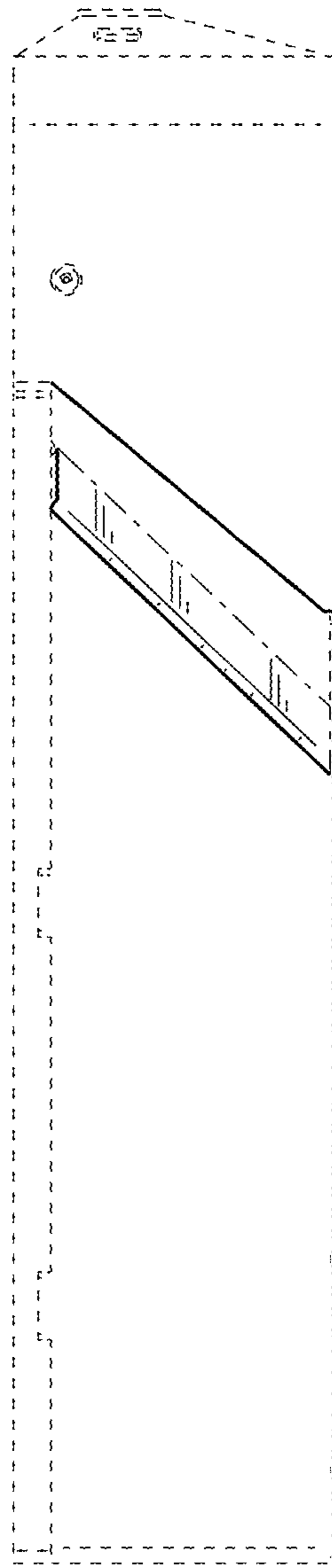


FIG. 4

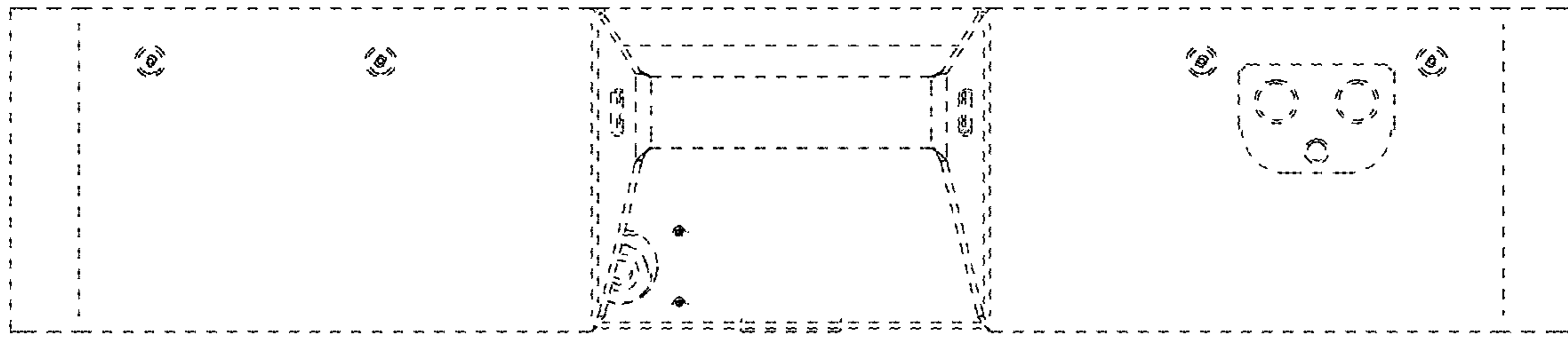


FIG. 5

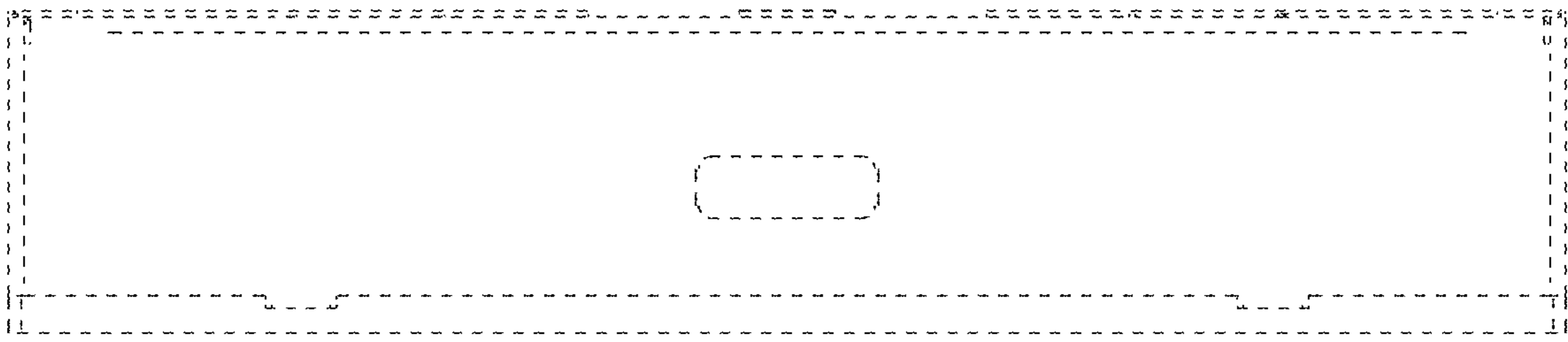


FIG. 6