

US00D874392S

(12) **United States Design Patent** (10) **Patent No.:** **US D874,392 S**
Kamikawa et al. (45) **Date of Patent:** **** Feb. 4, 2020**

(54) **SOLAR CELL FOR ARTIFICIAL SATELLITE**

(71) Applicant: **Mitsubishi Electric Corporation,**
Tokyo (JP)

(72) Inventors: **Yu Kamikawa,** Tokyo (JP); **Naoko Tomoda,** Tokyo (JP); **Mitsuru Okubo,** Tokyo (JP); **Yoshiyuki Kusano,** Tokyo (JP)

(73) Assignee: **Mitsubishi Electric Corporation,**
Tokyo (JP)

(**) Term: **15 Years**

(21) Appl. No.: **29/656,597**

(22) Filed: **Jul. 13, 2018**

(30) **Foreign Application Priority Data**

Mar. 30, 2018 (JP) 2018-007000
Mar. 30, 2018 (JP) 2018-007001
Mar. 30, 2018 (JP) 2018-007002

(51) **LOC (12) Cl.** **13-02**

(52) **U.S. Cl.**
USPC **D13/102**

(58) **Field of Classification Search**

USPC D13/101, 102, 110, 133, 182, 199
CPC Y02E 10/40; Y02E 10/44; Y02E 10/52;
Y02E 10/542; Y02E 10/544; E04H 4/08;
H01L 31/00; H01L 31/042; H01L 31/045;

(Continued)

(56) **References Cited**

U.S. PATENT DOCUMENTS

D484,177 S * 12/2003 Penke D18/40
D767,484 S * 9/2016 Morad D13/102

(Continued)

Primary Examiner — Susan Bennett Hattan

Assistant Examiner — Suzanne E Tisdell

(74) *Attorney, Agent, or Firm* — Studebaker & Brackett
PC

(57) **CLAIM**

The ornamental design for a solar cell for artificial satellite,
as shown and described.

DESCRIPTION

FIG. 1 is a front view of a solar cell for artificial satellite
showing the first embodiment our new design;

FIG. 2 is a rear view thereof;

FIG. 3 is a top view thereof;

FIG. 4 is a bottom view thereof;

FIG. 5 is a left side view thereof;

FIG. 6 is a partially enlarged view taken along line 6-6 of
FIG. 1;

FIG. 7 is an enlarged cross-sectional view taken along line
7-7 of FIG. 6;

FIG. 8 is a front view of a solar cell for artificial satellite
showing the second embodiment our new design;

FIG. 9 is a rear view thereof;

FIG. 10 is a top view thereof;

FIG. 11 is a bottom view thereof;

FIG. 12 is a left side view thereof;

FIG. 13 is a partially enlarged view taken along line 13-13
of FIG. 8;

FIG. 14 is an enlarged cross-sectional view taken along line
14-14 of FIG. 13;

FIG. 15 is a front view of a solar cell for artificial satellite
showing the third embodiment our new design;

FIG. 16 is a rear view thereof;

FIG. 17 is a top view thereof;

FIG. 18 is a bottom view thereof;

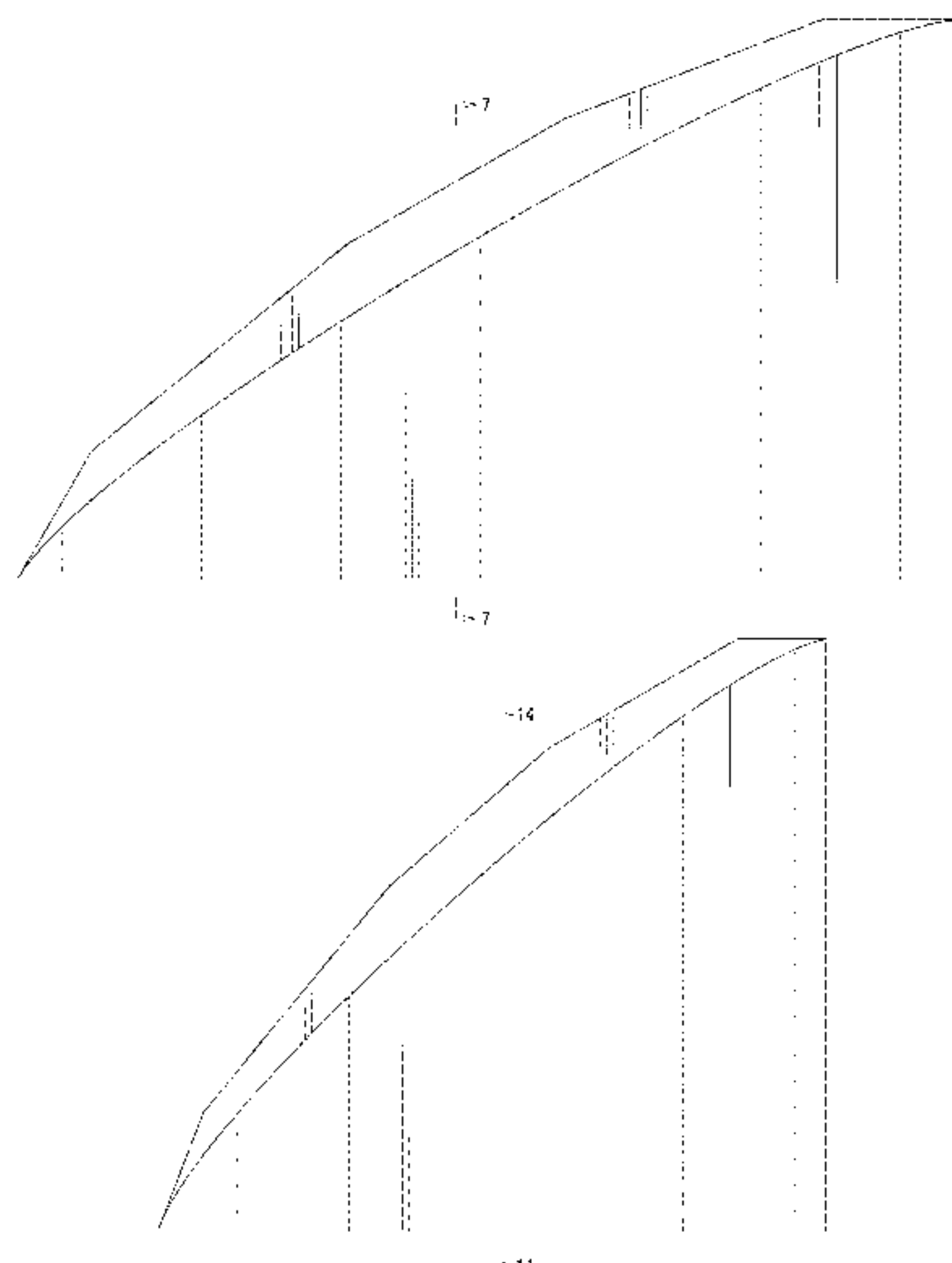
FIG. 19 is a left side view thereof;

FIG. 20 is a partially enlarged view taken along line 20-20
of FIG. 15; and,

FIG. 21 is an enlarged cross-sectional view taken along line
21-21 of FIG. 20.

The parts shown in the broken lines do not form part of the
claimed designs. The right side views are omitted because
they are symmetrical to the left side views.

1 Claim, 18 Drawing Sheets



(58) **Field of Classification Search**

CPC ... H01L 31/048; H01L 31/052; H01L 31/184;
H01L 31/0232; H01L 31/0508; H01L
31/0512; H01L 31/0543

See application file for complete search history.

(56) **References Cited**

U.S. PATENT DOCUMENTS

D840,924 S *	2/2019	Bonci	D13/102
2005/0133079 A1 *	6/2005	Boulanger	B64G 1/443
			136/244
2009/0025710 A1 *	1/2009	Hogan	F24S 80/30
			126/652
2014/0009104 A1 *	1/2014	Daloglu	H02S 30/10
			320/101
2016/0301354 A1 *	10/2016	Draffin, II	H02S 10/40
2018/0037341 A1 *	2/2018	Kalman	B64G 1/443
2018/0062011 A1 *	3/2018	Crist	H01L 31/042
2019/0144142 A1 *	5/2019	Spark	B64G 1/443

* cited by examiner

Fig. 1

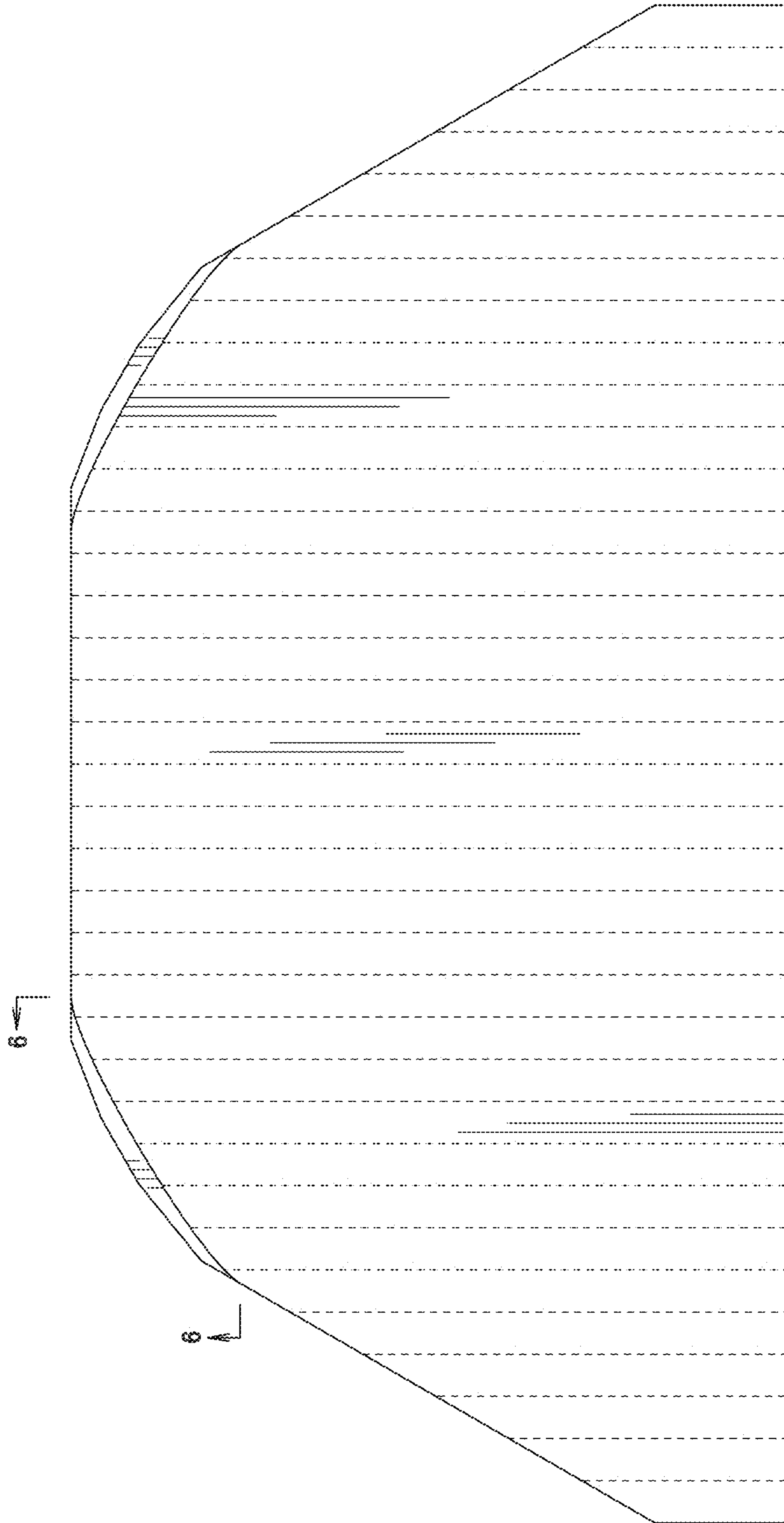


Fig. 2

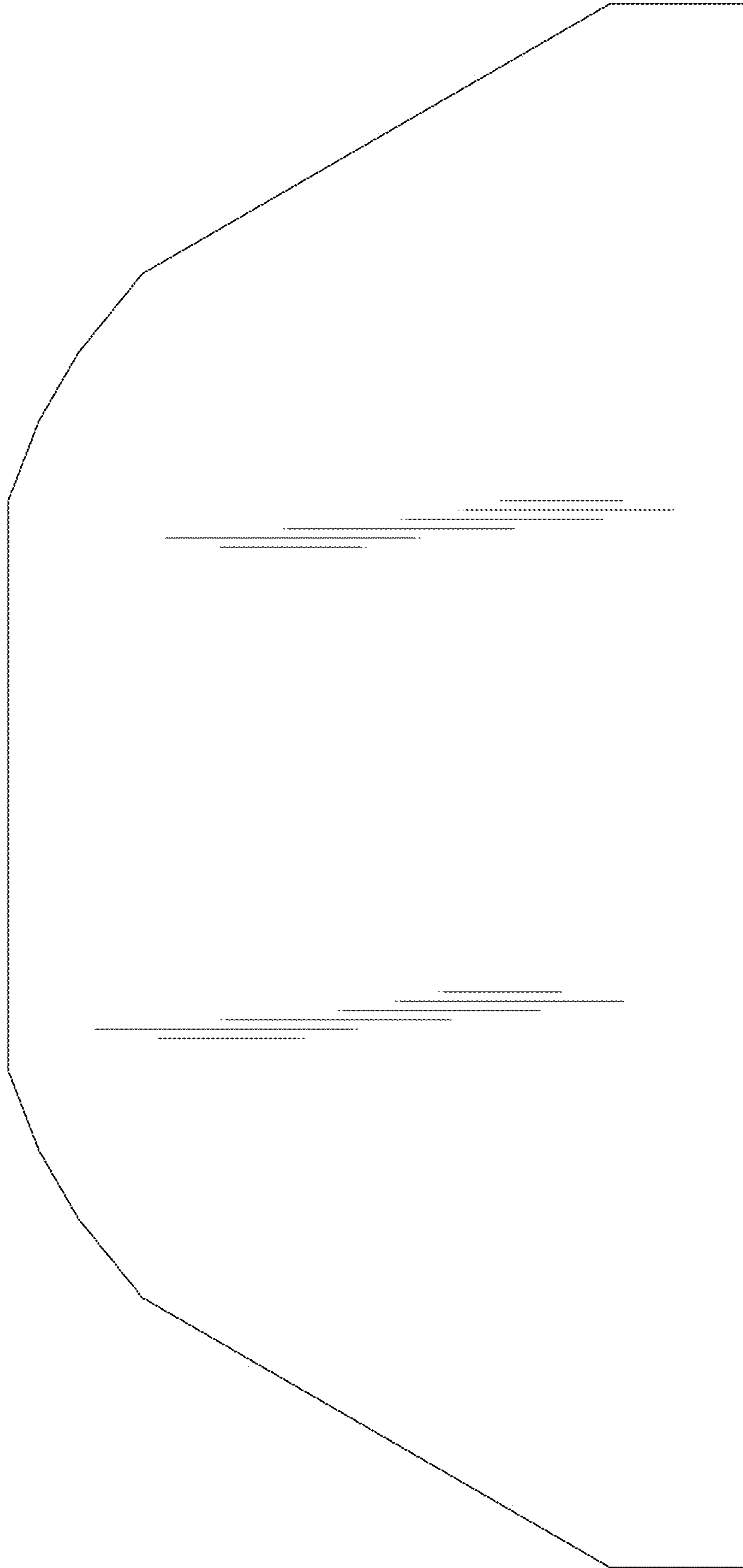


Fig. 3



Fig. 4

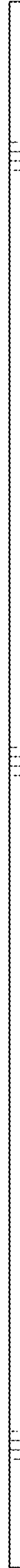


Fig. 5



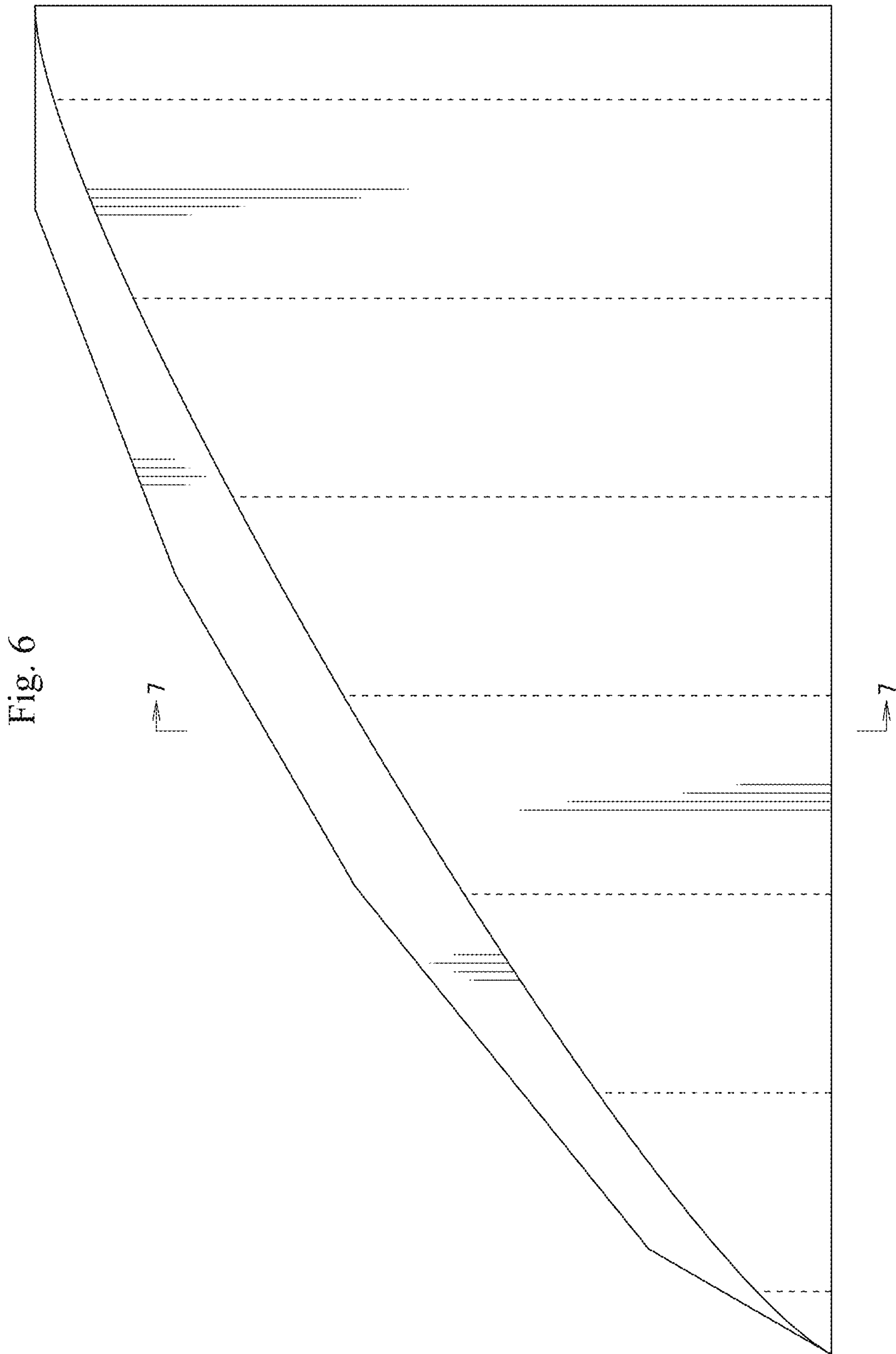


Fig. 7



Fig. 8

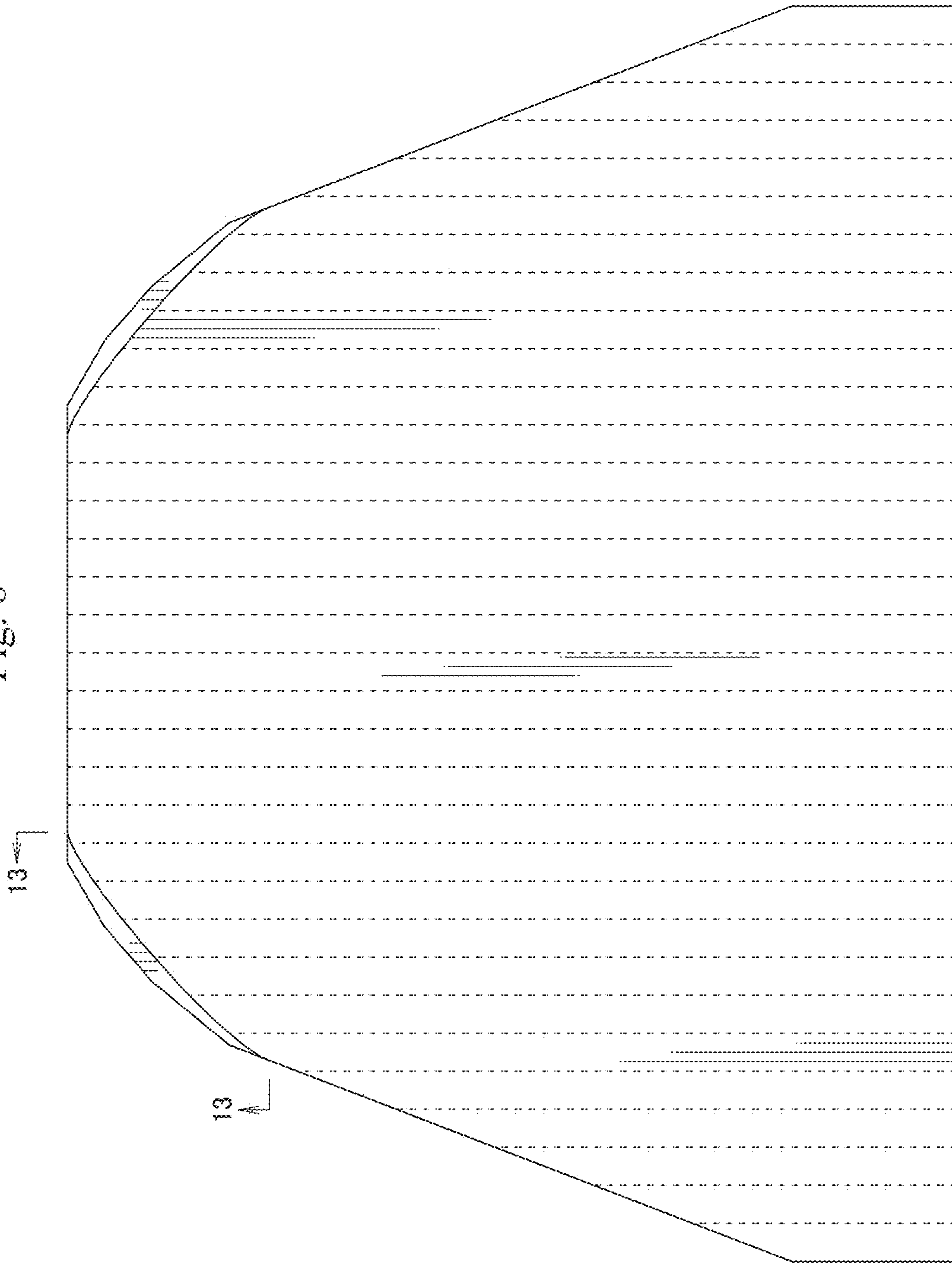


Fig. 9

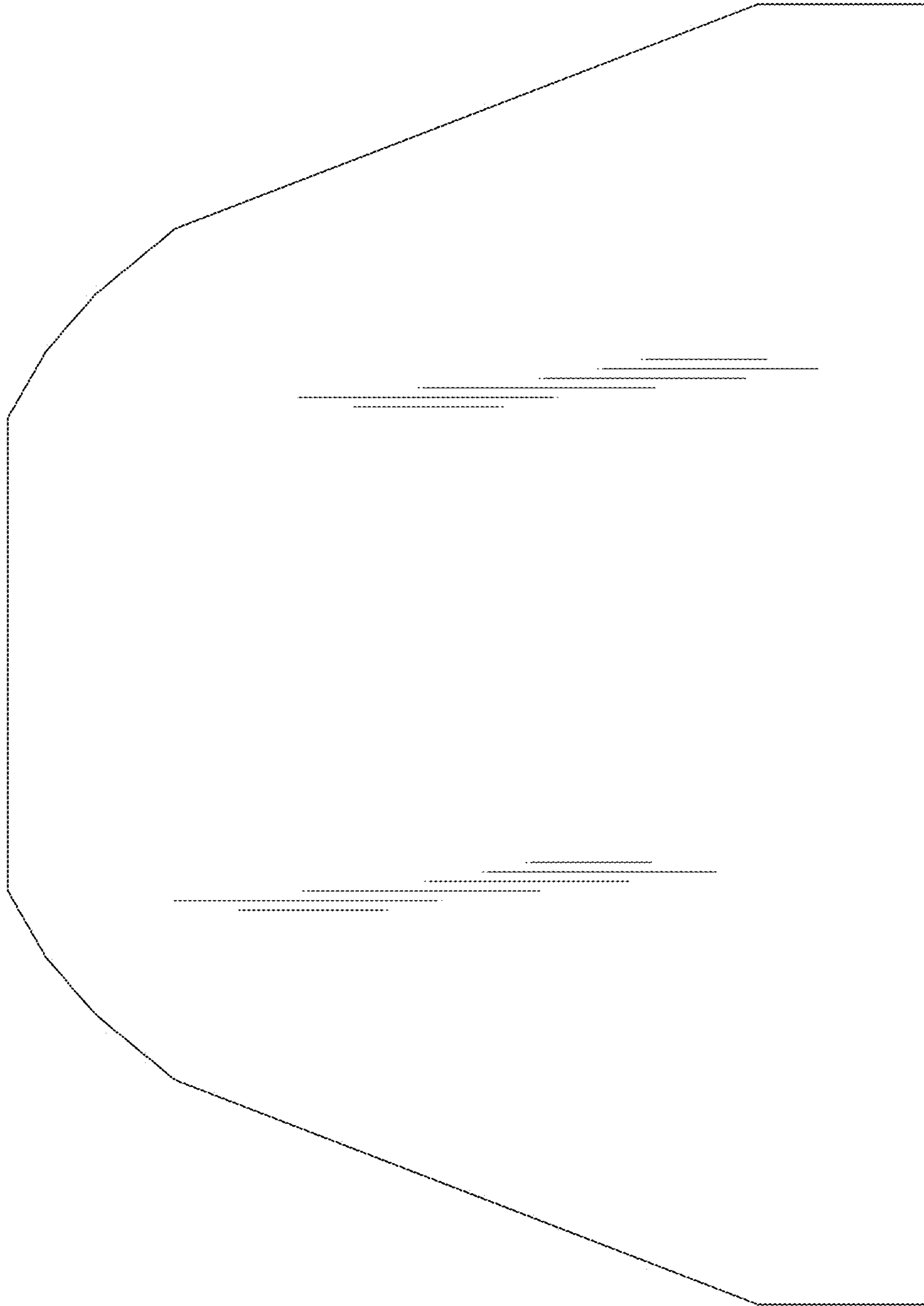


Fig. 10



Fig. 11



Fig. 12



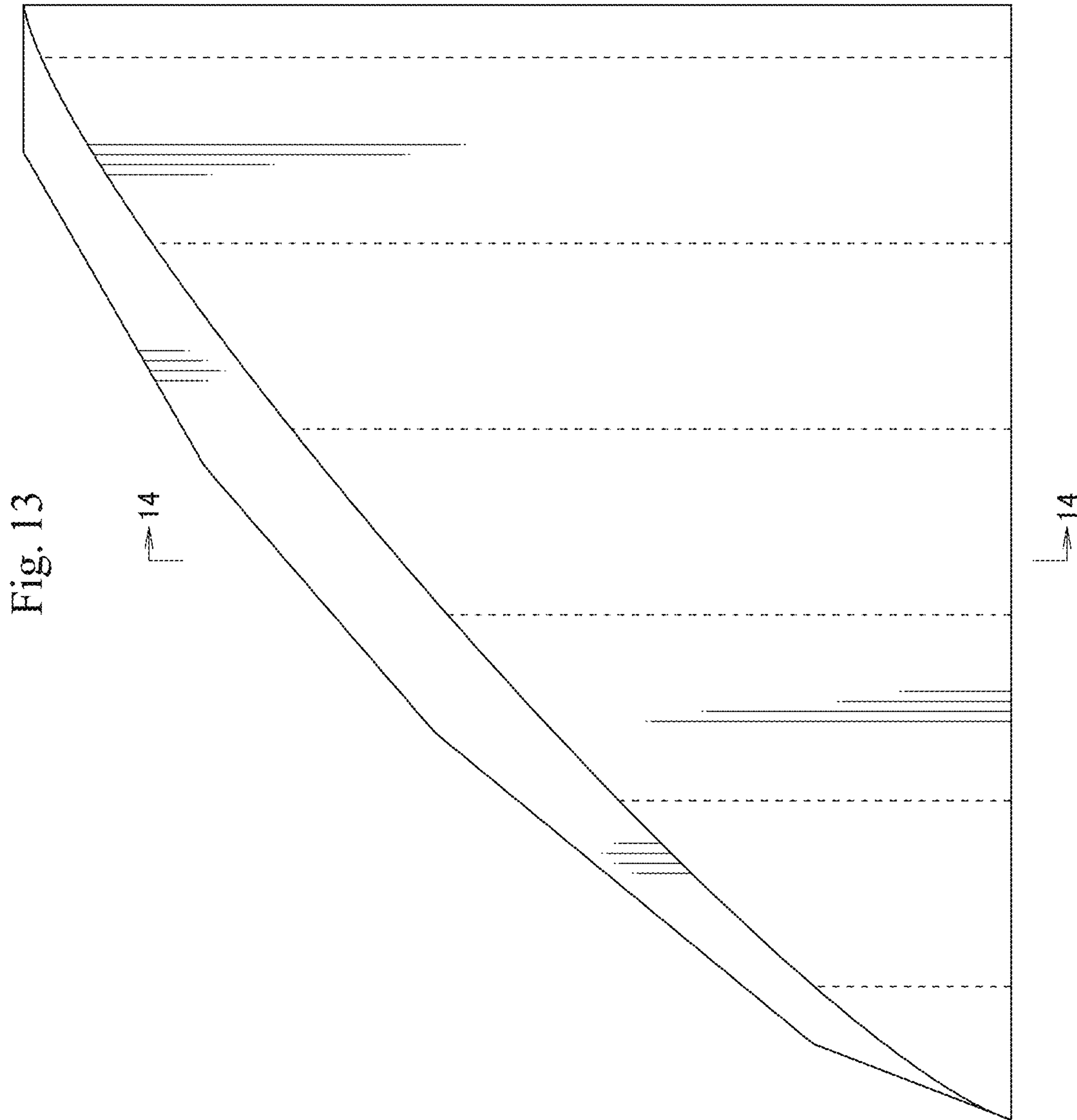


Fig. 13

Fig. 14



Fig. 15

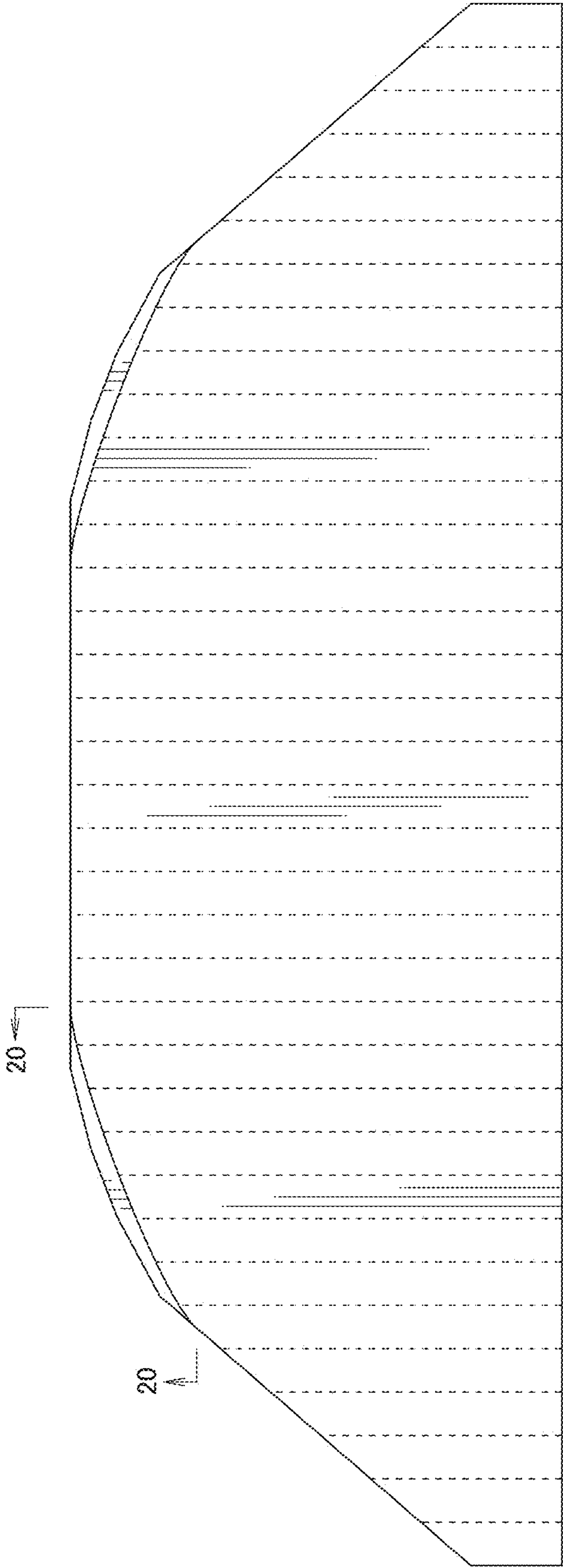


Fig. 16

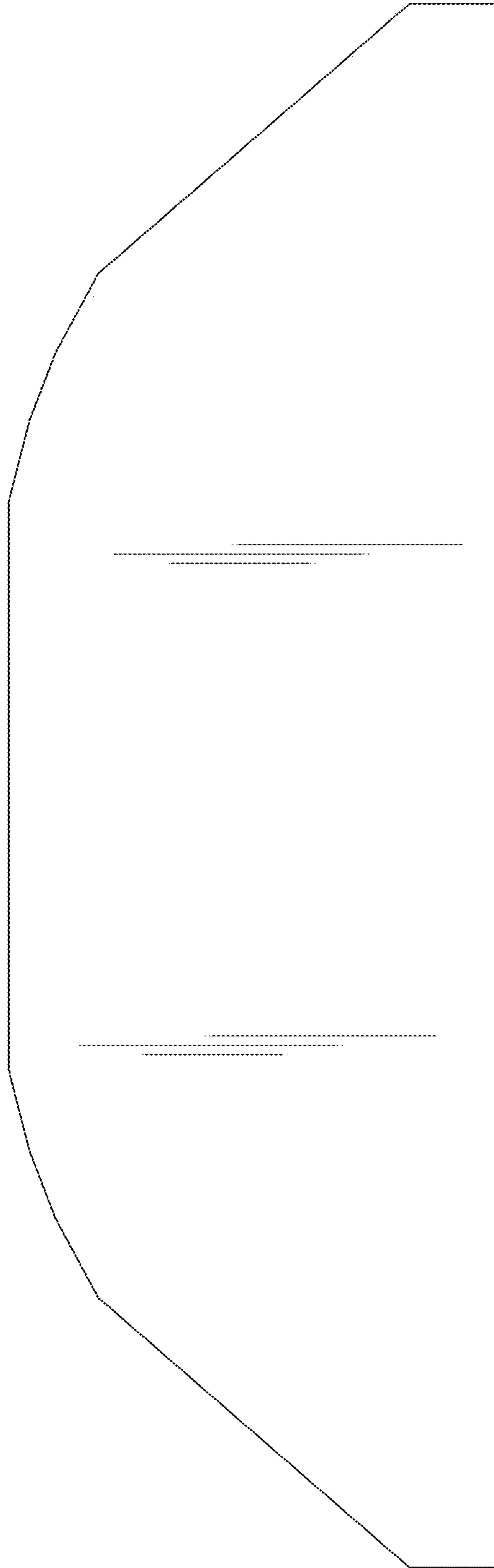


Fig. 17



Fig. 18

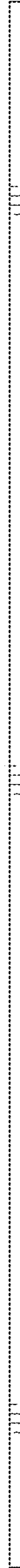


Fig. 19



Fig. 20

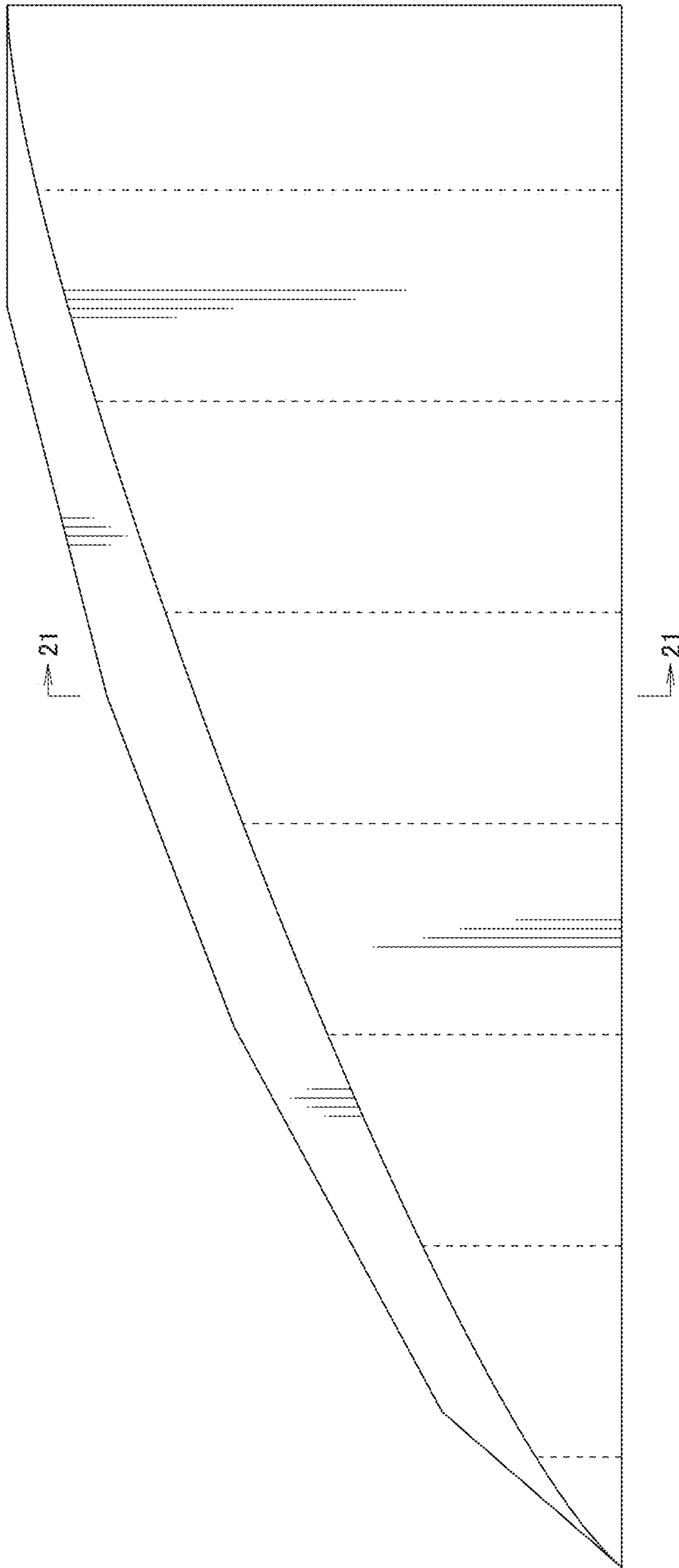


Fig. 21

