



US00D874387S

(12) **United States Design Patent** (10) **Patent No.:** **US D874,387 S**
Rovito (45) **Date of Patent:** **** Feb. 4, 2020**

(54) **AUTOMOTIVE WHEEL**

FOREIGN PATENT DOCUMENTS

(71) Applicant: **GUNIWHEEL, LLC**, Alpharetta, GA (US)

EP 553696 A2 4/1993
WO 2018071700 A1 4/2018

(72) Inventor: **Sergio Rovito**, Alpharetta, GA (US)

OTHER PUBLICATIONS

(73) Assignee: **GUNIWHEEL, LLC**, Alpharetta, GA (US)

Guniwheel Universal Vehical Mounting System reference [Jun. 13, 2019] found online [Jun. 13, 2019]—<https://www.guniwheel.com/>.*

(**) Term: **15 Years**

International Search Report for International Application No. PCT/US2019/036378, dated Sep. 23, 2019.

(21) Appl. No.: **29/657,435**

* cited by examiner

(22) Filed: **Jul. 23, 2018**

Primary Examiner — Lakiya G Rogers
Assistant Examiner — John A Voytek

(51) **LOC (12) Cl.** **12-15**

(74) *Attorney, Agent, or Firm* — Thomas I Horstemeyer, LLP

(52) **U.S. Cl.**
USPC **D12/501**

(58) **Field of Classification Search**
USPC D12/133, 209, 211, 500–532, 604;
D13/122; D8/375; D34/10, 37
CPC Y10T 152/10027; B60C 1/0016; B60C
11/0306; B60C 11/0302; B60C 3/06;
B60C 9/17

See application file for complete search history.

(57) **CLAIM**

The ornamental design for a automotive wheel, as shown and described.

DESCRIPTION

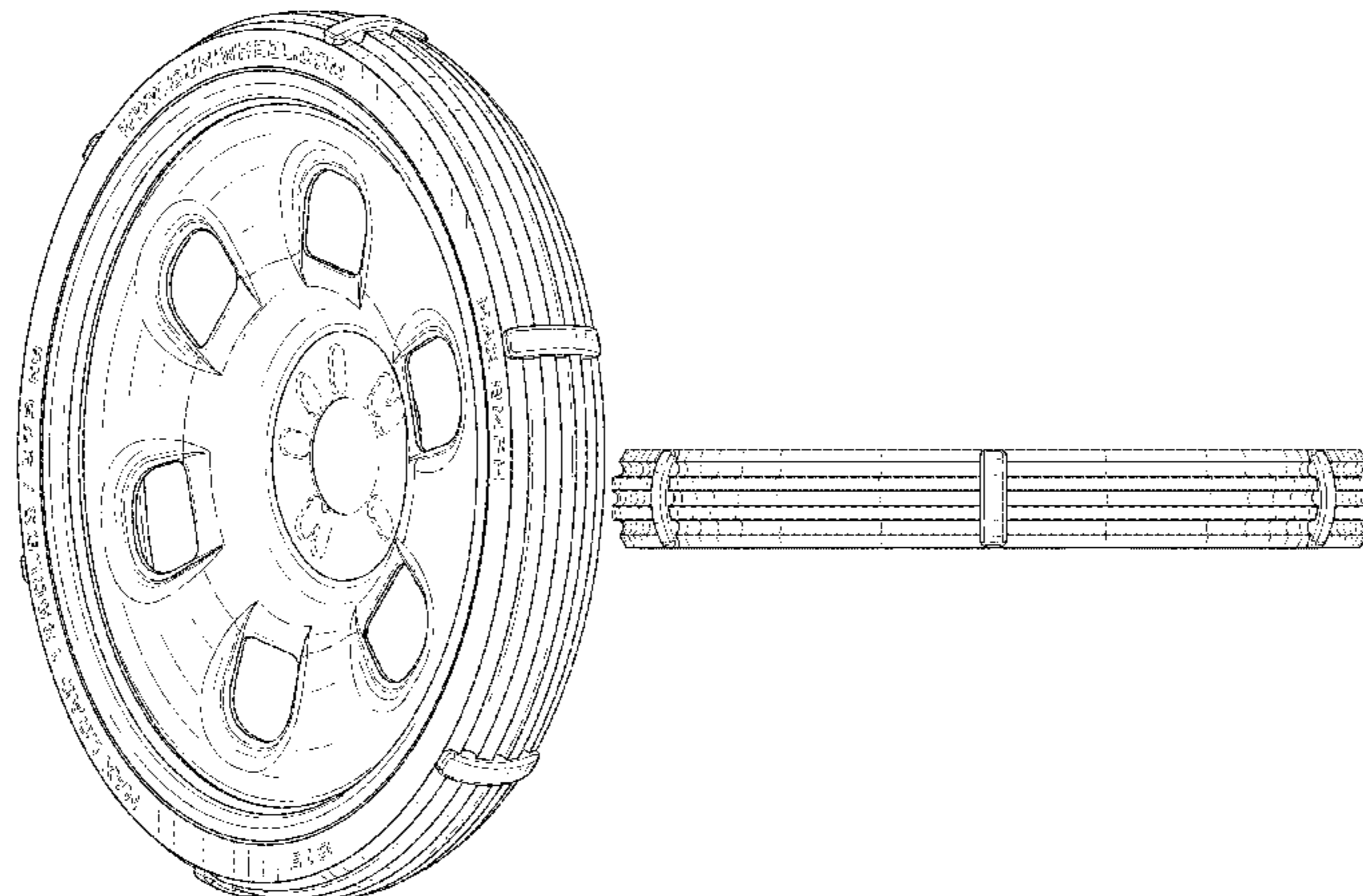
FIG. 1 is a front perspective view of an embodiment, of an automotive wheel; showing my new design;
FIG. 2 is a first side view thereof;
FIG. 3 is a second side view thereof;
FIG. 4 is a front elevation view thereof;
FIG. 5 is a second elevation view thereof;
FIG. 6 is a third elevation view thereof;
FIG. 7 is a fourth elevation view thereof;
FIG. 8 is an alternative front respective view thereof;
FIG. 9 is a first side view thereof;
FIG. 10 is a second side view thereof;
FIG. 11 is a front elevation view thereof;
FIG. 12 is a second elevation view thereof;
FIG. 13 is a third elevation view thereof; and,
FIG. 14 is a fourth elevation view thereof.

(Continued)

(56) **References Cited**

U.S. PATENT DOCUMENTS

2,590,363	A	3/1952	Adair	
D276,513	S *	11/1984	Honsa	D12/204
D328,048	S *	7/1992	Markling	D12/204
D328,053	S *	7/1992	Markling	D12/501
D389,101	S *	1/1998	Julien	D12/209
D470,452	S *	2/2003	Flood	D12/501
D486,762	S *	2/2004	He	D12/506
D603,783	S *	11/2009	Carlton	D12/501
D669,409	S *	10/2012	Arakelian	D12/211
8,863,354	B2 *	10/2014	Dayt	B60B 7/008 16/45
D823,734	S *	7/2018	Myrene	D12/133
2008/0231107	A1	9/2008	Ascough	
2012/0091785	A1	4/2012	Lara, Sr.	



The broken lines shown in FIGS. 1-14 are for the purpose of illustrating environment only and form no part of the claimed design.

1 Claim, 10 Drawing Sheets

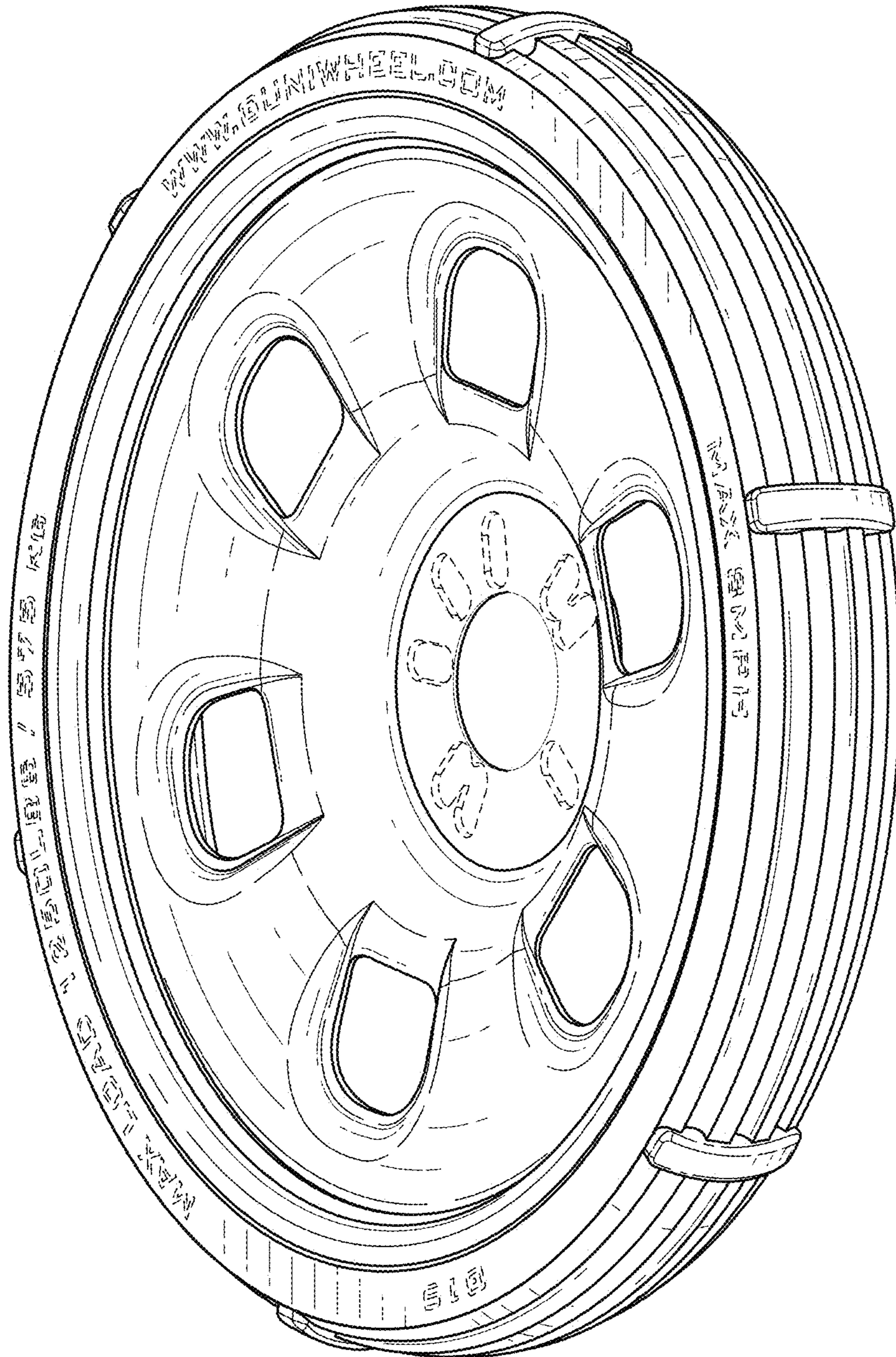


FIG. 1

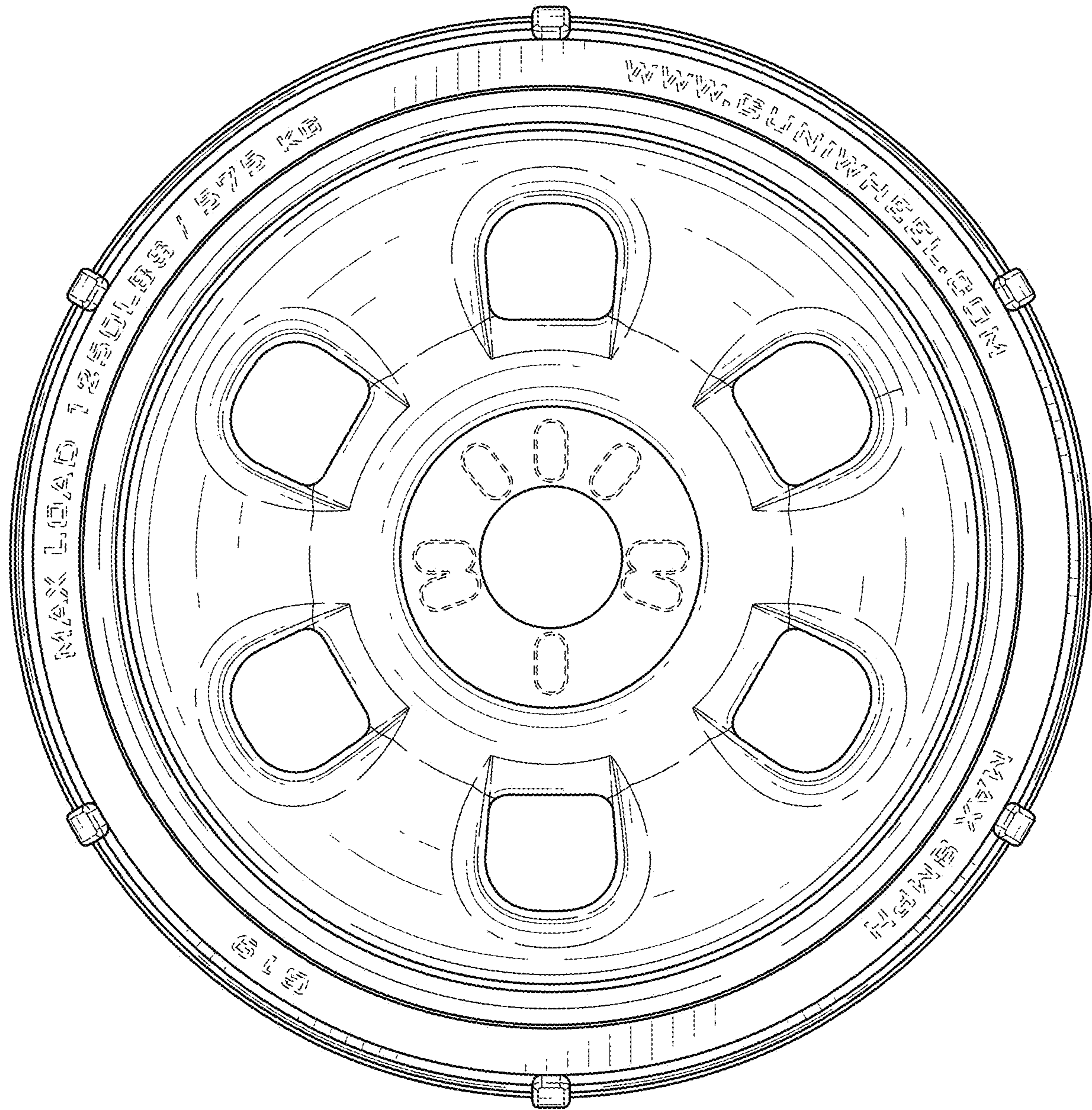


FIG. 2

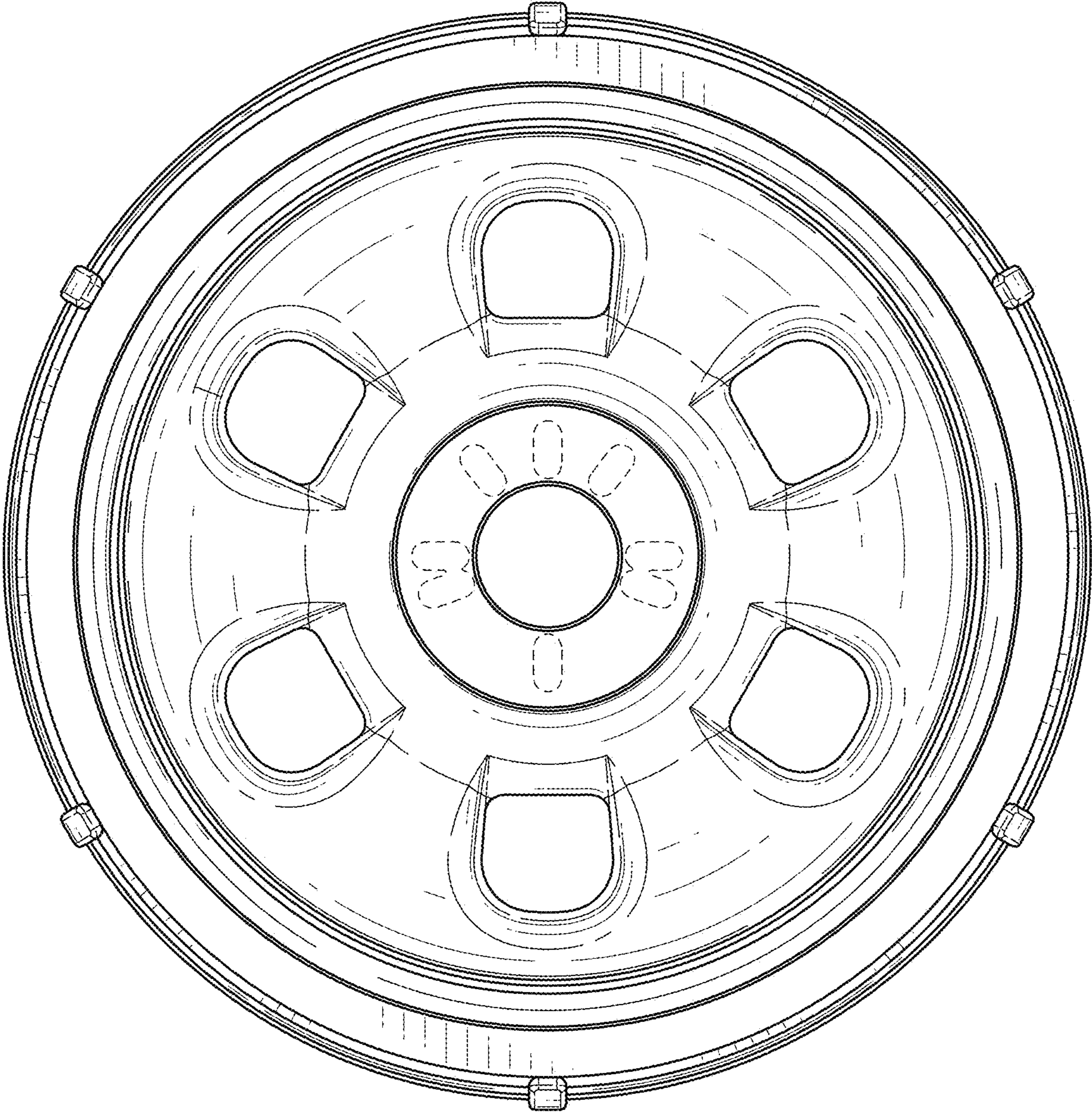


FIG. 3

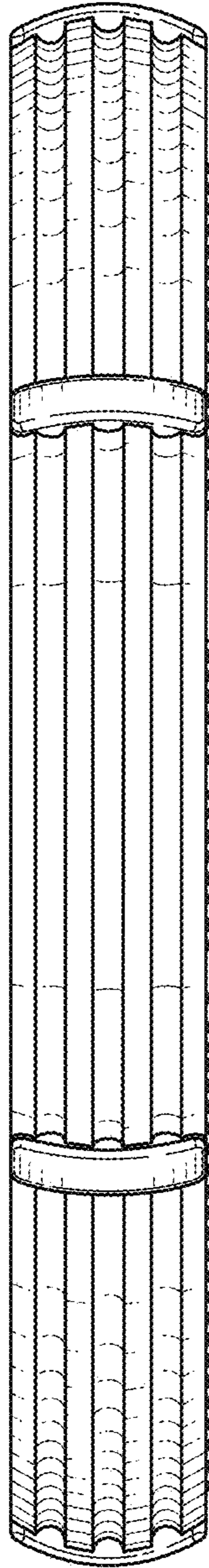


FIG. 4

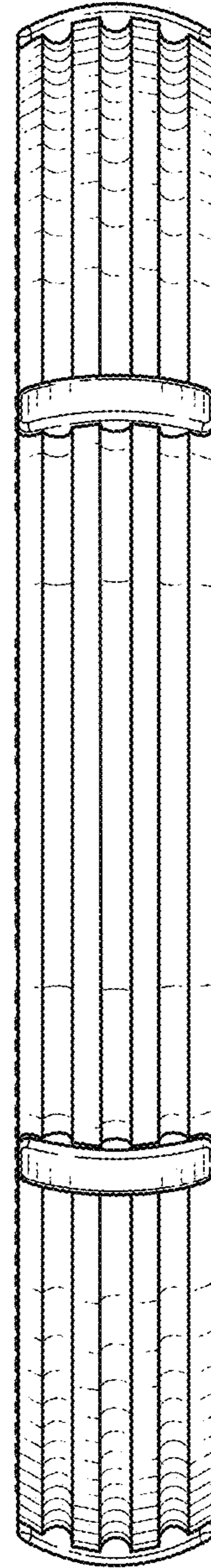


FIG. 5

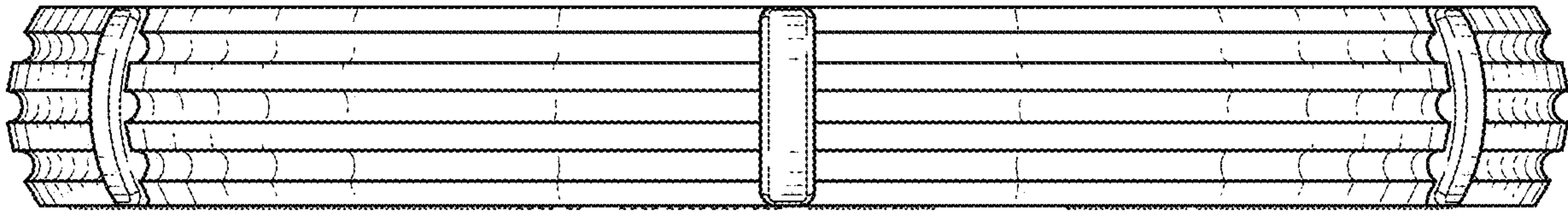


FIG. 6

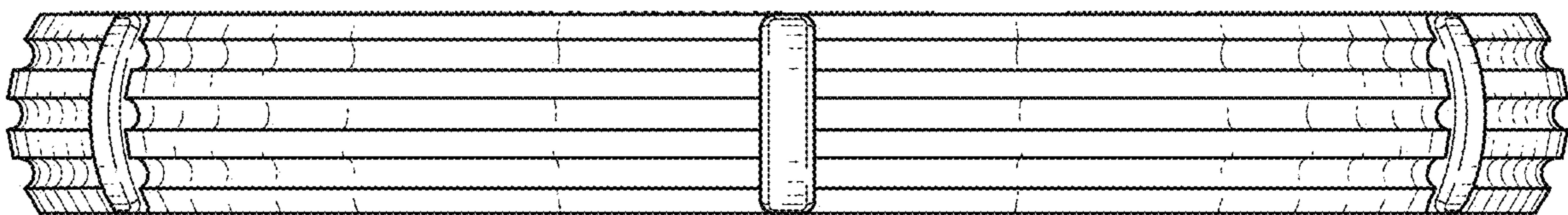


FIG. 7

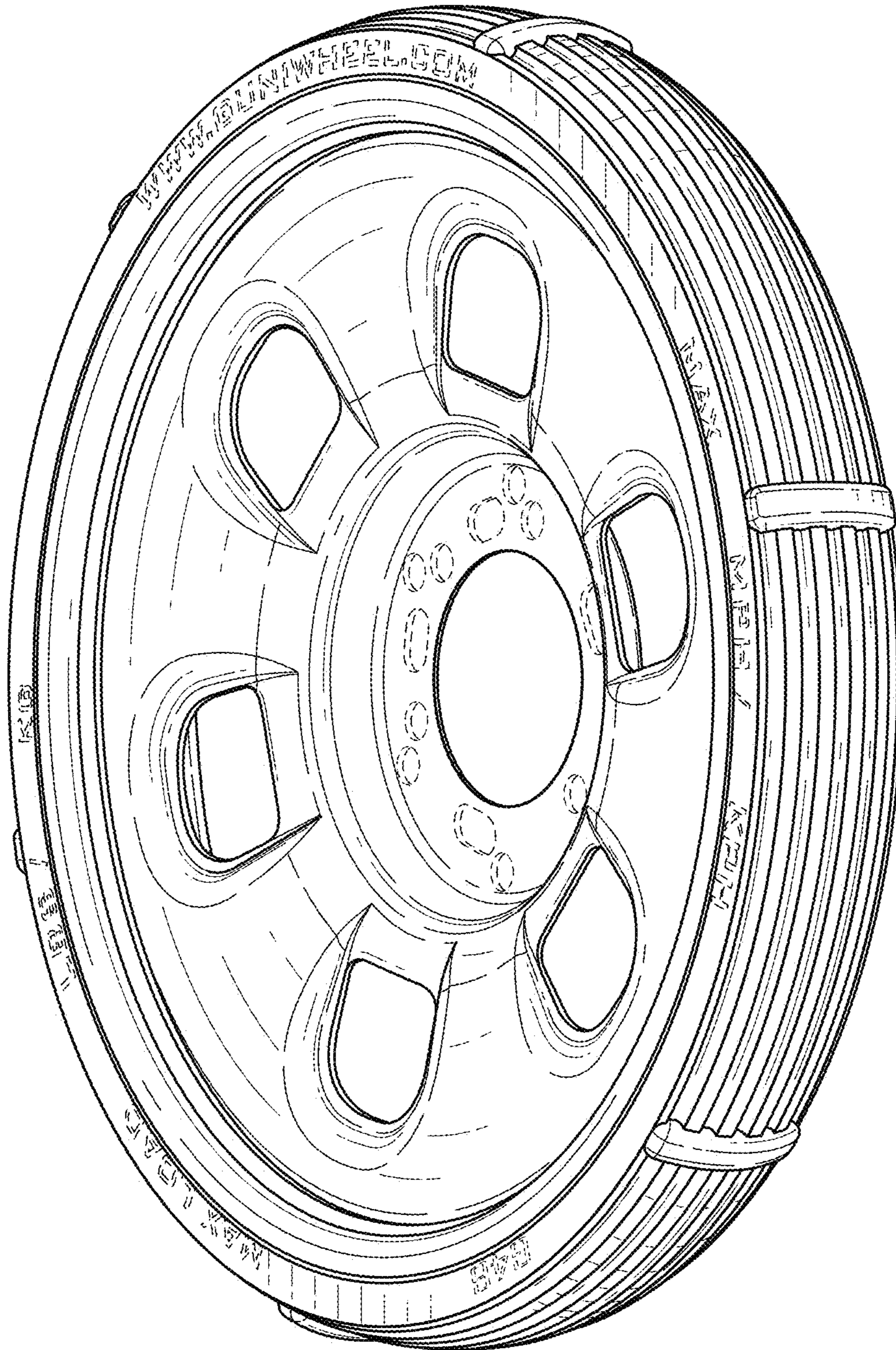


FIG. 8

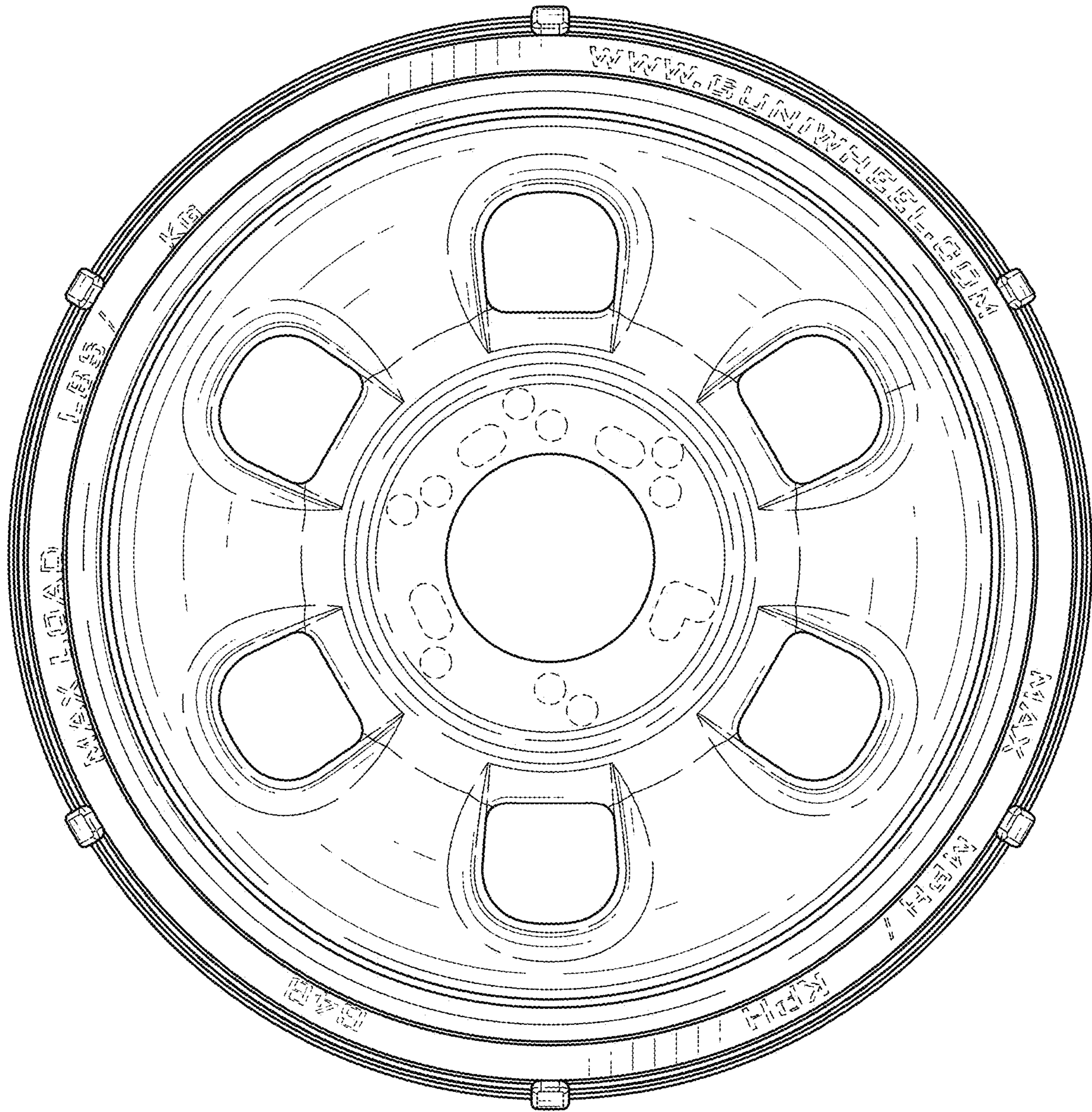


FIG. 9

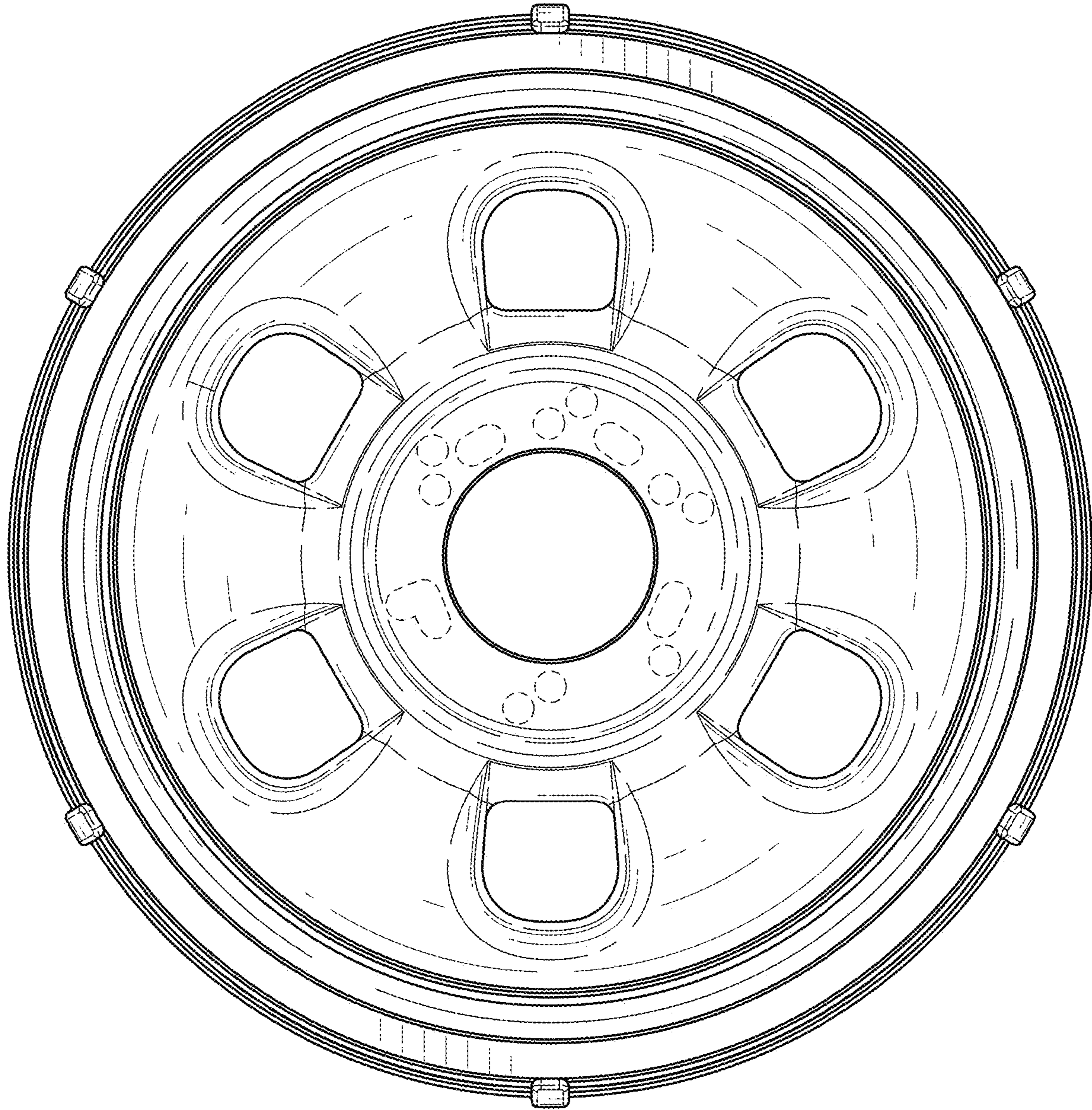


FIG. 10

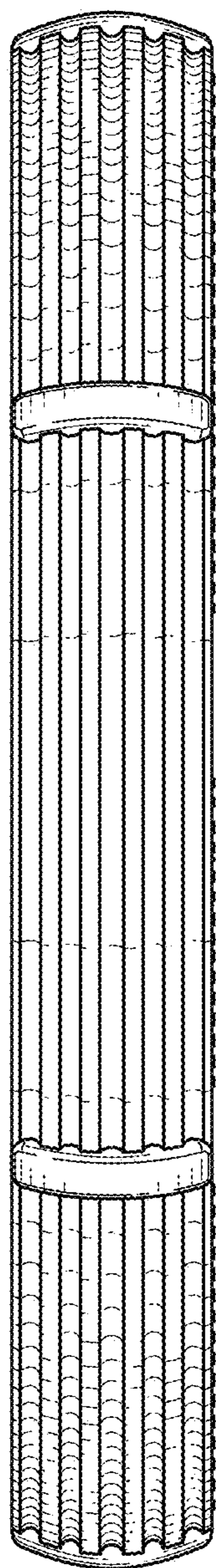


FIG. 11

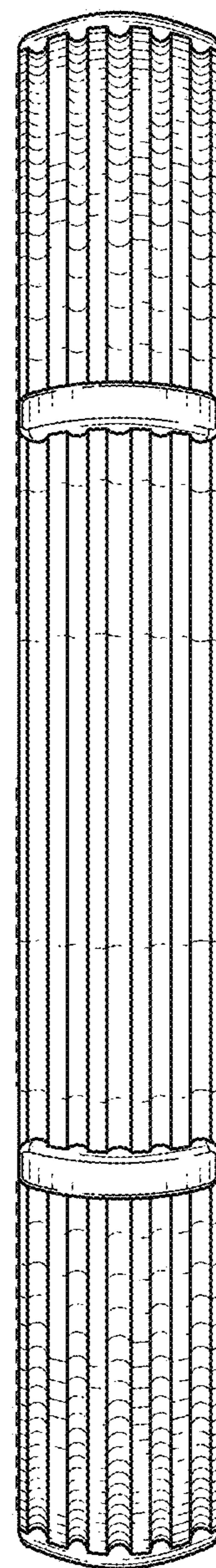


FIG. 12

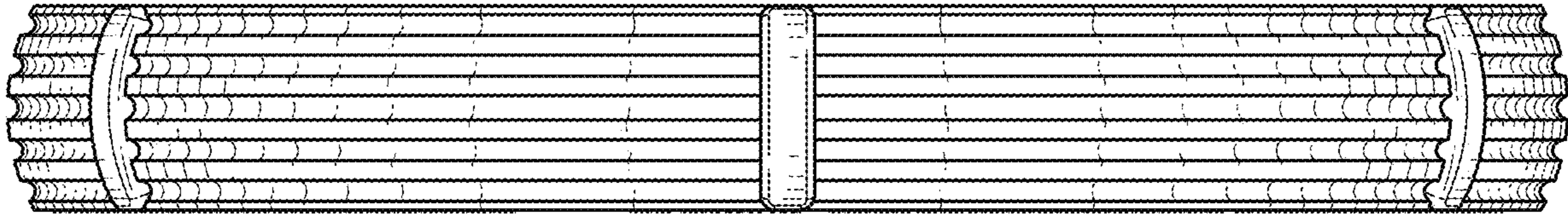


FIG. 13

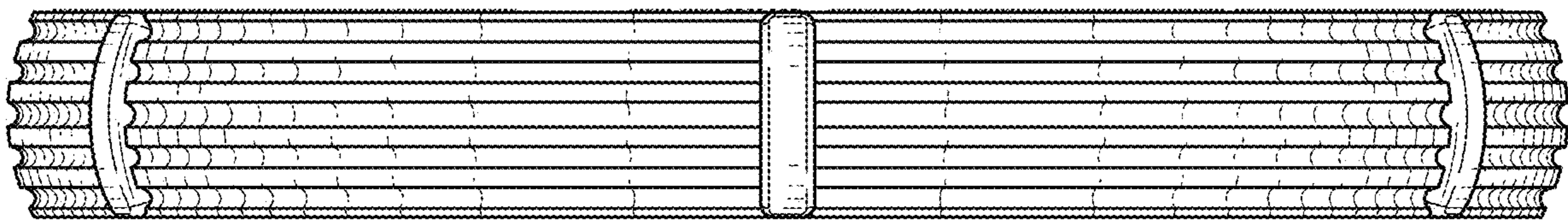


FIG. 14