



US00D874386S

(12) **United States Design Patent** (10) **Patent No.:** **US D874,386 S**
Smith et al. (45) **Date of Patent:** **** Feb. 4, 2020**

(54) **VEHICLE ARM REST TABLE**
(71) Applicants: **Curtis O. Smith**, Wichita, KS (US); **Jo Ann Smith**, Wichita, KS (US)
(72) Inventors: **Curtis O. Smith**, Wichita, KS (US); **Jo Ann Smith**, Wichita, KS (US)

D338,358 S 8/1993 Schroeder et al.
D341,249 S 11/1993 Scheurer
D342,170 S 12/1993 Palmer
D356,468 S 3/1995 Beck et al.
D359,862 S 7/1995 Rousch
D360,183 S 7/1995 Girandola
5,588,697 A * 12/1996 Yoshida A47B 13/16
108/160
D380,727 S * 7/1997 Gilstrap D12/417
D385,126 S * 10/1997 Howland D6/406.6
(Continued)

(**) Term: **15 Years**
(21) Appl. No.: **29/662,697**

(22) Filed: **Sep. 7, 2018**
(51) **LOC (12) Cl.** **12-16**
(52) **U.S. Cl.**
USPC **D12/421**
(58) **Field of Classification Search**
USPC D12/406, 412-419, 421-426; D6/512,
D6/685-686, 691, 704, 707.19, 406.1,
D6/406.2, 406.3, 406.4, 406.5, 406.6;
D7/545, 550, 550.1, 552.2, 554.3;
D19/92; 108/43, 44, 25; 224/400
CPC A47G 23/06; A47G 23/08; A47G 23/0608;
A47B 19/08; A47B 23/00; A47B 23/001
See application file for complete search history.

(56) **References Cited**

U.S. PATENT DOCUMENTS

D257,296 S 10/1980 White
D257,914 S 1/1981 Wooters
D260,832 S 9/1981 Verdesca et al.
D271,541 S 11/1983 Rockwell
D281,555 S * 12/1985 Levy D6/406.6
D293,163 S 12/1987 Roth
4,795,210 A * 1/1989 Milat B60N 3/002
108/43
4,852,499 A * 8/1989 Ozols A47B 23/04
108/44
D303,454 S * 9/1989 Morales D12/420
D317,982 S 7/1991 Morales
D319,358 S * 8/1991 Giugiaro D6/406.1
D336,579 S 6/1993 Keller et al.

OTHER PUBLICATIONS

Car Multi Tray Cup, AutoFurnish.com, [online], [site visited Aug. 21, 2019]. <URL: https://www.autofurnish.com/car-multi-tray-cup-cum-food-holder-stand-table-for-travel> (Year: 2019).*

(Continued)

Primary Examiner — T Chase Nelson
Assistant Examiner — Jonathan J. Han
(74) *Attorney, Agent, or Firm* — Dunlap Bennett & Ludwig PLLC

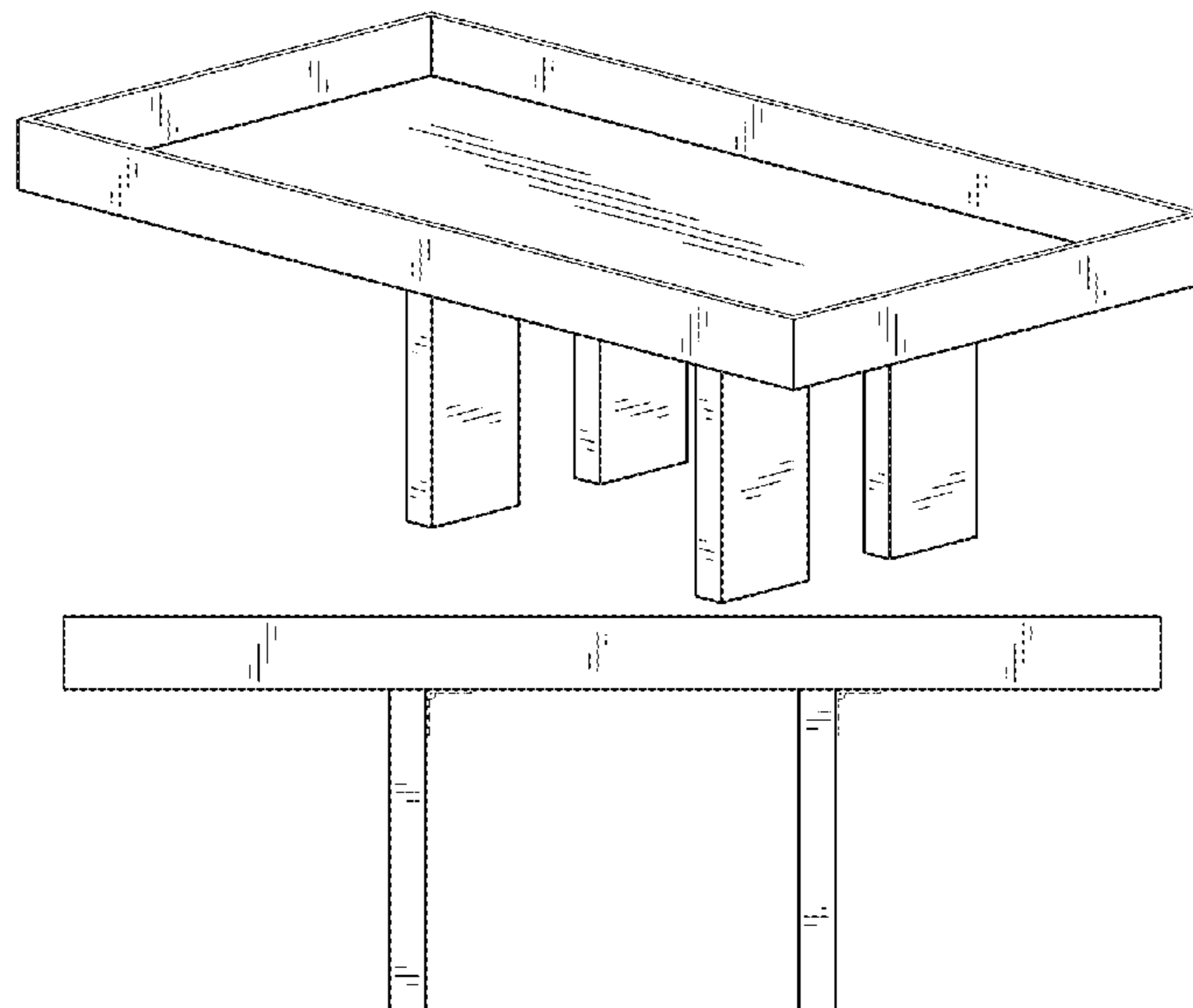
(57) **CLAIM**

The ornamental design for a vehicle arm rest table, as shown and described.

DESCRIPTION

FIG. 1 is a front top perspective view of a vehicle arm rest table;
FIG. 2 is a front elevation view thereof, the rear elevation view being a mirrored image thereof;
FIG. 3 is a left side elevation view thereof;
FIG. 4 is a right side elevation view thereof;
FIG. 5 is a top plan view thereof; and,
FIG. 6 is a bottom plan view thereof.
The broken lines shown in the drawings depict hinges that form no part of the claimed invention.

1 Claim, 3 Drawing Sheets



(56)

References Cited

U.S. PATENT DOCUMENTS

D390,718 S * 2/1998 Howland D6/406.6
 D393,242 S 4/1998 Wood
 D401,214 S 11/1998 Benavidez et al.
 D415,995 S 11/1999 Kanehl, Jr.
 D427,139 S * 6/2000 Noval D12/419
 D437,273 S 2/2001 Chen
 D471,856 S 3/2003 Chiang
 D473,840 S 4/2003 Sauer
 D481,350 S * 10/2003 McCoy D12/400
 D517,833 S * 3/2006 Jennings D6/406.5
 D526,810 S * 8/2006 Lorr D6/406.5
 D563,114 S * 3/2008 Pegg D6/406.1
 D573,940 S 7/2008 Heneghan et al.
 7,398,737 B1 * 7/2008 Martellaro B60N 3/001
 108/143
 D577,223 S 9/2008 Durmon, Jr.
 D583,163 S * 12/2008 Jennings D6/406.6
 D591,560 S 5/2009 Lackey et al.
 D608,150 S * 1/2010 Lilly D7/552.1
 D608,151 S * 1/2010 Lentz D7/552.1
 D617,726 S 6/2010 Portillo et al.
 D619,822 S * 7/2010 Damgaard-Sorensen
 D6/406.1
 D625,934 S * 10/2010 Smith D6/406.2
 D638,636 S * 5/2011 Chauss D6/406.3
 D697,770 S * 1/2014 Khuu D7/698
 D720,152 S * 12/2014 Chauss D6/406.3
 D723,830 S 3/2015 Tcholakov et al.
 D725,013 S 3/2015 Salinas

D754,988 S * 5/2016 Fountain, Jr. D6/406.3
 D766,610 S * 9/2016 Johnson D6/406.1
 D781,062 S * 3/2017 Probst D6/406.5
 D785,361 S * 5/2017 Salisbury D6/406.5
 D789,127 S * 6/2017 Bang D6/707.22
 D799,851 S * 10/2017 Waxman D6/406.6
 D802,525 S * 11/2017 Mohr D8/71
 D805,973 S 12/2017 Mullaney
 D811,141 S * 2/2018 Bang D6/707.22
 D835,920 S * 12/2018 Sullins D6/406.3
 D840,708 S * 2/2019 Melaragno D6/406.5
 D848,757 S * 5/2019 Kelly D6/406.3

OTHER PUBLICATIONS

Car Food Beverage Drink Cup Stand Mount Holder, Solidrop.net, [online], [site visited Aug. 21, 2019]. <URL: <https://www.solidrop.net/product/car-food-beverage-drink-cup-stand-mount-holder-tray-clip-table-foldable-round-car-drinking-bottle-holder-me3l.html>> (Year: 2019).*

G.E.T. Enterprises Brown 17"×14" Fast Food Tray/w Holders, Amazon.com, [online], [site visited Aug. 21, 2019]. <URL: https://www.amazon.com/Enterprises-Dishwasher-Polypropylene-Collection-FT-20BR/dp/B002UFU51C/ref=asc_df_B002UFU51C/?tag=hyprod-20&linkCode=df0&hvadid=344024192783&hvpos=1o2&hvnetw> (Year: 2019).*

Acacia Bed Tray 23×15×8in—Threshold, Target.com, [online], [site visited Aug. 21, 2019]. <URL: <https://www.target.com/p/acacia-bed-tray-23x15x8in-threshold-153/-/A-14611165>> (Year: 2019).*

* cited by examiner

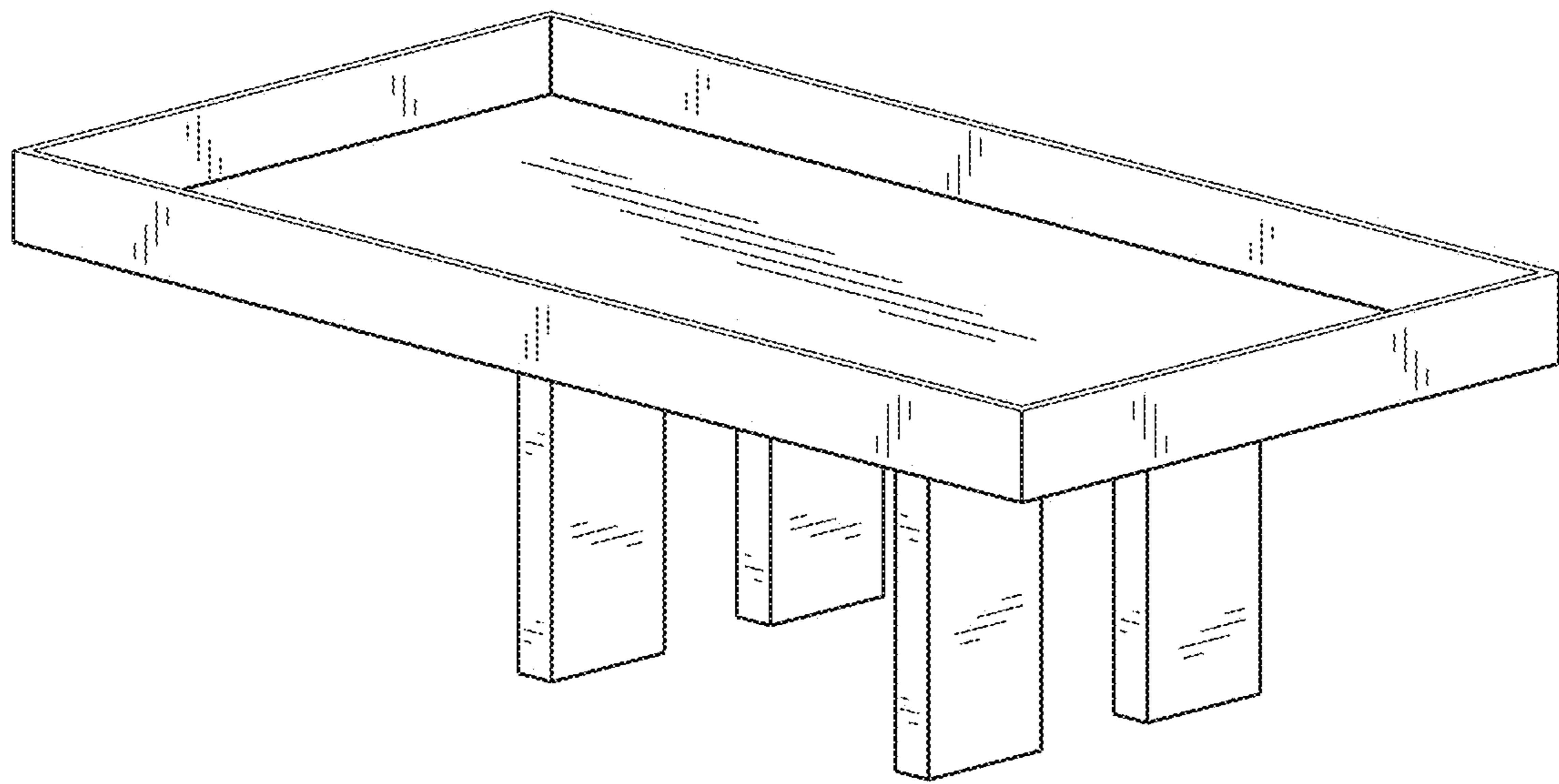


FIG. 1

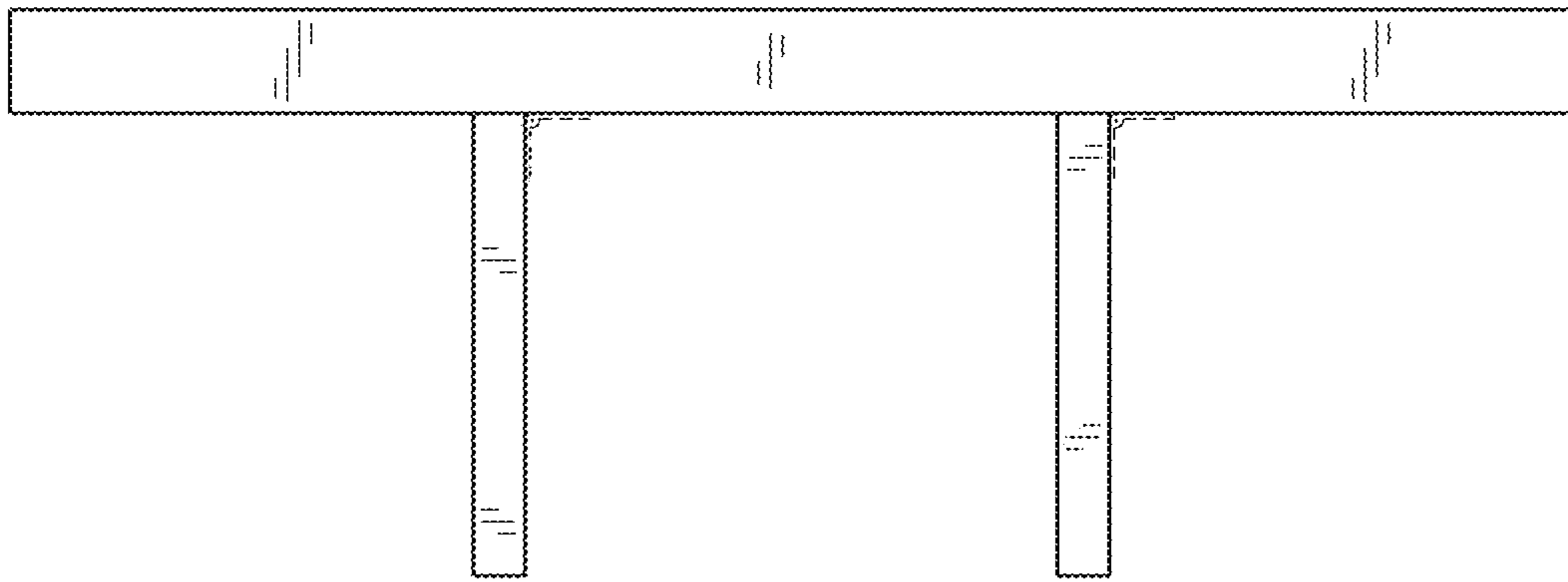


FIG. 2

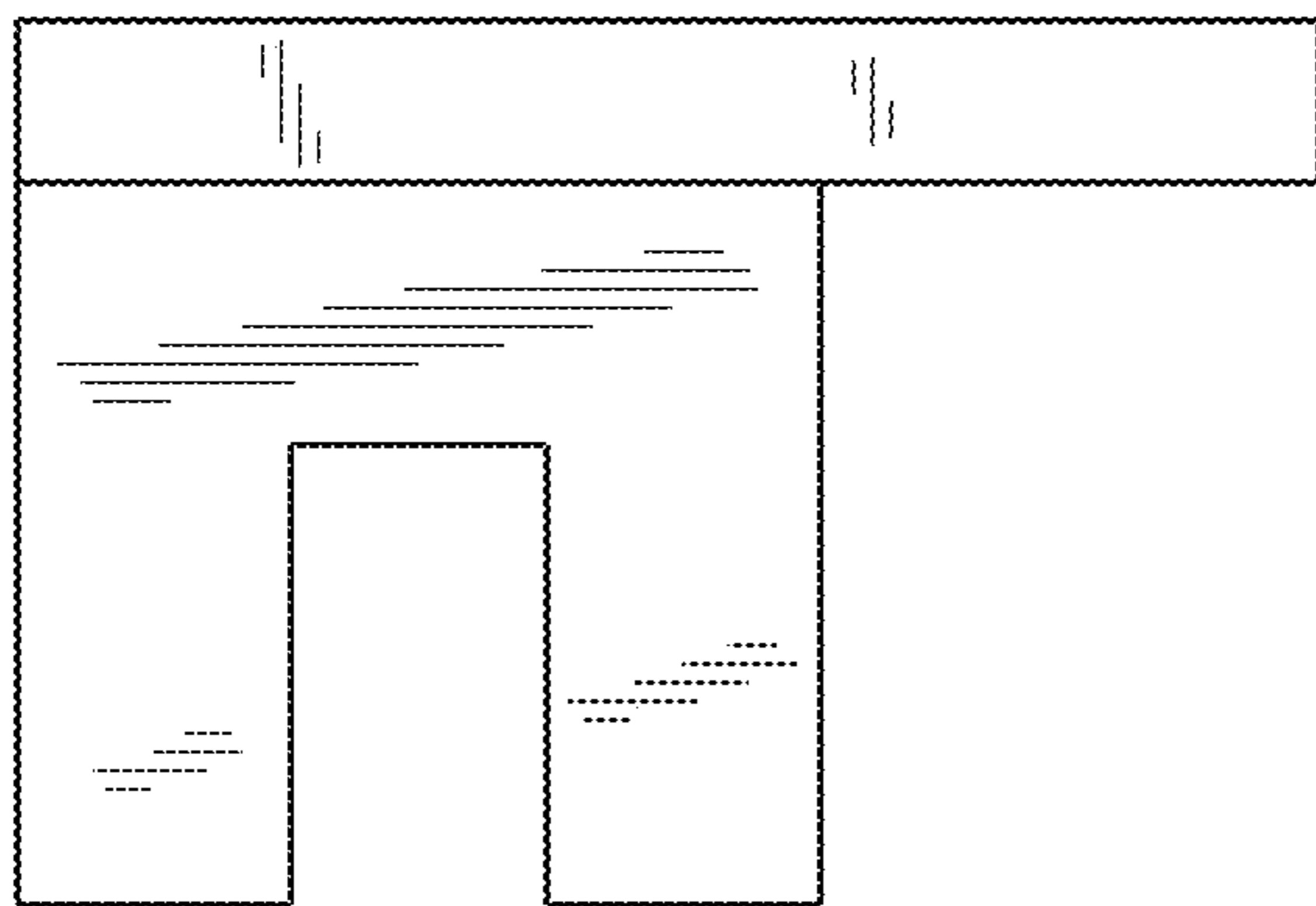


FIG. 3

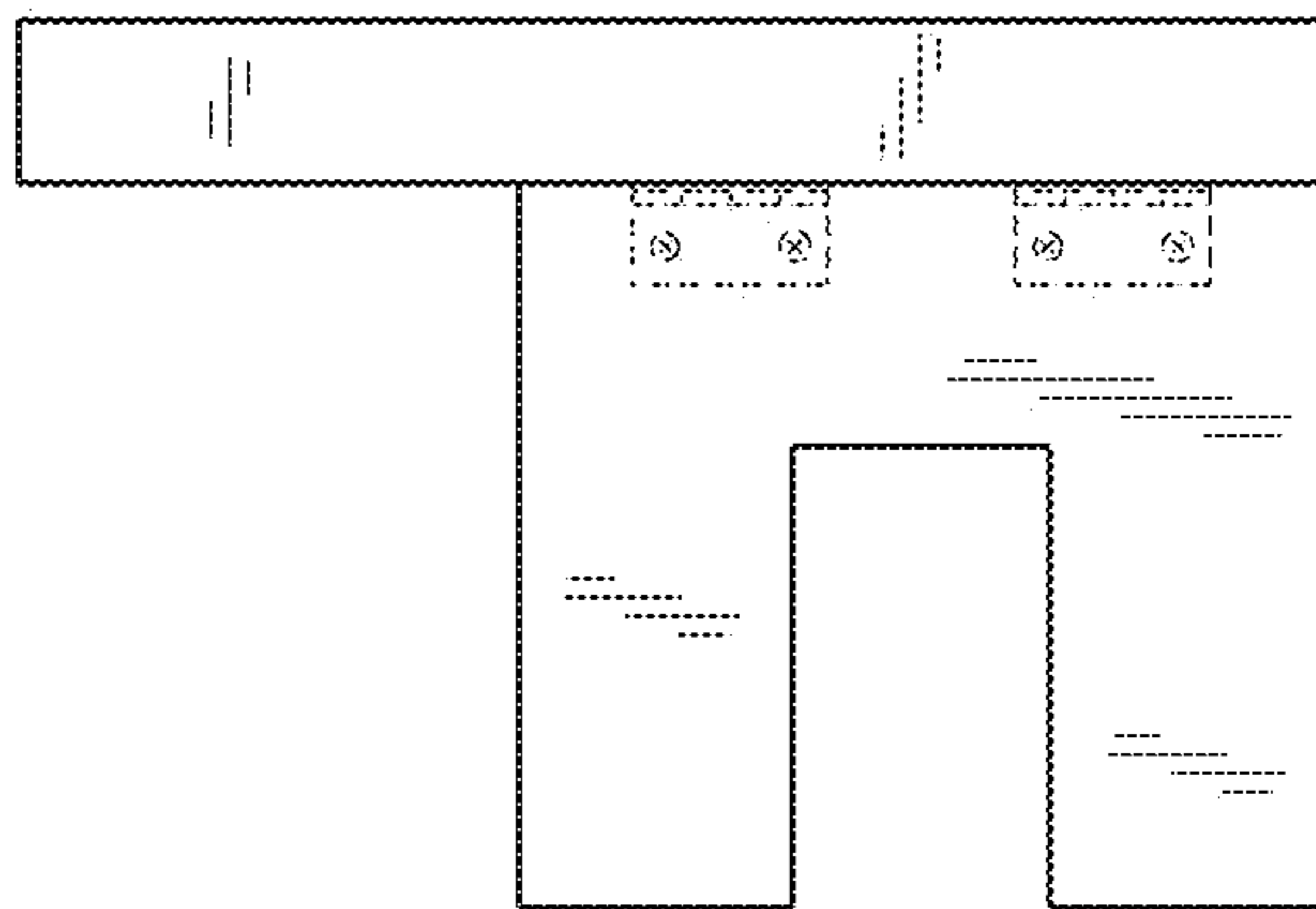


FIG. 4

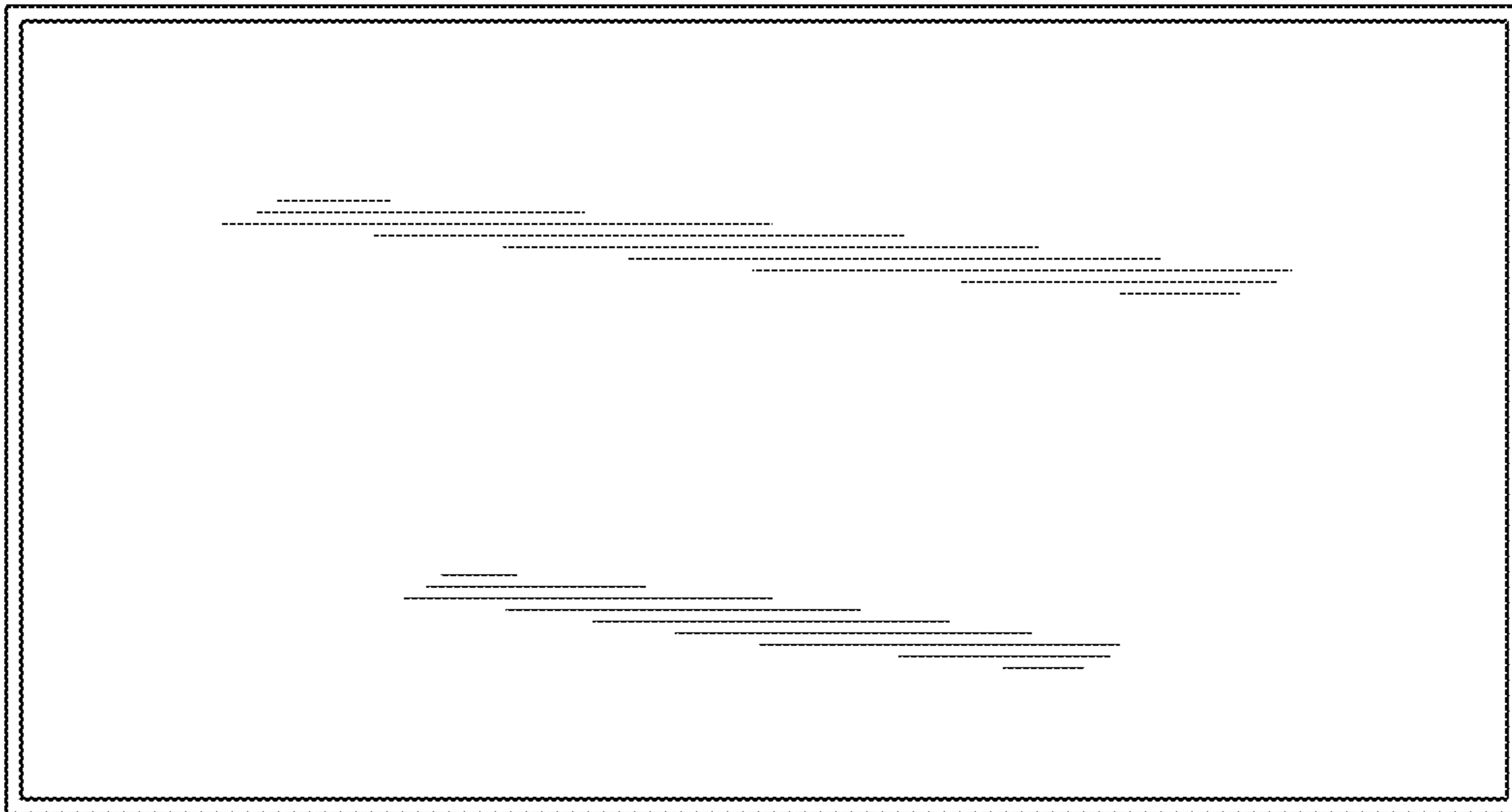


FIG. 5

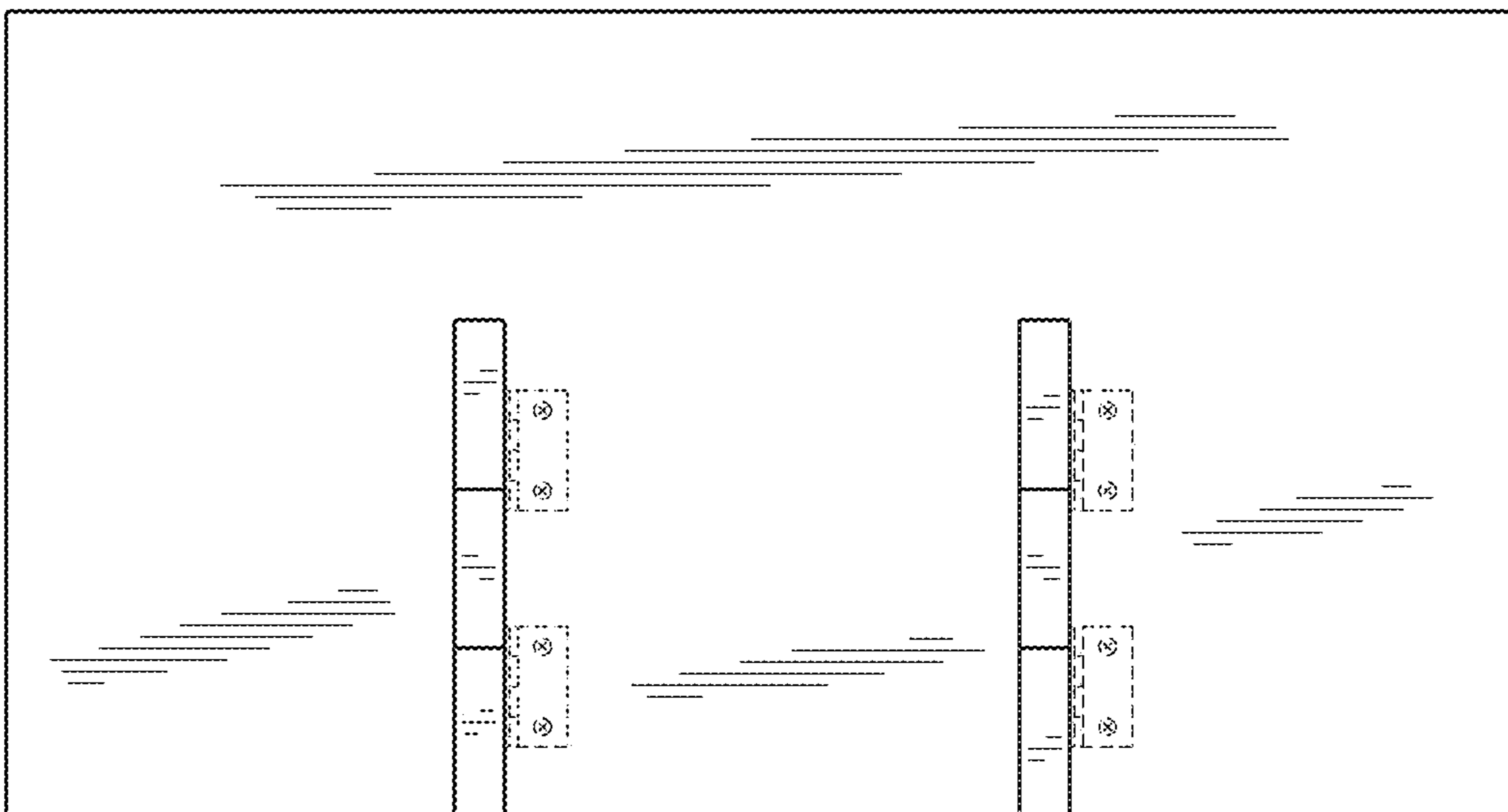


FIG. 6