



US00D874385S

(12) **United States Design Patent**  
**Jang**

(10) **Patent No.:** **US D874,385 S**

(45) **Date of Patent:** **\*\* Feb. 4, 2020**

(54) **SMARTPHONE MOUNT FOR CAR**

(71) Applicant: **AAUXX KOREA Co., LTD.**, Seoul (KR)

(72) Inventor: **Jintae Jang**, Seoul (KR)

(73) Assignee: **AAUXX KOREA Co., LTD.**, Seoul (KR)

(\*\*) Term: **15 Years**

(21) Appl. No.: **29/622,847**

(22) Filed: **Oct. 20, 2017**

(51) **LOC (12) Cl.** ..... **12-16**

(52) **U.S. Cl.**  
USPC ..... **D12/415**

(58) **Field of Classification Search**  
USPC ..... D12/415, 416–420, 400, 191, 423;  
D6/513, 514, 611, 553, 556, 559;  
D14/253  
CPC ..... B60R 11/02; B60R 2011/0005  
See application file for complete search history.

(56) **References Cited**

**U.S. PATENT DOCUMENTS**

D716,215 S \* 10/2014 Dunn ..... D12/415  
D726,175 S \* 4/2015 Tsai ..... D12/415  
D735,112 S \* 7/2015 Deng ..... D12/415

D767,556 S \* 9/2016 Lee ..... D12/415  
D780,667 S \* 3/2017 Kim ..... D12/415  
D791,062 S \* 7/2017 Balmer ..... D12/415  
D796,421 S \* 9/2017 Huang ..... D12/415  
D818,421 S \* 5/2018 Hu ..... D12/415  
D833,369 S \* 11/2018 Lan ..... D12/415  
D843,307 S \* 3/2019 Jung ..... D12/415  
D855,552 S \* 8/2019 Chen ..... D12/415  
D858,422 S \* 9/2019 Min ..... D12/415  
D858,509 S \* 9/2019 Yao ..... D14/253

\* cited by examiner

*Primary Examiner* — Katrina A Betton

(74) *Attorney, Agent, or Firm* — Revolution IP, PLLC

(57) **CLAIM**

The ornamental design for a smartphone mount for car, as shown and described.

**DESCRIPTION**

FIG. 1 is a perspective view of smartphone mount for car showing my new design;  
FIG. 2 is a front view thereof;  
FIG. 3 is a rear view thereof;  
FIG. 4 is a left side view thereof;  
FIG. 5 is a right side view thereof;  
FIG. 6 is a top view thereof; and  
FIG. 7 is a bottom view thereof; and,  
FIG. 8 and FIG. 9 are perspective views thereof in different positions.

**1 Claim, 9 Drawing Sheets**

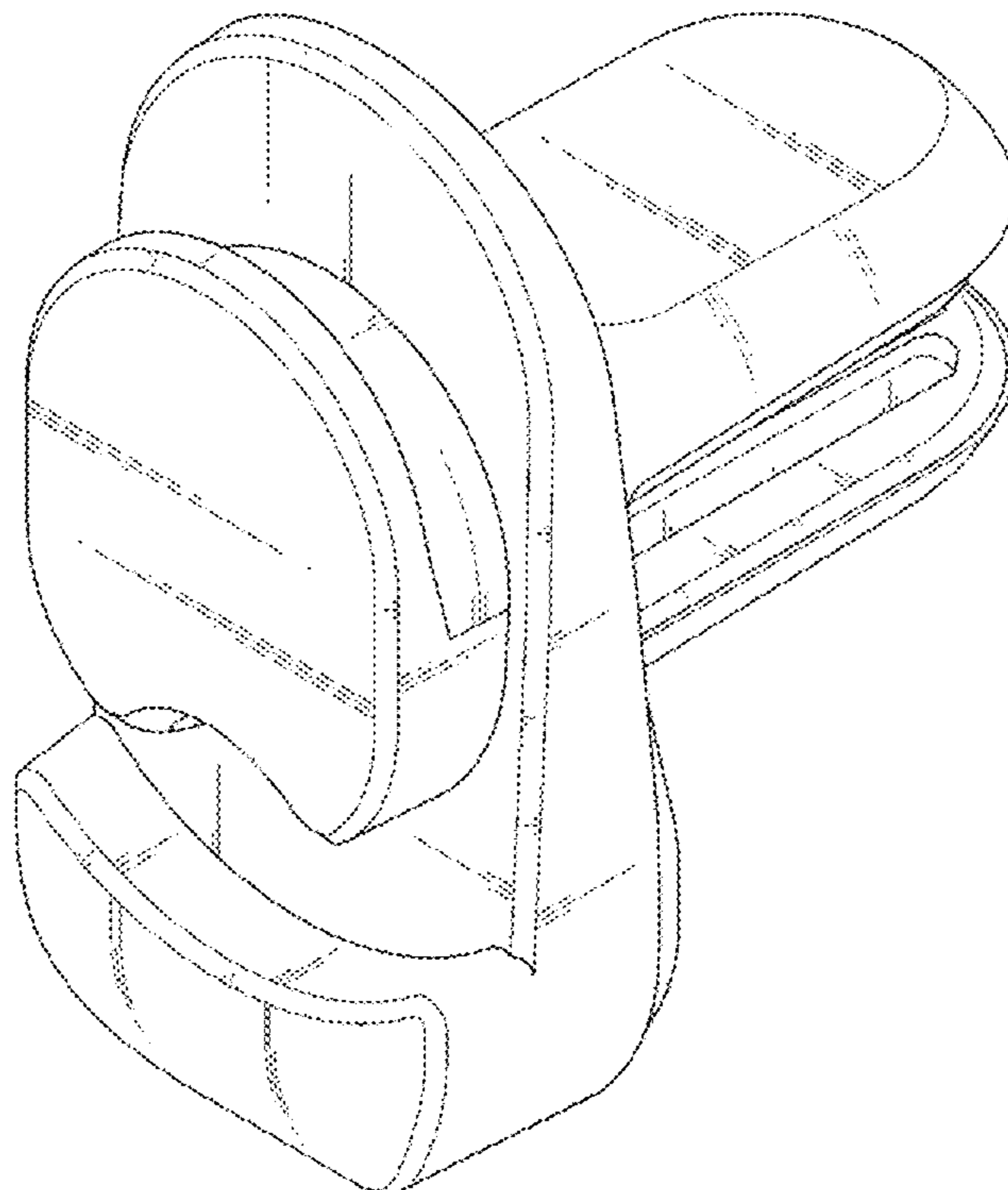


FIG. 1

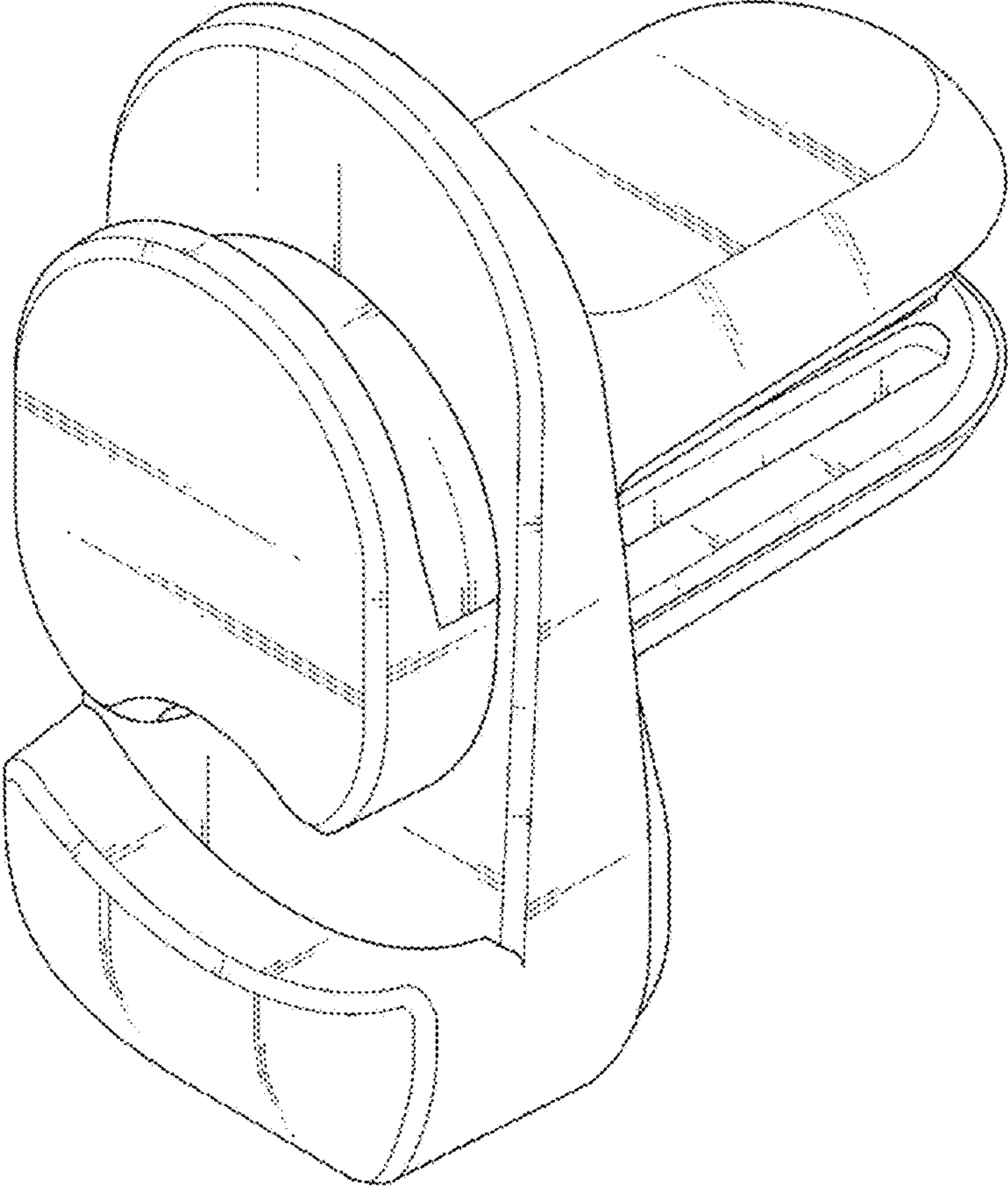


FIG. 2

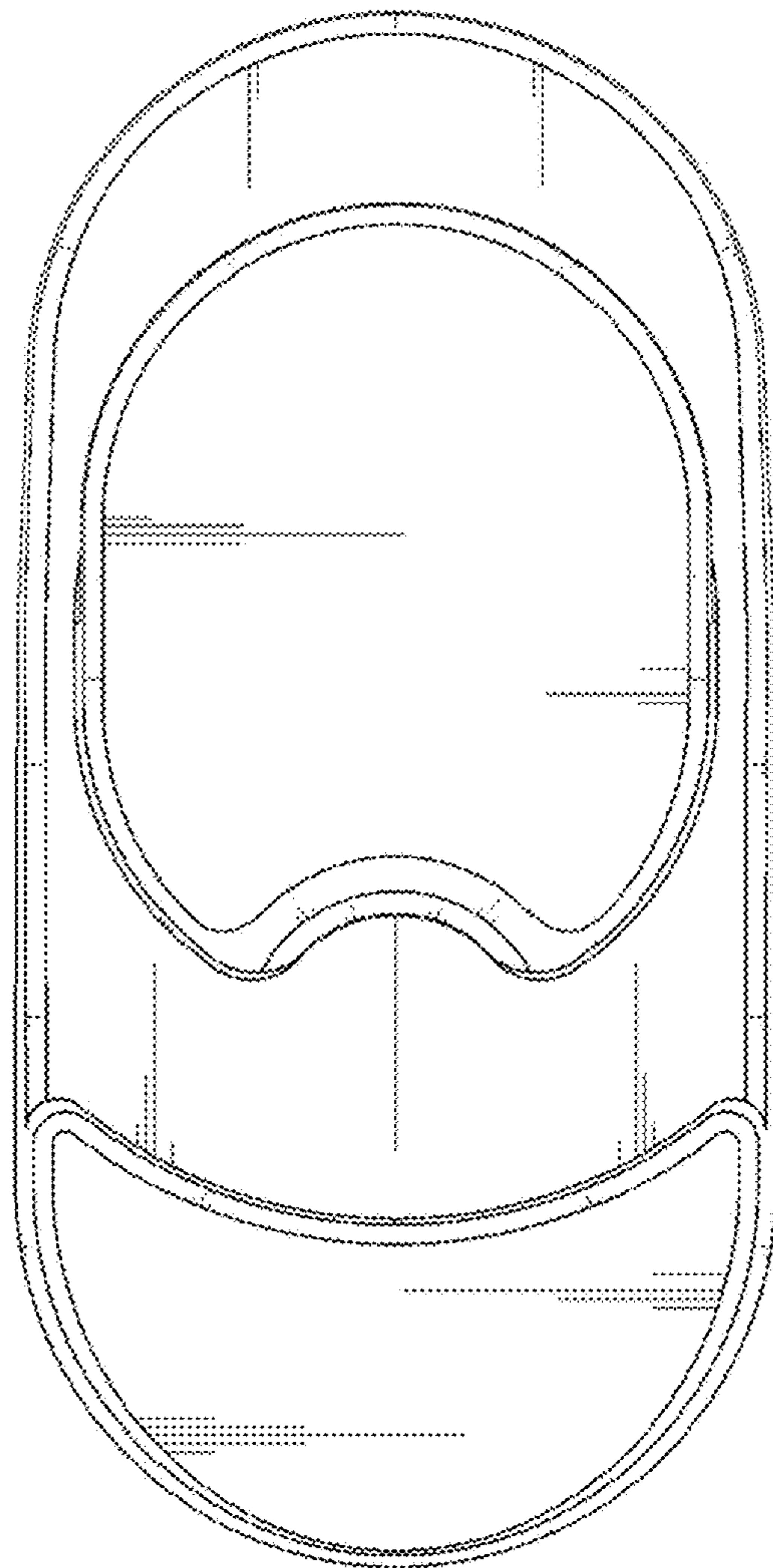


FIG. 3

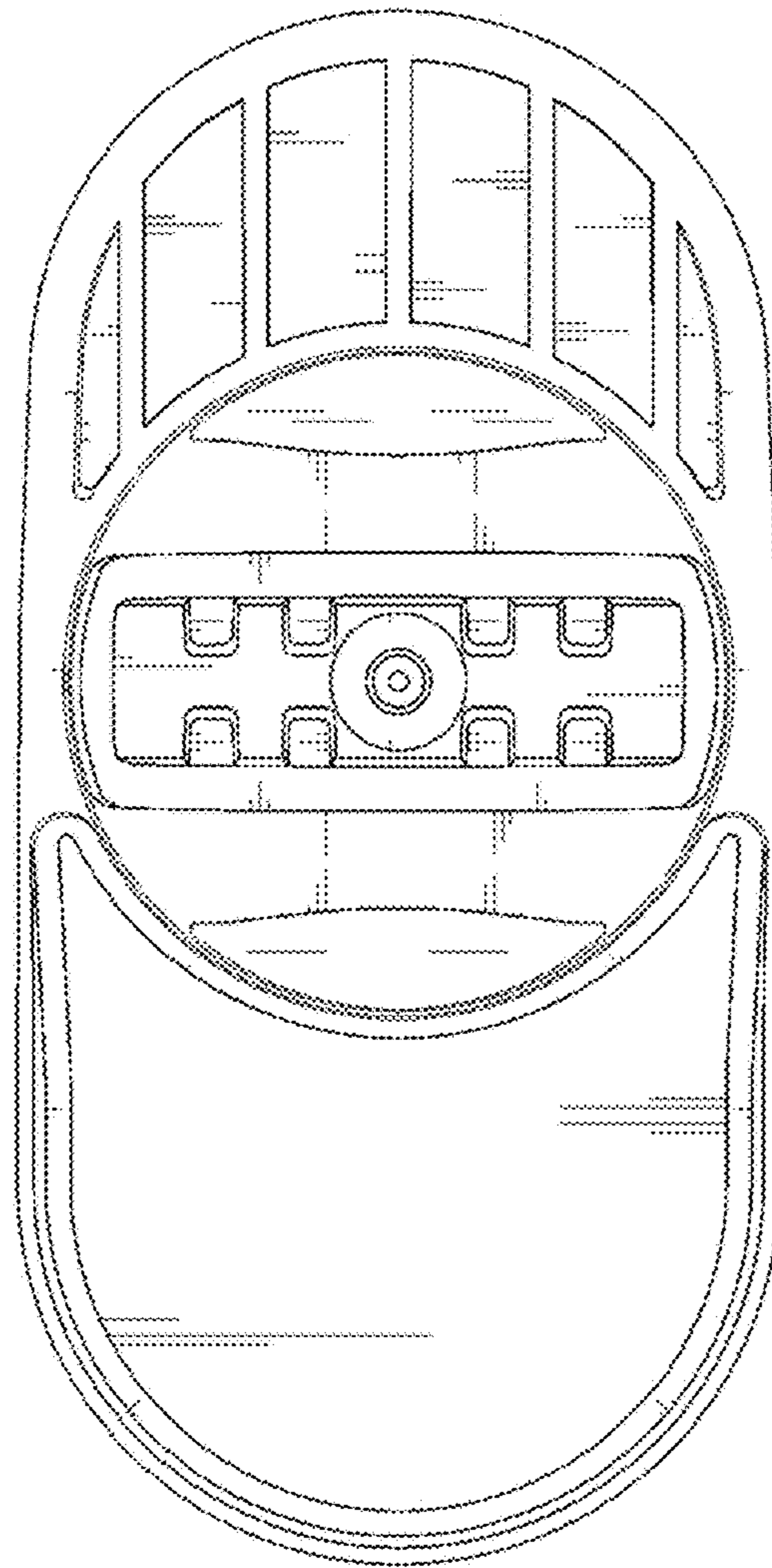


FIG. 4

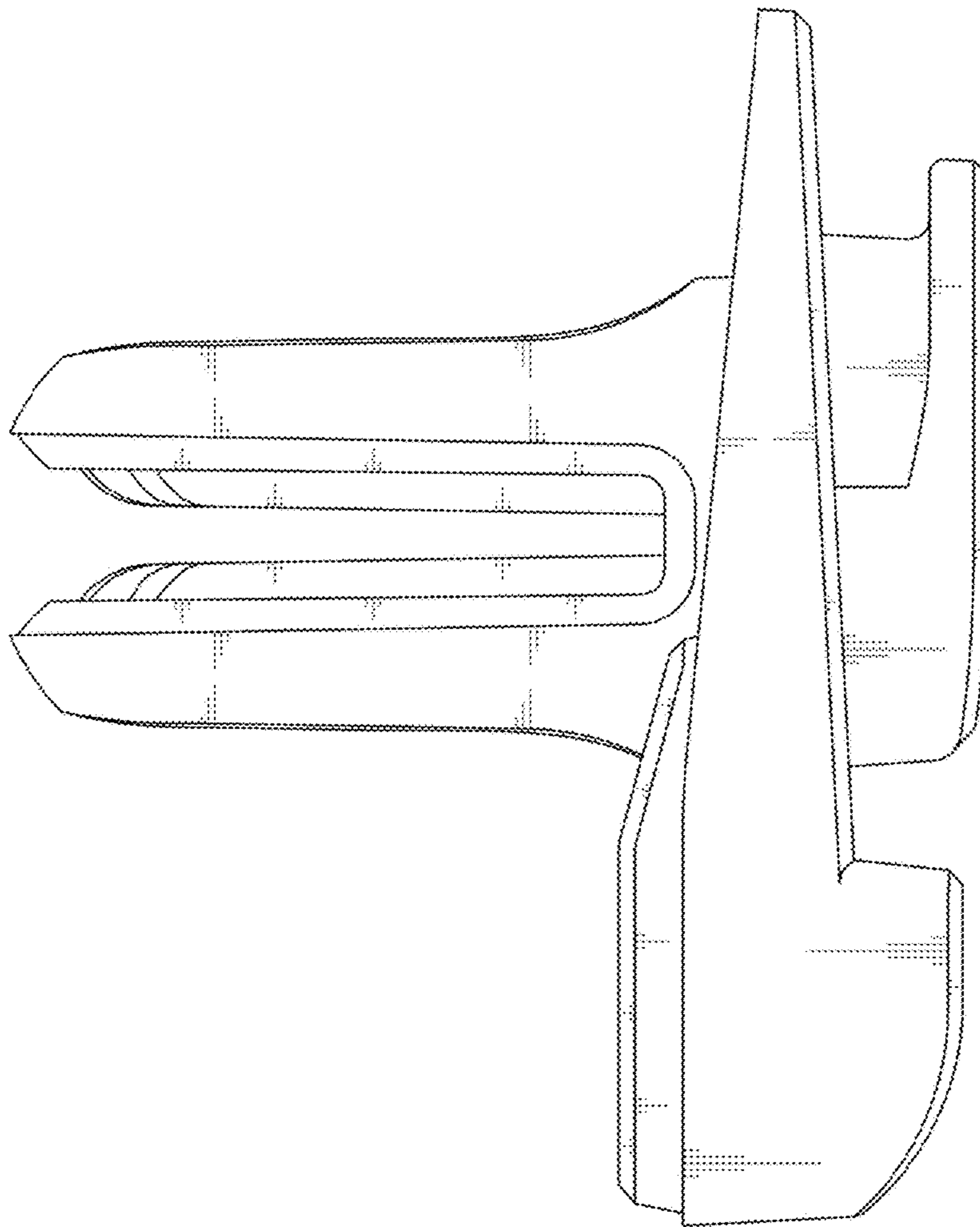


FIG. 5

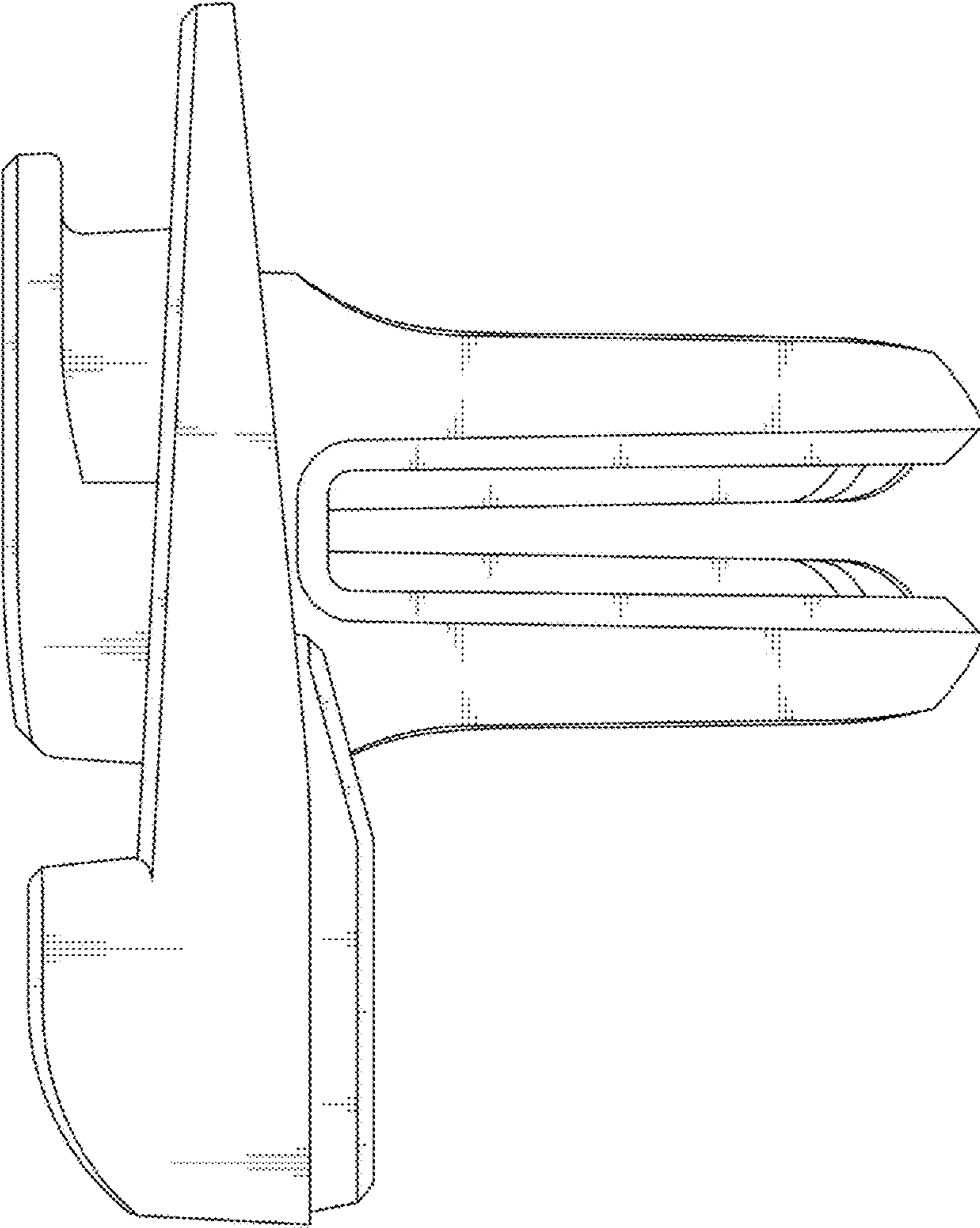


FIG. 6

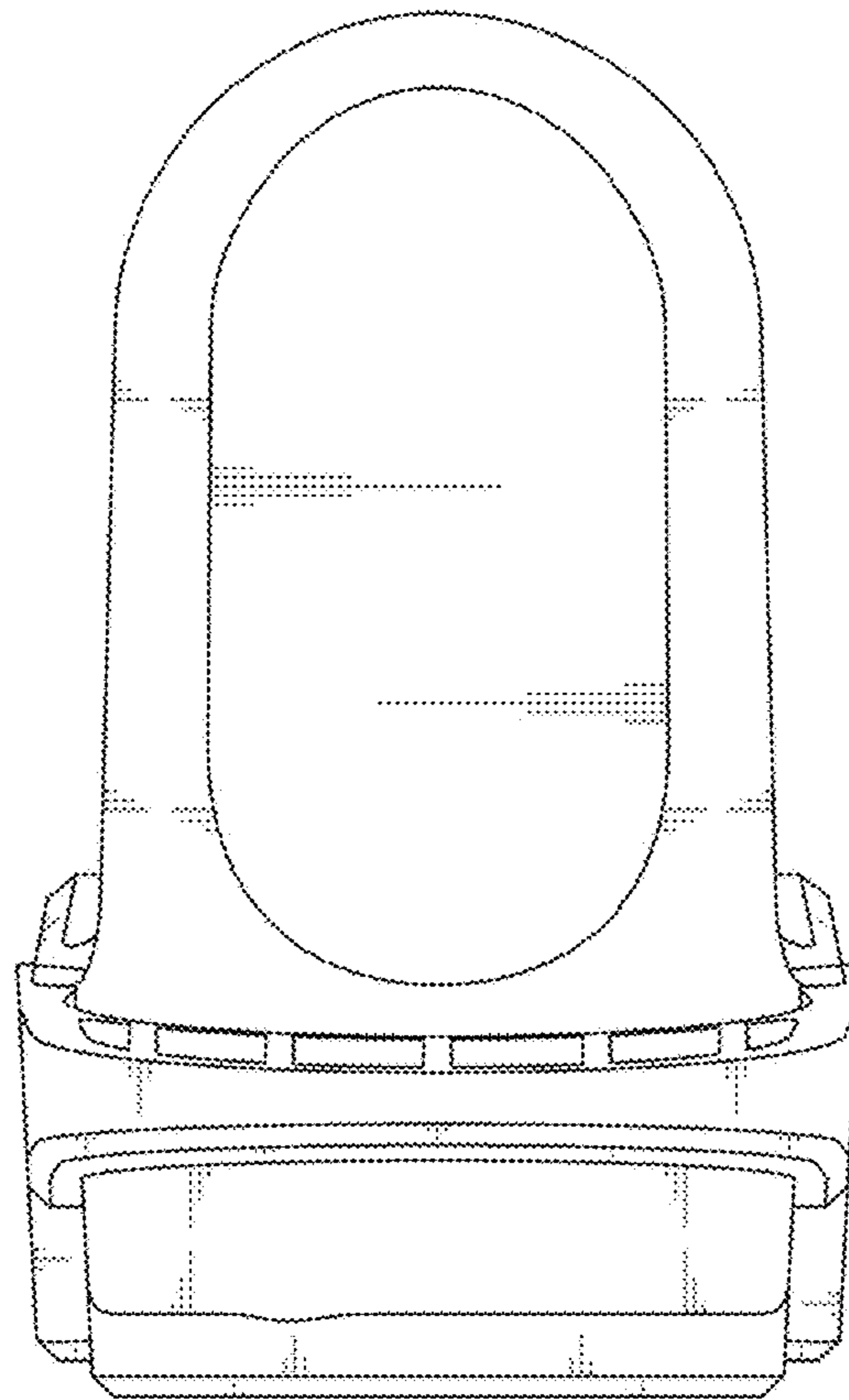


FIG. 7

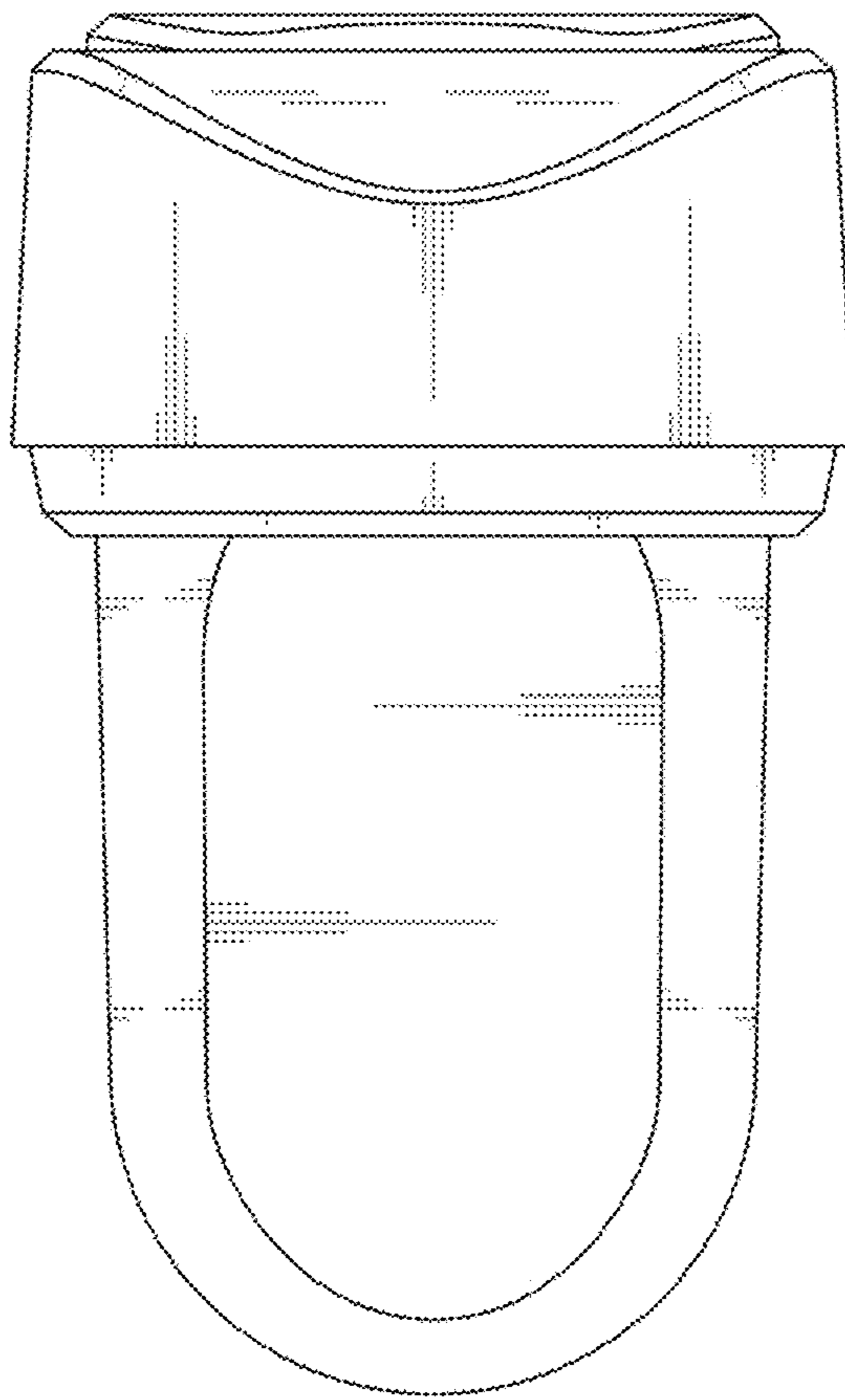




FIG. 8

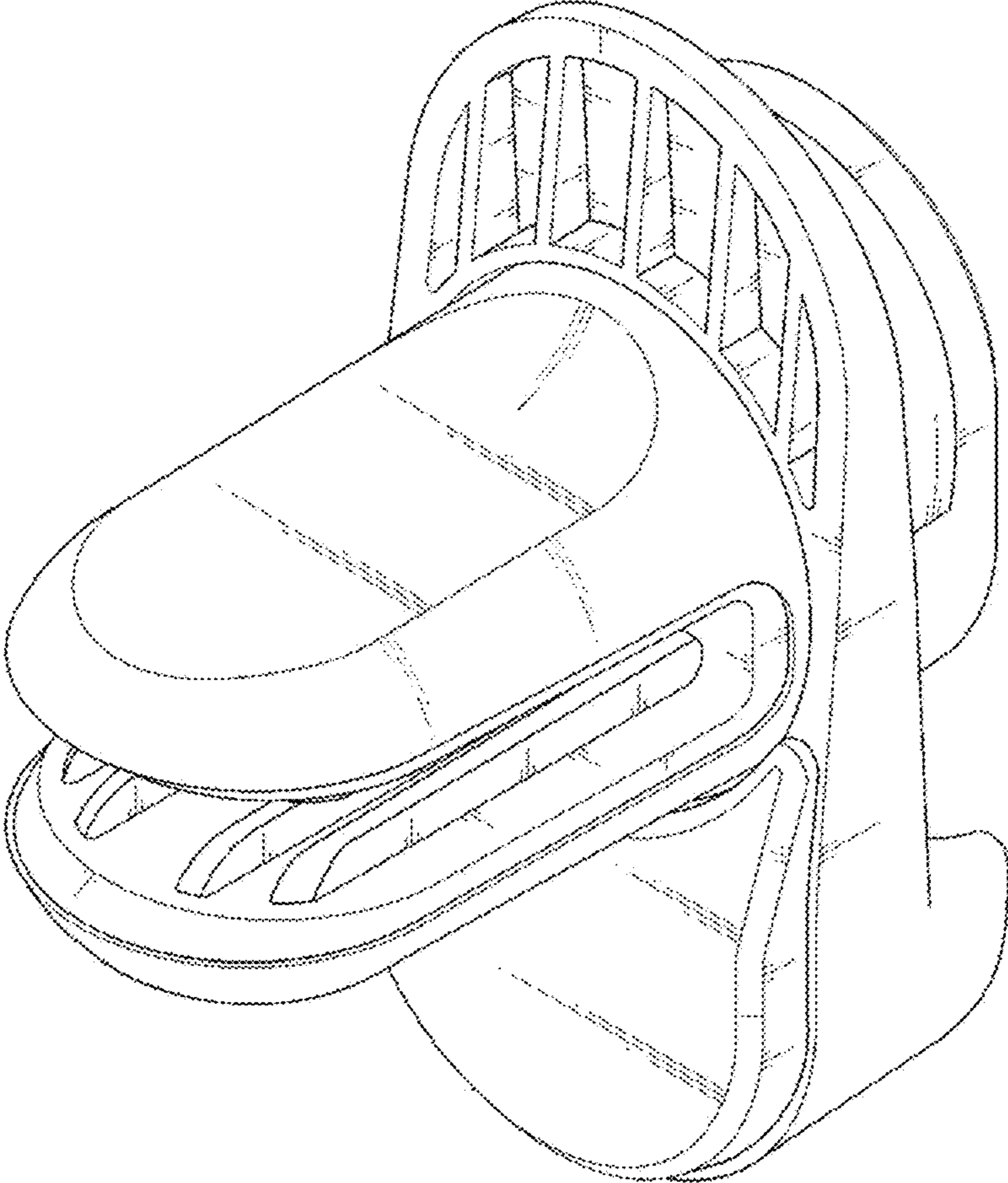


FIG. 9

