



US00D874384S

(12) **United States Design Patent**
Salsi et al.

(10) **Patent No.:** **US D874,384 S**
(45) **Date of Patent:** **** Feb. 4, 2020**

- (54) **VEHICLE ROOF RACK**
- (71) Applicant: **F.LLI MENABO' S.R.L.**, Cavriago (Reggio Emilia) (IT)
- (72) Inventors: **Andrea Salsi**, Bagnolo in Piano (IT); **Domenico Menabo'**, Reggio Emilia (IT)
- (73) Assignee: **F. LLI MENABO' S.R.L.**, Cavriago (IT)
- (**) Term: **15 Years**
- (21) Appl. No.: **29/667,285**
- (22) Filed: **Oct. 19, 2018**
- (30) **Foreign Application Priority Data**

Apr. 24, 2018 (EM) 005245644

- (51) **LOC (12) Cl.** **12-16**
- (52) **U.S. Cl.**
USPC **D12/406**
- (58) **Field of Classification Search**
USPC D12/414.1, 401-426, 89-93, 16, 96-100, D12/106, 190-192, 195, 345, 400, 222, D12/223, 433-434, 548, 552, 559, 561; D25/38, 43; D6/552, 513, 567; 135/88.01, 95; 150/165-167, 158; 160/32, 26; 280/770; 296/136.01, 296/190.08, 190.01-190.02, 77.1, 296/100.01-100.06, 98; D3/304-306
CPC B60R 9/00; B60R 9/02; B60R 9/04; B60R 9/08; B60R 9/055; B60R 9/058; B60R 9/06; B60R 9/065; B60R 9/10; B60R 9/12; B60R 9/045; B60R 7/04; B60R 7/08
See application file for complete search history.

(56) **References Cited**

U.S. PATENT DOCUMENTS

- D172,817 S * 8/1954 Binding D12/412
- D265,815 S * 8/1982 Francis D12/412

- 4,469,261 A * 9/1984 Stapleton B60R 9/045 224/321
- 4,500,020 A * 2/1985 Rasor B60R 9/045 224/321
- 4,501,385 A * 2/1985 Bott B60R 9/045 224/316

(Continued)

FOREIGN PATENT DOCUMENTS

- CN 105083139 * 11/2015 B60R 9/058

OTHER PUBLICATIONS

Menabo 000014700000 Ski Carrier with Lock, Silver Ice, Amazon.com, Date First Available: Jan. 12, 2017, [online], [site visited Sep. 23, 2019]. <URL: https://www.amazon.com/MENABO-000014700000-Carrier-Lock-Silver/dp/B004D3A2TO?ref_=ast_bbp_dp> (Year: 2017).*

(Continued)

Primary Examiner — T Chase Nelson
Assistant Examiner — Jonathan J. Han
(74) *Attorney, Agent, or Firm* — Pearne & Gordon LLP

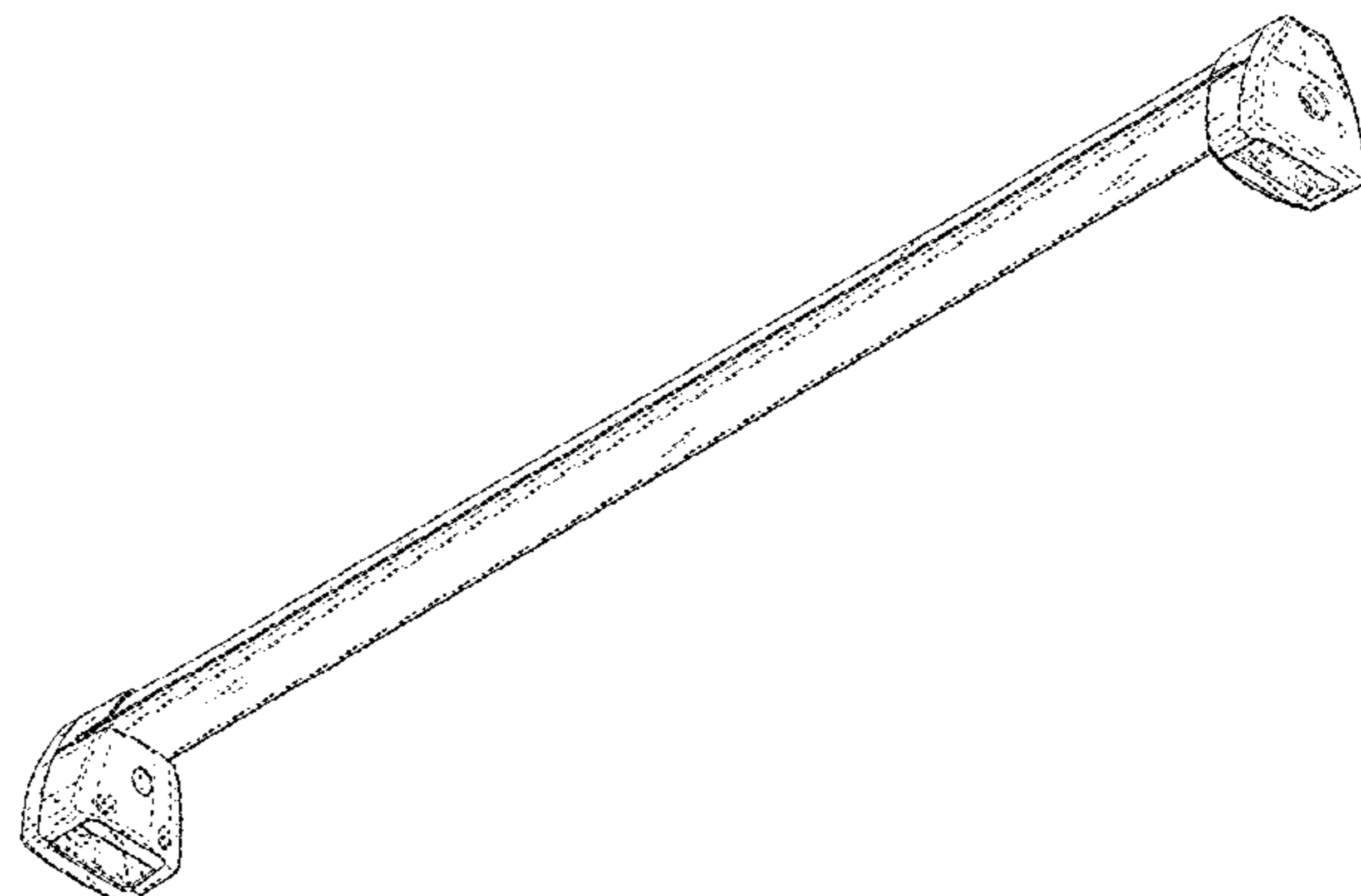
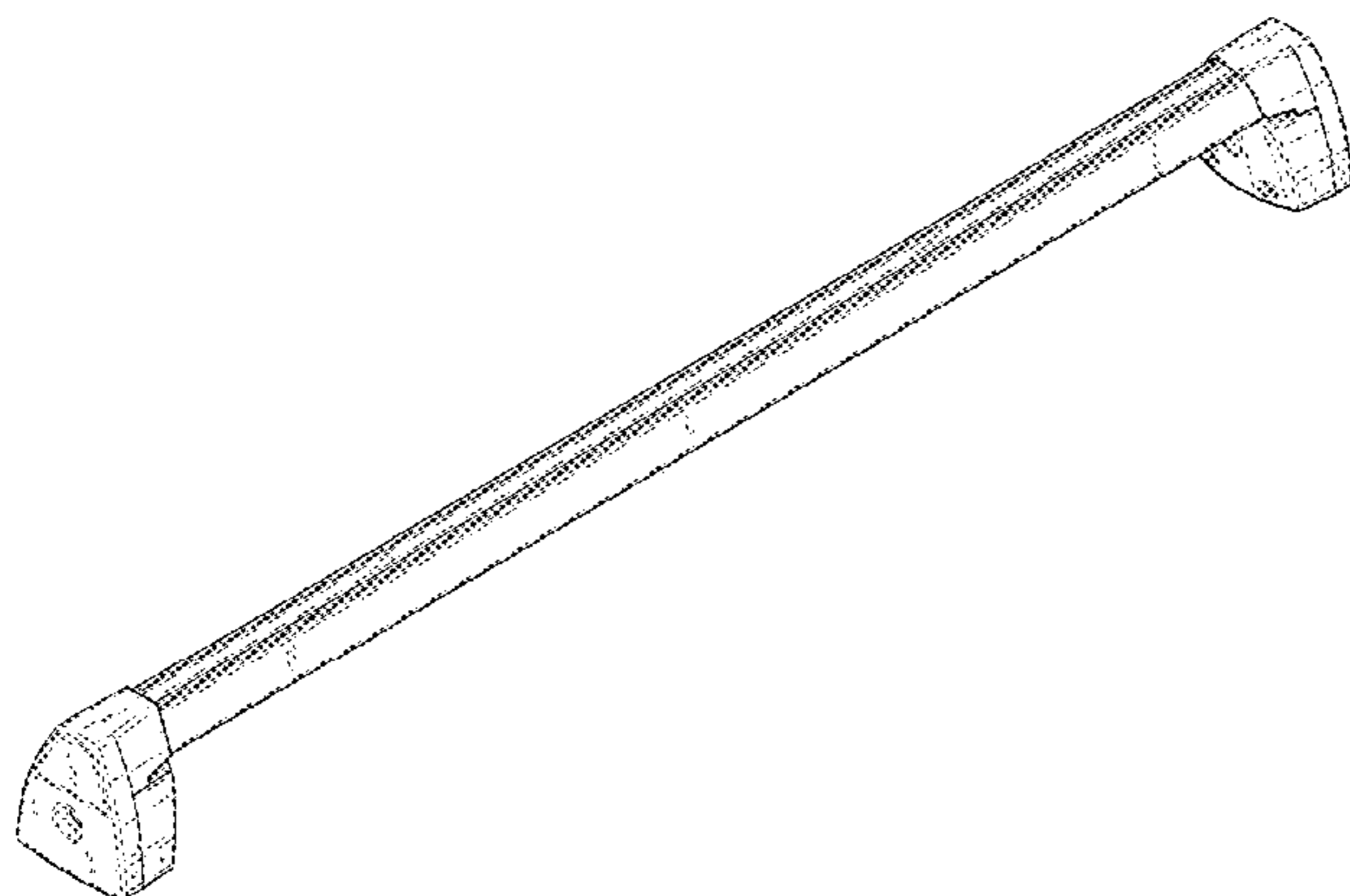
(57) **CLAIM**

The ornamental design for a vehicle roof rack, as shown and described.

DESCRIPTION

FIG. 1 is a perspective top view of a vehicle roof rack, showing our new design;
FIG. 2 is a perspective bottom view thereof;
FIG. 3 is a front view thereof, the back view being identical thereto;
FIG. 4 is a left side view thereof, the right side view being identical thereto;
FIG. 5 is a top view thereof; and,
FIG. 6 is a bottom view thereof.
The broken lines in the drawings represent unclaimed subject matter and form no part of the claimed design.

1 Claim, 3 Drawing Sheets



(56)

References Cited

U.S. PATENT DOCUMENTS

4,516,709 A * 5/1985 Bott B60R 9/12
224/315
D294,137 S * 2/1988 Robson D12/412
4,757,929 A * 7/1988 Nelson B60R 9/058
224/320
D299,224 S * 1/1989 Kamaya D12/412
4,858,803 A * 8/1989 Gerber B60R 9/048
224/329
4,877,169 A * 10/1989 Grim B60R 9/058
224/331
D316,068 S * 4/1991 Rasor D12/412
D319,810 S * 9/1991 Stapleton D12/412
D340,690 S * 10/1993 Arvidsson D12/412
D344,482 S * 2/1994 Arvidsson D12/412
D457,123 S * 5/2002 Sin D12/412
D497,589 S * 10/2004 Elwell D12/414
D577,327 S * 9/2008 Jung D12/412
D627,704 S * 11/2010 Bucher D12/412
D691,550 S * 10/2013 Moeller D12/412
D695,206 S * 12/2013 Eriksson D12/414
D768,556 S * 10/2016 McFadden D12/414
D769,790 S * 10/2016 McFadden D12/414
9,663,151 B1 * 5/2017 Carnahan B60R 9/052
D792,320 S * 7/2017 Chan D12/412
D792,833 S * 7/2017 Chan D12/412
D831,562 S * 10/2018 Salsi D12/412

D855,551 S * 8/2019 Shen D12/412
D856,901 S * 8/2019 Elliott D12/412
2011/0174853 A1 * 7/2011 Hubbard B60R 9/045
224/309
2012/0241486 A1 * 9/2012 Shen B60R 9/045
224/321
2018/0236946 A1 * 8/2018 Shen B60R 9/058

OTHER PUBLICATIONS

Menabo Frozen Alu Ski and Snowboard Rack for Crossbars, Amazon.com, Date First Available: Nov. 11, 2017, [online], [site visited Sep. 23, 2019]. <URL: https://www.amazon.com/Menabo-Frozen-Snowboard-Rack-Crossbars/dp/B009SA4O8C/ref=pd_day0_hl_263_5/132-2524759-0679644?_encoding=UTF8> (Year: 2017).*

Yitamotor Cross Bars Roof Racks, Amazon.com, Date First Available: Dec. 27, 2017, [online], [site visited Sep. 23, 2019]. <URL: https://www.amazon.com/dp/B078NPHNQC/ref=sspa_dk_detail_8?psc=1&spLa=ZW5jenIwdGVkUXVhbGlmaWVyPUEySkRIWDQxWEhUWFhDmVuY3J5cHRIZEikPUE> (Year: 2017).*

OEM 18-2019 Subaru Crosstrek Aero-Style Roof Rack Cross Bar set E361SFL400, Ebay.com, Last updated on Sep. 19, 2019 14:27:02 PDT, [online], [site visited Sep. 23, 2019]. <URL: <https://www.ebay.com/itm/OEM-18/2019-Subaru-Crosstrek-Aero-Style-Roof-Rack-Cross-Bar-set-E361SFL400>> (Year: 2019).*

* cited by examiner

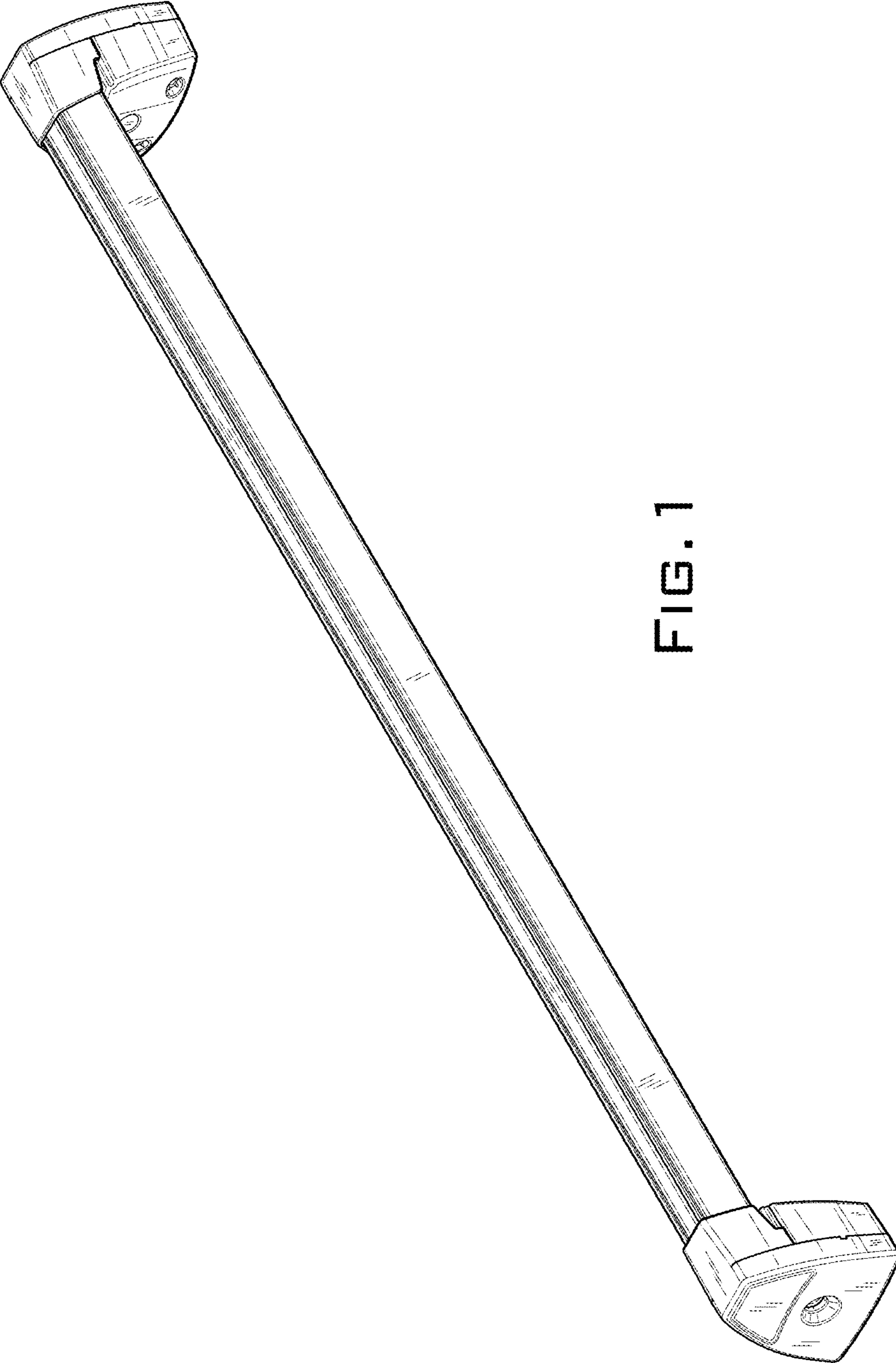


FIG. 1

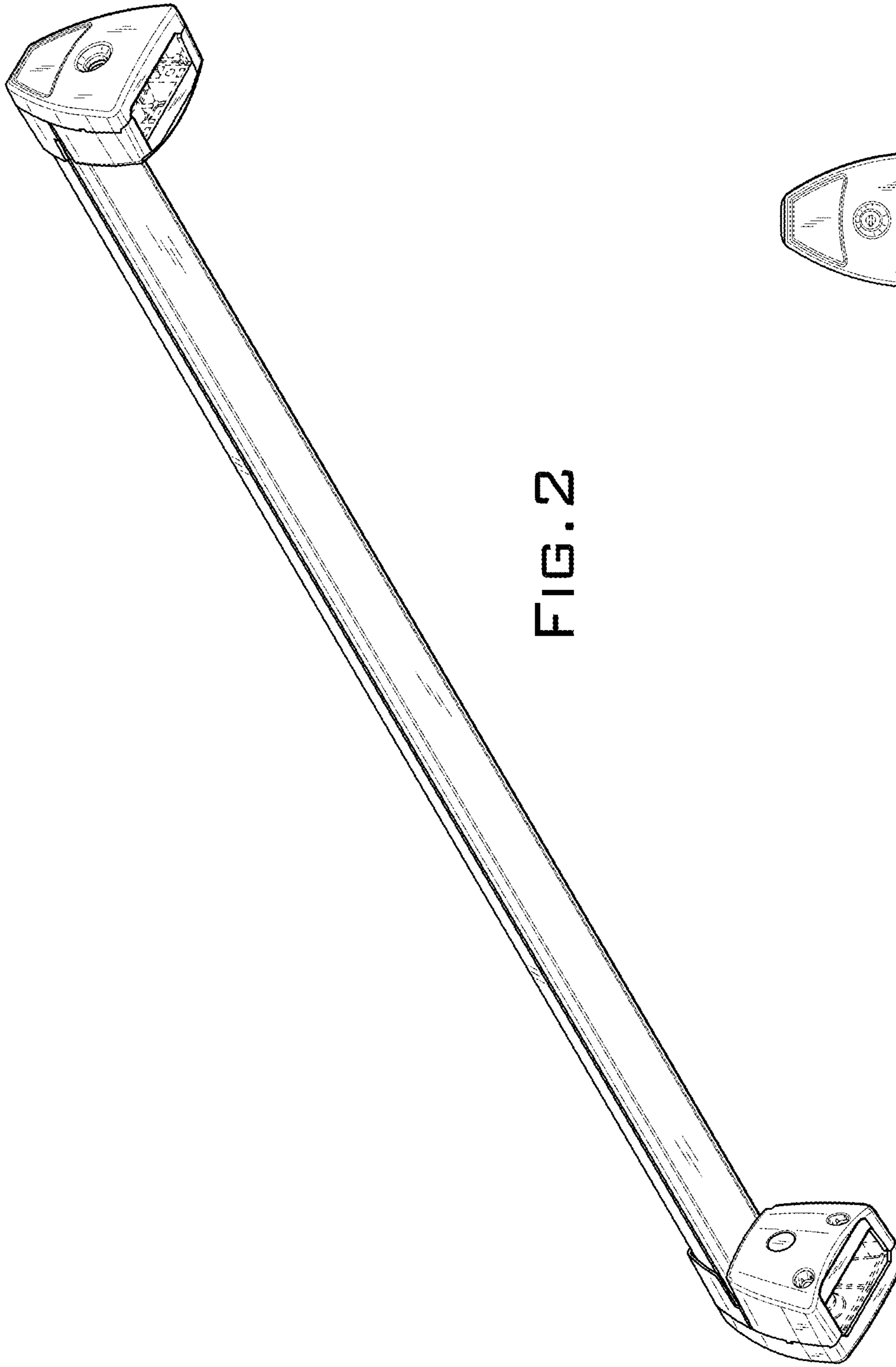


FIG. 2

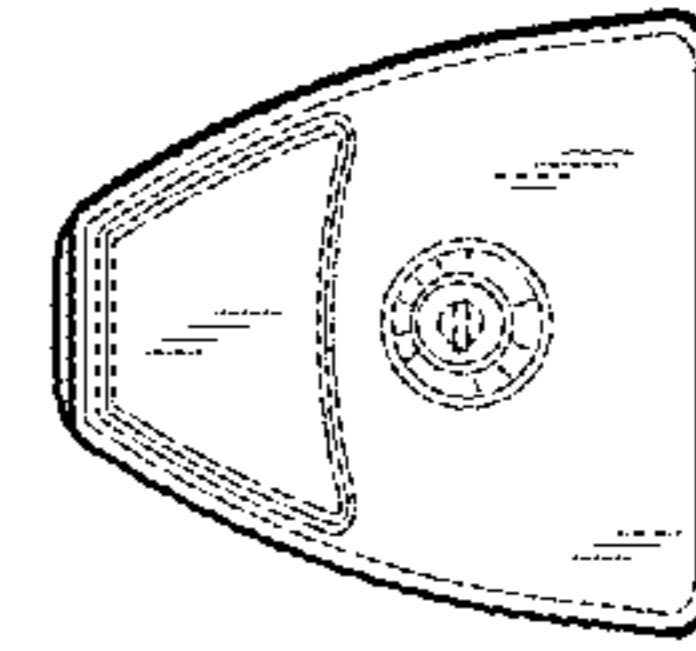


FIG. 4

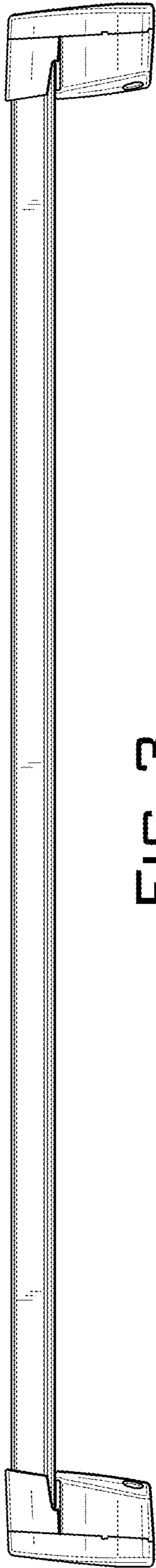


FIG. 3

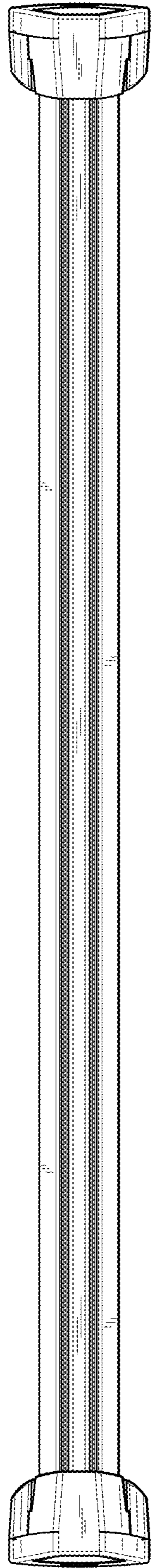


FIG. 5

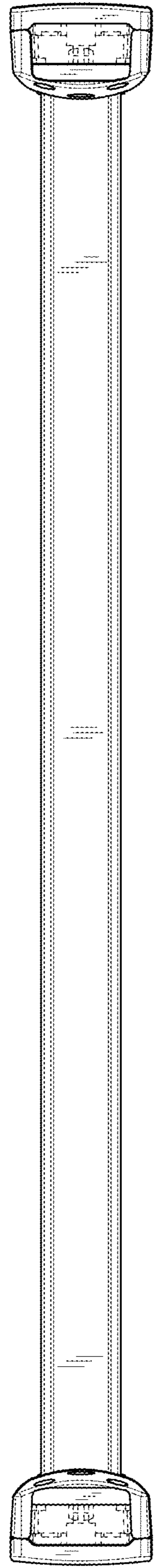


FIG. 6