



US00D874383S

(12) **United States Design Patent**
Hammer

(10) **Patent No.:** **US D874,383 S**

(45) **Date of Patent:** **** Feb. 4, 2020**

(54) **VEHICLE RACK**

(71) Applicant: **Jeremy Hammer**, Salt Lake City, UT
(US)

(72) Inventor: **Jeremy Hammer**, Salt Lake City, UT
(US)

(**) Term: **15 Years**

(21) Appl. No.: **29/663,065**

(22) Filed: **Sep. 11, 2018**

(51) **LOC (12) Cl.** **12-16**

(52) **U.S. Cl.**
USPC **D12/406**

(58) **Field of Classification Search**
USPC D12/406, 400, 412-414; 296/3, 37.1;
224/402-405; 211/182, 162, 175-176,
211/205-206; 52/731.7, 731.6, 735.1,
52/737.6; D6/718, 382, 392, 709
CPC B60D 1/06
See application file for complete search history.

(56) **References Cited**

U.S. PATENT DOCUMENTS

D220,688 S *	5/1971	Zulim	D12/412
3,765,713 A *	10/1973	Suitt	B60R 9/00
			296/3
D236,973 S *	9/1975	Burton	D12/412
4,405,170 A *	9/1983	Raya	B60P 3/42
			224/309
4,509,787 A *	4/1985	Knaack	B60R 9/00
			211/182
4,659,131 A *	4/1987	Flournoy, Jr.	B60R 9/00
			296/3
5,190,337 A *	3/1993	McDaniel	B60P 3/42
			224/405
5,423,587 A *	6/1995	Ingram	B60P 3/32
			135/88.13
5,439,152 A *	8/1995	Campbell	B60R 9/00
			108/55.1

D362,654 S *	9/1995	Keith	D12/406
5,494,327 A *	2/1996	Derecktor	B60P 3/40
			224/321
D367,843 S *	3/1996	Tayar	D12/412

(Continued)

OTHER PUBLICATIONS

Thule TracRac Universal Steel Rack, Thule.com, [online], [site visited Sep. 23, 2019]. <URL: https://www.thule.com/en-us/us/roof-rack/truck-and-van-racks/thule-tracrac-universal-steel-rack-_91000> (Year: 2019).*

(Continued)

Primary Examiner — T Chase Nelson
Assistant Examiner — Jonathan J. Han
(74) *Attorney, Agent, or Firm* — Seth Black; Dodd Call Black, PLLC

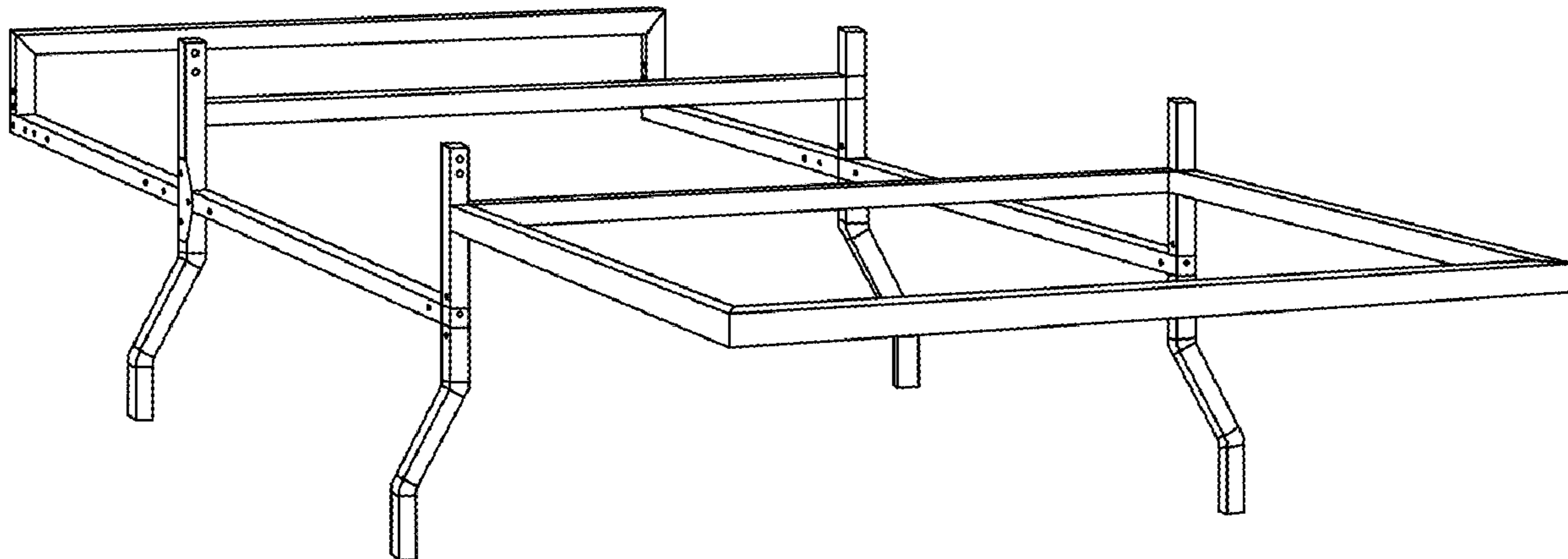
(57) **CLAIM**

The ornamental design for a vehicle rack, as shown and described.

DESCRIPTION

FIG. 1 is a top, rear, right side perspective view of a vehicle rack installed on a vehicle showing my new design; FIG. 2 is an exploded top, rear, right side perspective view thereof; FIG. 3 is a top, front, left side perspective view of the vehicle rack; FIG. 4 is an enlarged front elevational view thereof; FIG. 5 is an enlarged rear elevational view thereof; FIG. 6 is a right side elevational view thereof; FIG. 7 is a left side elevational view thereof; FIG. 8 is a top plan view thereof; and, FIG. 9 is a bottom plan view thereof. The broken lines used to show the vehicle in FIGS. 1 and 2 are for illustrative purposes only and form no part of the claimed design.

1 Claim, 8 Drawing Sheets



(56)

References Cited

U.S. PATENT DOCUMENTS

5,806,905 A * 9/1998 Moore B60R 9/00
296/3
5,836,635 A * 11/1998 Dorman B60P 3/40
296/3
5,927,782 A * 7/1999 Olms B60R 9/00
211/182
D415,718 S * 10/1999 Aghaci D12/91
D436,915 S * 1/2001 Burger D12/406
6,186,571 B1 * 2/2001 Burke B60P 3/40
224/405
D454,328 S * 3/2002 Cornelius D12/404
6,439,646 B1 * 8/2002 Cornelius B60J 7/102
224/309
6,520,723 B2 * 2/2003 Christensen B60P 3/40
410/100
6,752,301 B1 * 6/2004 Drolet B60P 3/40
224/403
6,824,192 B2 * 11/2004 Hoffmann B60J 7/10
296/100.18
6,832,798 B1 * 12/2004 Krause B60R 9/042
224/403
7,494,169 B2 * 2/2009 Collins B60P 3/40
296/3
7,641,251 B1 * 1/2010 Stepanians B60P 3/40
224/405
D624,005 S * 9/2010 Winner D12/412

8,210,374 B2 * 7/2012 Harpole B65D 19/12
211/194
D695,675 S * 12/2013 Voglmayr D12/414
8,662,366 B1 * 3/2014 DeZonia B60R 9/04
224/405
8,814,015 B2 * 8/2014 Gier B60R 9/06
224/321
D811,311 S * 2/2018 Badillo D12/412
10,131,287 B1 * 11/2018 Marino B60R 9/045
D849,666 S * 5/2019 Smith D12/414
10,322,662 B2 * 6/2019 Lasley B63C 13/00

OTHER PUBLICATIONS

Rack-It Square tube Heavy Duty Truck Racks, Campway.com, [online], [site visited Sep. 23, 2019]. <URL: <https://www.campway.com/products/rack-square-tube>> (Year: 2019).*

Truck Rack Headache Racks Aluminum Back Rack w/Over Cab Extension Fits: Tacoma, Ebay.com, Last updated on Sep. 9, 2019 22:46:05 PDT, [online], [site visited Sep. 23, 2019]. <URL: <https://www.ebay.com/itm/Truck-Rack-Headache-Racks-Aluminum-Back-Rack-w-Over-Cab-Extension-Fits-Tac>> (Year: 2019).*

AA-Racks Model APX25-E Aluminum Pickup Truck Ladder Rack w/Cantilever Extension—Sandy Black, Amazon.com, Date First Available: Nov. 28, 2018, [online], [site visited Sep. 23, 2019]. <URL: <https://www.amazon.com/AA-Racks-APX25-Aluminum-Cantilever-Extension/dp/B07KXLG1RP>> (Year: 2018).*

* cited by examiner

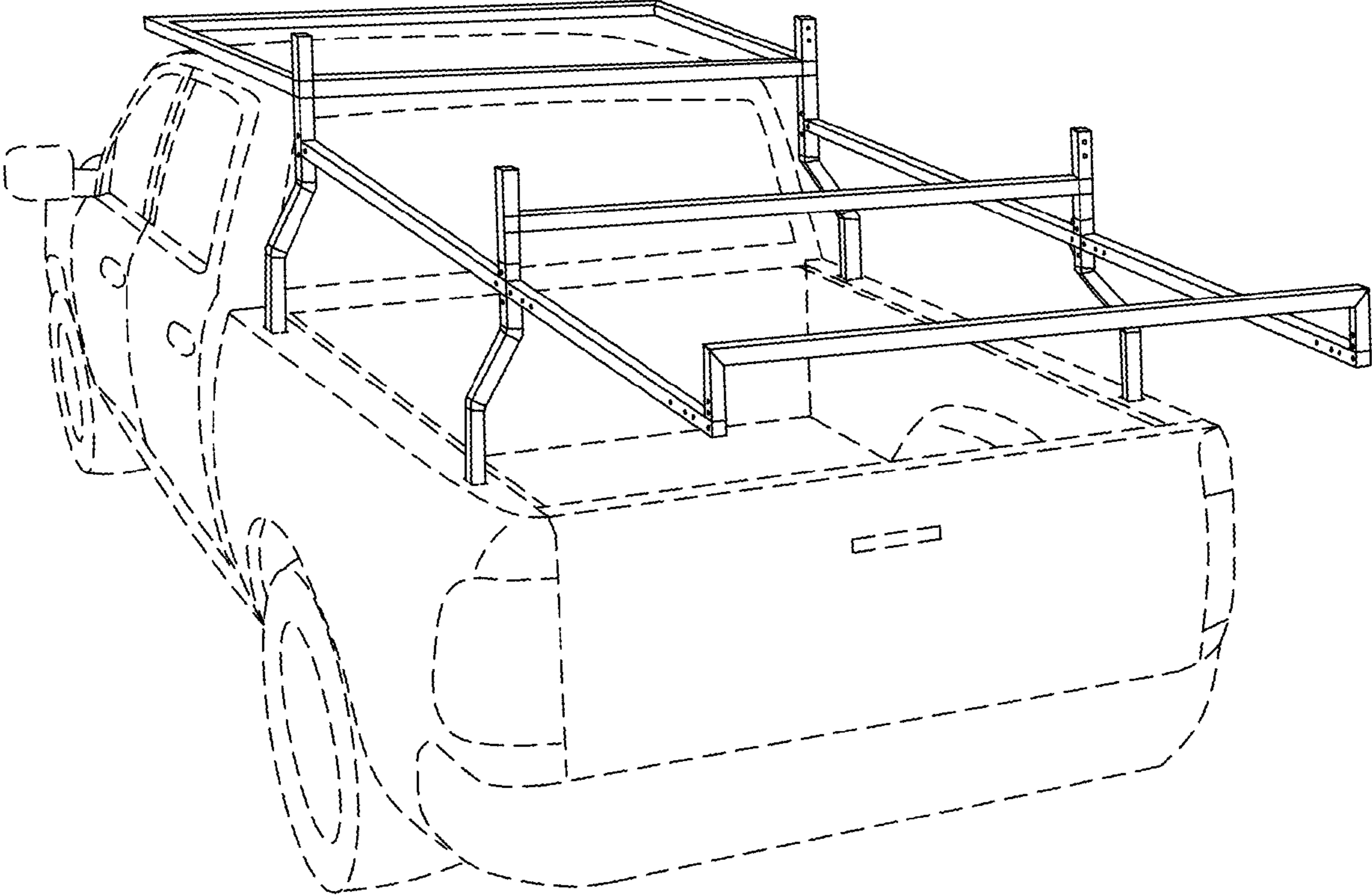


FIG. 1

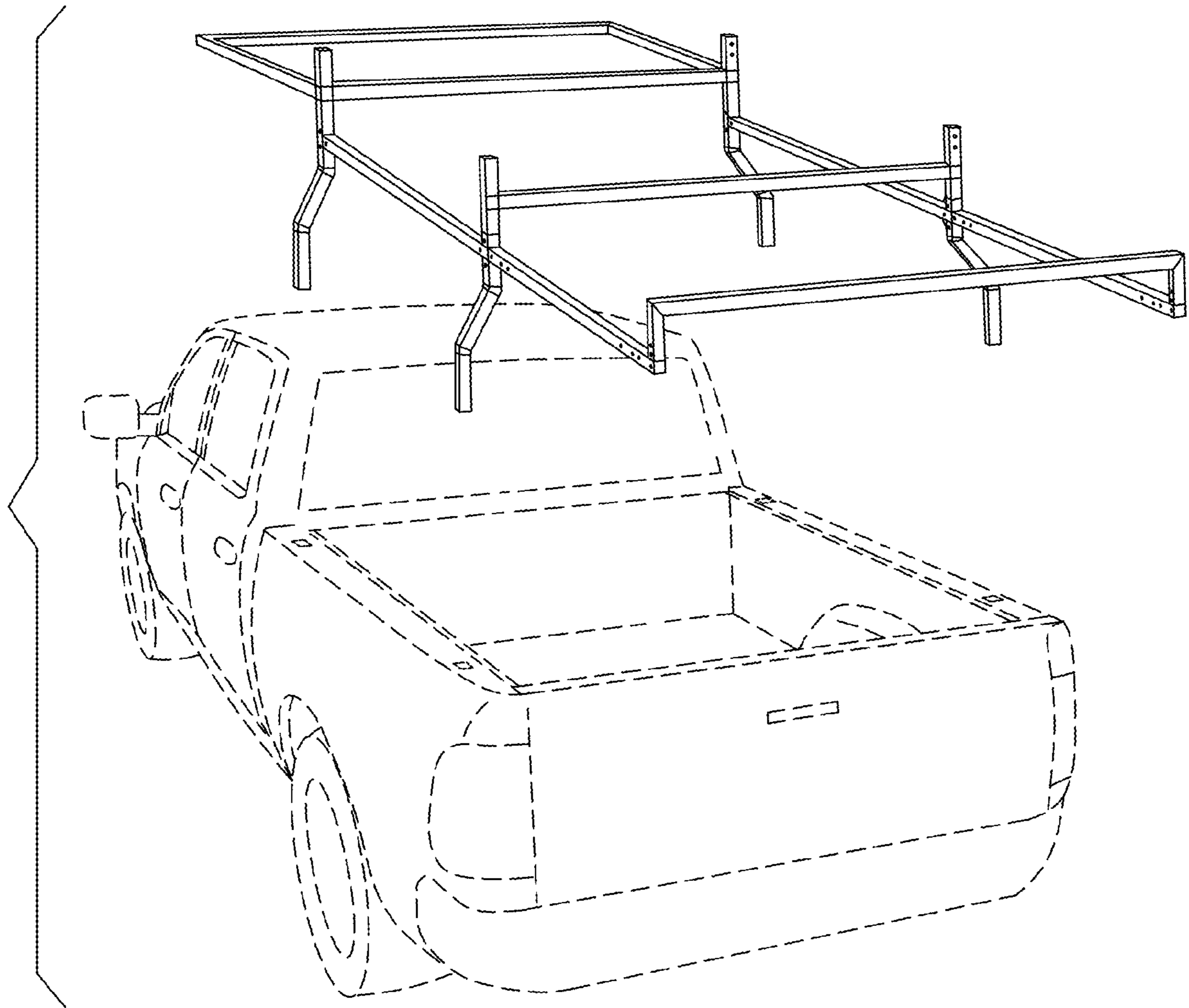


FIG. 2

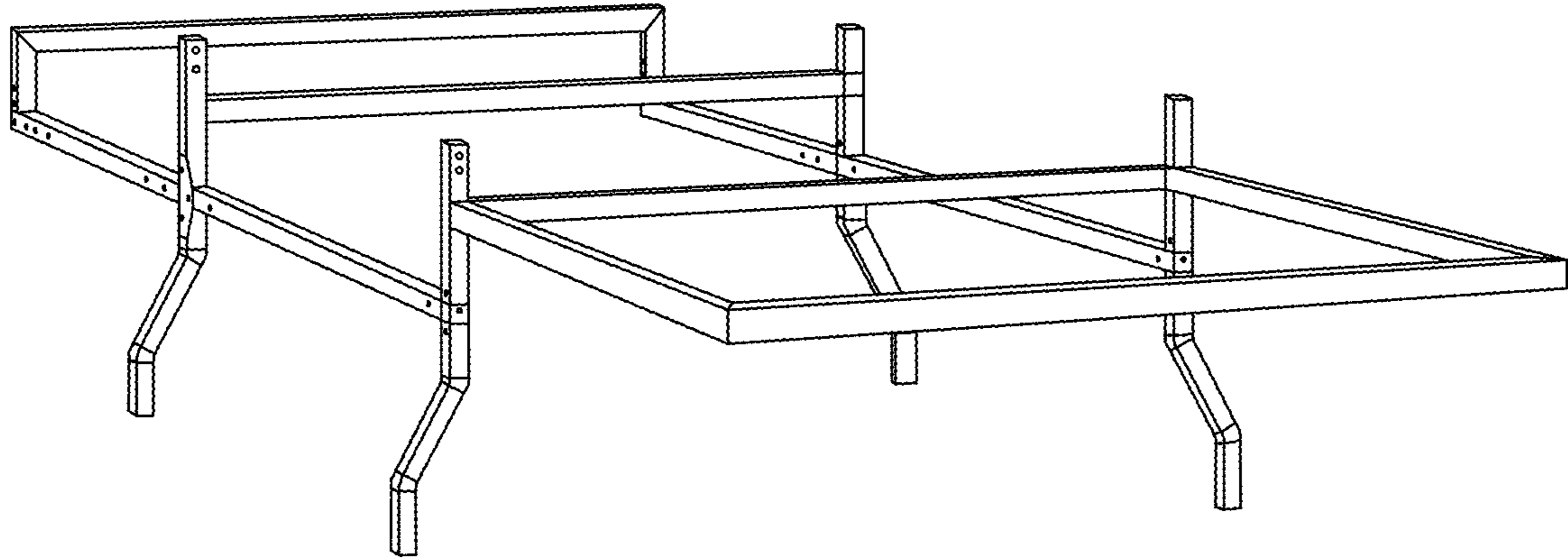


FIG. 3

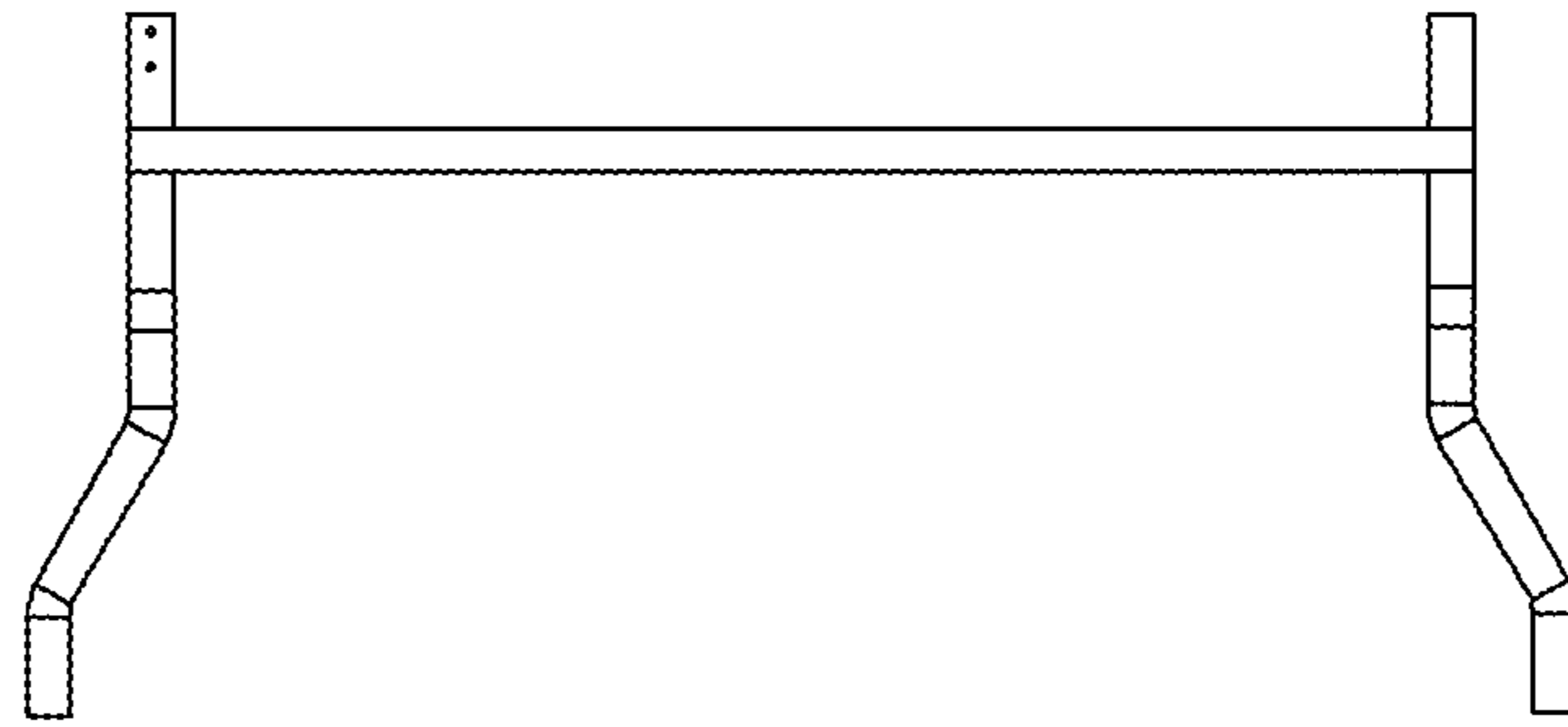


FIG. 4

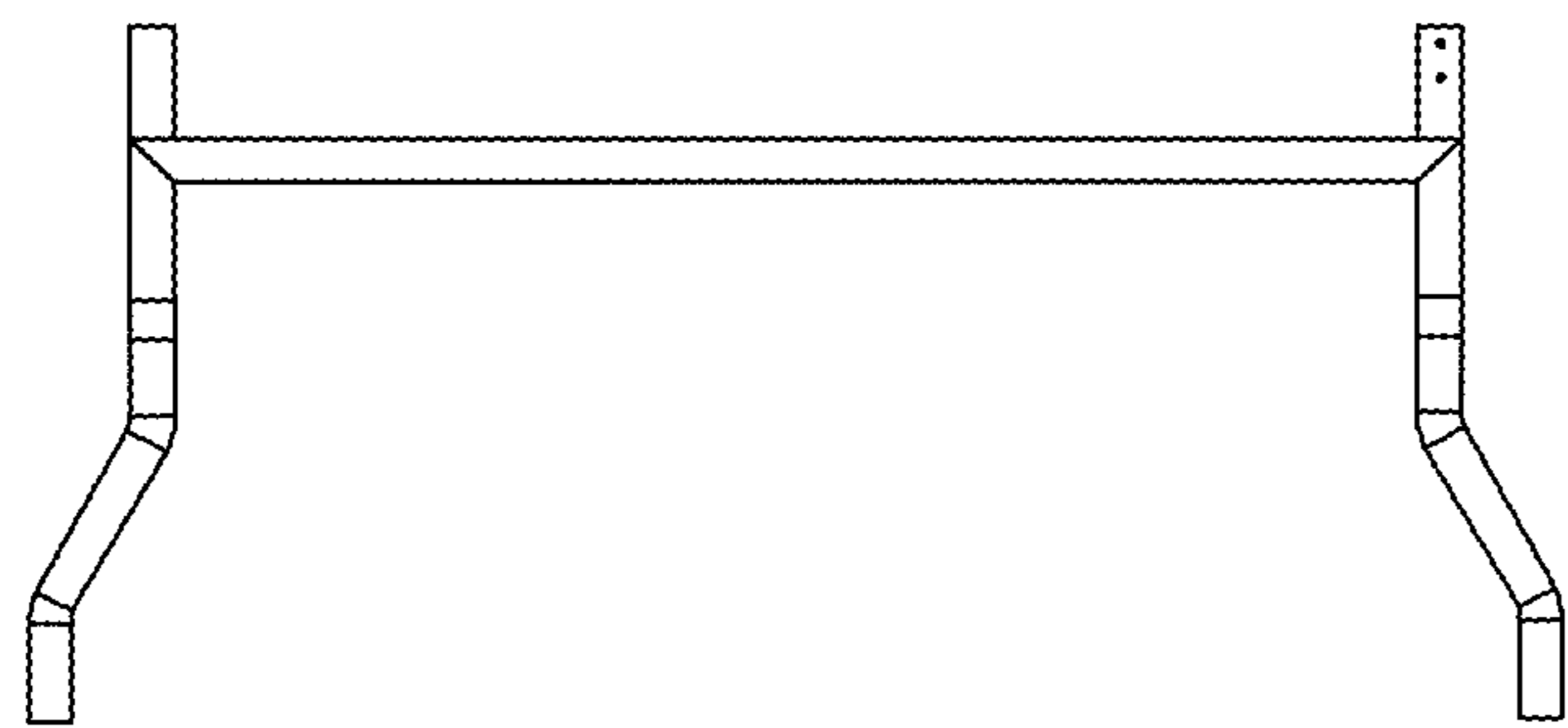


FIG. 5

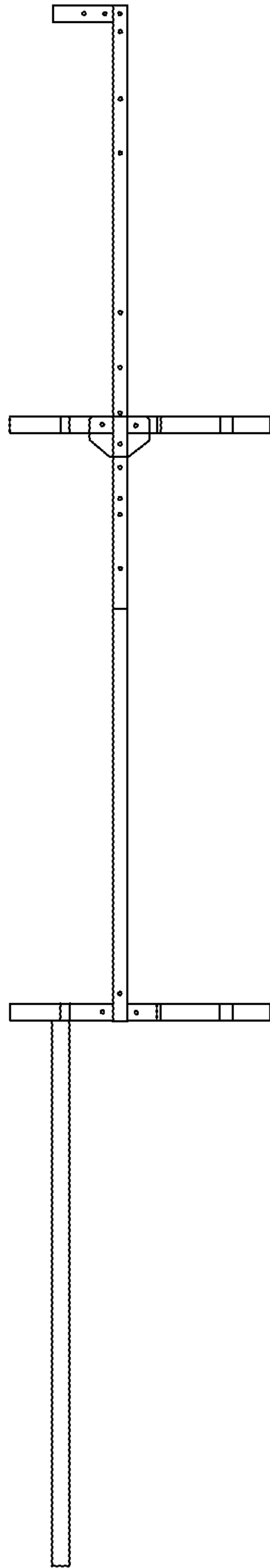


FIG. 6

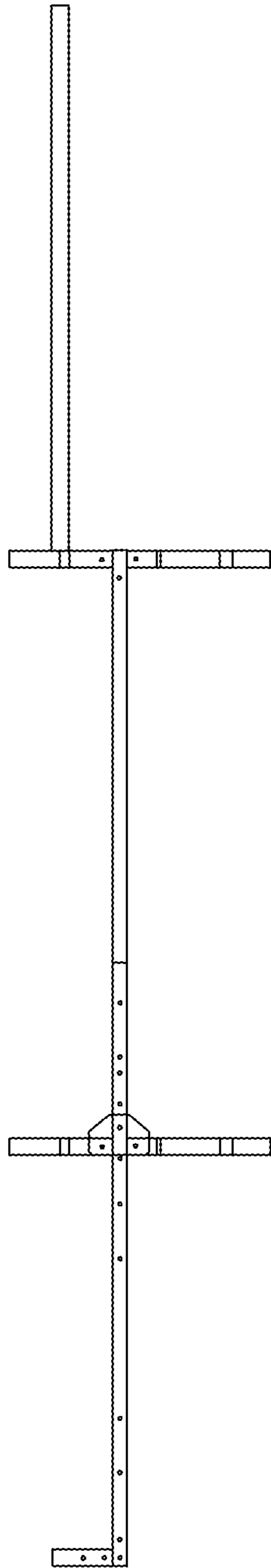


FIG. 7

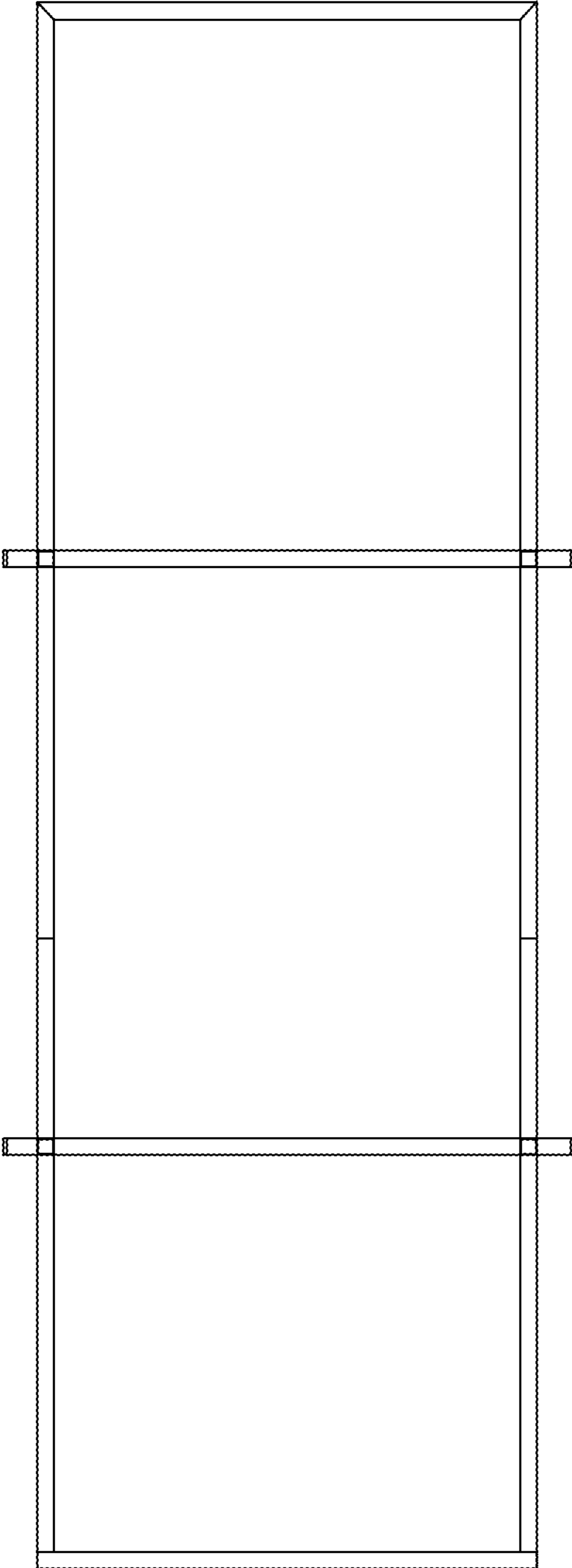


FIG. 8

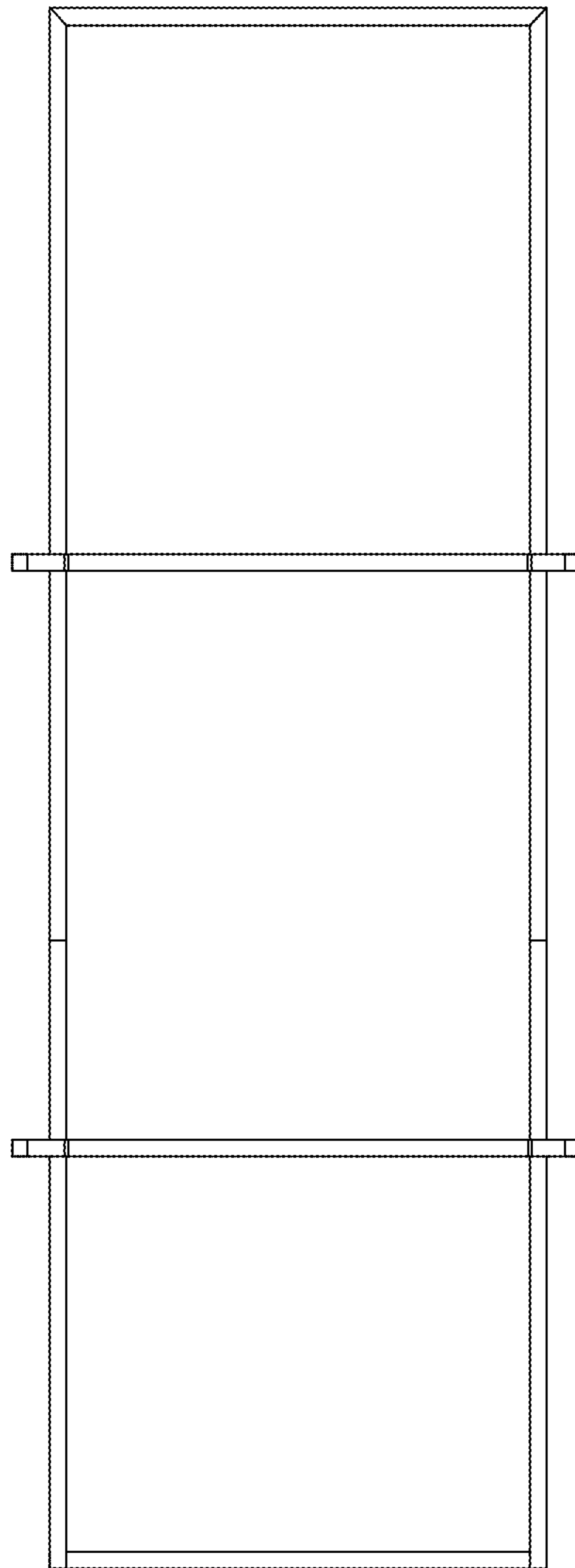


FIG. 9