



US00D874382S

(12) **United States Design Patent** (10) **Patent No.:** **US D874,382 S**  
**Wiegand** (45) **Date of Patent:** **\*\* Feb. 4, 2020**

(54) **AIRCRAFT**

(71) Applicant: **LILIUM GMBH**, Gilching (DE)

(72) Inventor: **Daniel Wiegand**, Munich (DE)

(73) Assignee: **LILIUM GMBH**, Gilching (DE)

(\*\*) Term: **15 Years**

(21) Appl. No.: **35/506,022**

(22) Filed: **May 15, 2018**

(80) **Hague Agreement Data**

Int. Filing Date: **Feb. 8, 2018**

Int. Reg. No.: **DM/101150**

Int. Reg. Date: **May 15, 2018**

Int. Reg. Pub. Date: **Nov. 16, 2018**

(51) **LOC (12) Cl.** ..... **12-07**

(52) **U.S. Cl.**  
USPC ..... **D12/341**

(58) **Field of Classification Search**  
USPC ..... D12/319, 326, 327, 328, 330, 332, 341  
CPC ..... B64C 29/0025; B64C 29/0075; B64C  
29/0033; B64C 39/12; B64C 29/005;  
B64C 29/0083

See application file for complete search history.

(56) **References Cited**

U.S. PATENT DOCUMENTS

2,459,009	A *	1/1949	Wallis .....	B64C 39/10 244/36
9,387,929	B2 *	7/2016	Gaillimore .....	B64C 29/0066
D816,583	S *	5/2018	Dutertre .....	D12/328
D824,804	S *	8/2018	Tian .....	D12/16.1
2016/0288903	A1 *	10/2016	Rothhaar .....	B64C 29/0033
2016/0311522	A1 *	10/2016	Wiegand .....	B64C 1/0009
2018/0065740	A1 *	3/2018	Vondrell .....	B64C 29/0033
2019/0233107	A1 *	8/2019	Tian .....	B64C 39/04

\* cited by examiner

*Primary Examiner* — Michael A. Pratt

(74) *Attorney, Agent, or Firm* — Rankin, Hill & Clark  
LLP

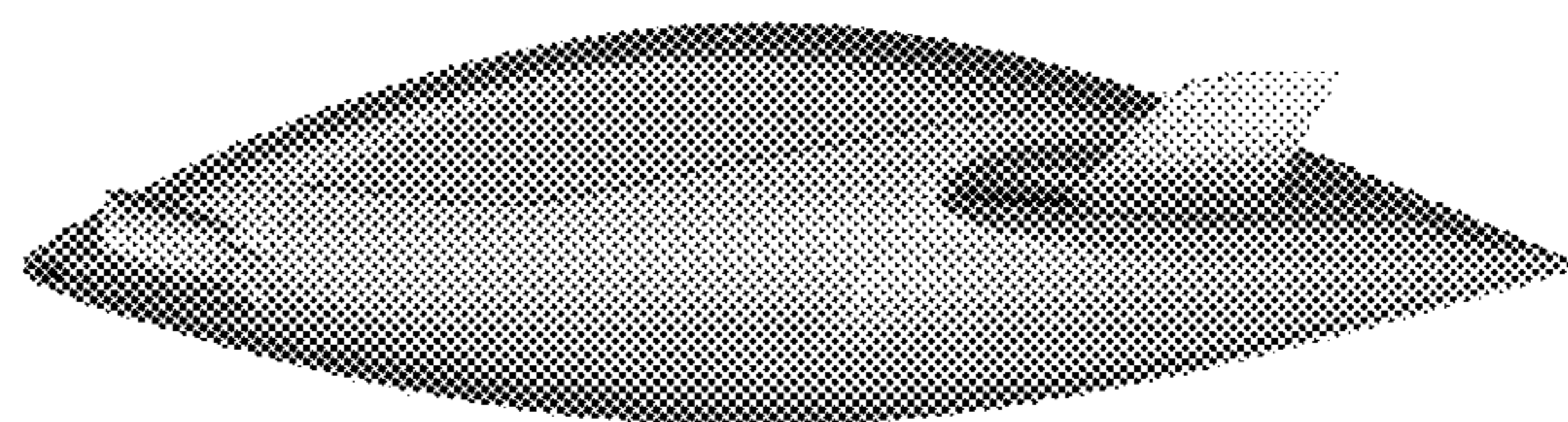
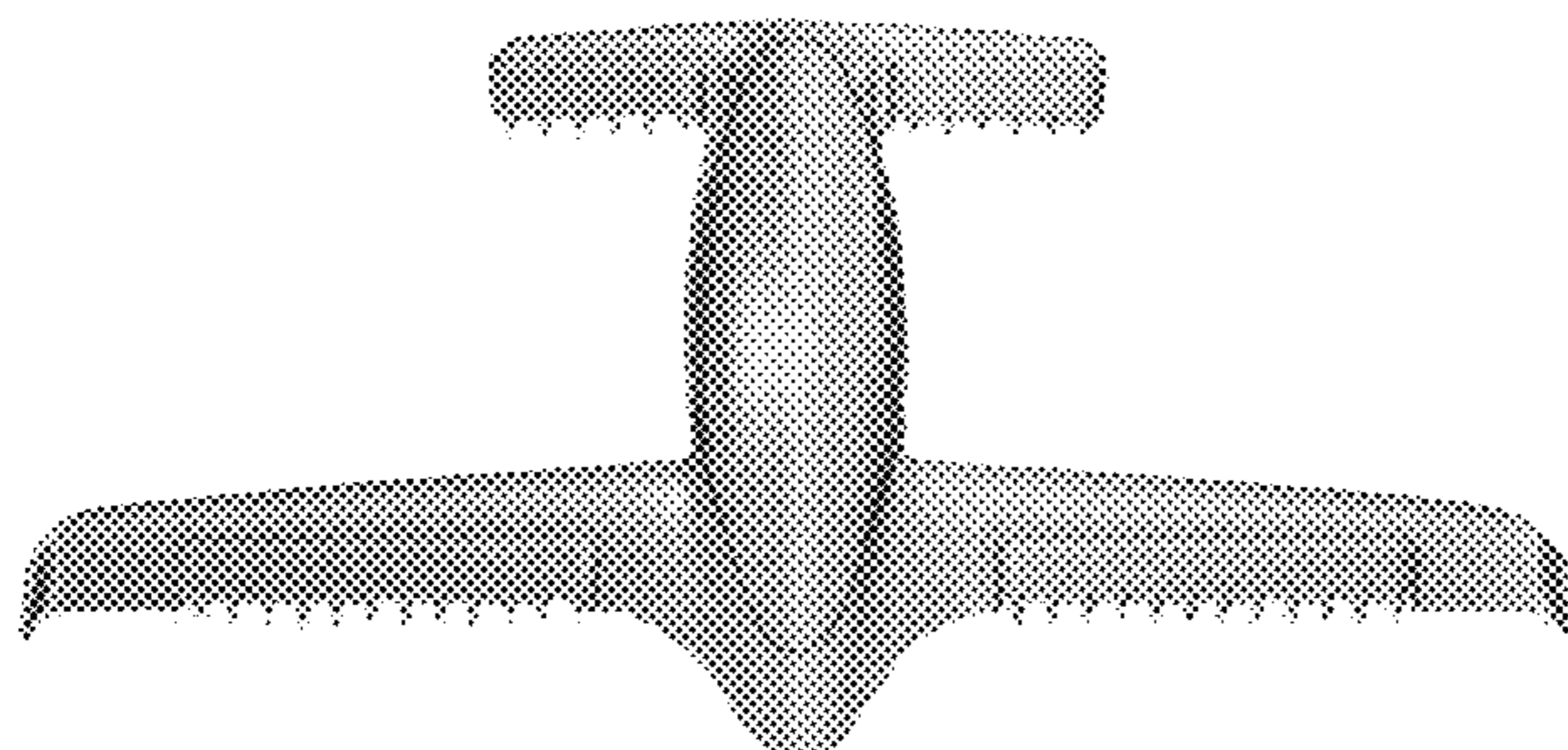
(57) **CLAIM**

The ornamental design for an aircraft, as shown and described.

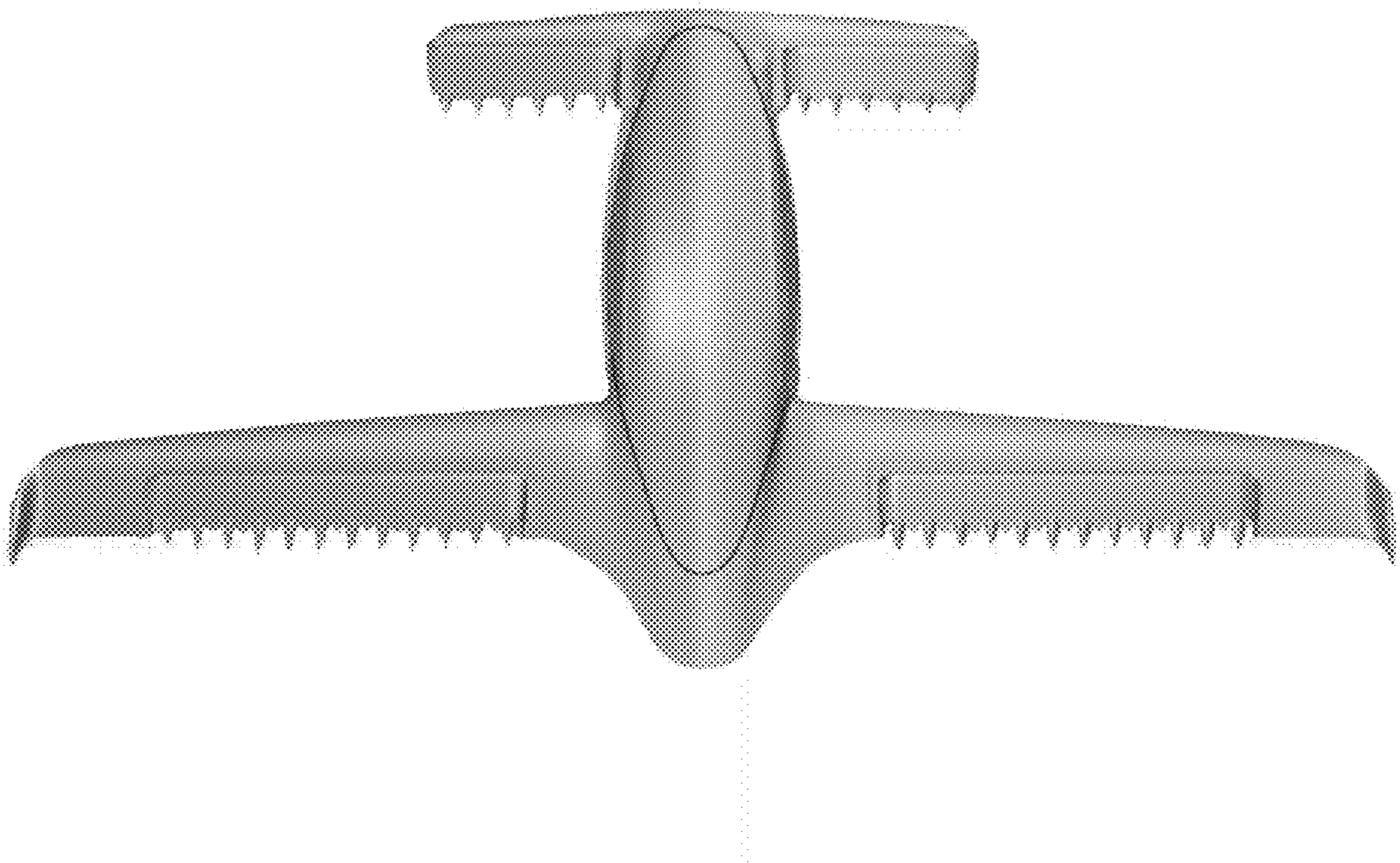
**DESCRIPTION**

FIG. 1.1 is a top view of an aircraft;  
FIG. 1.2 is a side view of the aircraft;  
FIG. 1.3 is a front view of the aircraft;  
FIG. 1.4 is a rear view of the aircraft.

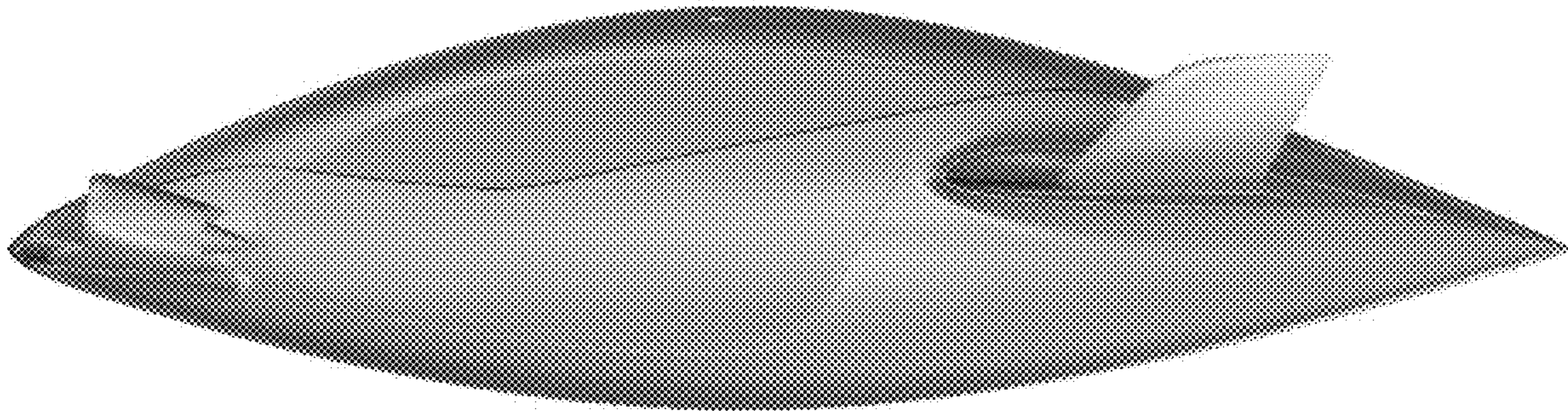
**1 Claim, 4 Drawing Sheets**



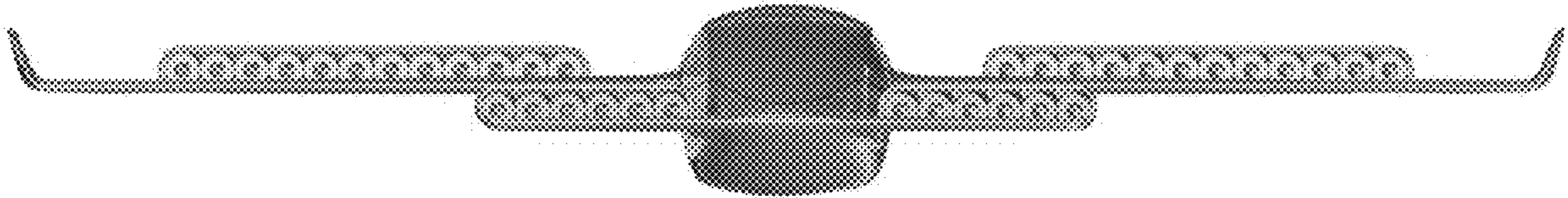
1.1



1.2



1.3



1.4

