



US00D874381S

(12) **United States Design Patent** (10) **Patent No.:** **US D874,381 S**
Harrah et al. (45) **Date of Patent:** **** Feb. 4, 2020**

(54) **JACK MOUNT**
(71) Applicant: **The Bloomfield Manufacturing Company, Inc.**, Bloomfield, IN (US)
(72) Inventors: **E. Austin Harrah**, Bloomfield, IN (US); **Robbie D. Hostetter**, Bloomfield, IN (US)
(73) Assignee: **The Bloomfield Manufacturing Company, Inc.**, Bloomfield, IN (US)
(**) Term: **15 Years**
(21) Appl. No.: **29/650,586**
(22) Filed: **Jun. 7, 2018**
(51) **LOC (12) Cl.** **12-06**
(52) **U.S. Cl.**
USPC **D12/223; D8/382**
(58) **Field of Classification Search**
USPC D12/223, 222, 114, 604, 406, 202, 400, D12/412, 415, 190; D8/71, 349, 354, D8/373, 380, 382, 394; D34/31, 28
CPC B66F 1/00; B66F 3/25; B66F 2700/00; B66F 2700/02; B66F 2700/025; B66F 7/28; B66F 2700/123; B66F 13/00; F21V 21/088; F21V 21/14111; F21S 8/036; B60Q 1/0408; B60Q 1/0416; B60Q 1/0433; B60Q 1/0441; B60Q 1/0483; B60Q 1/2661; B60Q 1/0017; B60Q 1/0088; B60Q 1/18; B60R 9/04; B60R 9/048; B60R 9/058
See application file for complete search history.

(56) **References Cited**
U.S. PATENT DOCUMENTS
D199,910 S * 12/1964 Greenberg D34/31
D260,235 S * 8/1981 Anderson D8/394
D299,775 S * 2/1989 Celette D34/28

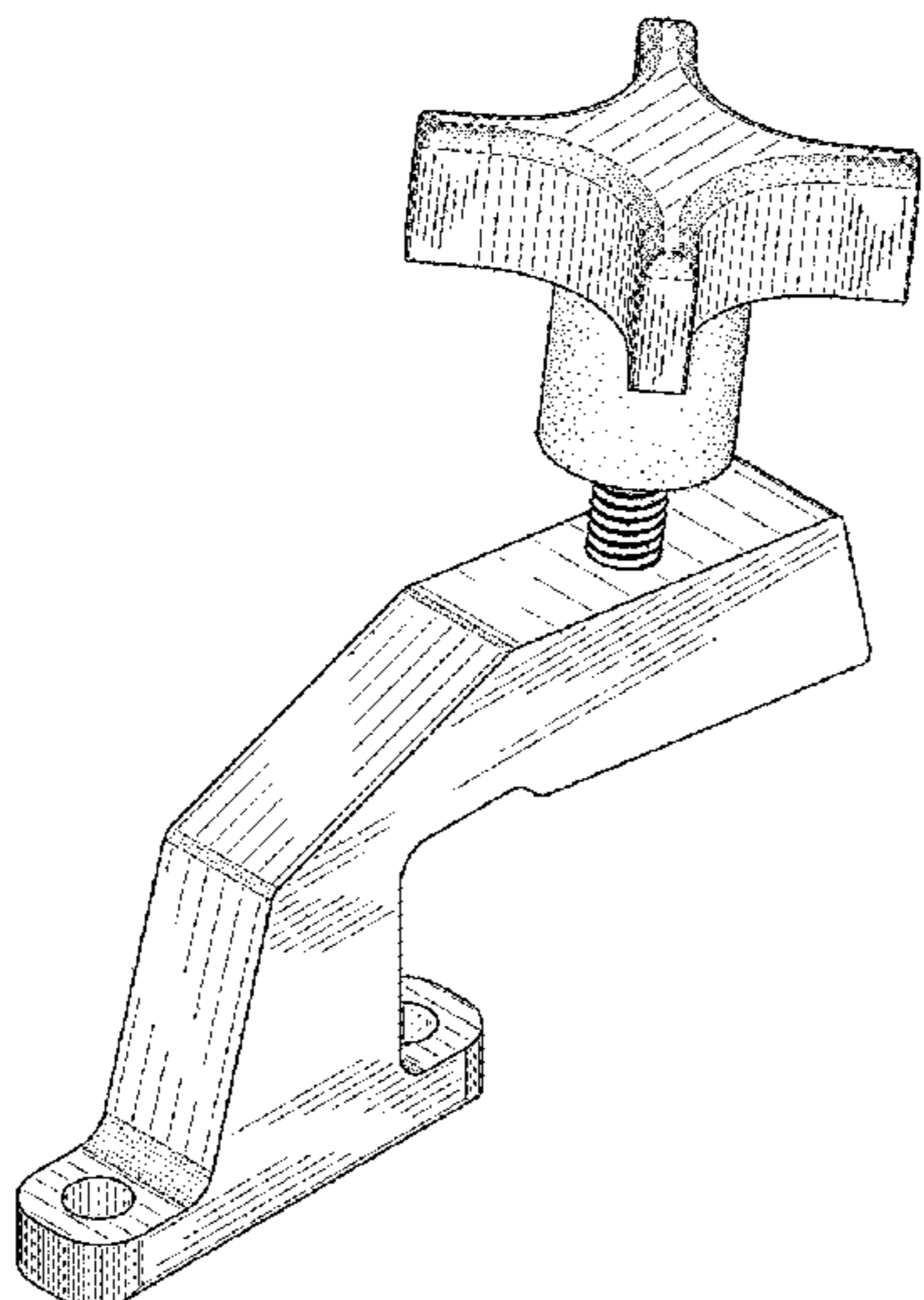
D324,286 S * 2/1992 Nudd D34/31
5,201,911 A * 4/1993 Lee B60R 9/045
224/309
D337,934 S * 8/1993 Young D8/355
D401,211 S * 11/1998 Simpson D12/223
D457,410 S * 5/2002 Von Fange D8/73
D491,795 S * 6/2004 Brass D8/382
D602,836 S * 10/2009 Simpson D12/223
D706,512 S * 6/2014 Harrah D34/31
D766,075 S * 9/2016 Milbank D8/394
D773,372 S * 12/2016 Badillo D12/223
D777,020 S * 1/2017 Zlatic D8/394
D816,577 S * 5/2018 Harrah D12/223
2015/0076300 A1 * 3/2015 Eboli B60Q 1/18
248/214
2016/0039350 A1 * 2/2016 Patel B60R 9/04
224/324
2016/0039351 A1 * 2/2016 Patel B60R 9/058
224/309
2017/0029043 A1 * 2/2017 Clark B60R 9/05
2018/0229646 A1 * 8/2018 Van Buren B60Q 1/0088

* cited by examiner
Primary Examiner — Sandra S Snapp
Assistant Examiner — Ieisha N Price
(74) *Attorney, Agent, or Firm* — Ice Miller LLP

(57) **CLAIM**
The ornamental design for a jack bracket, as shown and described.

DESCRIPTION
FIG. 1 is a rear side perspective view of a jack bracket, showing our new design;
FIG. 2 is a front side perspective view thereof;
FIG. 3 is a top plan view thereof;
FIG. 4 is a bottom plan view thereof;
FIG. 5 is a left side elevational view thereof;
FIG. 6 is a right side elevational view thereof;
FIG. 7 is a rear elevational view thereof; and,
FIG. 8 is a front elevational view thereof.

1 Claim, 8 Drawing Sheets



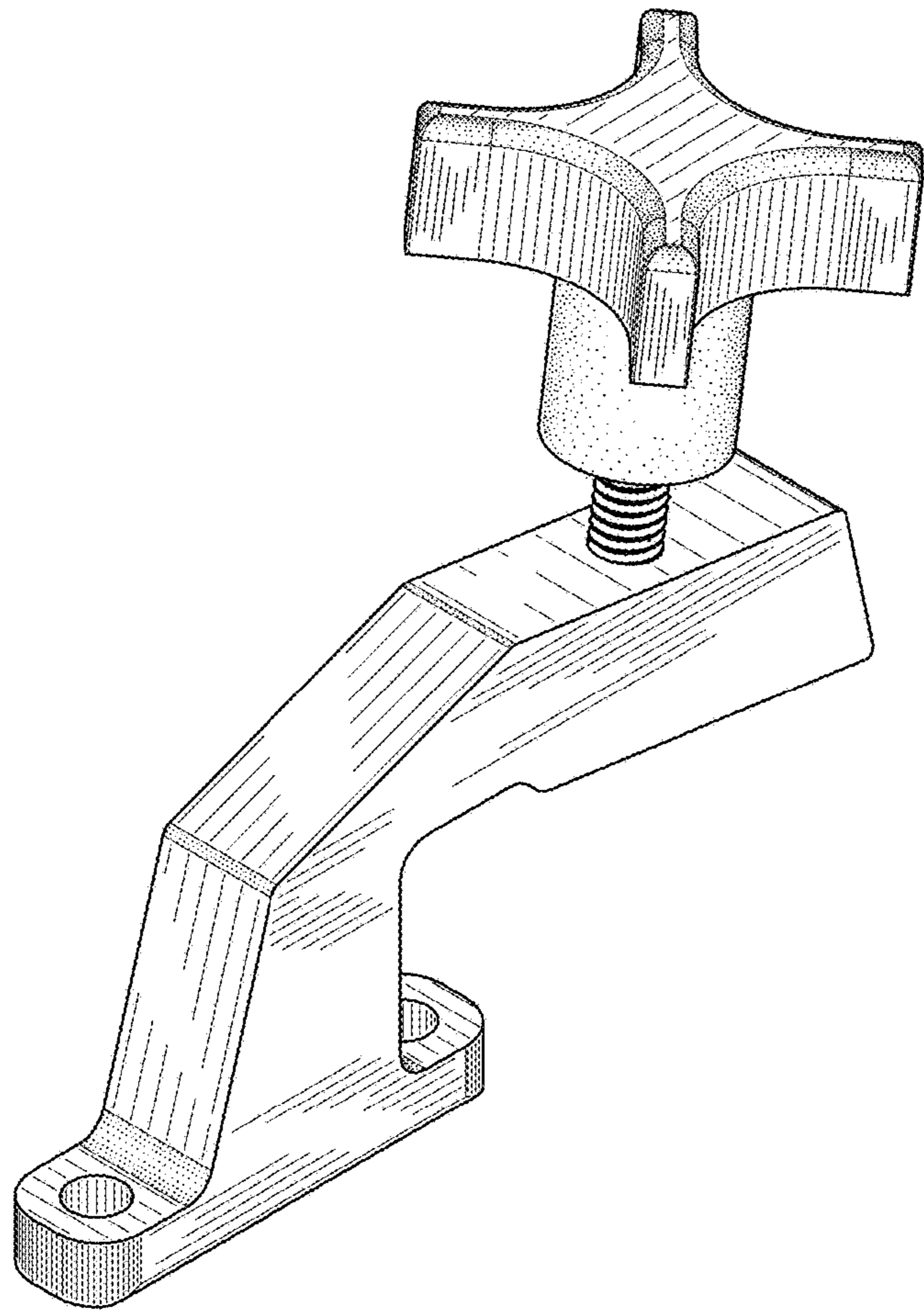


Fig. 1

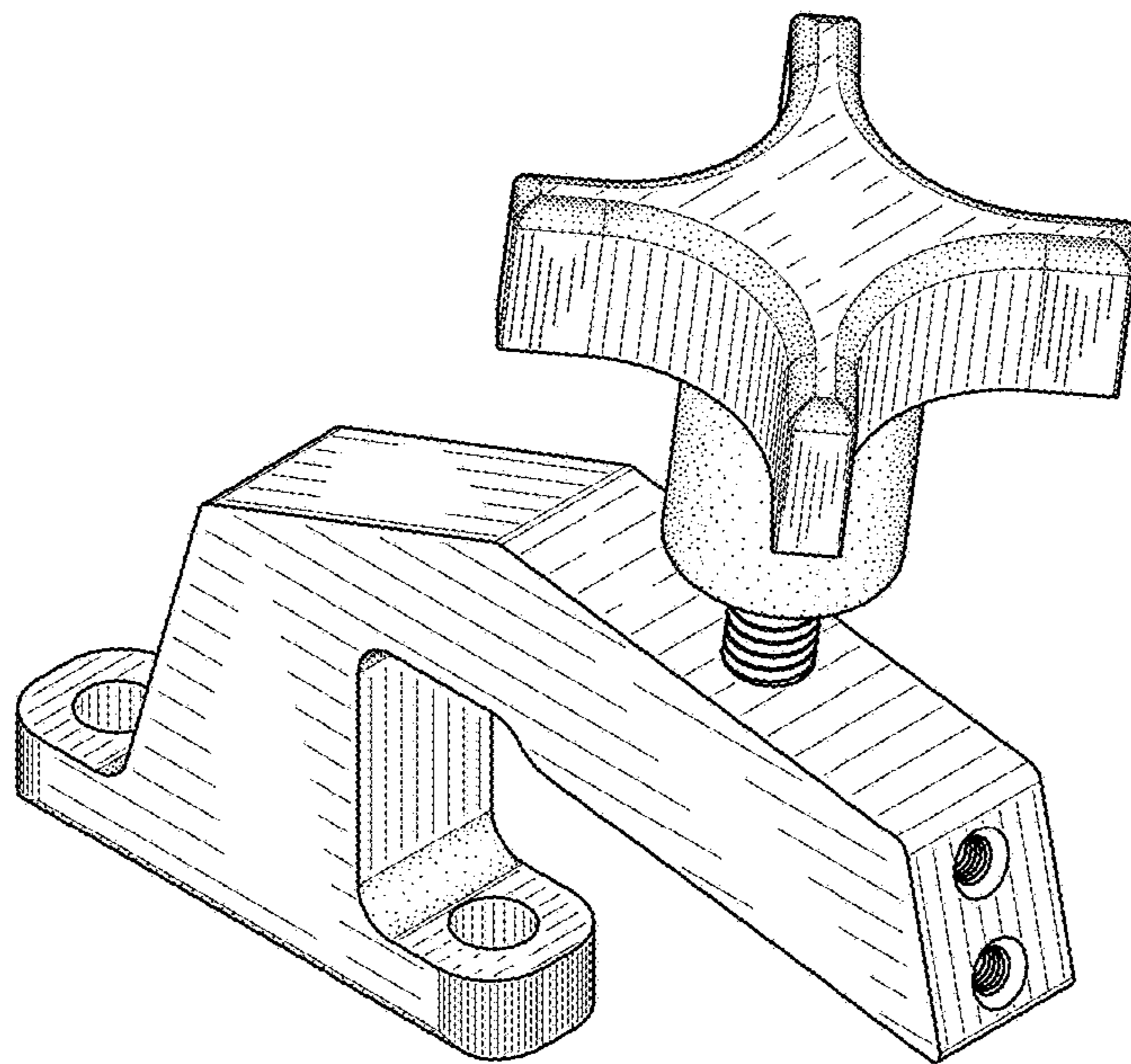


Fig. 2

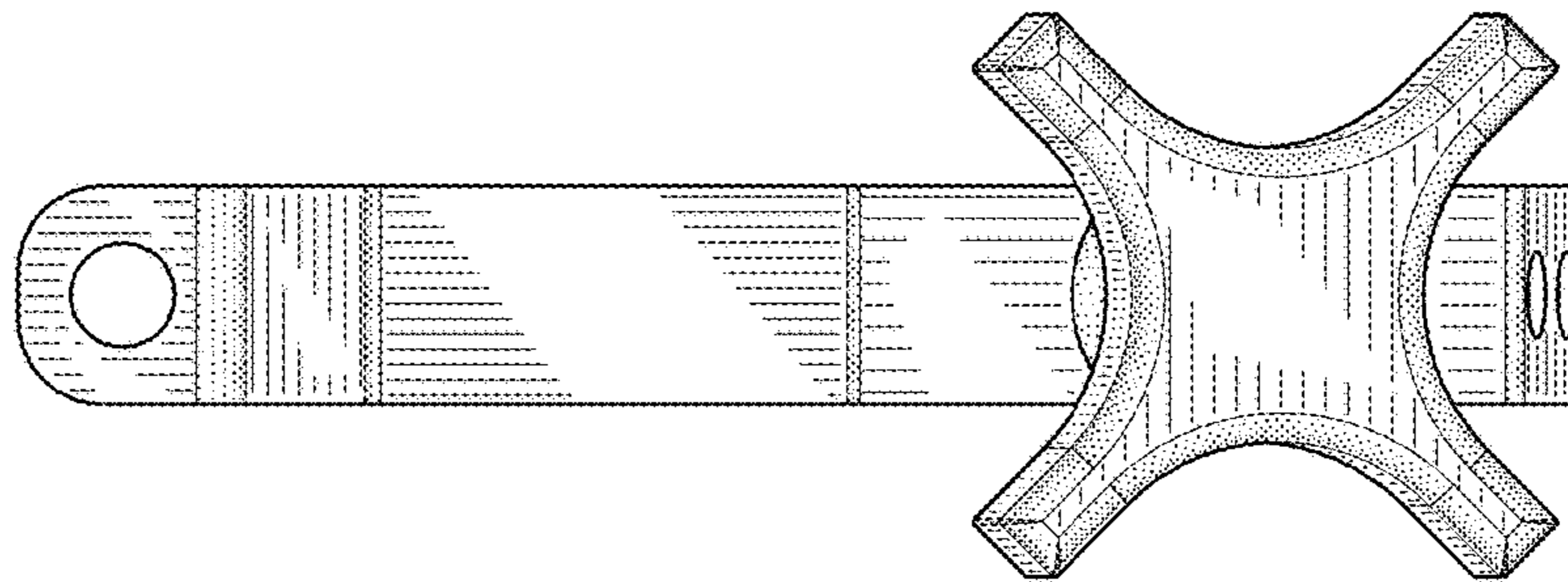


Fig. 3

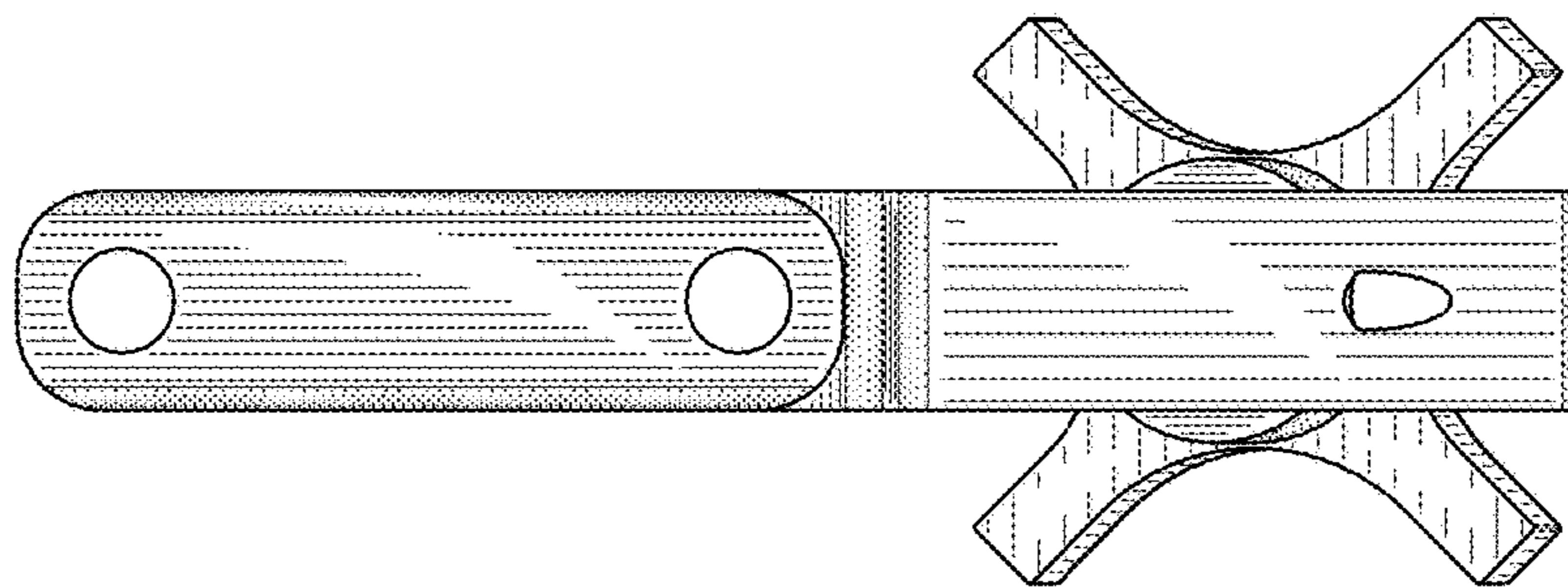


Fig. 4

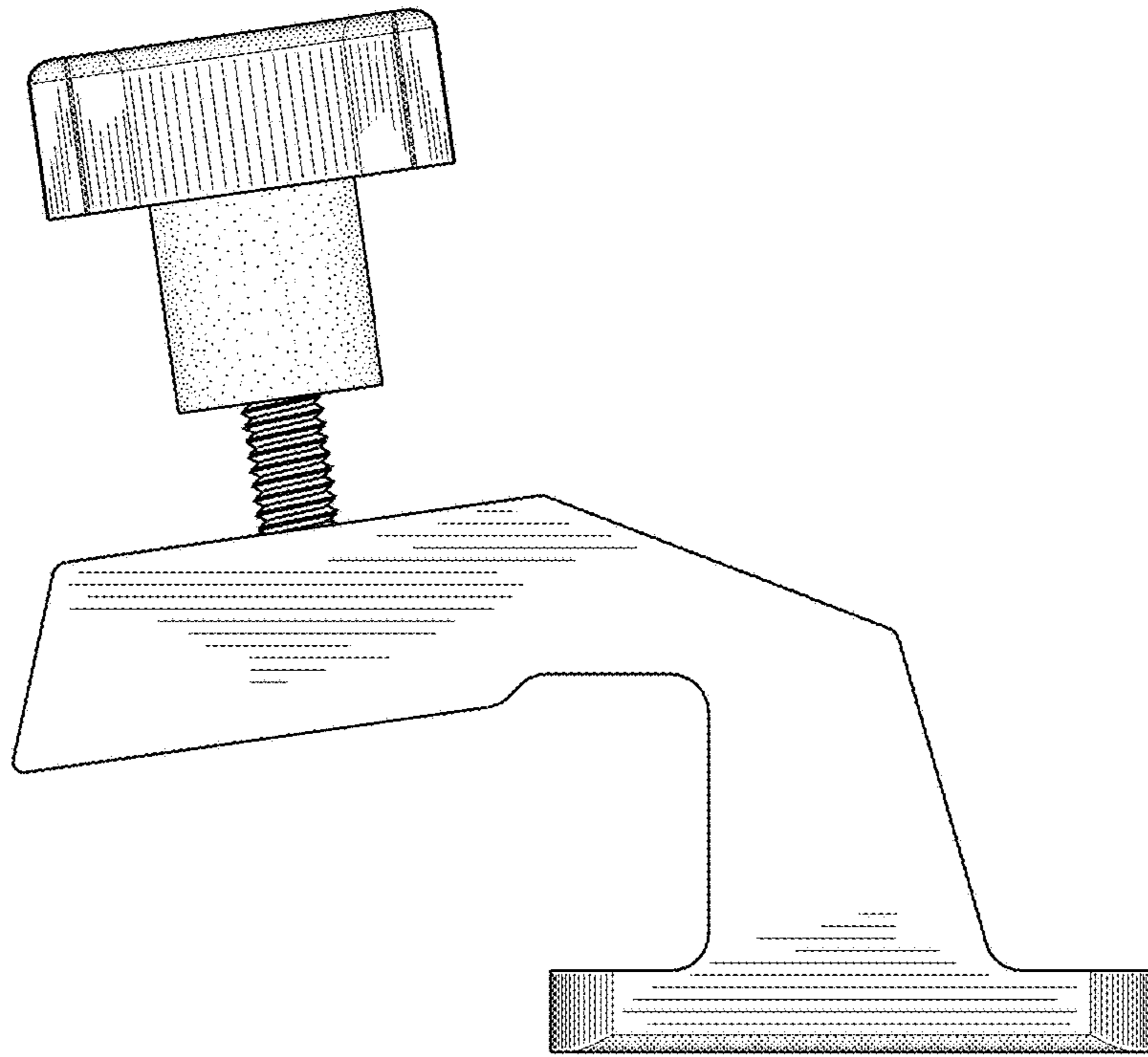


Fig. 5

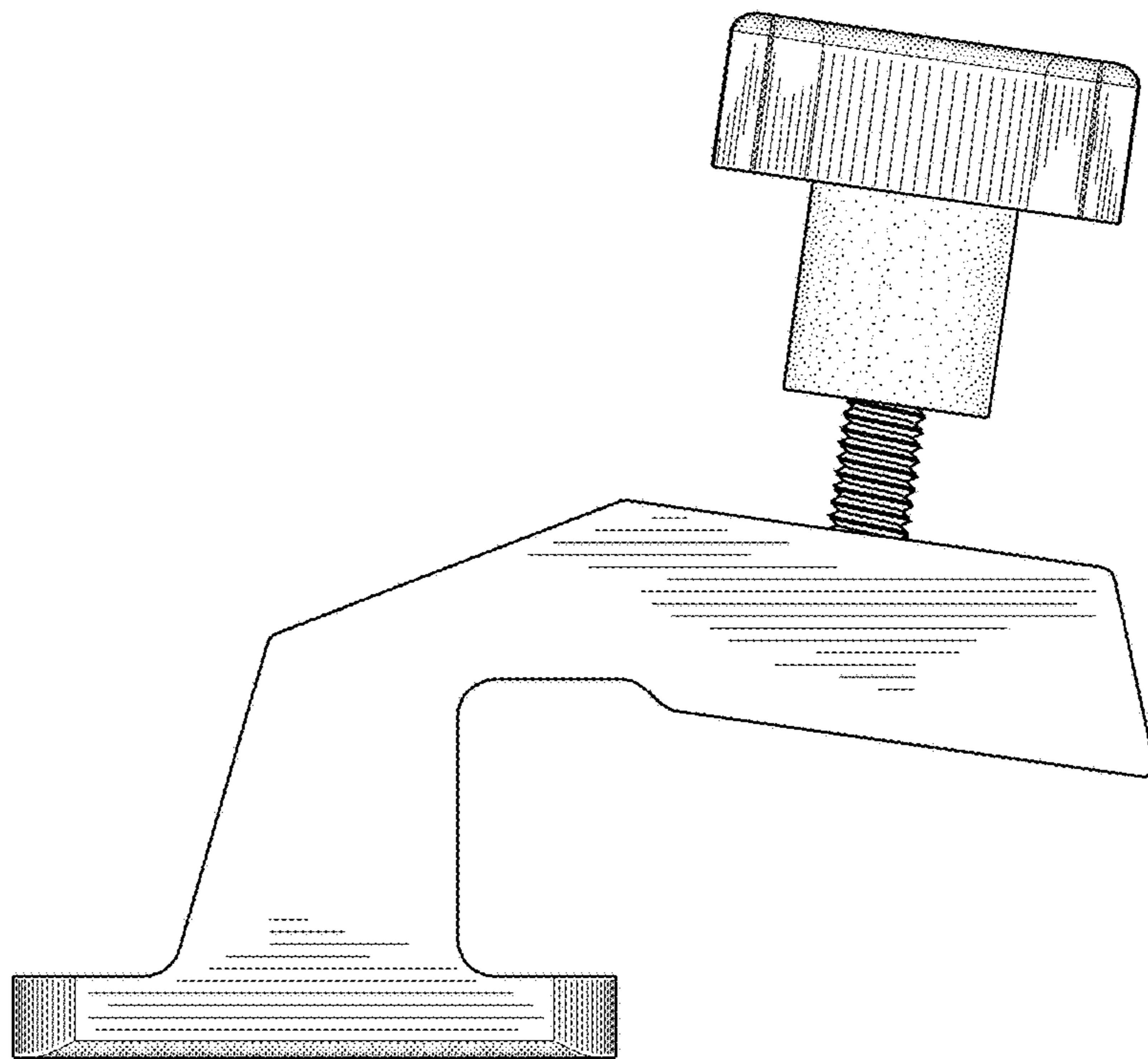


Fig. 6

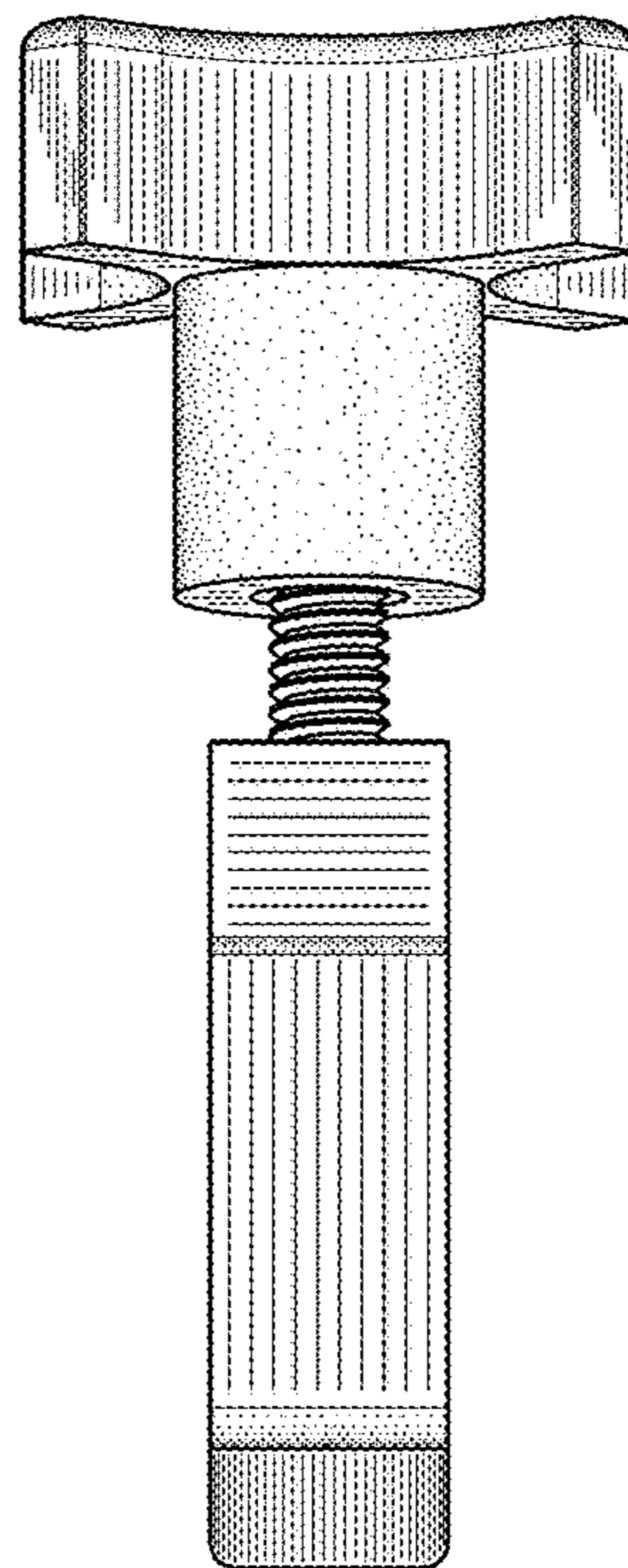


Fig. 7

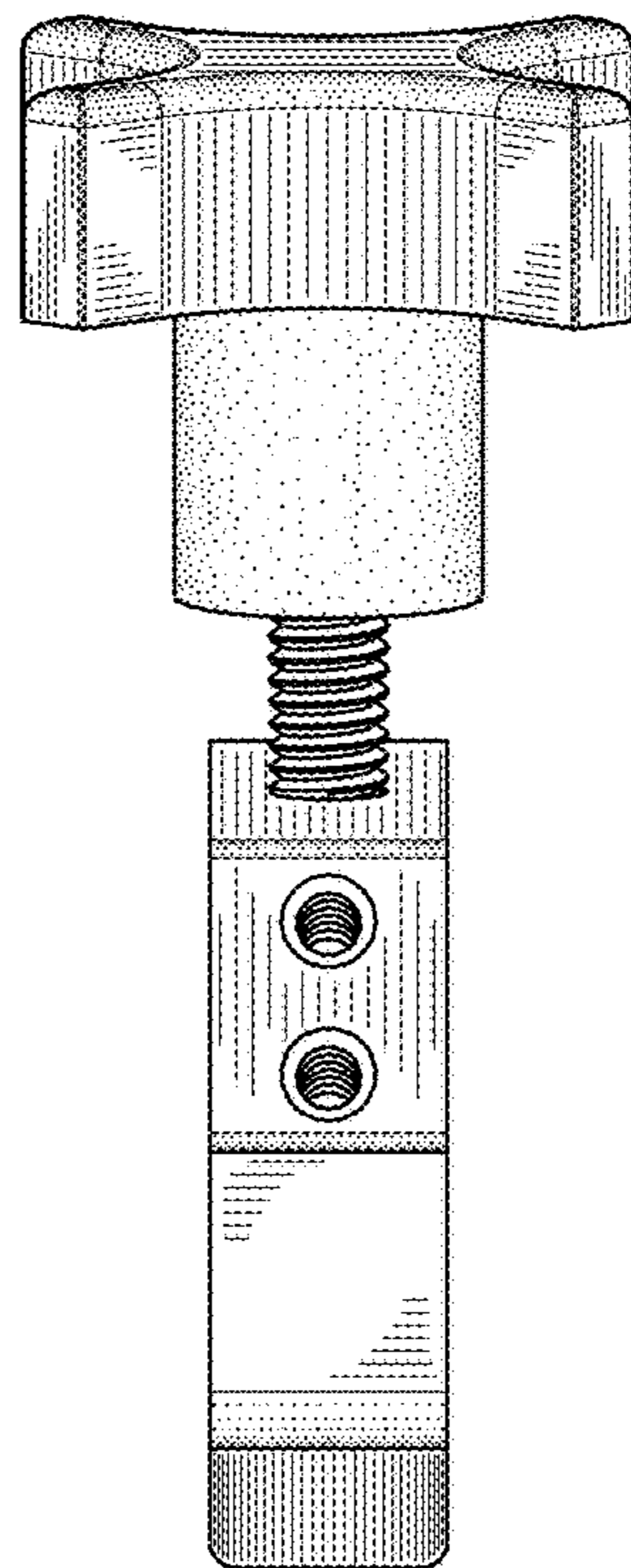


Fig. 8