



US00D874380S

(12) **United States Design Patent** (10) **Patent No.:** **US D874,380 S**  
**Harrah et al.** (45) **Date of Patent:** **\*\* Feb. 4, 2020**

(54) **JACK MOUNT**  
(71) Applicant: **The Bloomfield Manufacturing Company, Inc.**, Bloomfield, IN (US)  
(72) Inventors: **E. Austin Harrah**, Bloomfield, IN (US); **Robbie D. Hostetter**, Bloomfield, IN (US)  
(73) Assignee: **The Bloomfield Manufacturing Company, Inc.**, Bloomfield, IN (US)  
(\*\*) Term: **15 Years**  
(21) Appl. No.: **29/650,584**  
(22) Filed: **Jun. 7, 2018**  
(51) **LOC (12) Cl.** ..... **12-06**  
(52) **U.S. Cl.**  
USPC ..... **D12/223; D8/382**  
(58) **Field of Classification Search**  
USPC ..... D12/223, 222, 114, 604, 406, 202, 400, D12/412, 415, 190; D8/71, 349, 354, D8/373, 380, 382, 394; D34/31, 28  
CPC ..... B66F 1/00; B66F 3/25; B66F 2700/00; B66F 2700/02; B66F 2700/025; B66F 7/28; B66F 2700/123; B66F 13/00; F21V 21/088; F21V 21/14111; F21S 8/036; B60Q 1/0408; B60Q 1/0416; B60Q 1/0433; B60Q 1/0441; B60Q 1/0483; B60Q 1/2661; B60Q 1/0017; B60Q 1/0088; B60Q 1/18; B60R 9/04; B60R 9/048; B60R 9/058  
See application file for complete search history.

D324,286 S \* 2/1992 Nudd ..... D34/31  
5,201,911 A \* 4/1993 Lee ..... B60R 9/045  
224/309  
D337,934 S \* 8/1993 Young ..... D8/355  
D401,211 S \* 11/1998 Simpson ..... D12/223  
D457,410 S \* 5/2002 Von Fange ..... D8/73  
D491,795 S \* 6/2004 Brass ..... D8/382  
D602,836 S \* 10/2009 Simpson ..... D12/223  
D706,512 S \* 6/2014 Harrah ..... D34/31  
D766,075 S \* 9/2016 Milbank ..... D8/394  
D773,372 S \* 12/2016 Badillo ..... D12/223  
D777,020 S \* 1/2017 Zlatic ..... D8/394  
D816,577 S \* 5/2018 Harrah ..... D12/223  
2015/0076300 A1 \* 3/2015 Eboli ..... B60Q 1/18  
248/214  
2016/0039350 A1 \* 2/2016 Patel ..... B60R 9/04  
224/324  
2016/0039351 A1 \* 2/2016 Patel ..... B60R 9/058  
224/309  
2017/0029043 A1 \* 2/2017 Clark ..... B60R 9/05  
2018/0229646 A1 \* 8/2018 Van Buren ..... B60Q 1/0088

\* cited by examiner

*Primary Examiner* — Sandra S Snapp  
*Assistant Examiner* — Ieisha N Price  
(74) *Attorney, Agent, or Firm* — Ice Miller LLP

(57) **CLAIM**

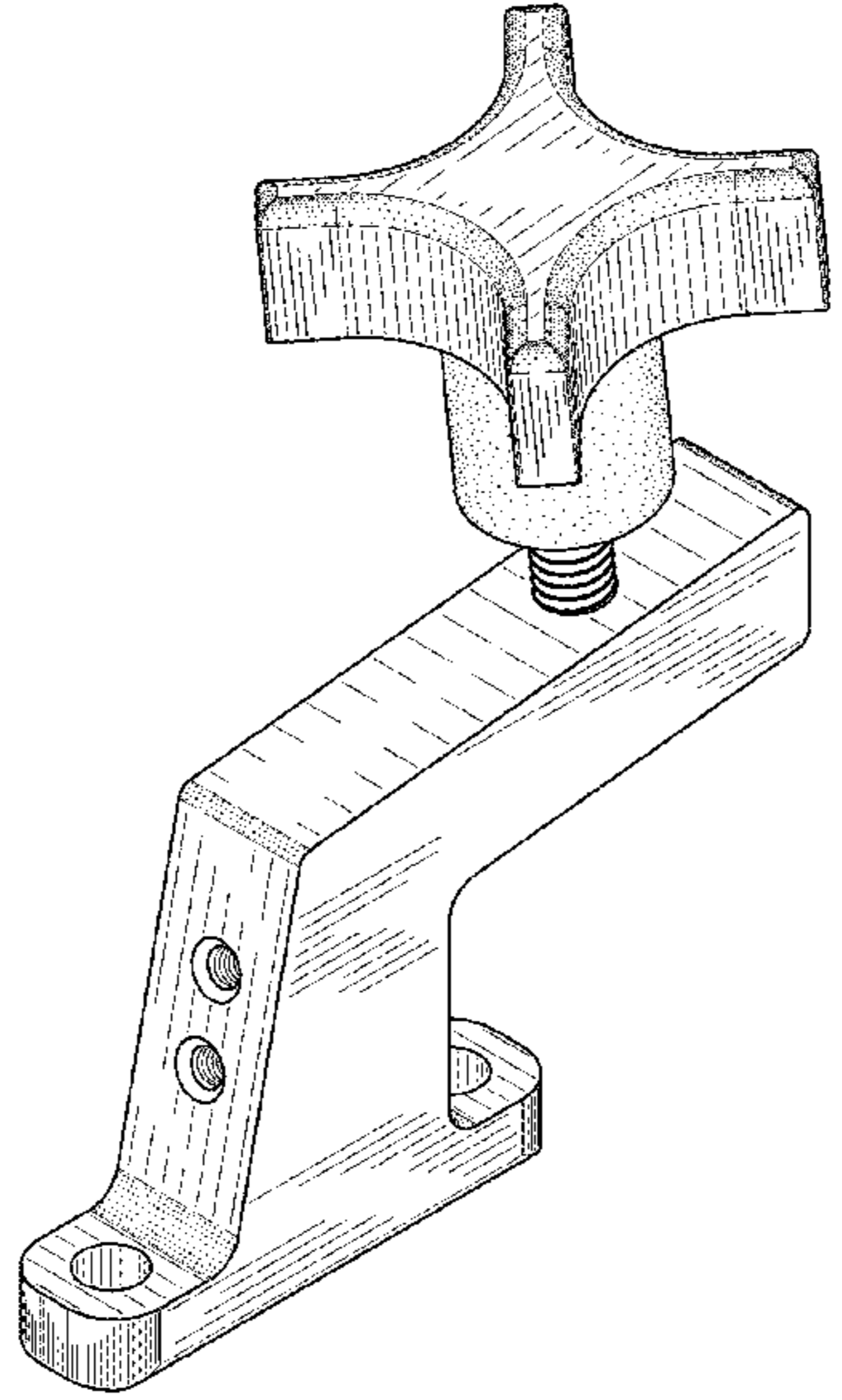
The ornamental design for a jack mount, as shown and described.

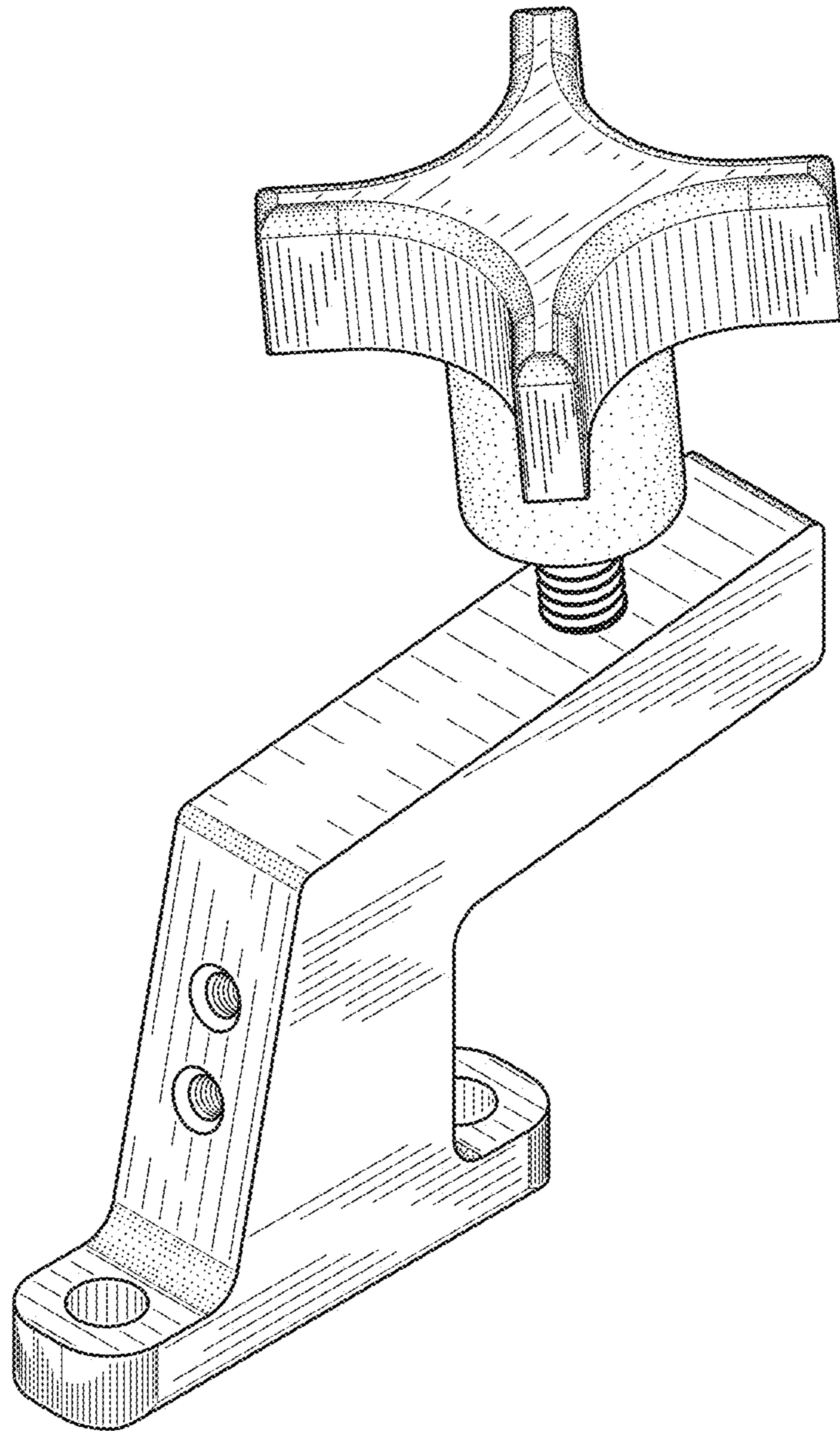
**DESCRIPTION**

FIG. 1 is a rear side perspective view of a jack mount, showing our new design;  
FIG. 2 is a front side perspective view thereof;  
FIG. 3 is a top plan view thereof;  
FIG. 4 is a bottom plan view thereof;  
FIG. 5 is a left side elevational view thereof;  
FIG. 6 is a right side elevational view thereof;  
FIG. 7 is a rear elevational view thereof; and,  
FIG. 8 is a front elevational view thereof.

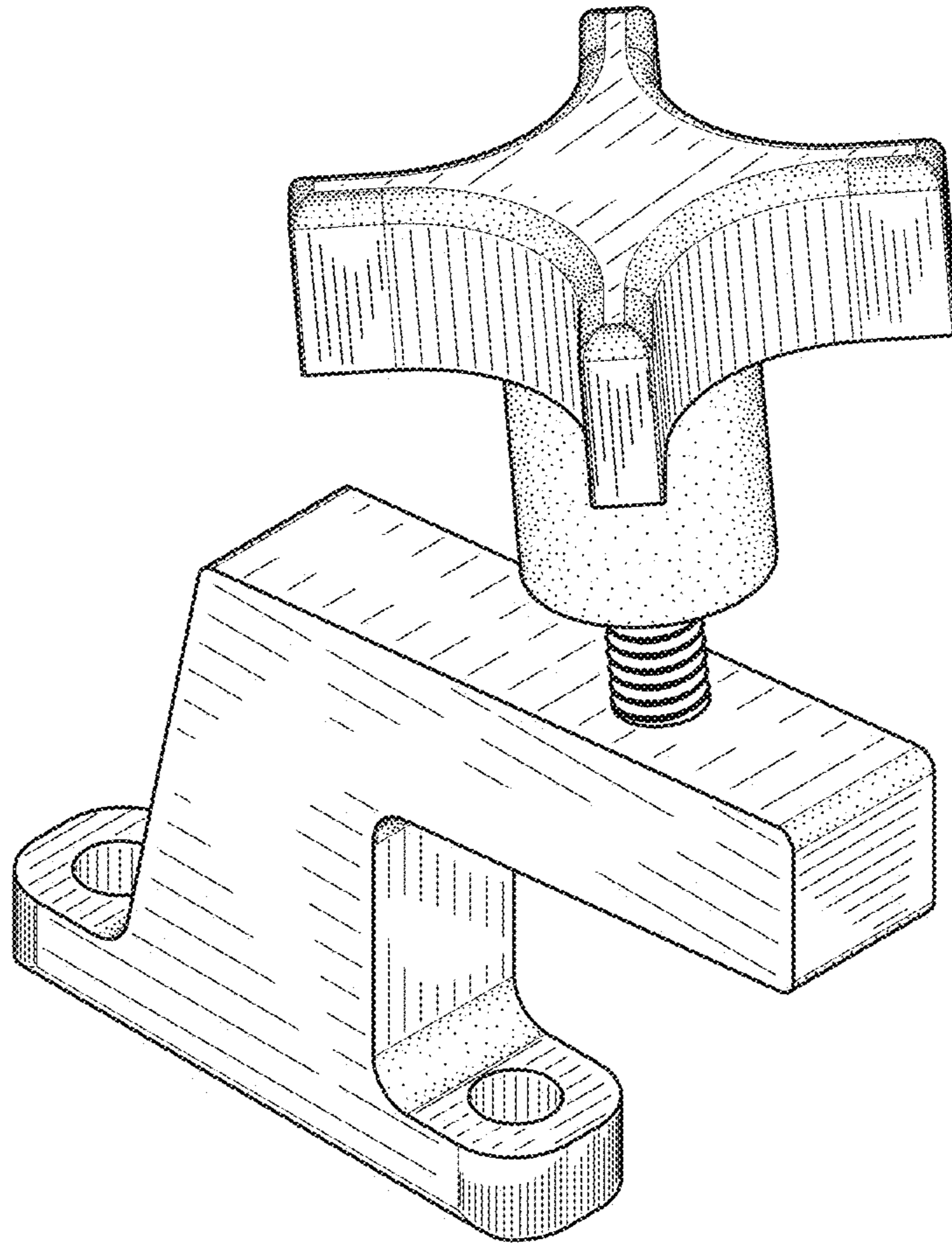
**1 Claim, 8 Drawing Sheets**

(56) **References Cited**  
U.S. PATENT DOCUMENTS  
D199,910 S \* 12/1964 Greenberg ..... D34/31  
D260,235 S \* 8/1981 Anderson ..... D8/394  
D299,775 S \* 2/1989 Celette ..... D34/28

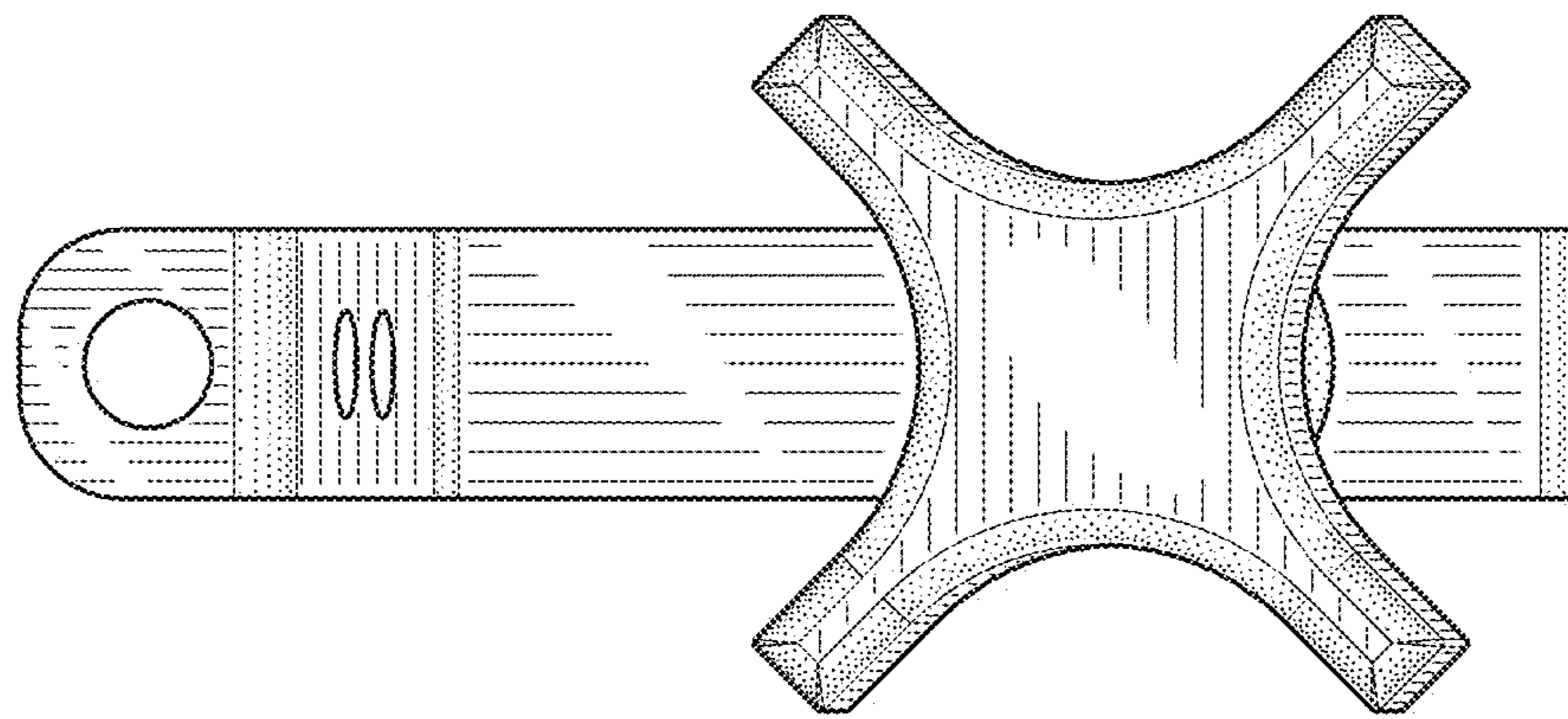




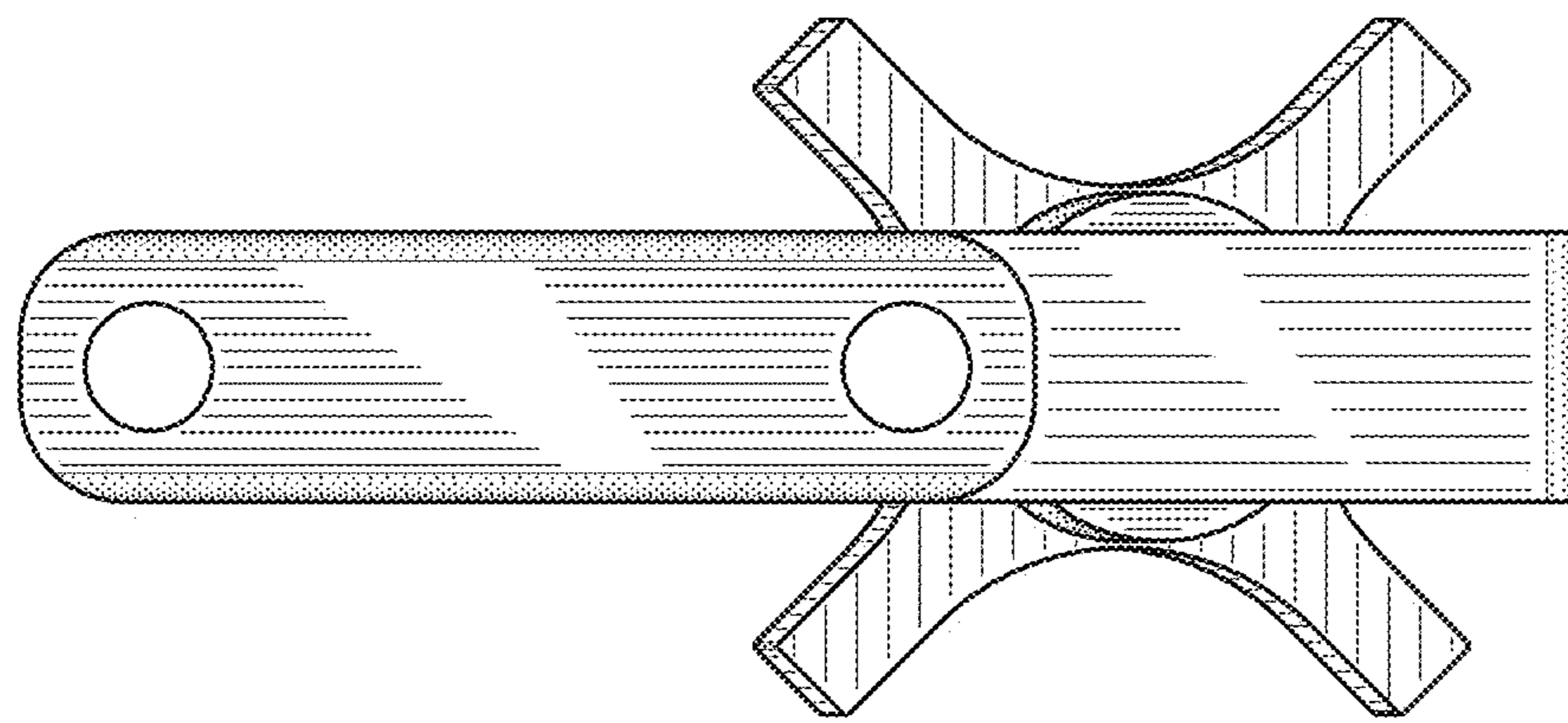
**Fig. 1**



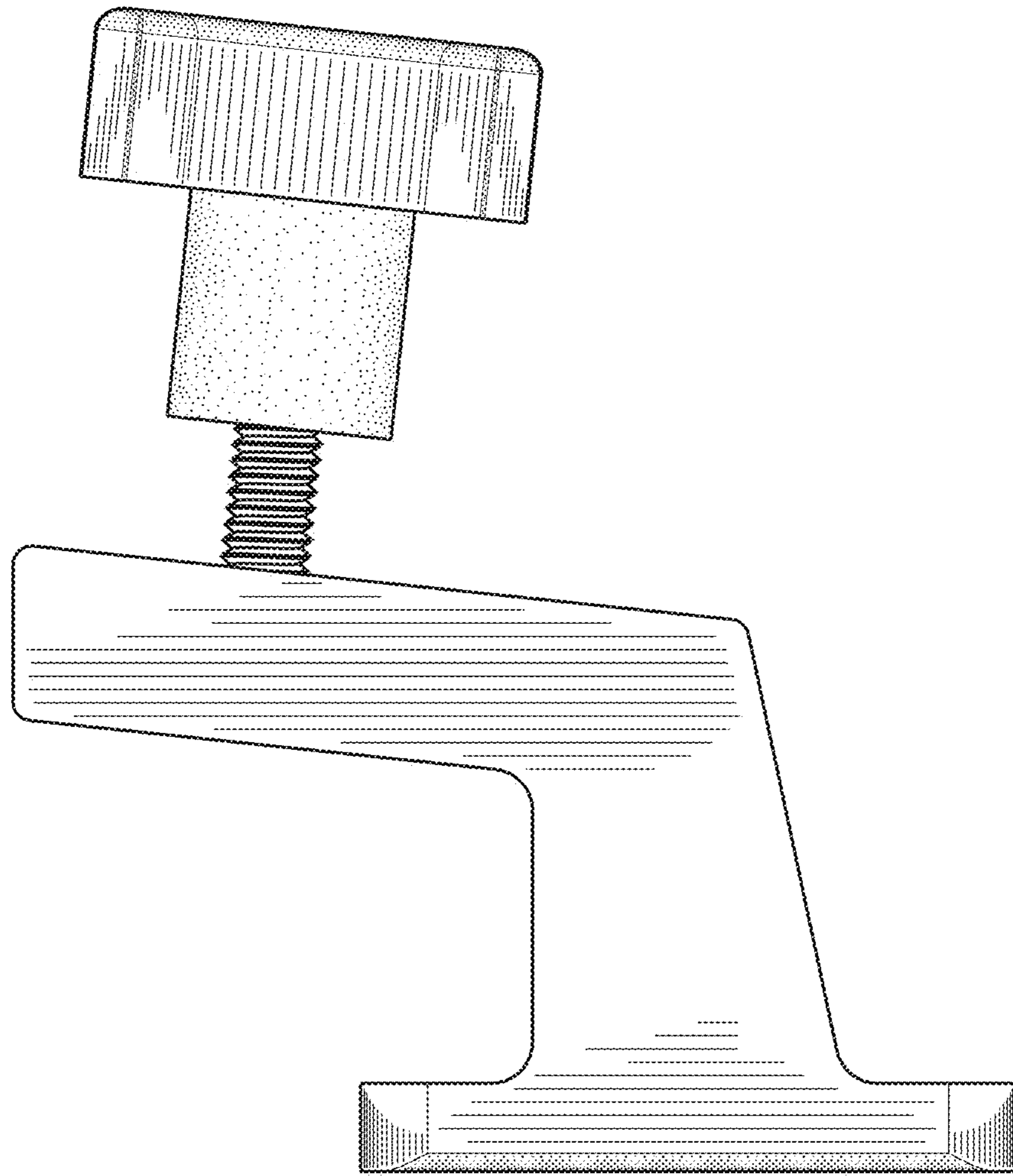
**Fig. 2**



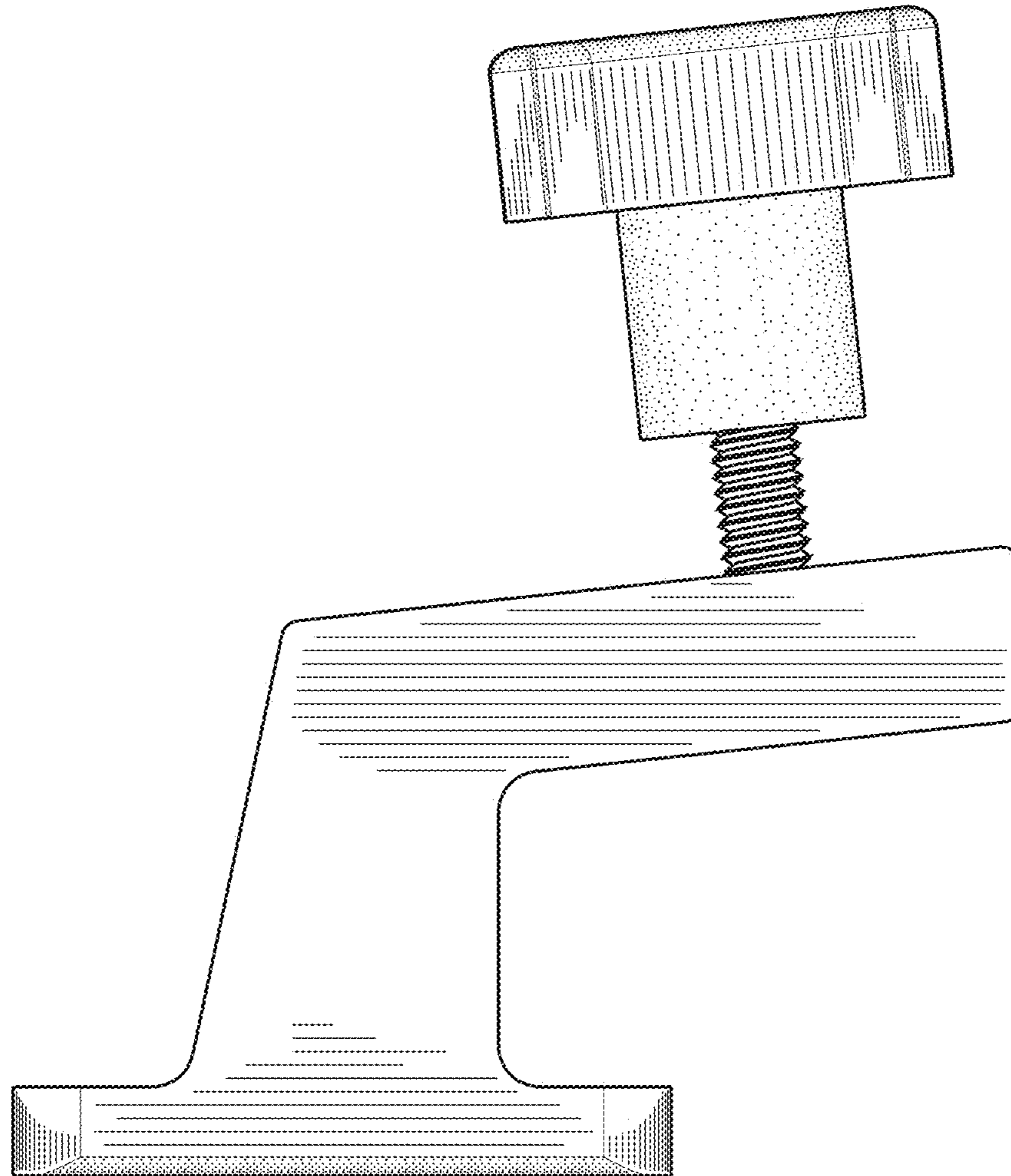
***Fig. 3***



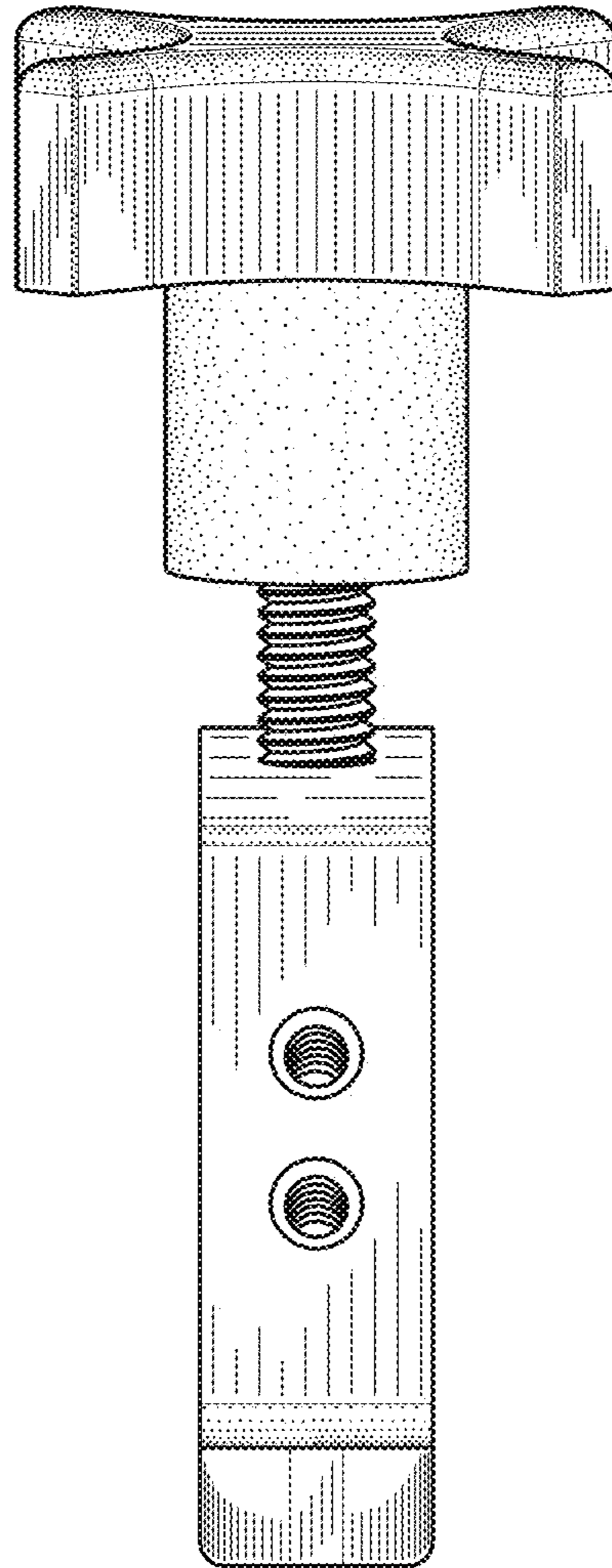
***Fig. 4***



**Fig. 5**

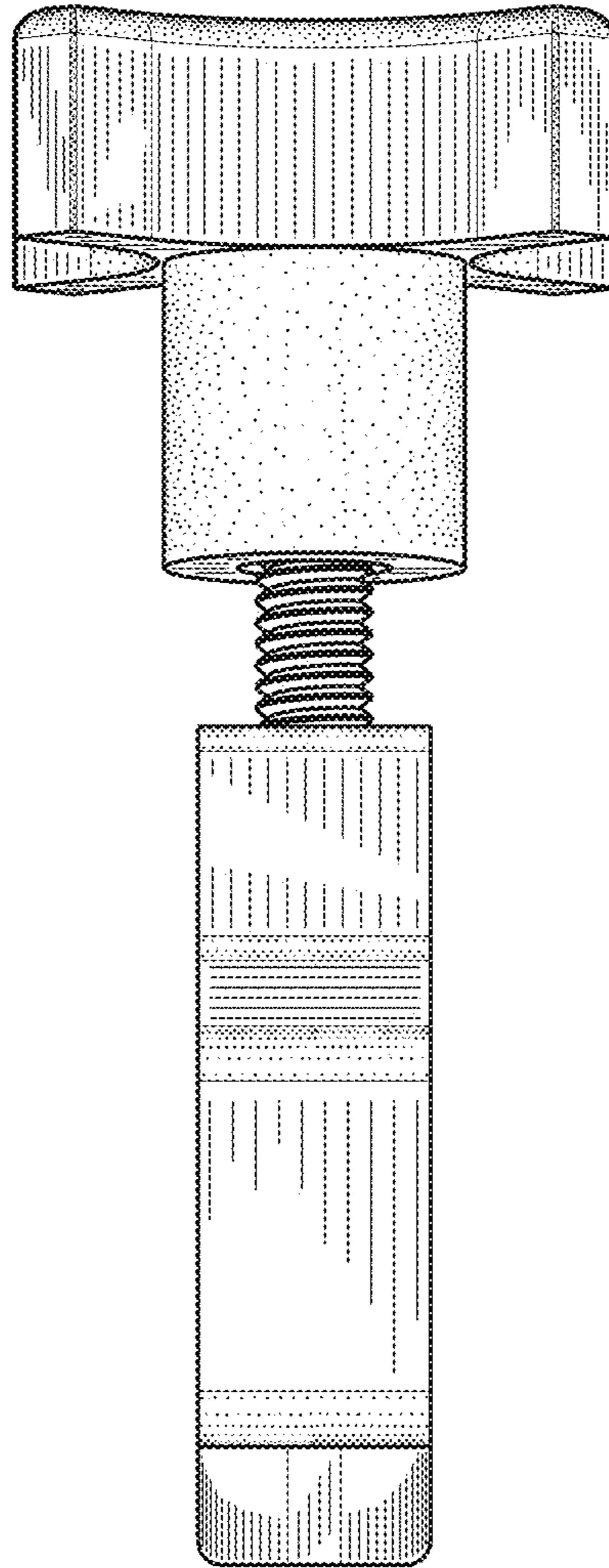


**Fig. 6**



**Fig. 7**





**Fig. 8**