



US00D874377S

(12) **United States Design Patent**  
**Lemke**

(10) **Patent No.:** **US D874,377 S**

(45) **Date of Patent:** **\*\* Feb. 4, 2020**

(54) **VEHICLE WHEEL RIM**

(71) Applicant: **AUDI AG**, Ingolstadt (DE)

(72) Inventor: **Peter Lemke**, Ingolstadt (DE)

(73) Assignee: **AUDI AG**, Ingolstadt (DE)

(\*\*) Term: **15 Years**

(21) Appl. No.: **29/669,590**

(22) Filed: **Nov. 9, 2018**

(30) **Foreign Application Priority Data**

May 25, 2018 (EM) ..... 005 282 084

(51) **LOC (12) Cl.** ..... **12-16**

(52) **U.S. Cl.**  
USPC ..... **D12/209**

(58) **Field of Classification Search**  
USPC ..... D12/204–213  
CPC .... B60B 7/00; B60B 7/02; B60B 7/04; B60B 7/01; B60B 7/06; B60B 3/02; B60B 3/04; B60B 3/06; B60B 3/10; B60B 1/00; B60B 1/08; B60B 1/10; B60B 1/12  
See application file for complete search history.

(56) **References Cited**

U.S. PATENT DOCUMENTS

D504,647 S *	5/2005	Leclercq	.....	D12/209
D506,967 S *	7/2005	Kamimura	.....	D12/211
D626,489 S *	11/2010	Laengerer	.....	D12/211
D637,947 S *	5/2011	Zhao	.....	D12/211
D668,198 S *	10/2012	Platto	.....	D12/211
D671,479 S *	11/2012	Gonser	.....	D12/209

D673,494 S *	1/2013	Lemke	.....	D12/209
D697,013 S *	1/2014	Nemeth	.....	D12/211
D707,165 S *	6/2014	Wheel	.....	D12/209
D727,822 S *	4/2015	Wheel	.....	D12/209
D734,233 S *	7/2015	Wheel	.....	D12/209
D736,689 S *	8/2015	Lemke	.....	D12/211
D745,842 S *	12/2015	Wheel	.....	D12/209
D749,487 S *	2/2016	Mahoney	.....	D12/211
D759,565 S *	6/2016	Cybulski	.....	D12/209
D781,205 S *	3/2017	O'Neill	.....	D12/211
D788,678 S *	6/2017	Svensson	.....	D12/211
D791,671 S *	7/2017	Bucher	.....	D12/211
D806,633 S *	1/2018	Setter	.....	D12/211
D825,427 S *	8/2018	Myrberg	.....	D12/209
D826,821 S *	8/2018	Woodhouse	.....	D12/209
D833,951 S *	11/2018	Wheel	.....	D12/211
D843,916 S *	3/2019	Wheel	.....	D12/211
D846,475 S *	4/2019	Lucas	.....	D12/209
D848,341 S *	5/2019	O'Neill	.....	D12/209
D848,342 S *	5/2019	Chan	.....	D12/209
D850,351 S *	6/2019	Wheel	.....	D12/211
D858,415 S *	9/2019	Kim	.....	D12/211
D861,570 S *	10/2019	Bjerke	.....	D12/211

\* cited by examiner

*Primary Examiner* — Stacia A Cadmus

(74) *Attorney, Agent, or Firm* — Lucas & Mercanti, LLP; Klaus P. Stoffel

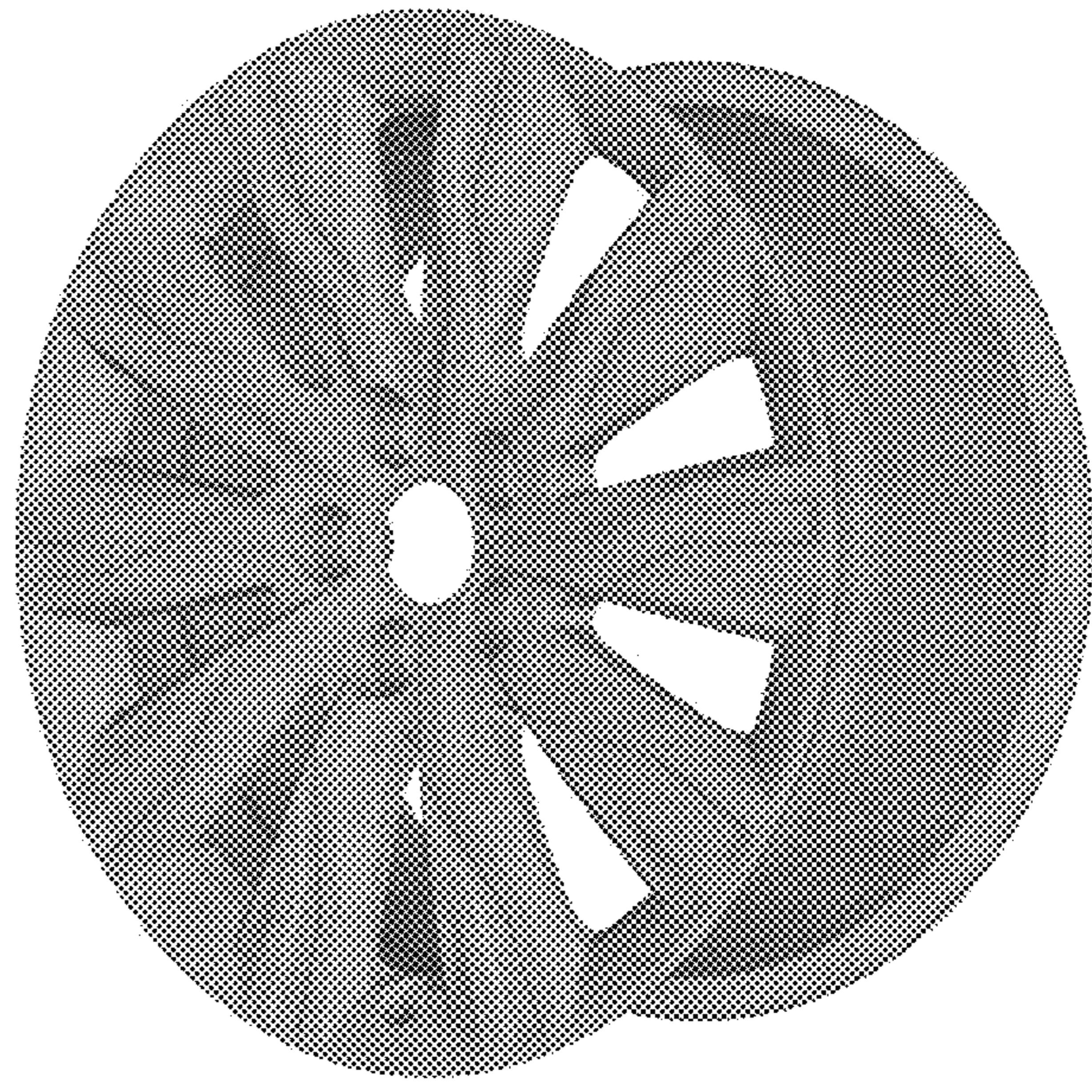
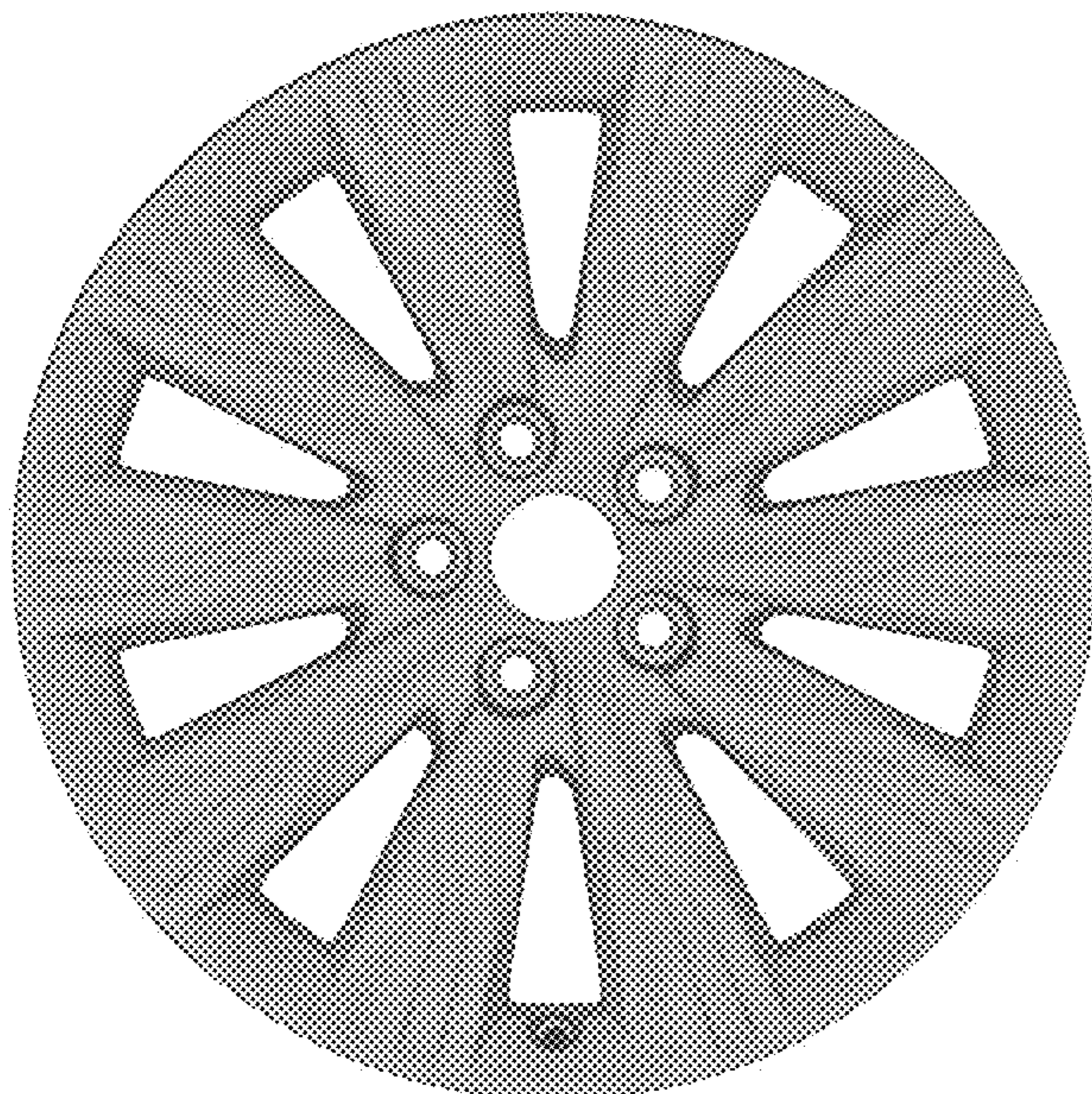
(57) **CLAIM**

The ornamental design for a vehicle wheel rim, as shown and described.

**DESCRIPTION**

FIG. 1 is a front view of the vehicle wheel rim of the present invention; and, FIG. 2 is a front, side perspective view thereof.

**1 Claim, 2 Drawing Sheets**





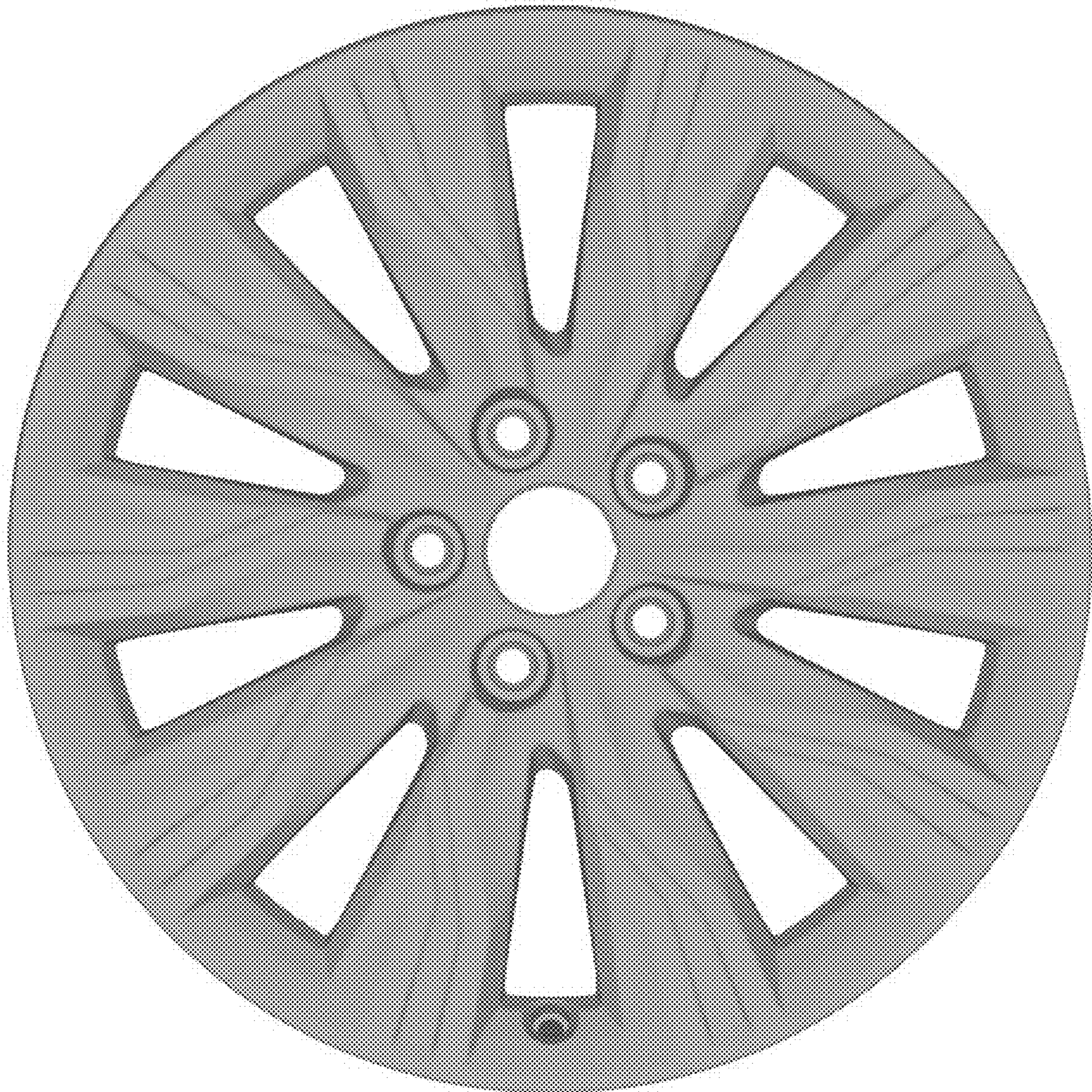


Fig. 1





**Fig. 2**