



US00D874375S

(12) **United States Design Patent**
Han

(10) **Patent No.:** **US D874,375 S**

(45) **Date of Patent:** **** Feb. 4, 2020**

(54) **AUTOMOTIVE WHEEL**

(71) Applicant: **Donnie Han**, Corona, CA (US)

(72) Inventor: **Donnie Han**, Corona, CA (US)

(**) Term: **15 Years**

(21) Appl. No.: **29/622,385**

(22) Filed: **Oct. 17, 2017**

(51) **LOC (12) Cl.** **12-16**

(52) **U.S. Cl.**
USPC **D12/209**

(58) **Field of Classification Search**
USPC D12/204–213; D21/533, 561, 563
CPC B60B 7/00; B60B 7/02; B60B 7/04; B60B
7/06; B60B 3/02; B60B 3/04; B60B 3/06;
B60B 3/10; B60B 1/00; B60B 1/08;
B60B 1/10; B60B 1/12
See application file for complete search history.

(56) **References Cited**

U.S. PATENT DOCUMENTS

D311,896 S * 11/1990 Mori D12/209
D622,199 S * 8/2010 Gallert D12/211

D697,005 S * 1/2014 Juergens D12/209
D754,581 S * 4/2016 Gallert D12/209
D791,052 S * 7/2017 Hodges D12/211
D817,843 S * 5/2018 Hale, Jr. D12/209
D831,558 S * 10/2018 Starr, Jr. D12/209
D834,485 S * 11/2018 Manzoni D12/209
D837,709 S * 1/2019 Chung D12/209
D838,647 S * 1/2019 Han D12/209
D840,900 S * 2/2019 Lickliter D12/211
D846,478 S * 4/2019 Kovacs D12/209
D855,539 S * 8/2019 Han D12/209

* cited by examiner

Primary Examiner — Sheryl Lane
Assistant Examiner — Calvin E Vansant

(57) **CLAIM**

The ornamental design for an automotive wheel, as shown and described.

DESCRIPTION

FIG. 1 is a perspective view of an automotive wheel, showing my new design;
FIG. 2 is a front view thereof;
FIG. 3 is a perspective view of a second embodiment of an automotive wheel, showing my new design; and,
FIG. 4 is a front view of FIG. 3.

1 Claim, 4 Drawing Sheets

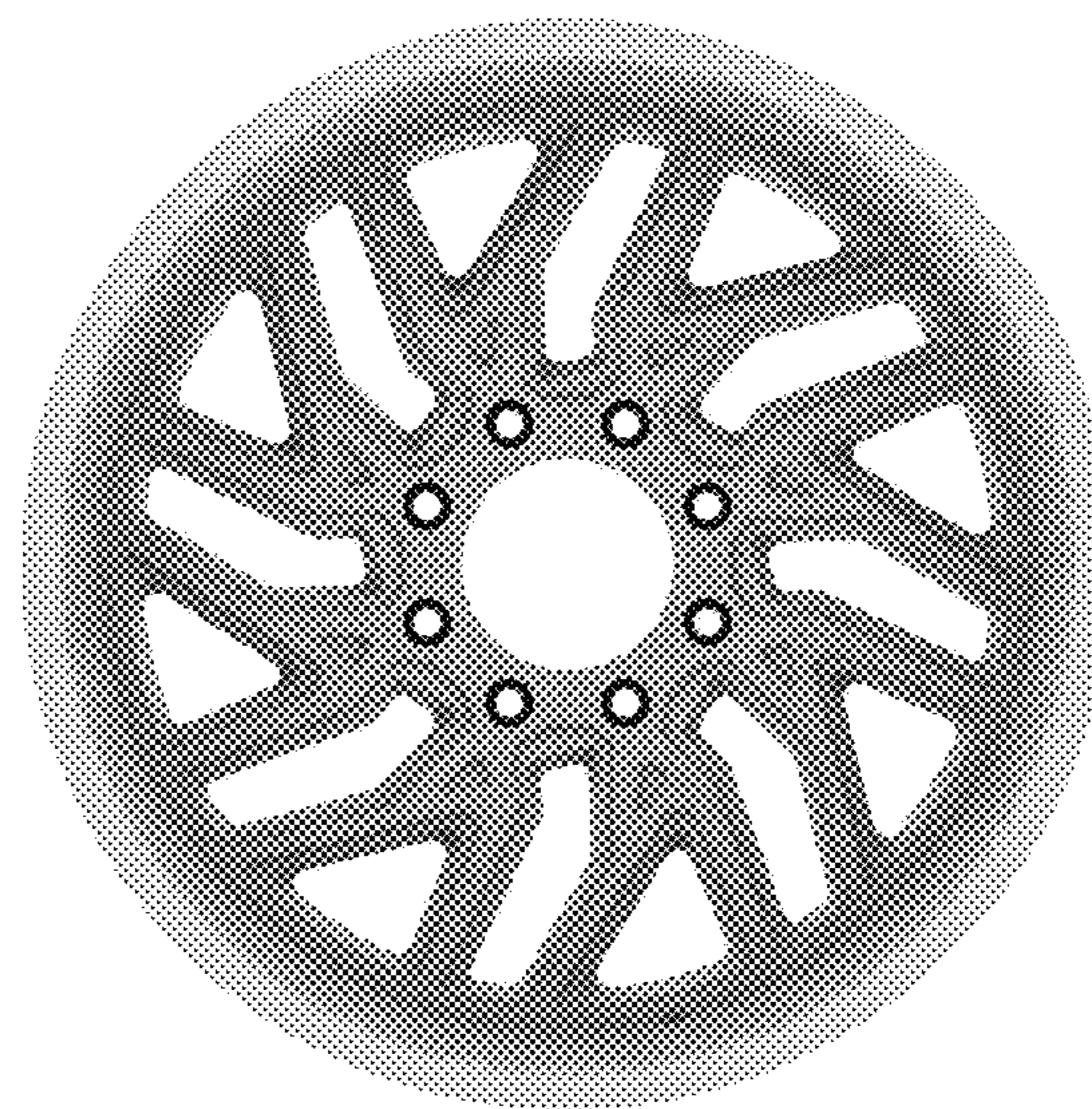
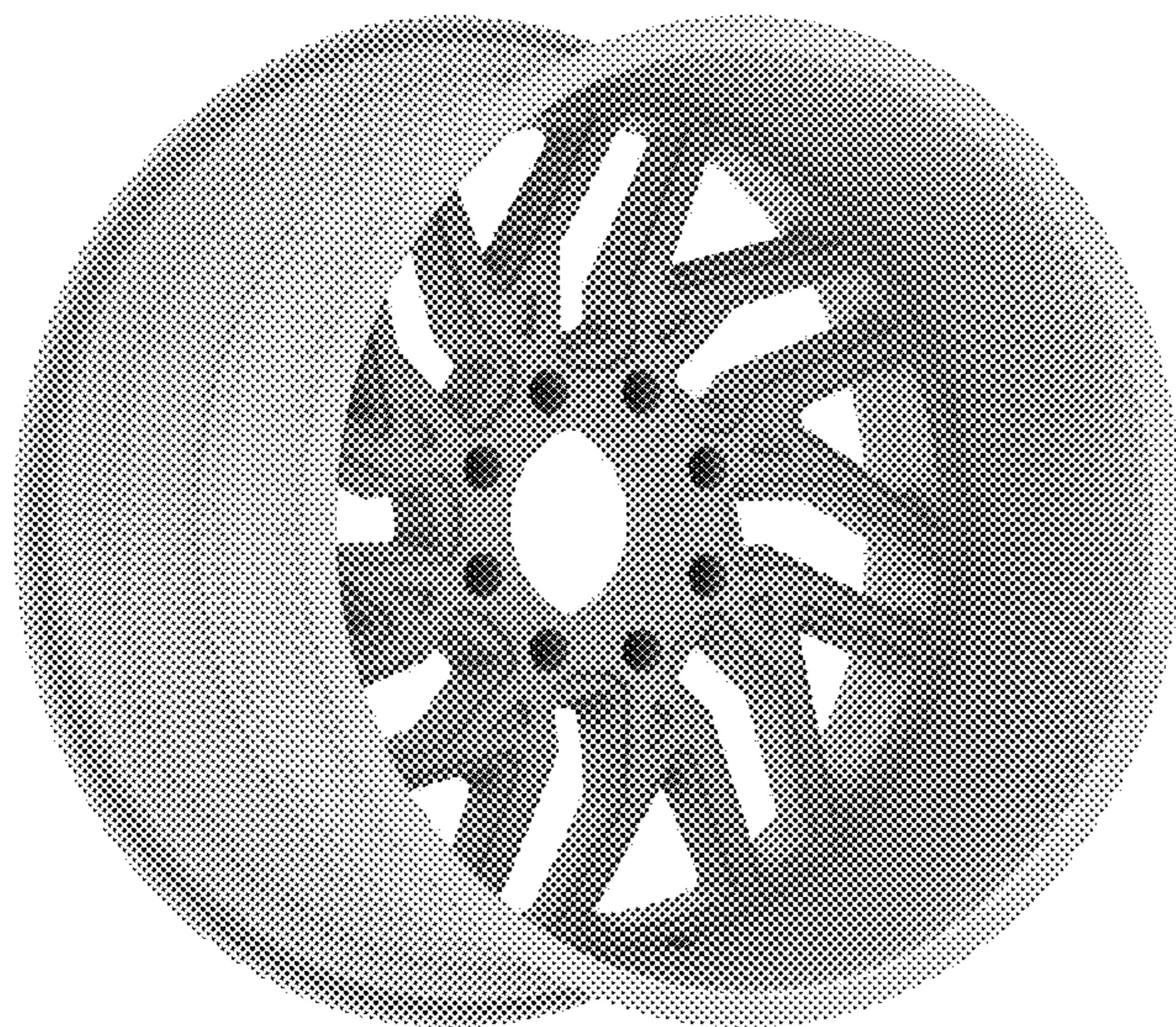




FIGURE 1



FIGURE 2



FIGURE 3



FIGURE 4