

US00D874374S

(12) **United States Design Patent** (10) **Patent No.:** **US D874,374 S**
Re (45) **Date of Patent:** **** Feb. 4, 2020**

(54) **WHEEL FOR VEHICLE OR REPLICA THEREOF**

(71) Applicant: **Aston Martin Lagonda Limited**, Warwick (GB)

(72) Inventor: **Antonino Lo Re**, Warwick (GB)

(73) Assignee: **ASTON MARTIN LAGONDA LIMITED**, Warwick (GB)

(**) Term: **15 Years**

(21) Appl. No.: **29/616,010**

(22) Filed: **Sep. 1, 2017**

(30) **Foreign Application Priority Data**

Mar. 1, 2017 (EM) 003778265-0007

(51) **LOC (12) Cl.** **12-16**

(52) **U.S. Cl.**
USPC **D12/209**

(58) **Field of Classification Search**
USPC D12/204-213
CPC B60B 1/00-1/12; B60B 3/02-3/10
See application file for complete search history.

(56) **References Cited**

U.S. PATENT DOCUMENTS

D526,948 S *	8/2006	Truebsbach	D12/211
D528,959 S *	9/2006	Sycha	D12/209
D541,724 S *	5/2007	Gallert	D12/211
D567,739 S *	4/2008	Kim	D12/211
D617,719 S *	6/2010	Zhao	D12/211
D619,952 S *	7/2010	Juergens	D12/211
D620,396 S	7/2010	Reichman et al.		
D622,649 S *	8/2010	Weil	D12/209
D626,466 S	11/2010	Reichman et al.		
D629,718 S	12/2010	Reichman et al.		
D629,719 S	12/2010	Reichman et al.		
D629,725 S	12/2010	Reichman et al.		

D630,140 S	1/2011	Reichman et al.		
D647,450 S *	10/2011	Platto	D12/209
D667,769 S *	9/2012	Pollmann	D12/209
D670,640 S	11/2012	Reichman et al.		
D671,480 S *	11/2012	Cepkova	D12/209
D673,493 S *	1/2013	Lemke	D12/209
D687,348 S	8/2013	Nurnberger		
D689,812 S	9/2013	Reichman et al.		
D692,800 S	11/2013	Wiltshire		
D704,102 S	5/2014	Nurnberger		
D704,601 S	5/2014	Nurnberger		
D705,153 S *	5/2014	Hall	D12/209

(Continued)

FOREIGN PATENT DOCUMENTS

DE	2727517 A1	12/1978
DE	4321969 A1	2/1994

(Continued)

OTHER PUBLICATIONS

U.S. Appl. No. 29/542,940, filed Oct. 19, 2015, Kahn.

(Continued)

Primary Examiner — Stacia A Cadmus

(74) *Attorney, Agent, or Firm* — Dorsey & Whitney LLP

(57) **CLAIM**

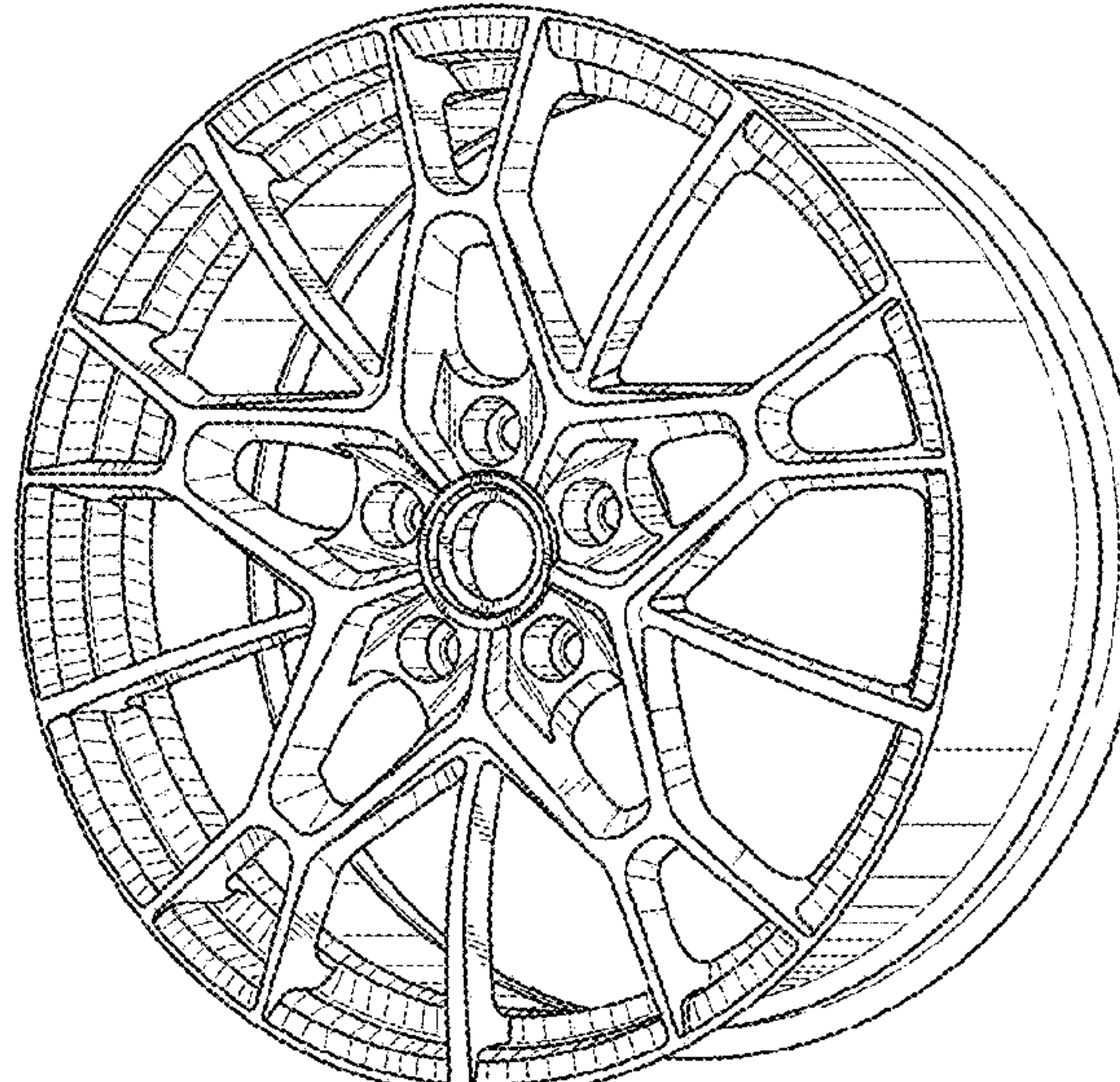
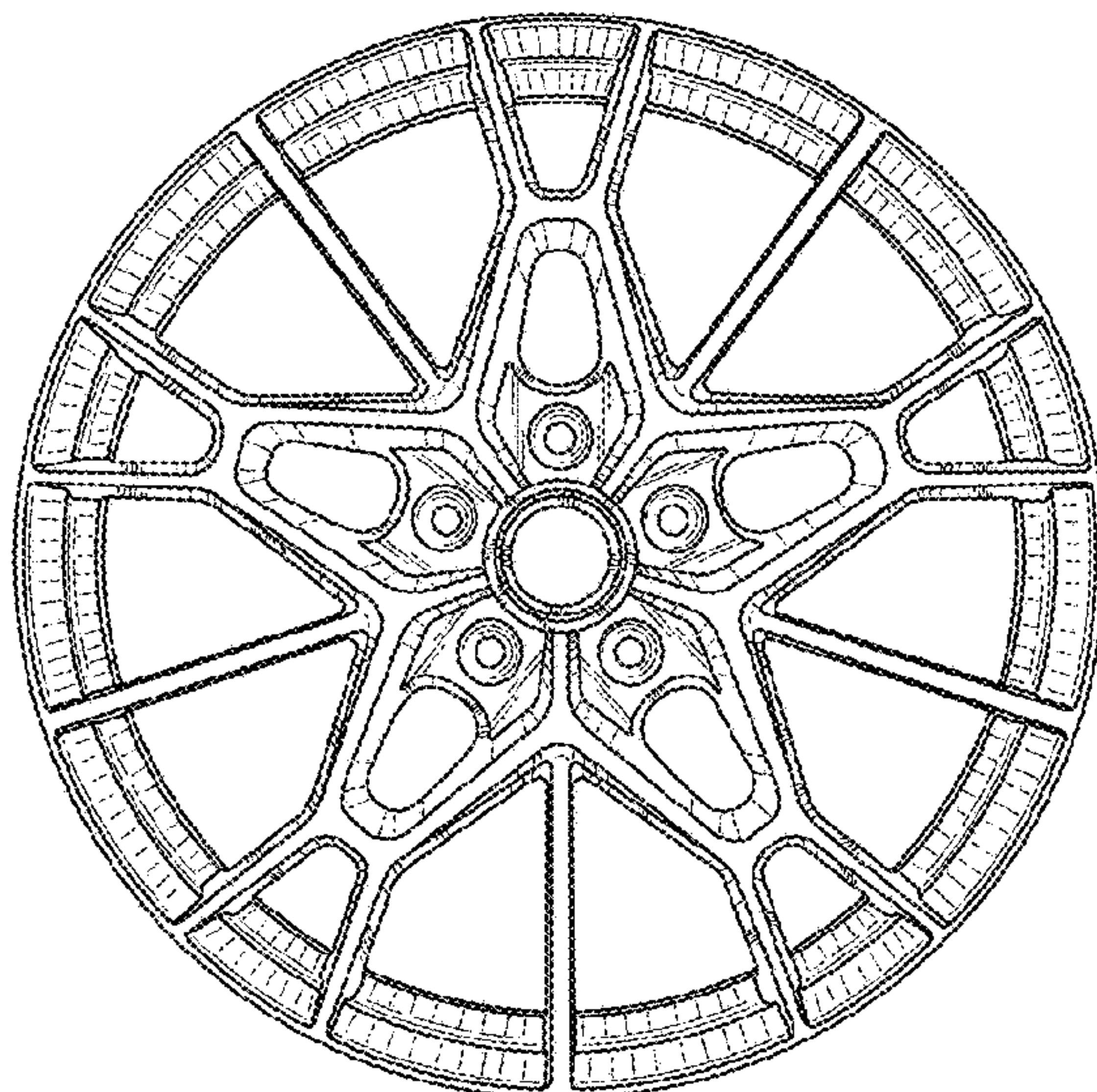
The ornamental design for a wheel for vehicle or replica thereof, as shown.

DESCRIPTION

FIG. 1 is a front elevation view of a wheel for vehicle or replica thereof in accordance with the present design; and, FIG. 2 is a front perspective view thereof.

Any combination of the illustrated features may be claimed in this application or a continuing application claiming priority to this application by converting any of the solid lines to broken lines.

1 Claim, 1 Drawing Sheet



(56)

References Cited

U.S. PATENT DOCUMENTS

D712,331	S	*	9/2014	Breyton	D12/209
D720,675	S	*	1/2015	Garbas	D12/209
D726,079	S		4/2015	Reichman et al.		
D727,804	S		4/2015	Nurnberger		
D730,777	S		6/2015	Nurnberger		
D739,789	S		9/2015	Payne		
D740,725	S		10/2015	Payne		
D751,488	S	*	3/2016	Zhao	D12/211
D756,882	S	*	5/2016	Tirado	D12/211
D758,247	S		6/2016	Nurnberger et al.		
D766,474	S		9/2016	Holgate et al.		
D772,128	S		11/2016	Platt		
D774,950	S		12/2016	Holgate et al.		
D774,995	S		12/2016	Holgate et al.		
D777,070	S		1/2017	Nurnberger		
D777,640	S	*	1/2017	Bazinski	D12/211
D778,790	S		2/2017	Nurnberger		
D780,632	S		3/2017	Nurnberger		
D780,633	S		3/2017	Payne et al.		
D780,634	S		3/2017	Segui et al.		
D780,636	S		3/2017	Kahn		
D785,525	S		5/2017	Nurnberger		
D786,155	S		5/2017	Holgate et al.		
D786,744	S		5/2017	Nurnberger et al.		
D796,404	S		9/2017	Nurnberger		
D800,619	S		10/2017	Platt		
D801,558	S		10/2017	Nurnberger et al.		
D802,510	S	*	11/2017	Groth	D12/209
D820,761	S	*	6/2018	Badstuebner	D12/211
D824,311	S	*	7/2018	Krause	D12/209
D824,832	S	*	8/2018	Oh	D12/209
D826,127	S	*	8/2018	Juergens	D12/209
D837,123	S	*	1/2019	He	D12/209
D837,128	S	*	1/2019	Liu	D12/209
D840,312	S	*	2/2019	Khachatryan	D12/209

FOREIGN PATENT DOCUMENTS

EM	0002129230001		10/2004
EM	0002129230002		10/2004
EM	0010678390001		1/2009
EM	0016500520001		12/2009
EM	0016746310001		2/2010
EM	0016746310002		2/2010
EM	0016746310003		2/2010
EM	0016746310005		2/2010
EM	0019998480001		2/2012
EM	0019998480003		2/2012
EM	0020336210001		4/2012
EM	0020336210003		4/2012
EM	0020336210005		4/2012
EM	0020336210006		4/2012
EM	0020479770002		5/2012
EM	0021714880001		1/2013
EP	0896892	A1	2/1999
EP	0906863	A2	7/1999
EP	2476603	A2	7/2012
GB	2327912	A	2/1999
GB	3013456		7/2003
GB	2396881	A	7/2004
GB	3024223		3/2006
JP	1400694		8/2010
JP	1444677		6/2012
WO	0212028	A1	2/2002

OTHER PUBLICATIONS

U.S. Appl. No. 29/573,909, filed Aug. 10, 2016, Cooper.
 U.S. Appl. No. 29/582,156, filed Oct. 25, 2016, Earley.
 U.S. Appl. No. 29/582,165, filed Oct. 25, 2016, Earley.
 U.S. Appl. No. 29/582,167, filed Oct. 25, 2016, Earley.
 U.S. Appl. No. 29/582,170, filed Oct. 25, 2016, Earley.
 U.S. Appl. No. 29/583,268, filed Nov. 3, 2016, Nurnberger et al.
 U.S. Appl. No. 29/583,27, filed Nov. 3, 2016, Nurnberger et al.

U.S. Appl. No. 29/583,278, filed Nov. 3, 2016, Nurnberger et al.
 U.S. Appl. No. 29/584,625, filed Nov. 16, 2016, Nurnberger et al.
 U.S. Appl. No. 29/584,629, filed Nov. 16, 2016, Nurnberger et al.
 U.S. Appl. No. 29/589,582, filed Jan. 3, 2017, Nurnberger et al.
 U.S. Appl. No. 29/589,583, filed Jan. 3, 2017, Nurnberger et al.
 U.S. Appl. No. 29/589,586, filed Jan. 3, 2017, Nurnberger et al.
 U.S. Appl. No. 29/589,618, filed Jan. 3, 2017, Nurnberger et al.
 U.S. Appl. No. 29/589,621, filed Jan. 3, 2017, Nurnberger et al.
 U.S. Appl. No. 29/595,005, filed Feb. 24, 2017, Nurnberger et al.
 U.S. Appl. No. 29/604,102, filed May 15, 2017, Nurnberger et al.
 U.S. Appl. No. 29/616,003, filed Sep. 1, 2017, Re et al.
 U.S. Appl. No. 29/616,006, filed Sep. 1, 2017, Re et al.
 U.S. Appl. No. 29/616,008, filed Sep. 1, 2017, Re et al.
 U.S. Appl. No. 29/616,014, filed Sep. 1, 2017, Re et al.
 U.S. Appl. No. 29/621,813, filed Oct. 11, 2017, Nurnberger et al.
 U.S. Appl. No. 29/621,815, filed Oct. 11, 2017, Nurnberger et al.
 U.S. Appl. No. 29/626,411, filed Nov. 16, 2017, Nurnberger et al.
 U.S. Appl. No. 29/626,415, filed Nov. 16, 2017, Nurnberger et al.
 U.S. Appl. No. 29/626,419, filed Nov. 16, 2017, Hill et al.
 U.S. Appl. No. 29/626,801, filed Nov. 20, 2017, Hill et al.
 U.S. Appl. No. 29/631,88, filed Jan. 3, 2018, Hill et al.
 U.S. Appl. No. 29/631,887, filed Jan. 3, 2018, Hill et al.
 U.S. Appl. No. 29/530,866, filed Jun. 19, 2015.
 U.S. Appl. No. 29/534,648, filed Jul. 30, 2015.
 U.S. Appl. No. 29/542,940, filed Oct. 19, 2015.
 U.S. Appl. No. 29/573,909, filed Aug. 10, 2016.
 U.S. Appl. No. 29/583,268, filed Nov. 3, 2016.
 U.S. Appl. No. 29/583,272, filed Nov. 3, 2016.
 U.S. Appl. No. 29/583,278, filed Nov. 3, 2016.
 U.S. Appl. No. 29/584,625, filed Nov. 16, 2016.
 U.S. Appl. No. 29/584,629, filed Nov. 16, 2016.
 U.S. Appl. No. 29/589,582, filed Jan. 3, 2017.
 U.S. Appl. No. 29/589,583, filed Jan. 3, 2017.
 U.S. Appl. No. 29/589,586, filed Jan. 3, 2017.
 U.S. Appl. No. 29/589,618, filed Jan. 3, 2017.
 U.S. Appl. No. 29/589,621, filed Jan. 3, 2017.
 U.S. Appl. No. 29/595,005, filed Feb. 24, 2017.
 U.S. Appl. No. 29/604,102, filed May 15, 2017.
 U.S. Appl. No. 29/616,003, filed Sep. 1, 2017.
 U.S. Appl. No. 29/616,006, filed Sep. 1, 2017.
 U.S. Appl. No. 29/616,008, filed Sep. 1, 2017.
 U.S. Appl. No. 29/616,014, filed Sep. 1, 2017.
 “2009 Aston Martin Vantage 2-door Coupe Man Grille”. Found online Mar. 21, 2016 at motorauthority.com. Page dated c. 2009. Retrieved from http://www.motorauthority.com/image/100236184_2009-aston-martin-vantage-2-door-coupe-man-grille.
 “2011 Aston Martin One-77.” Electronic Brochure., Jun. 22, 2010 [online], [retrieved on Sep. 5, 2014]. Retrieved from the Internet <URL: http://www.auto-brochures.com/makes/Aston_Martin/one-77/Aston%20Martin_int%20ne-77.pdf>.
 “2012 Aston Martin Virage”, Online Review dated Mar. 21, 2012 (Retrieved from the Internet Jan. 20, 2016), Available at <http://www.autoblog.com/2012/03/21/2012-aston-martin-virage-review-road-test>.
 “Aston Martin Sedan/Lagonda Spy Photos”. Found online Mar. 21, 2016 at forums.nasioc.com. Page dated May 9, 2014. Retrieved from <http://forums.nasioc.com/forums/showthread.php?t=2628222>.
 “Cars Wheels Design”, Online Blog dated Oct. 13, 2011 (Retrieved from the Internet Jan. 20, 2016), Available at <http://wheelsdesigns.blogspot.com/2011/10/aston-martin-wheels.html>.
 “eAutoZine: Aston Martin Lagonda Returns in Summer 2014”. Found online Mar. 21, 2016 at eautozine.com. Page dated Jun. 22, 2014. Retrieved from <http://www.eautozine.com/page/4/>.
 1976 and 1987 Aston Martin Lagonda, [online], [site visited Jul. 24, 2014], Available from Internet, <URL: <http://www.astonmartin.com/heritage/past-models/lagonda>>, 2 pages.
 2003 Aston Martin DB7 Vantage, [online], [site visited Jan. 3, 2014], Available from Internet, <URL: <http://www.conceptcarz.com/view/photo/291097,6877/2003-Aston-Martin-DB7-Vantage.aspx>>, 2 pages.

(56)

References Cited

OTHER PUBLICATIONS

2011 Aston Martin Rapide, [online article Feb. 4, 2010, [site visited Jan. 3, 2014], Available from Internet, <URL: http://www.roadandtrack.com/car-reviews/first-drives/photos-2011-aston-martin-rapide?click=main_sr#slide-1>, 6 pages.

2014 Aston Martin Rapide S, announced Dec. 30, 2013, [online], [site visited Jan. 3, 2014], Available from Internet, <URL: <http://www.astonmartin.com/en-us/cars/rapide-s>>, 35 pages.

Aston Martin 2013, “Aston Martin Centenary Celebration Programme,” 2013; 204 pages.

Aston Martin DB9 Brochure; Website[online]: <http://www.auto-brochures.com>, Jan. 27, 2012 [retrieved on Oct. 22, 2013]. Retrieved from the internet: <URL: http://www.auto-brochures.com/makes/Aston_Martin/db9/Aston%20Martin_int%20DB9_1.pdf>; 41 pages.

Aston Martin IDBS Brochure; Website[online]: <http://www.auto-brochures.com>, Jan. 27, 2012 [retrieved on Oct. 22, 2013]. Retrieved from the internet: <URL: http://www.auto-brochures.com/makes/Aston_Martin/dbs/Aston%20Martin_int%20DBS_1.pdf>; 62 pages.

Aston Martin, “Vulcan”, <http://www.astonmartin.com/vulcan> [Retrieved from the Internet on Oct. 21, 2016], 2 Pages.

European Patent Office; PCT International Preliminary Examination Report dated Dec. 5, 2002; PCT/GB01/03563; 11 pages.

European Patent Office; PCT International Search Report dated Nov. 21, 2001; PCT/GB01/03563; 3 pages.

European Patent Office; PCT Written Opinion dated Aug. 21, 2002; PCT/GB01/03563; 5 pages.

European Patent Office; PCT Written Opinion dated Mar. 6, 2002; PCT/GB01/03563; 5 pages.

Youtube, “First Look: Aston Martin Vulcan—Geneva 2015”, <https://www.youtube.com/watch?v=weY6qeOJIBe>, Published Mar. 5, 2015, 2 Pages.

“Extremely Striking ‘Bespoke’ Aston Martin Super-Saloon Spied”. Found online Mar. 21, 2016 at forums.vwvortex.com. Page dated May 8, 2014., Retrieved from <http://forums.vwvortex.com/showthread.php?6969673-Extremely-striking-quot-Bespoke-quot-Aston-Martin-super-saloon-spied-Built-by-0-by-Aston-Martin-will-be-very-limited-run-could-be-badged-Lagonda>.

Carrion, Annette. “2014 Aston Martin Vanquish Volante Neiman Marcus . . .” European Car Web., Jun. 22, 2010 [online], [retrieved on Sep. 5, 2014]., Retrieved from the Internet <URL: http://www.europeancarweb.com/news/1311_2014_aston_martin_vanquish_volante_neiman_marcus_edition/photo_06.html>.

Vijayenthiran, Viknesh. “Aston Martin Builds and Sells Two CC100 Speedsters: Report.” Motor Authority., Jul. 26, 2013 [online], [retrieved on Sep. 5, 2014]., Retrieved from the Internet <URL: http://www.motorauthority.com/news/1085797_aston-martin-builds-and-sells-two-cc100-speedsters-report>.

2008 Aston Martin DB9 Grill & Front View Photo. Website[online]: <http://www.motortrend.com>, Jun. 12, 2008 [retrieved on Oct. 22, 2013]., Retrieved from the internet: <URL: http://www.motortrend.com/cars/2008/aston_martin/db9/photos/exterior/grill_front_view.html>; 1 page.

* cited by examiner

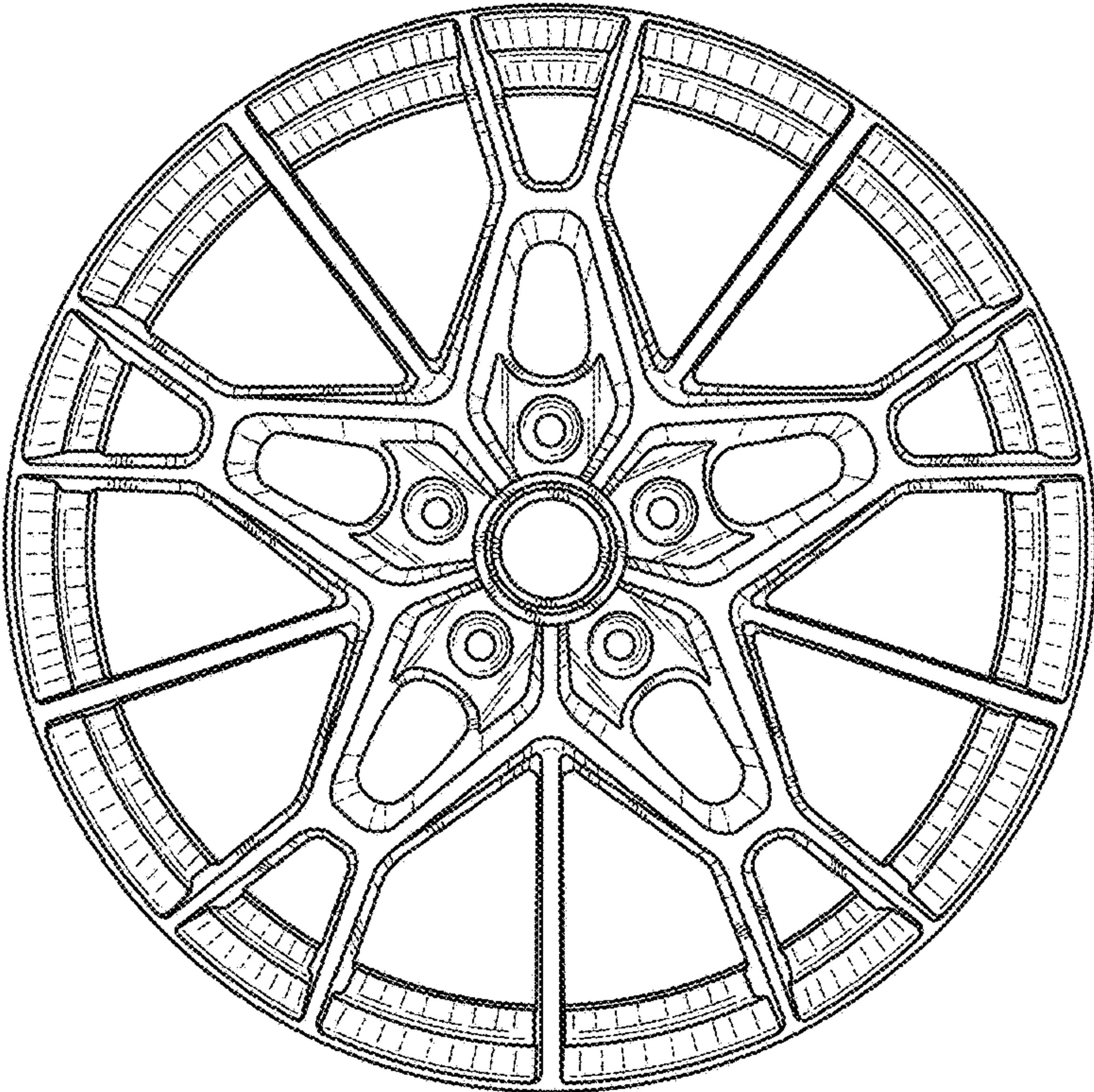


Fig. 1

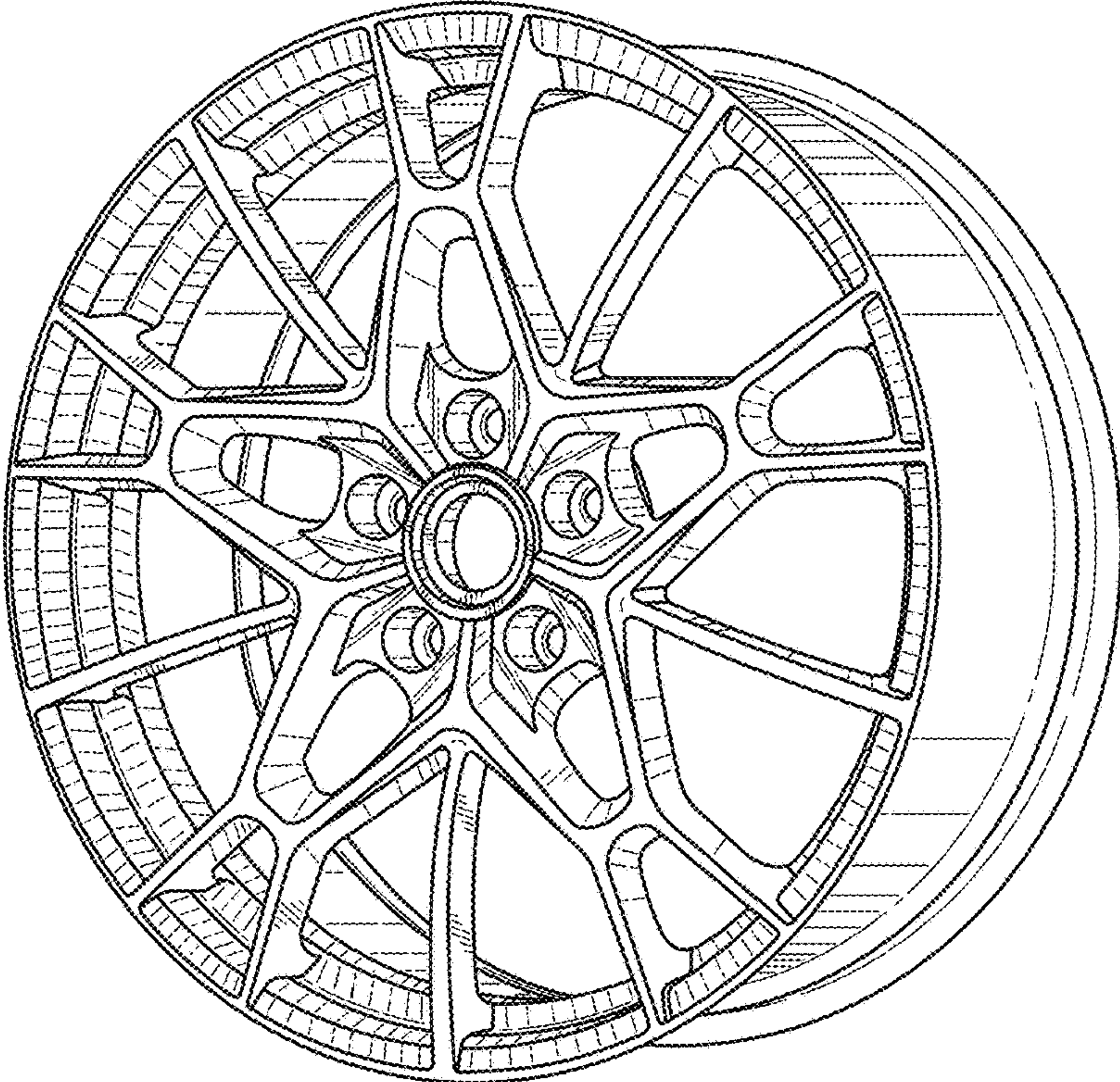


Fig. 2