



US00D874372S

(12) **United States Design Patent** (10) **Patent No.:** **US D874,372 S**
Donfrancesco et al. (45) **Date of Patent:** **** Feb. 4, 2020**

(54) **FRONT DOOR CASING FOR A VEHICLE**

(71) Applicant: **Jaguar Land Rover Limited**, Whitley, Coventry (GB)

(72) Inventors: **Adam Donfrancesco**, Coventry (GB); **Graham Humphrys**, Coventry (GB)

(73) Assignee: **Jaguar Land Rover Limited**, Whitley, Coventry (GB)

(**) Term: **15 Years**

(21) Appl. No.: **29/653,022**

(22) Filed: **Jun. 12, 2018**

(30) **Foreign Application Priority Data**

Dec. 12, 2017 (EM) 004544302

(51) **LOC (12) Cl.** **12-16**

(52) **U.S. Cl.**
USPC **D12/195**

(58) **Field of Classification Search**
USPC D12/195, 193, 414, 190, 196; D15/17, D15/28; D10/46, 98, 102-103; D8/302-303
CPC B60J 5/04
See application file for complete search history.

(56) **References Cited**

U.S. PATENT DOCUMENTS

D819,534 S * 6/2018 Buffery D12/195
D820,754 S * 6/2018 Buffery D12/195
D823,208 S * 7/2018 Boyes D12/195
D823,760 S * 7/2018 Sato D12/195

D831,552 S * 10/2018 Watkin D12/195
D835,555 S * 12/2018 Ray D12/195
D839,160 S * 1/2019 Kasano D12/195
D840,888 S * 2/2019 Takagi D12/195
D844,517 S * 4/2019 Brisbane D12/195
D852,102 S * 6/2019 Webber D12/195
D853,922 S * 7/2019 Sandys D12/195
D853,923 S * 7/2019 Peat D12/195
D858,393 S * 9/2019 Kakuta D12/195

* cited by examiner

Primary Examiner — Katrina A Betton

(74) *Attorney, Agent, or Firm* — Wood Herron & Evans LLP

(57) **CLAIM**

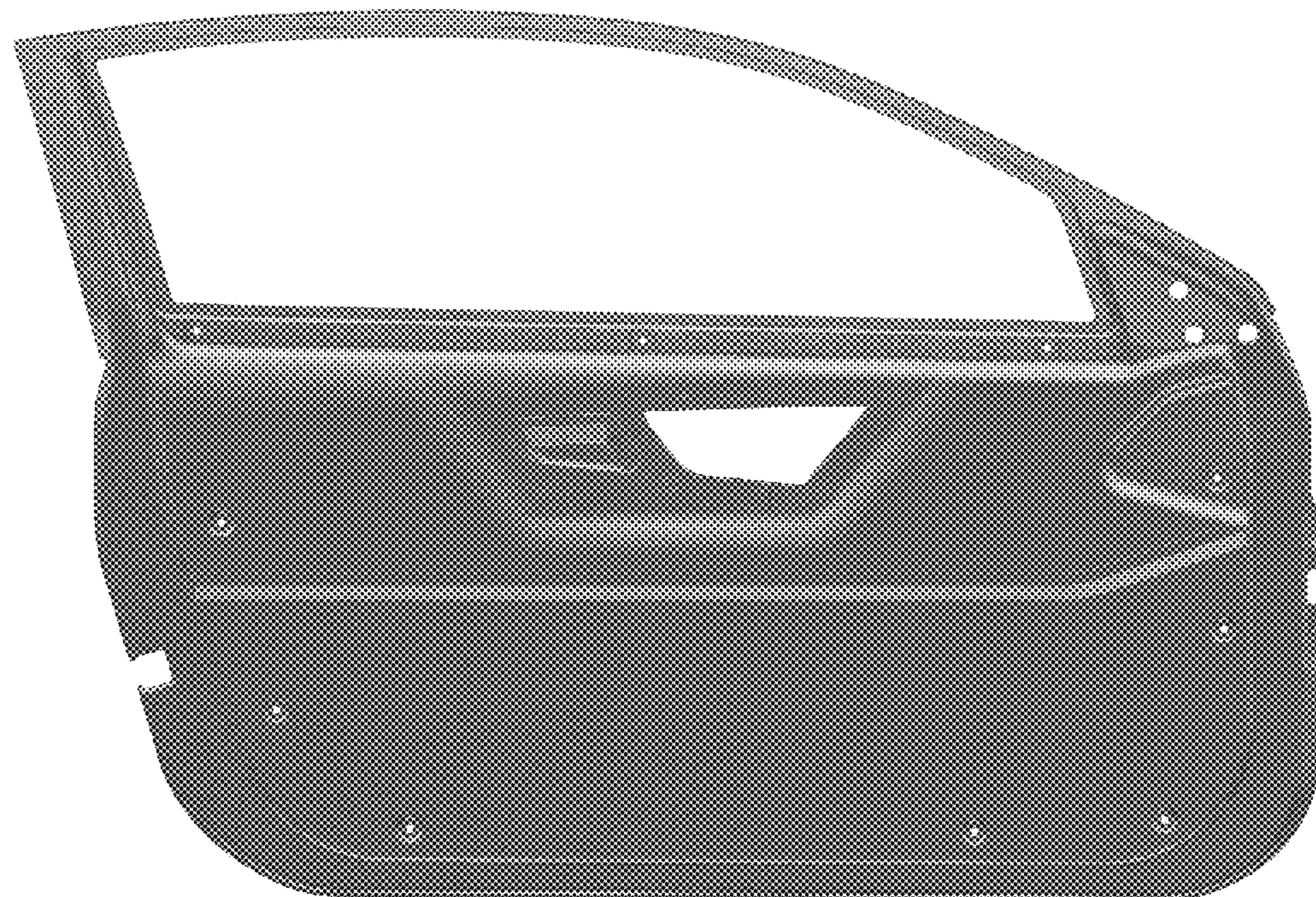
The ornamental design for a front door casing for a vehicle, as shown and described.

DESCRIPTION

FIG. 1 is a front right elevated perspective view of a front door casing for a vehicle according to the present invention. FIG. 2 is a front right perspective view thereof. FIG. 3 is a rear left elevated perspective view thereof. FIG. 4 is a rear left perspective view thereof. FIG. 5 is a front view thereof. FIG. 6 is a rear view thereof. FIG. 7 is a right side view thereof. FIG. 8 is a left side view thereof. FIG. 9 is a top view thereof; and, FIG. 10 is a bottom view thereof.

The invention contemplates a mirror image door casing for the opposite side of the vehicle.

1 Claim, 8 Drawing Sheets



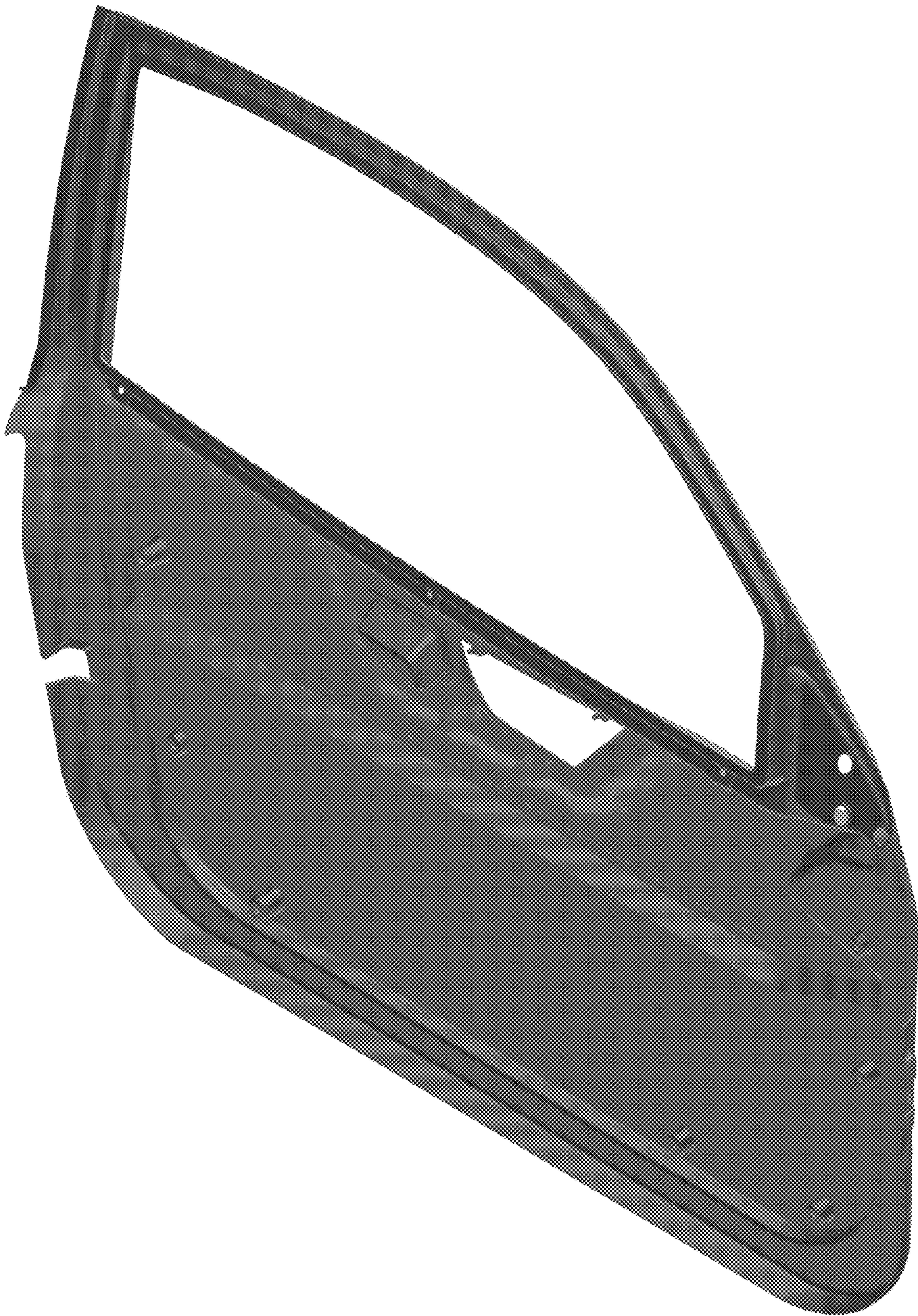


FIG. 1



FIG. 2

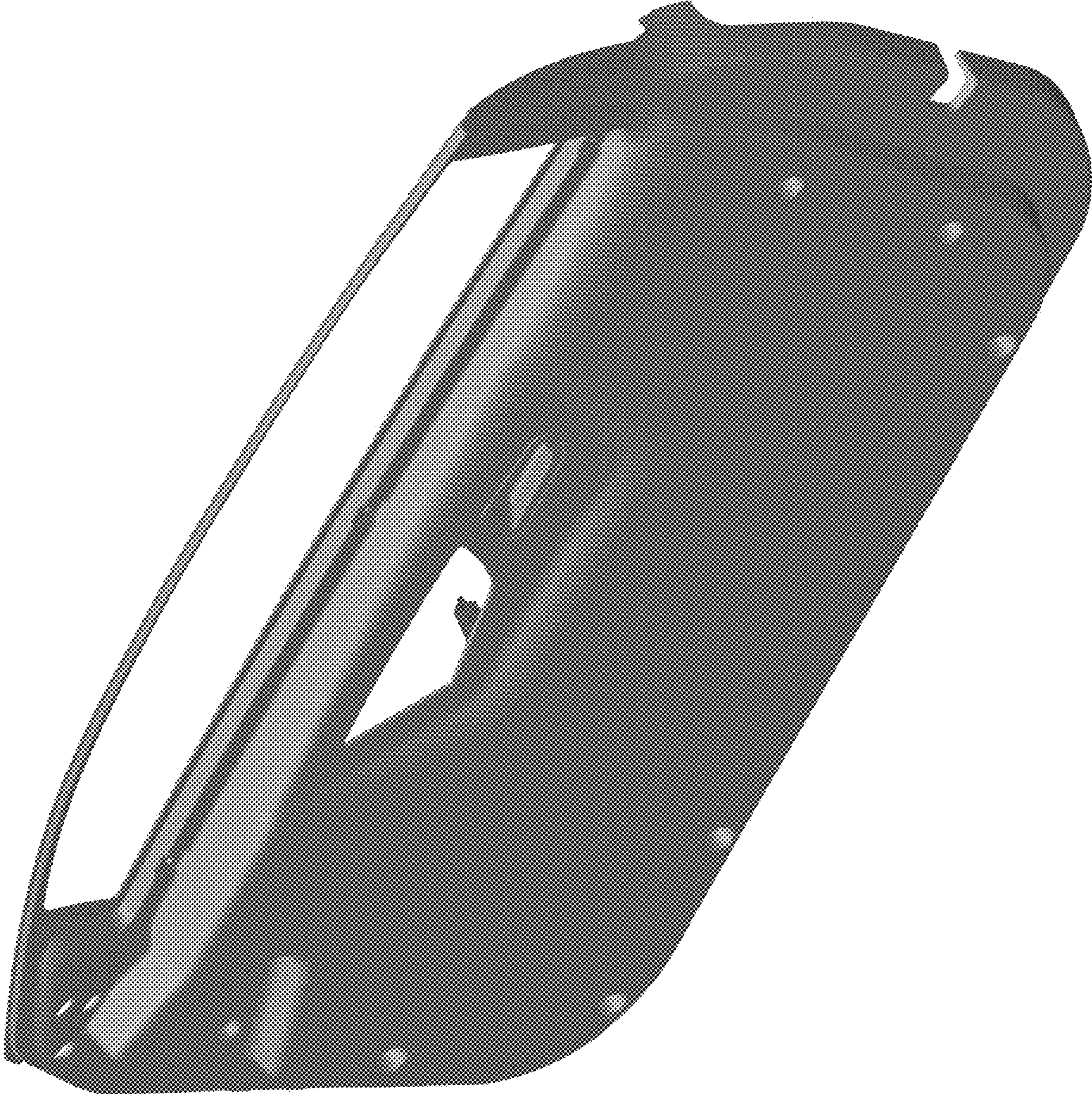


FIG. 3

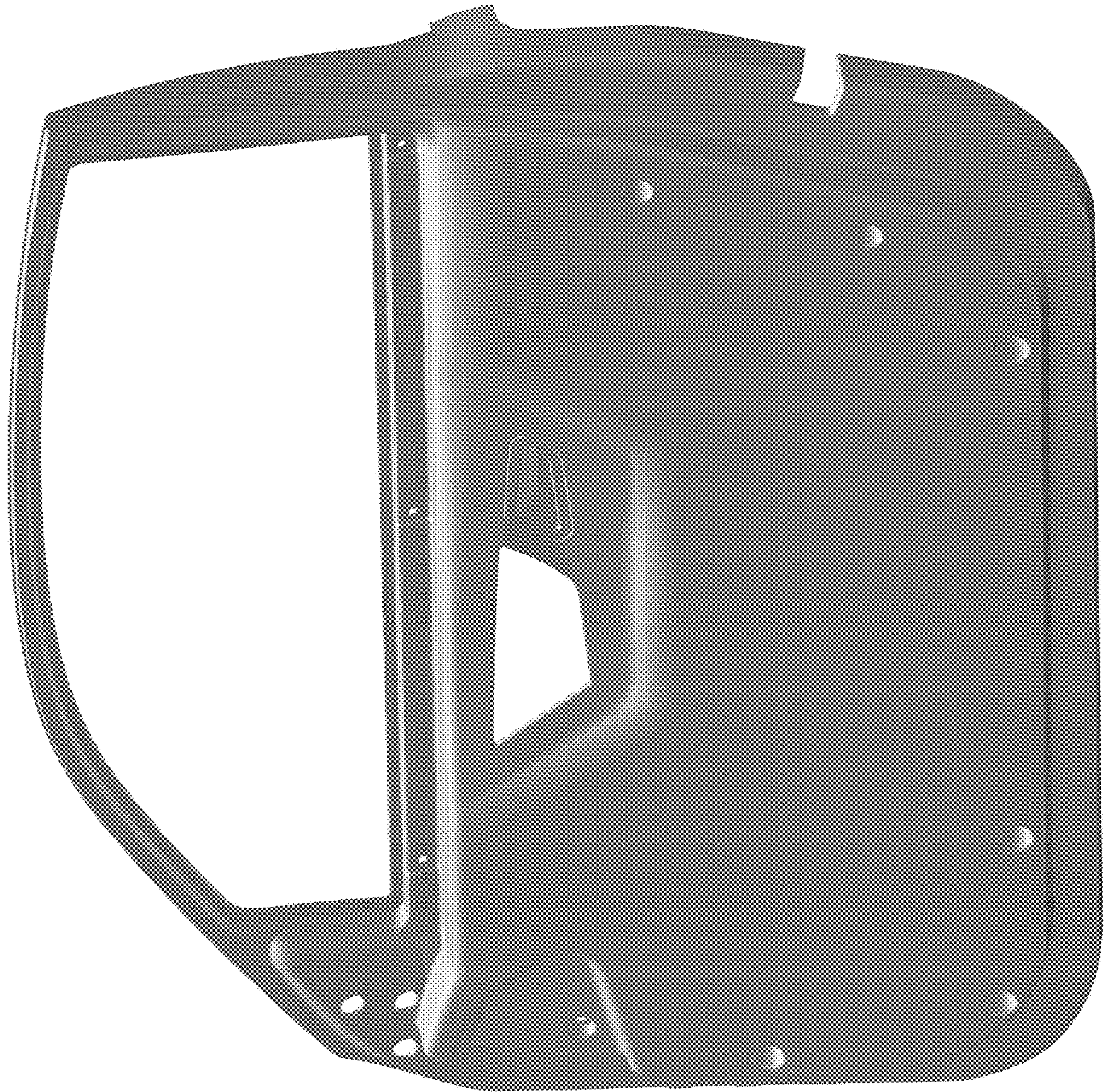


FIG. 4



FIG. 5



FIG. 6

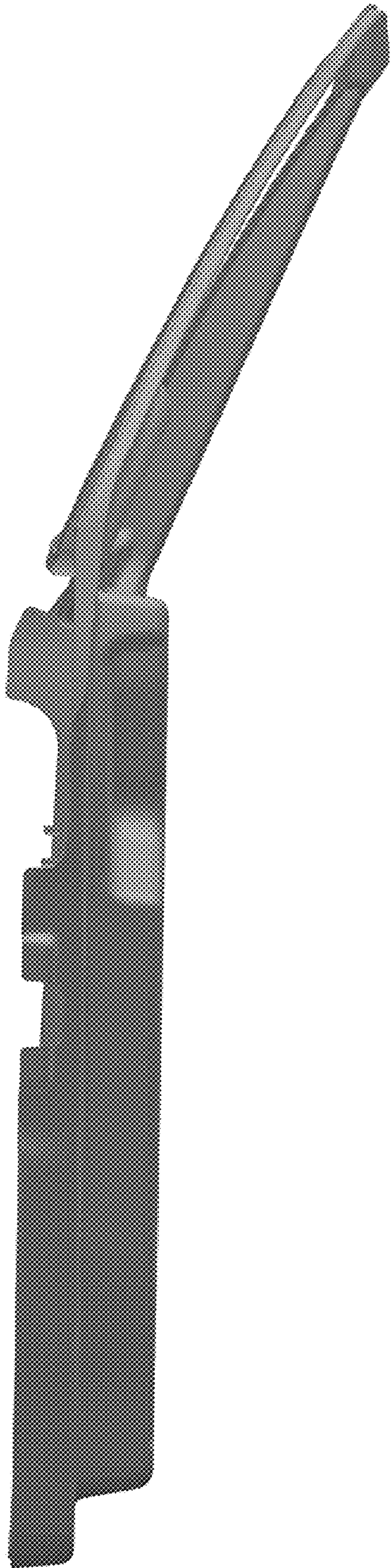


FIG. 7

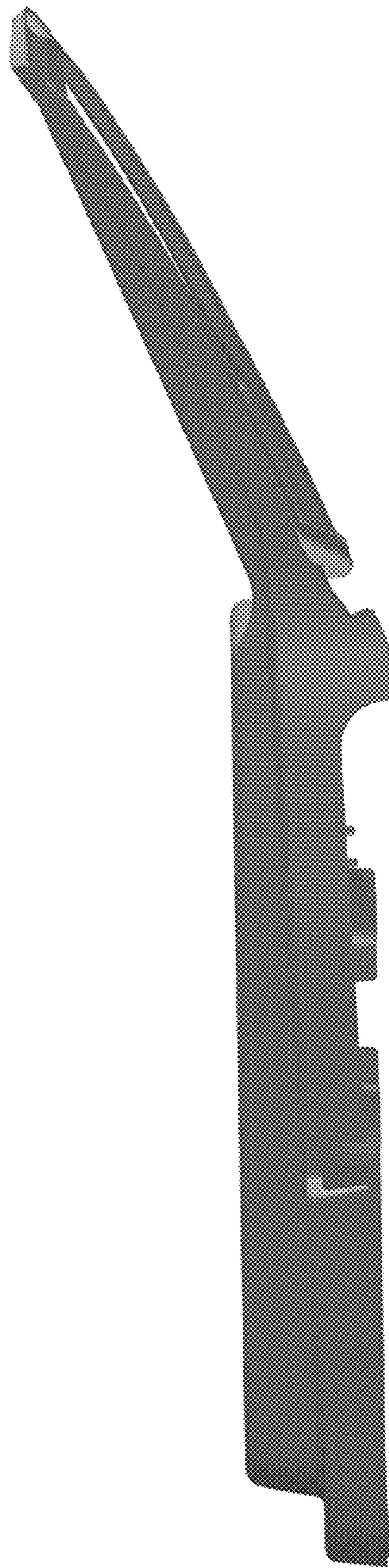


FIG. 8

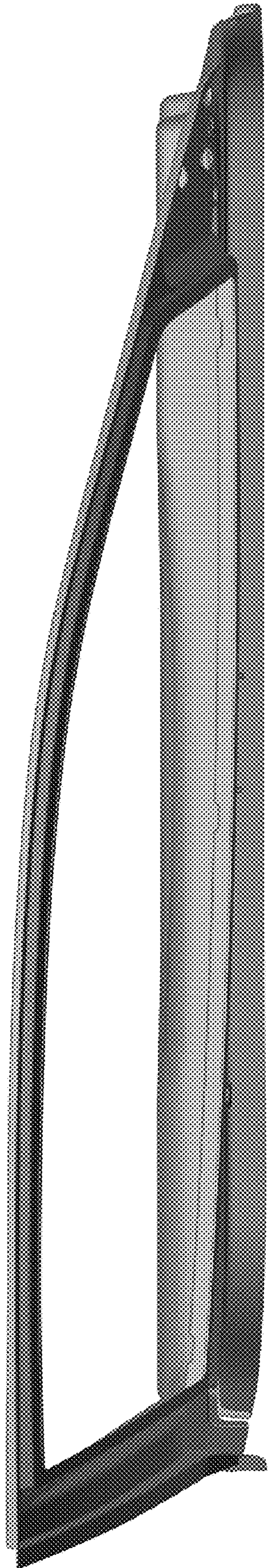


FIG. 9

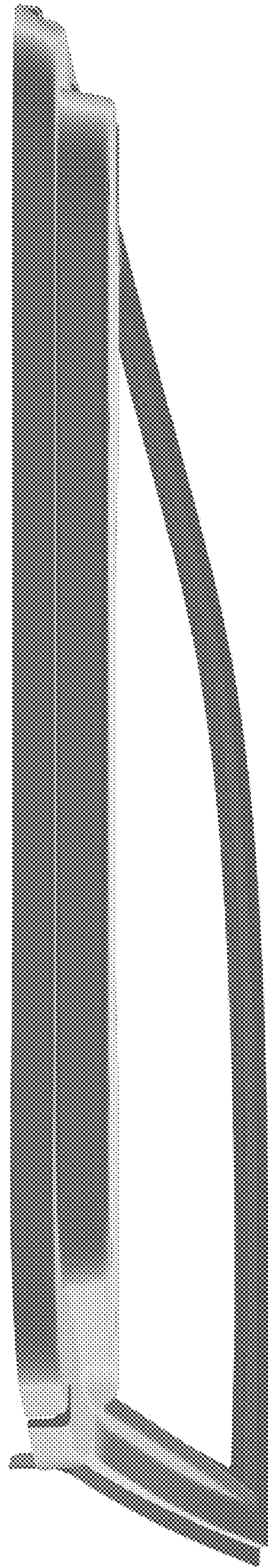


FIG. 10