



US00D874371S

(12) **United States Design Patent** (10) **Patent No.:** **US D874,371 S**  
**Buffery** (45) **Date of Patent:** **\*\* Feb. 4, 2020**

- (54) **INSTRUMENT PANEL FOR A VEHICLE**
- (71) Applicant: **Jaguar Land Rover Limited**, Whitley Coventry (GB)
- (72) Inventor: **Martin Buffery**, Whitley Coventry (GB)
- (73) Assignee: **Jaguar Land Rover Limited**, Whitley Coventry (GB)
- (\*\*) Term: **15 Years**
- (21) Appl. No.: **29/679,810**
- (22) Filed: **Feb. 11, 2019**

**Related U.S. Application Data**

- (62) Division of application No. 29/603,679, filed on May 11, 2017, now Pat. No. Des. 841,544.

**Foreign Application Priority Data**

- Nov. 11, 2016 (EM) ..... 003459536-0001
- Nov. 13, 2016 (EM) ..... 003460807-0005

- (51) **LOC (12) Cl.** ..... **12-16**

- (52) **U.S. Cl.**  
USPC ..... **D12/192**

- (58) **Field of Classification Search**  
USPC ..... D12/192, 415  
CPC ..... B60R 21/045; B60K 35/00  
See application file for complete search history.

(56) **References Cited**

**U.S. PATENT DOCUMENTS**

- D625,233 S \* 10/2010 Mizuhata ..... D12/192
- D721,996 S \* 2/2015 Farcas ..... D12/192

- D727,231 S \* 4/2015 Narita ..... D12/192
- 9,457,755 B2 \* 10/2016 Merkel ..... B60R 21/045
- D770,968 S \* 11/2016 Willis ..... D12/415
- D841,544 S \* 2/2019 Buffery ..... D12/192
- D847,056 S \* 4/2019 Myoi ..... D12/192
- D847,057 S \* 4/2019 Kono ..... D12/192

**OTHER PUBLICATIONS**

Screenshot: Gallery: 2018 Land Rover Range Rover Velar Interior. Dated Jan. 25, 2018. 1 page. Found online Jun. 29, 2018 at <http://autoweek.com/gallery/car-reviews/gallery-2018-land-rover-range-rover-velar-interior> (Year: 2018).\*

\* cited by examiner

*Primary Examiner* — Robert M. Spear  
(74) *Attorney, Agent, or Firm* — Wood Herron & Evans LLP

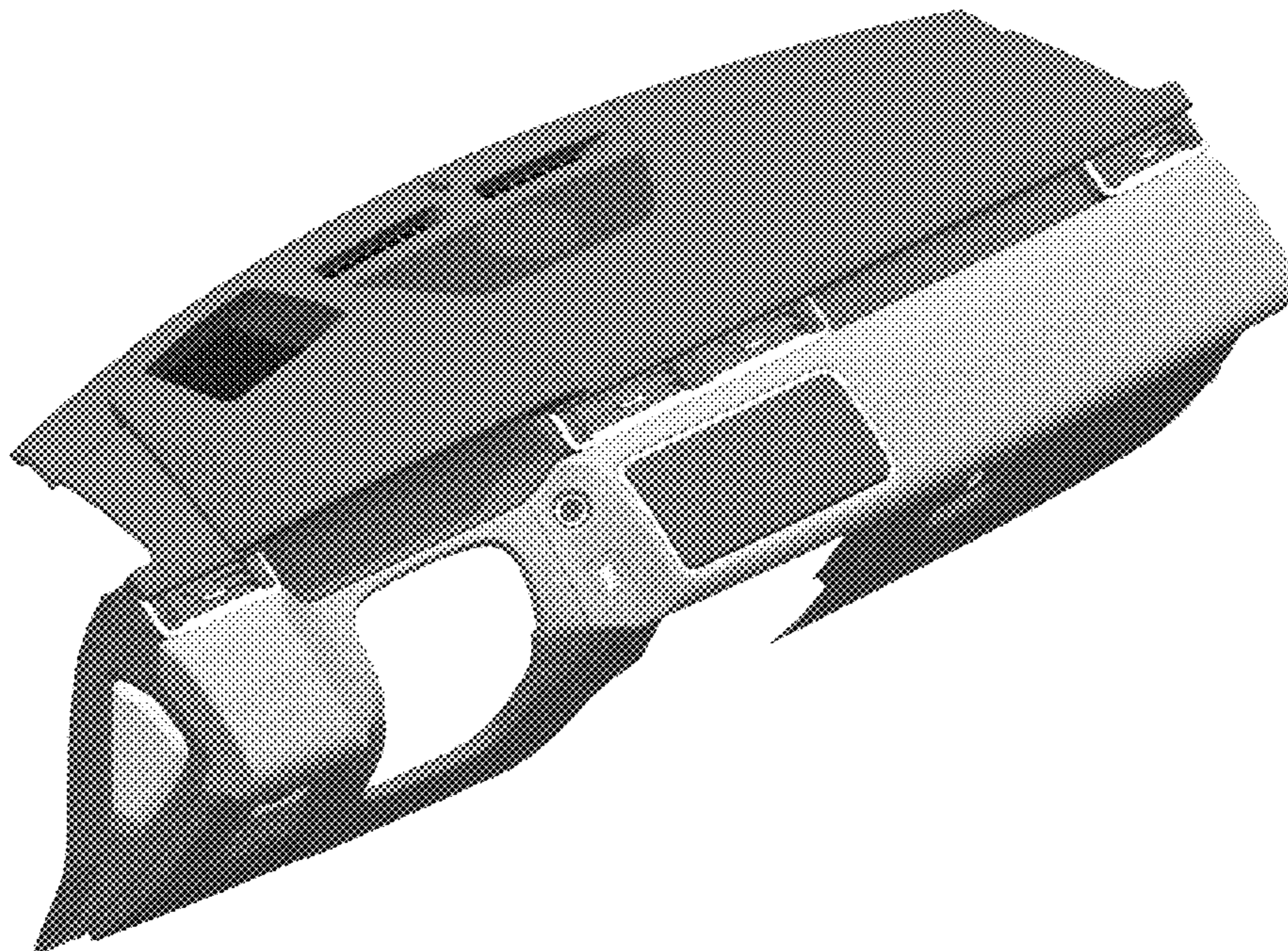
(57) **CLAIM**

The ornamental design for an instrument panel for a vehicle, as shown and described.

**DESCRIPTION**

FIG. 1 is a front left top perspective view of an instrument panel for a vehicle, according to the present invention. FIG. 2 is a front right top perspective view of the instrument panel shown in FIG. 1. FIG. 3 is a front right perspective view thereof. FIG. 4 is a front view thereof. FIG. 5 is a left side view thereof. FIG. 6 is a right side view thereof; and, FIG. 7 is a top view thereof.

**1 Claim, 7 Drawing Sheets**



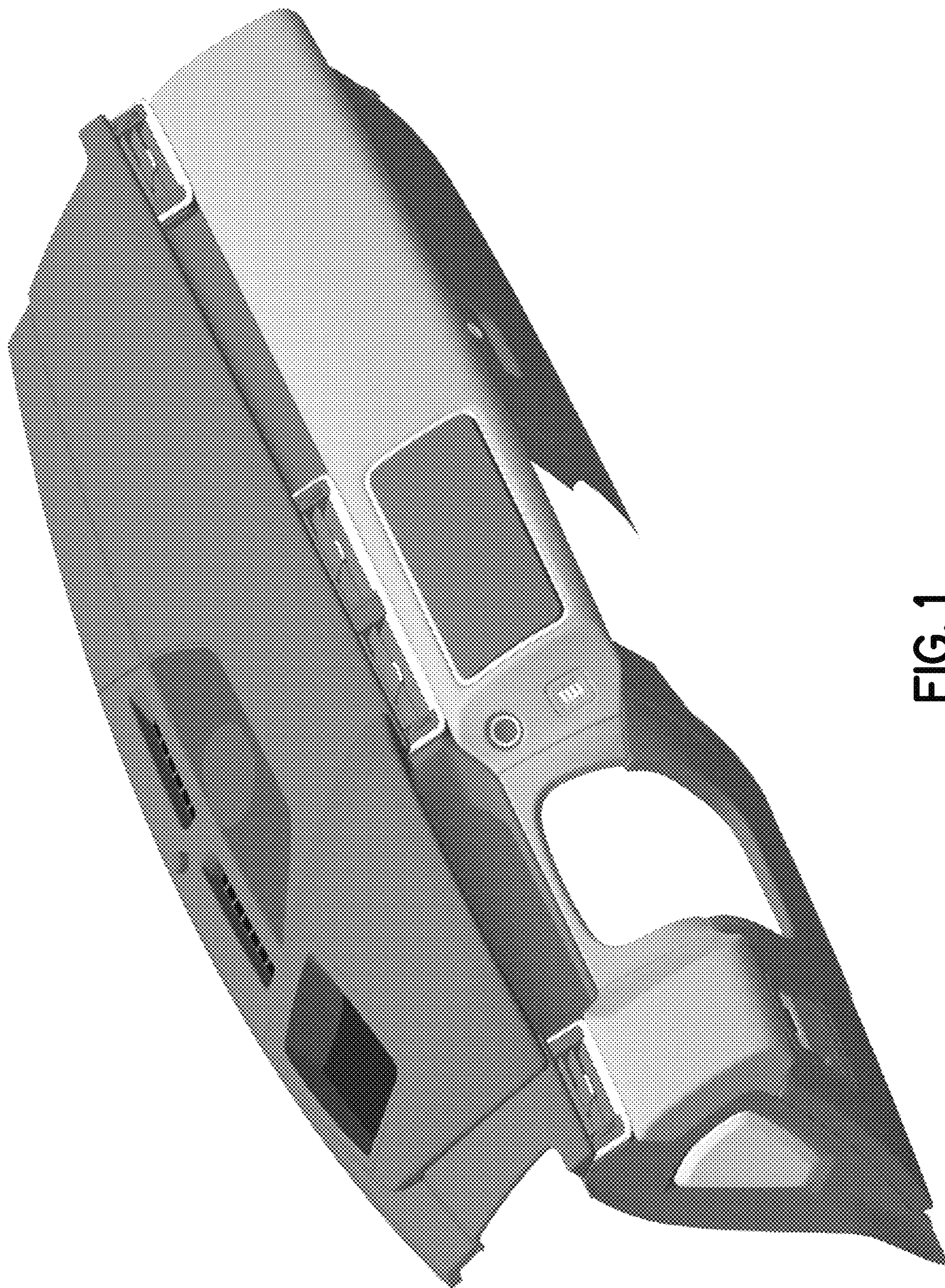


FIG. 1

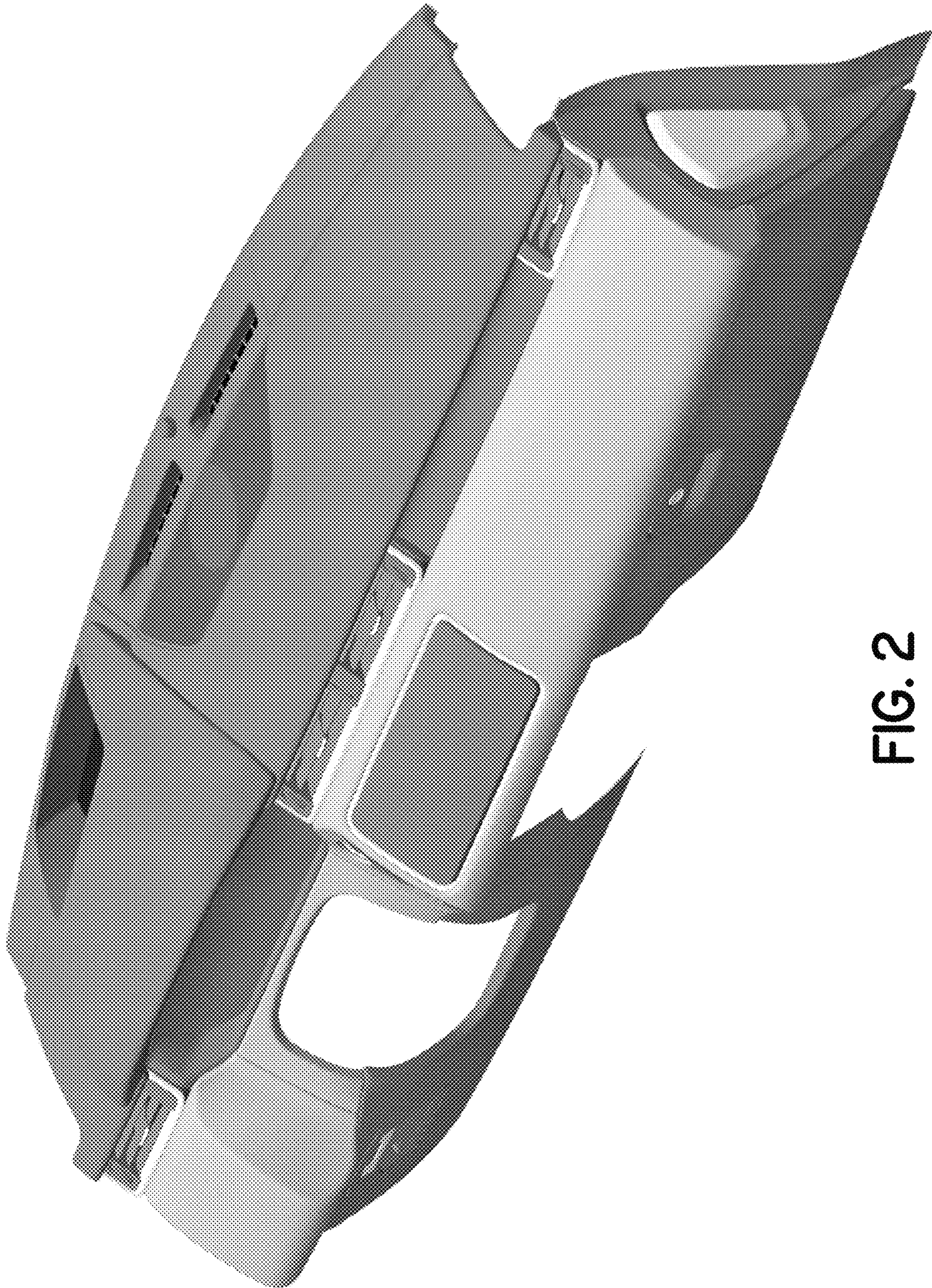


FIG. 2

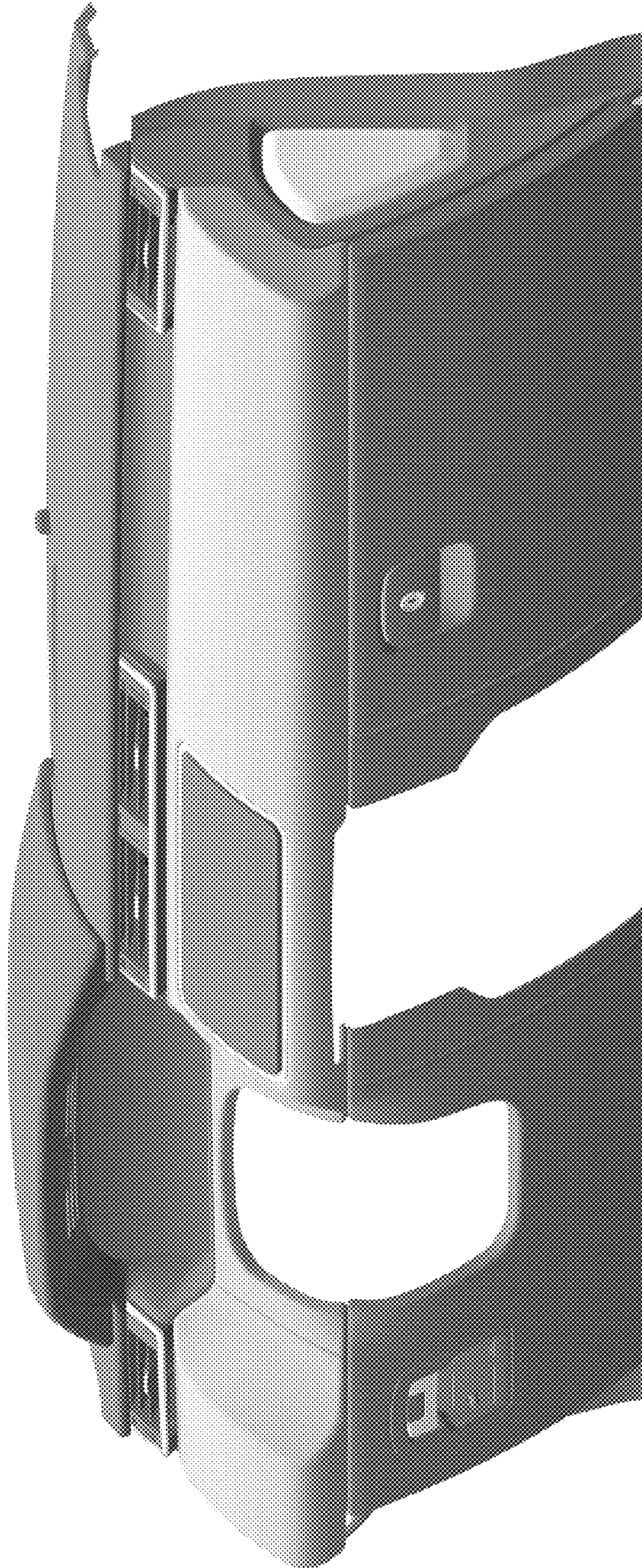


FIG. 3

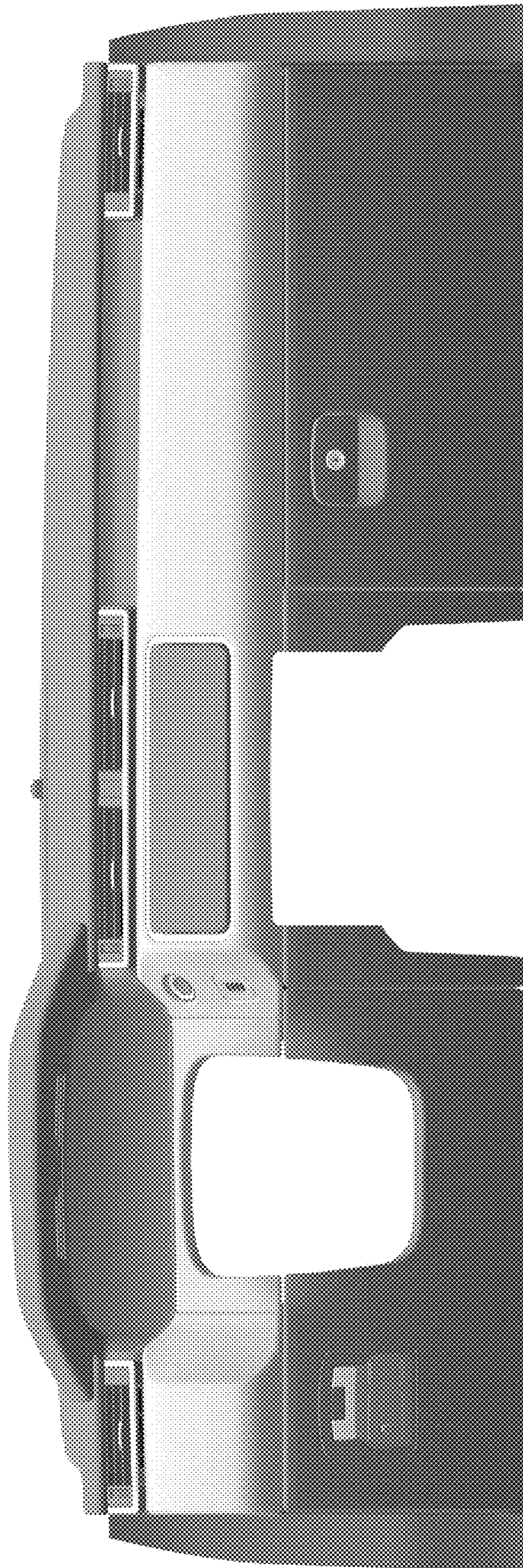


FIG. 4

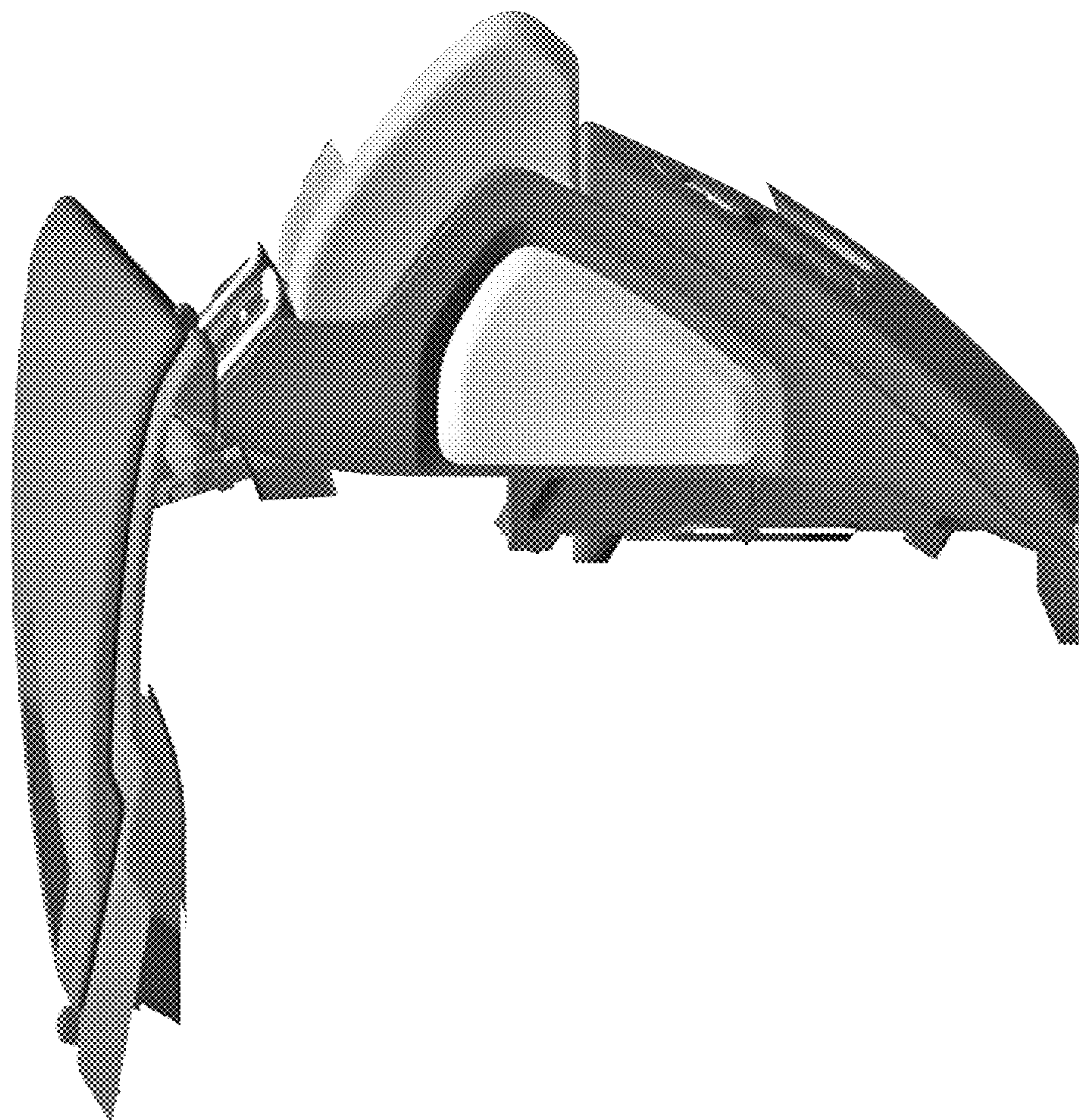


FIG. 5

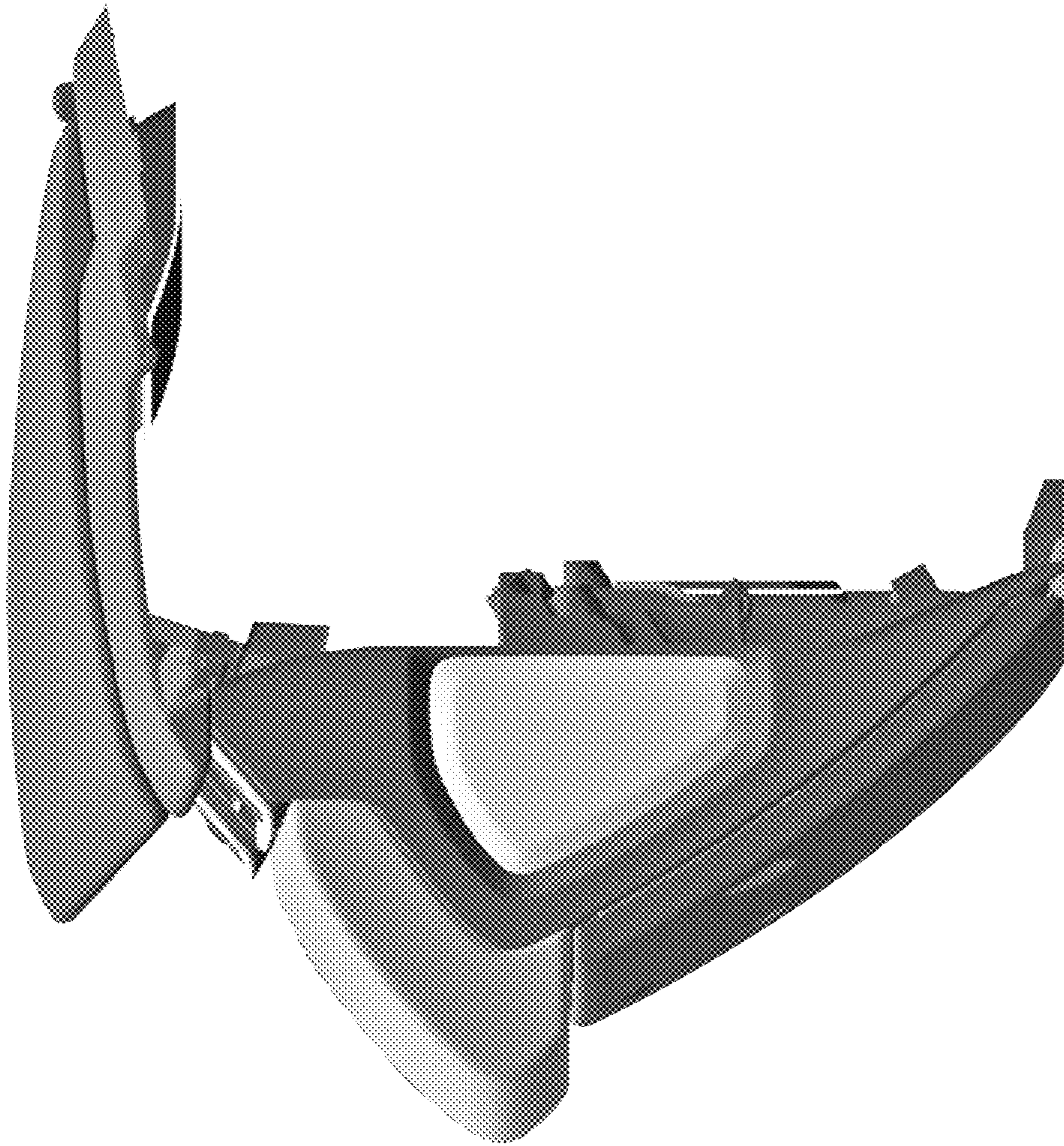


FIG. 6

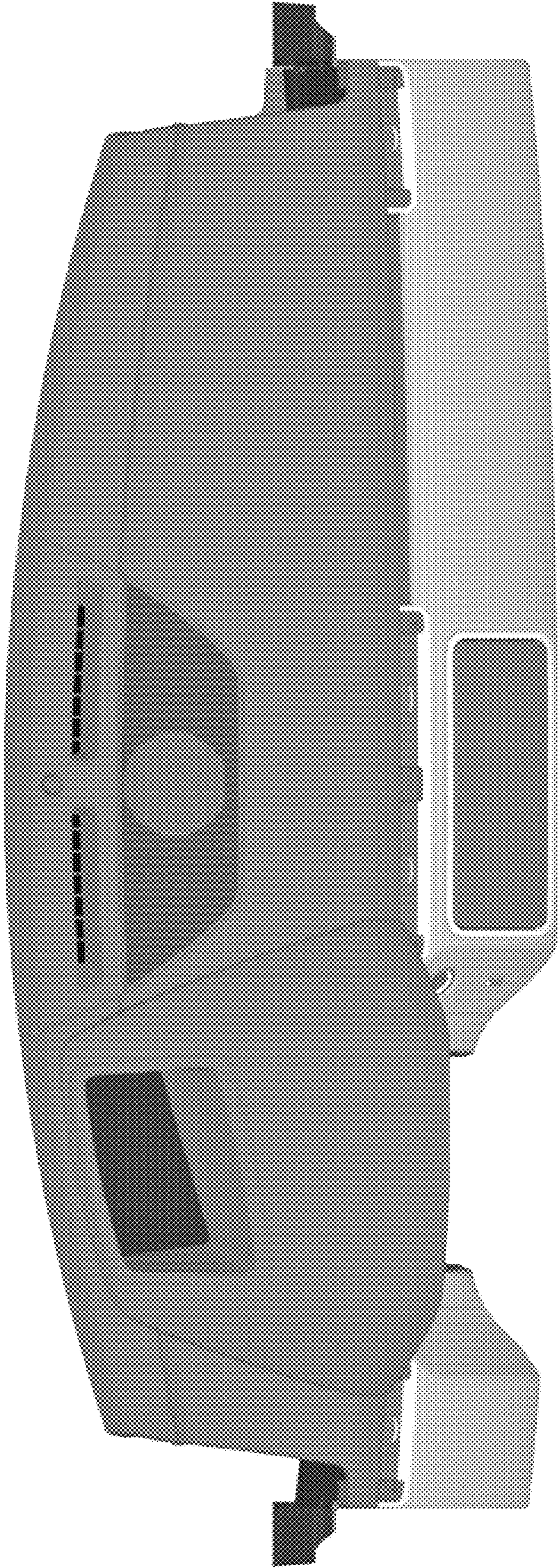


FIG. 7