

US00D874369S

(12) **United States Design Patent** (10) **Patent No.:** **US D874,369 S**
Donfrancesco et al. (45) **Date of Patent:** **** Feb. 4, 2020**

(54) **BONNET VENT FOR A VEHICLE**
(71) Applicant: **Jaguar Land Rover Limited**, Whitley, Coventry (GB)
(72) Inventors: **Adam Donfrancesco**, Coventry (GB); **Graham Humphrys**, Coventry (GB)
(73) Assignee: **Jaguar Land Rover Limited**, Whitley, Coventry (GB)
(**) Term: **15 Years**
(21) Appl. No.: **29/653,012**
(22) Filed: **Jun. 12, 2018**

D758,257 S * 6/2016 Platto D12/163
D817,236 S * 5/2018 DiCanzio D12/173
D830,258 S * 10/2018 Moffett D12/181

(Continued)

Primary Examiner — Katrina A Betton
(74) *Attorney, Agent, or Firm* — Wood Herron & Evans LLP

(30) **Foreign Application Priority Data**
Dec. 12, 2017 (EM) 004544302
(51) **LOC (12) Cl.** **12-16**
(52) **U.S. Cl.**
USPC **D12/190**; D12/181
(58) **Field of Classification Search**
USPC D12/190, 181, 192, 400, 90, 91, 92, 196,
D12/197, 198, 199, 200, 171, 172, 163,
D12/110, 114
CPC B60S 9/205; B60R 13/005; B60R 13/02
See application file for complete search history.

(57) **CLAIM**

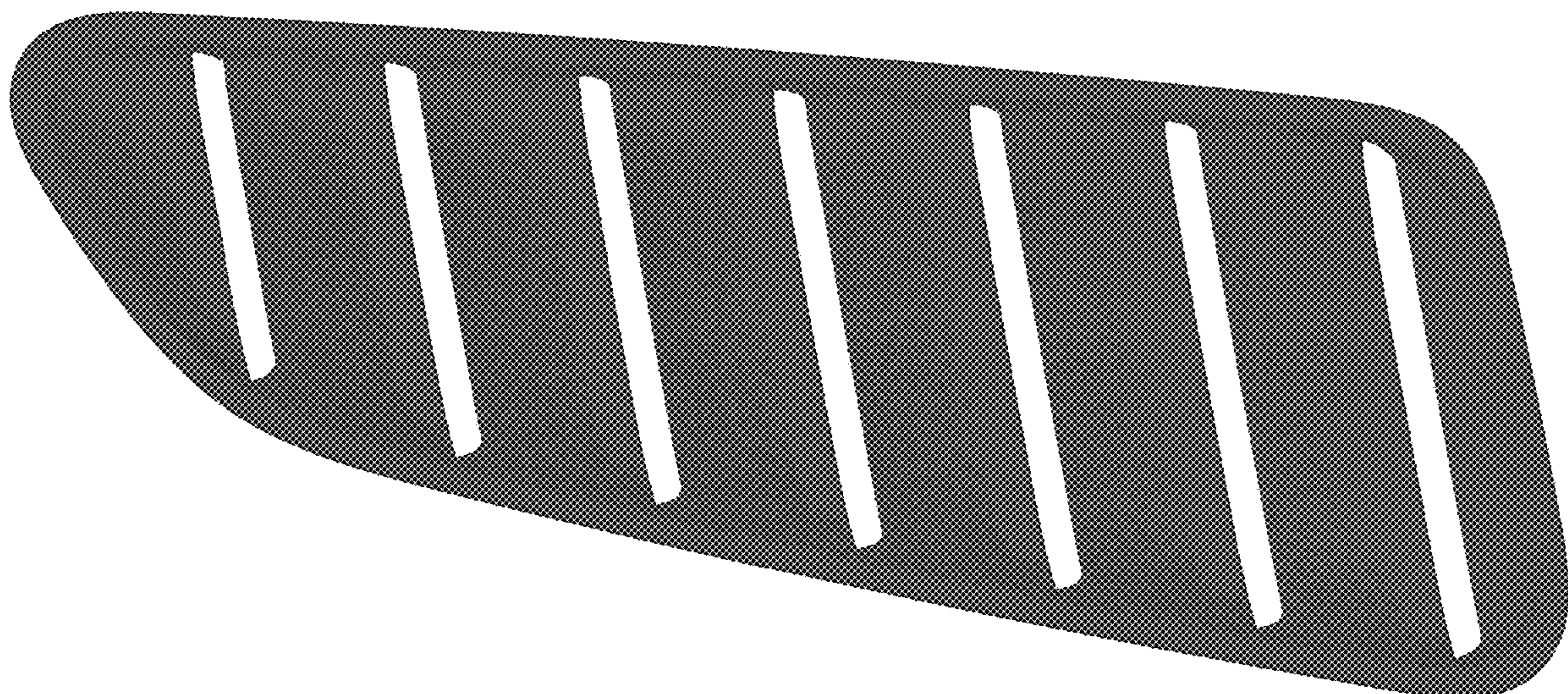
The ornamental design for a bonnet vent for a vehicle, as shown and described.

DESCRIPTION

FIG. 1 is a front left elevated perspective view of a bonnet vent for a vehicle according to the present invention. FIG. 2 is a front left perspective view thereof. FIG. 3 is a rear right elevated perspective view thereof. FIG. 4 is a rear right perspective view thereof. FIG. 5 is a front view thereof. FIG. 6 is a rear view thereof. FIG. 7 is a left side view thereof. FIG. 8 is a right side view thereof. FIG. 9 is a top view thereof. FIG. 10 is a bottom view thereof; and, FIG. 11 is a top view of the bonnet vent shown in FIGS. 1-10, but with the bonnet vent mounted on a vehicle, and the rest of the vehicle shown in de-emphasized and half-tone portions so as to illustrate environmental structure. These portions form no part of the claimed invention. More particularly, in FIG. 11, the inventive bonnet vent is shown within the broken line, and the elements shown outside the broken line form no part of the claimed invention, but are instead included to show environmental aspects thereof, and form an unclaimed boundary of the design. The invention contemplates a mirror image bonnet vent on the opposite side of the vehicle.

(56) **References Cited**
U.S. PATENT DOCUMENTS
D316,072 S * 4/1991 Wayne D12/190
5,157,377 A * 10/1992 Wayne B60K 35/00
180/69.2
D457,471 S * 5/2002 Simcox D12/173
D524,705 S * 7/2006 Bettino D12/181
D528,482 S * 9/2006 Hamburger D12/181
7,699,369 B1 * 4/2010 Buresh B60R 13/04
296/1.07
D726,080 S * 4/2015 Mays D12/173
D751,013 S * 3/2016 Curic D12/163

1 Claim, 11 Drawing Sheets



(56)

References Cited

U.S. PATENT DOCUMENTS

D850,339 S * 6/2019 Lu D12/181
D854,475 S * 7/2019 Grand D12/190

* cited by examiner

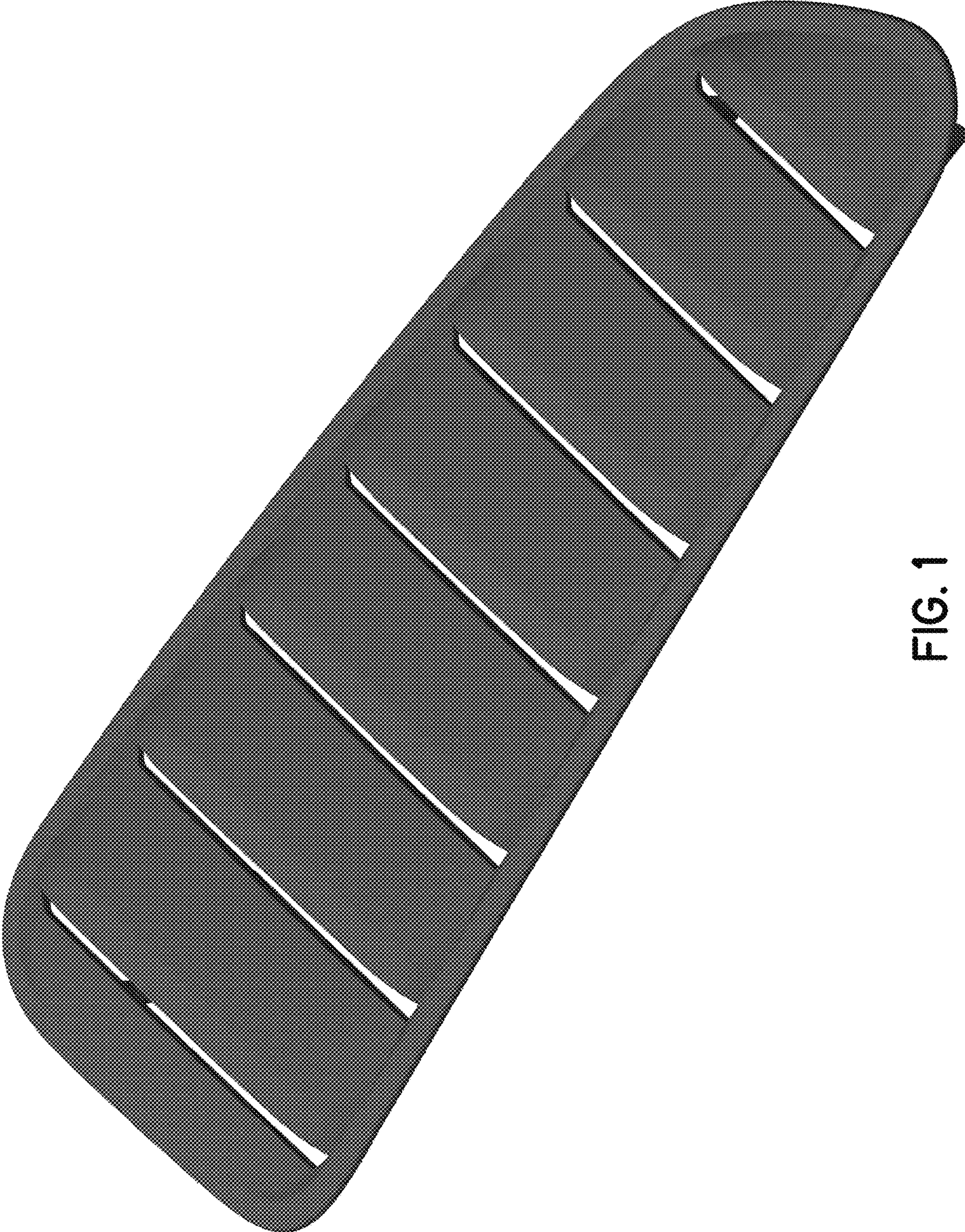


FIG. 1

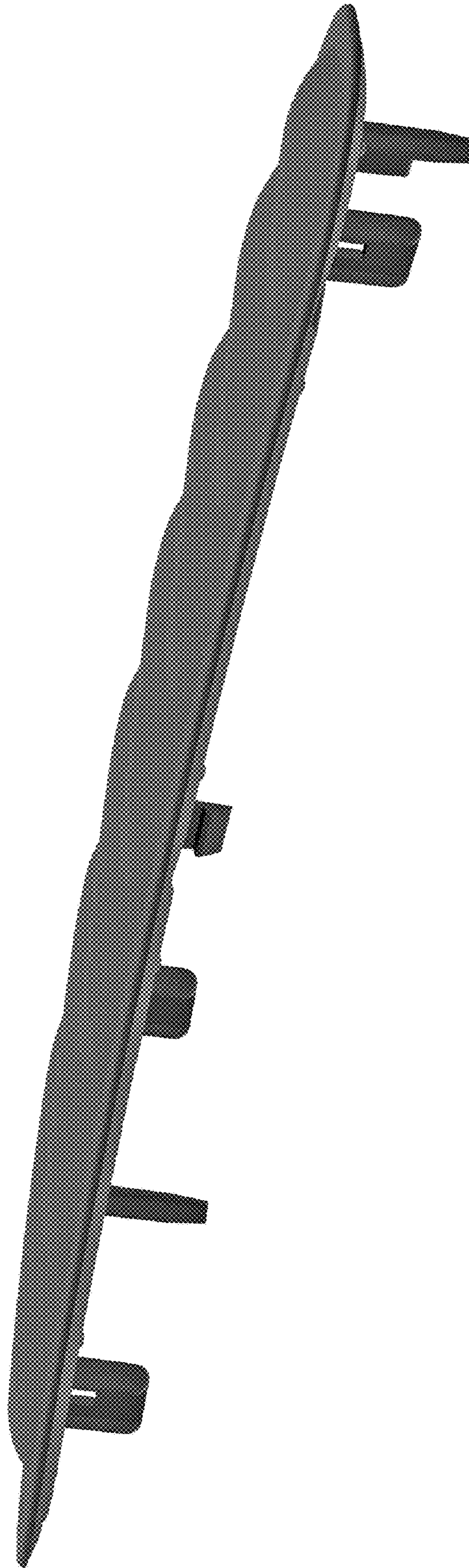


FIG. 2

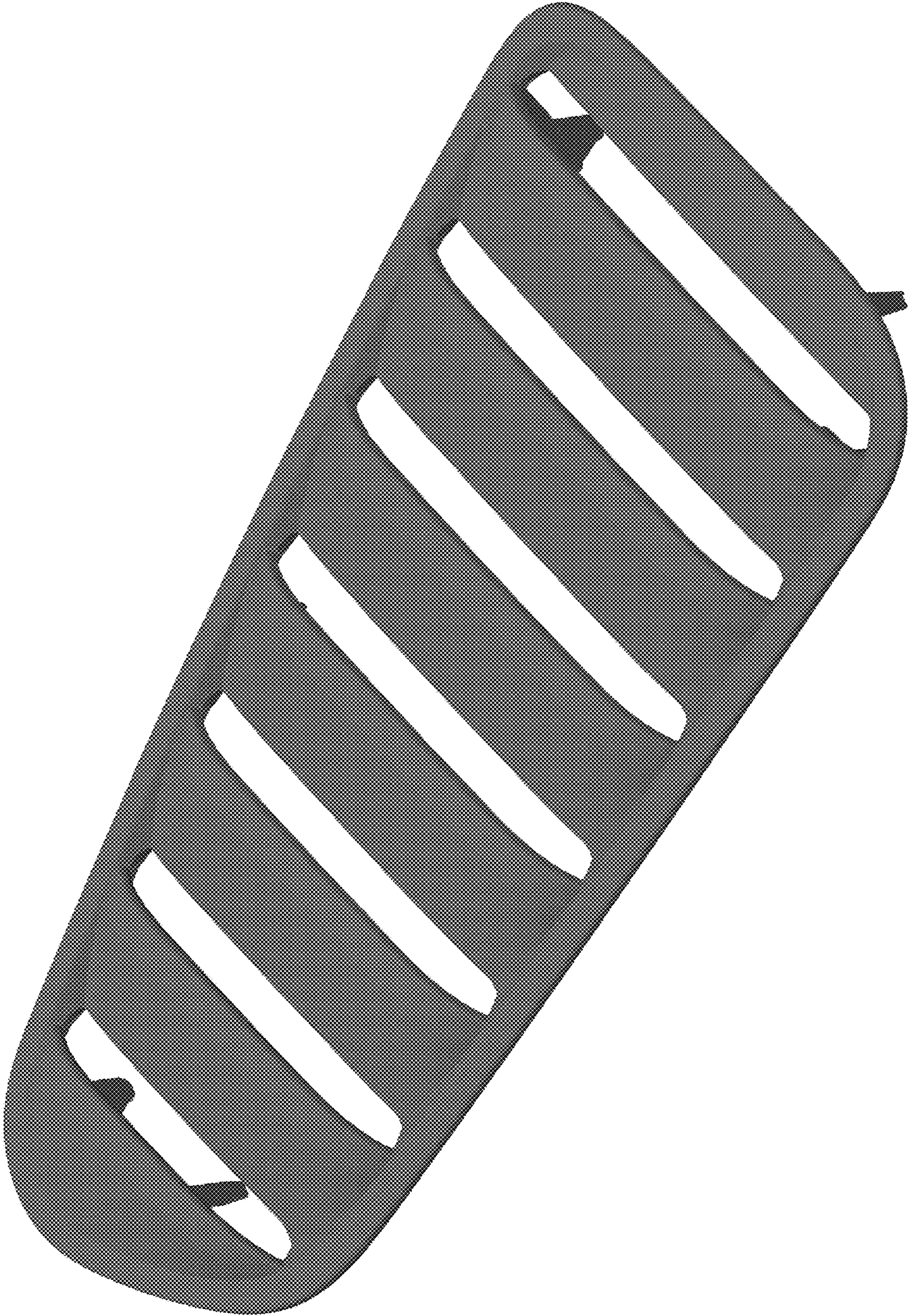


FIG. 3

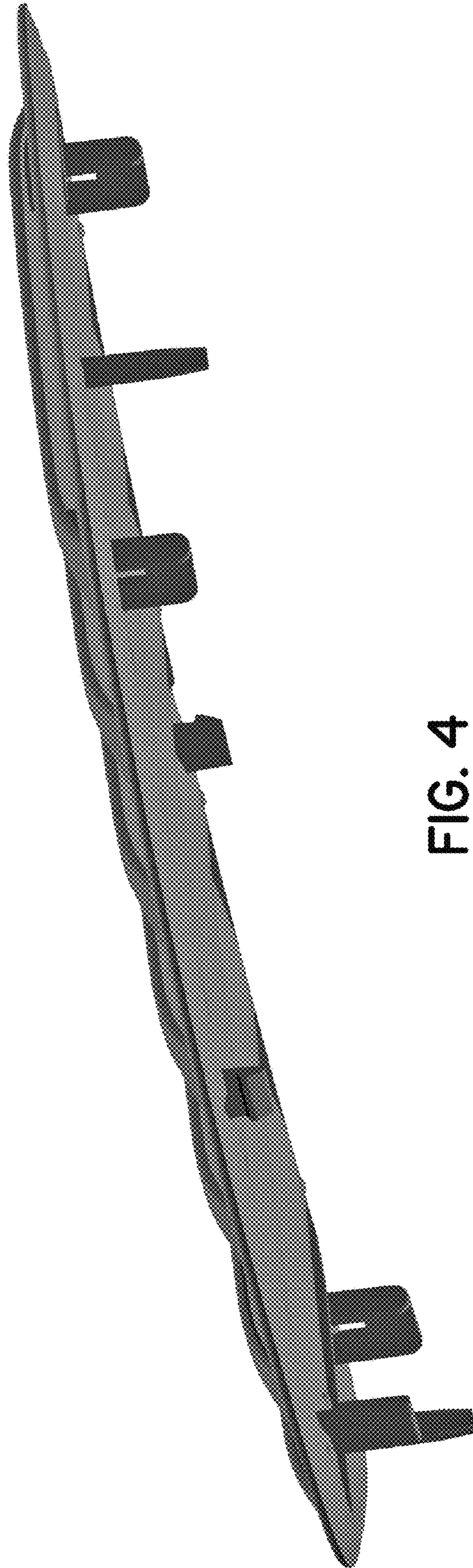


FIG. 4

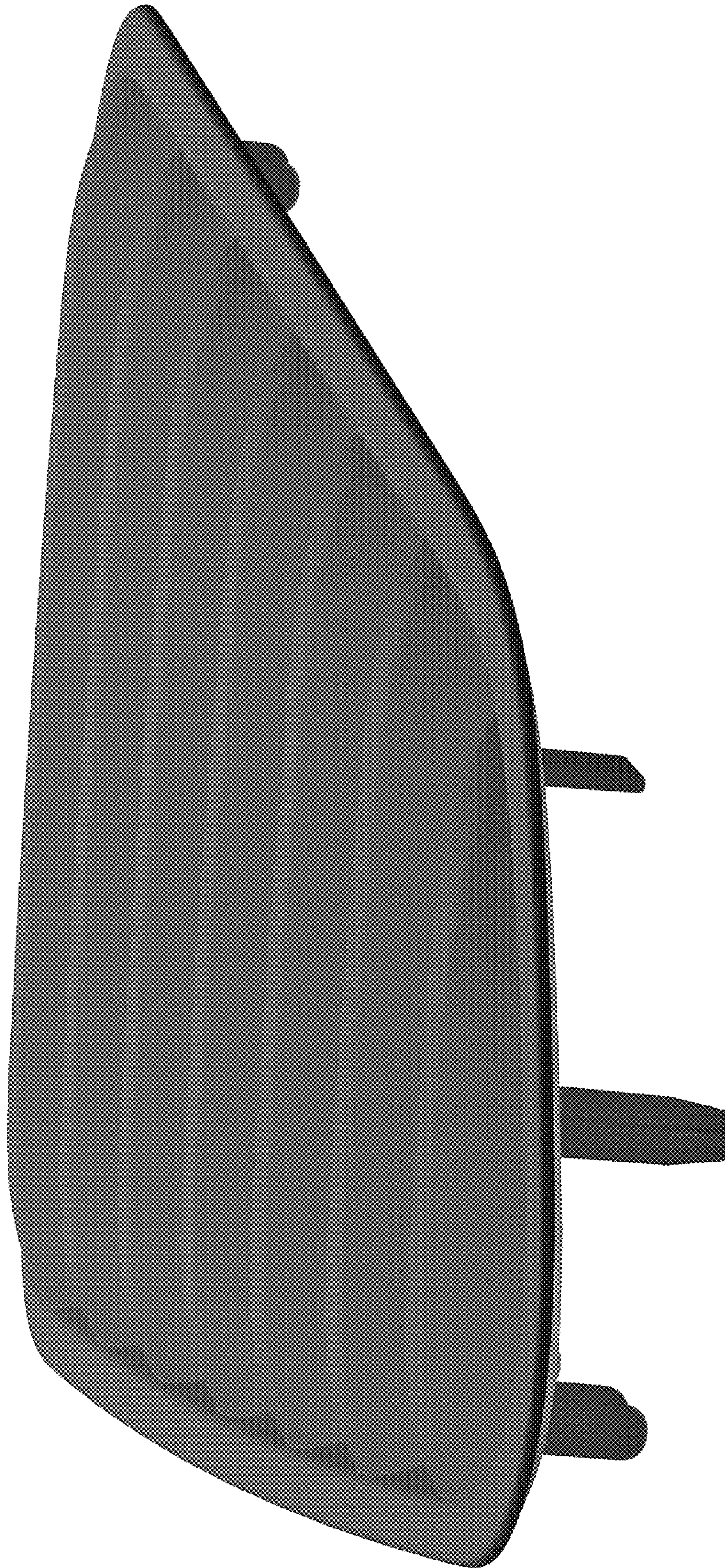


FIG. 5

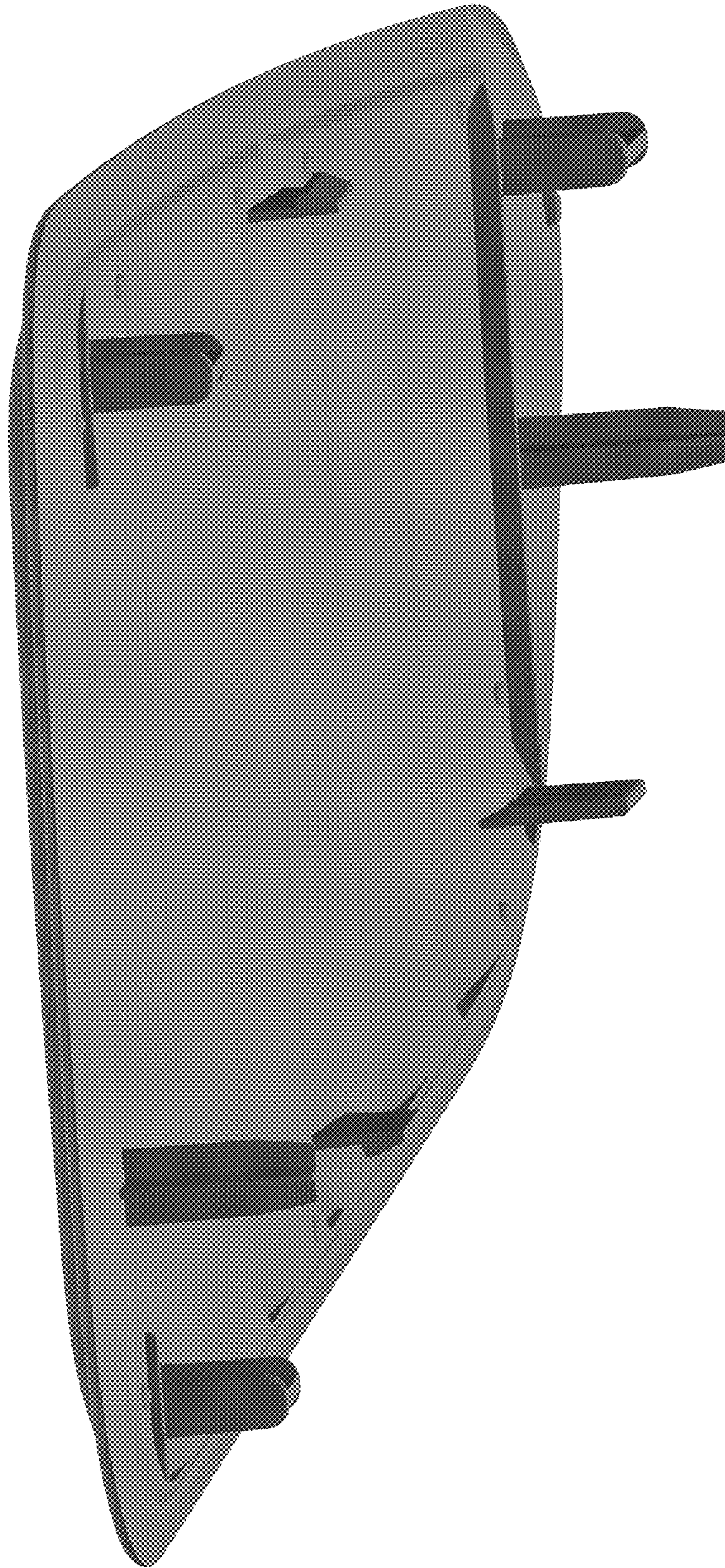


FIG. 6

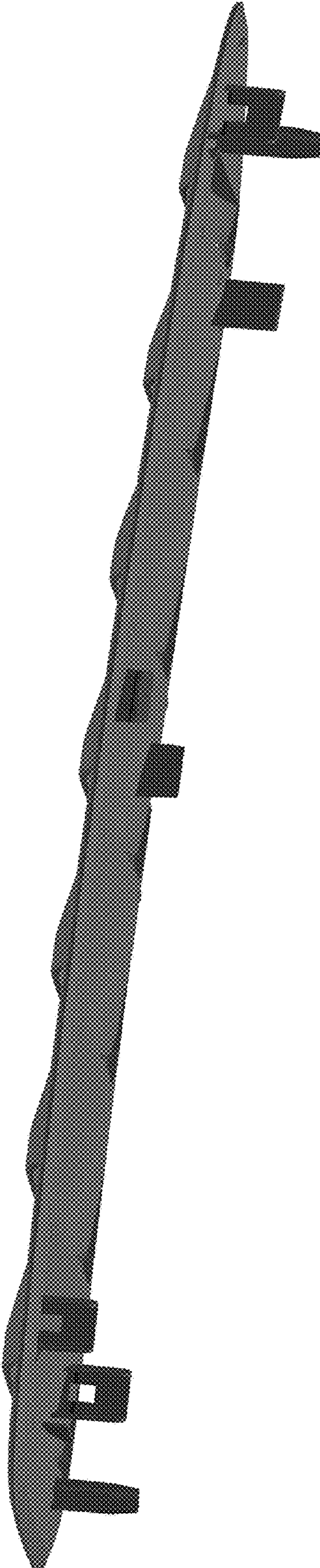


FIG. 7

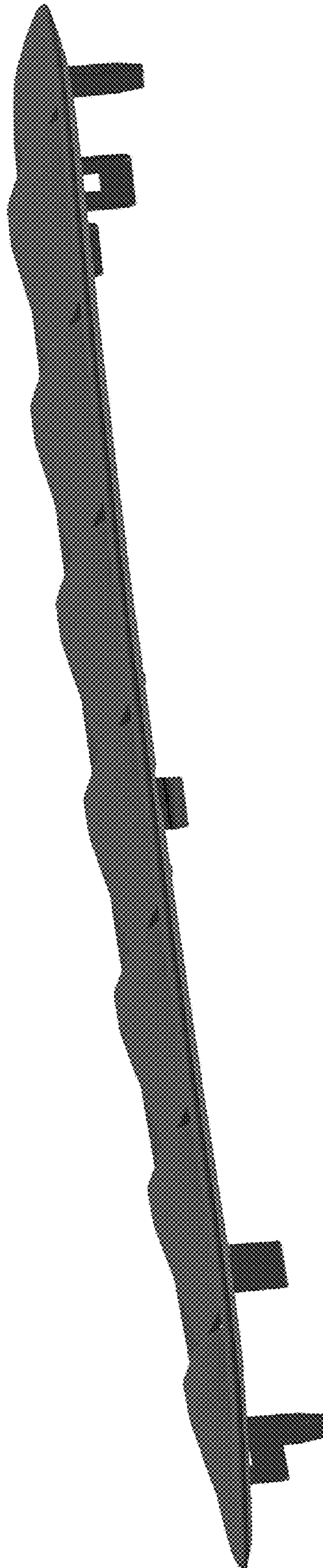


FIG. 8

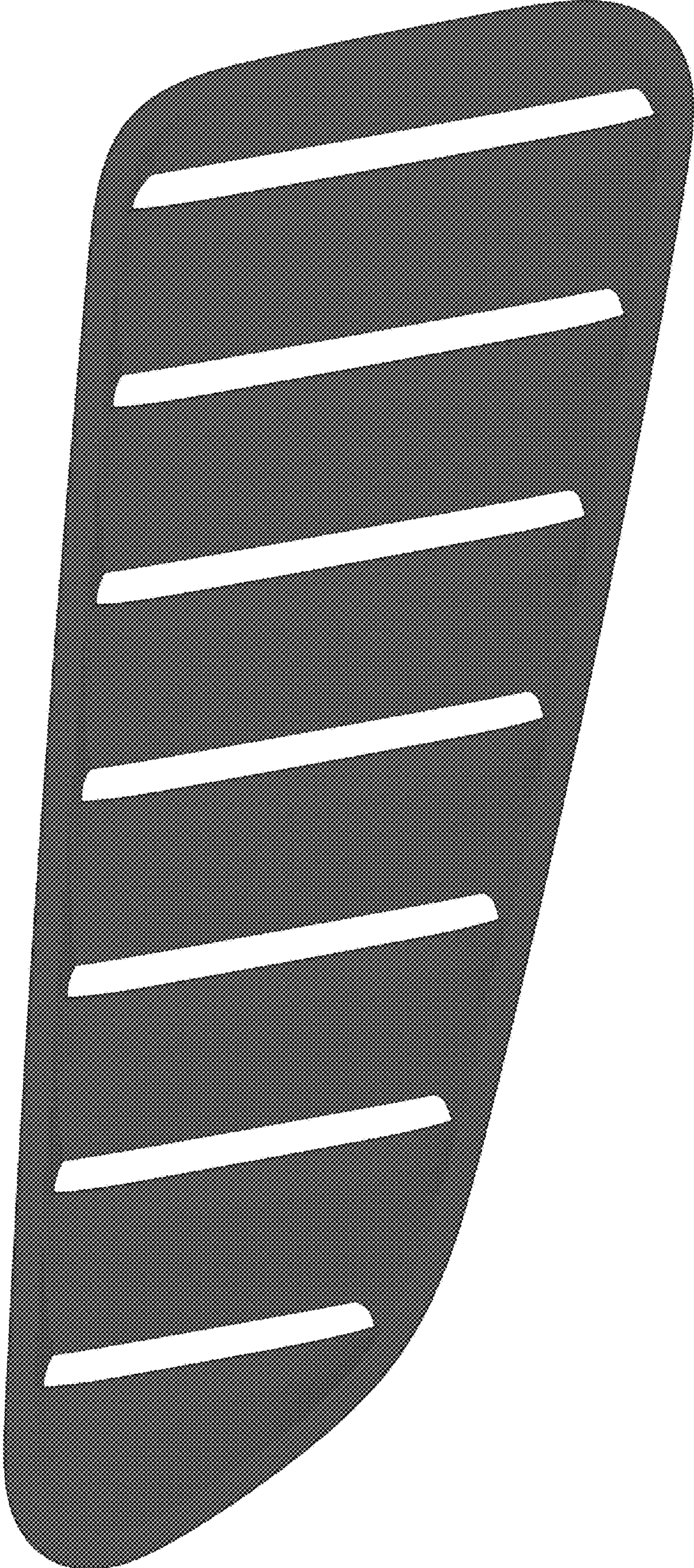


FIG. 9

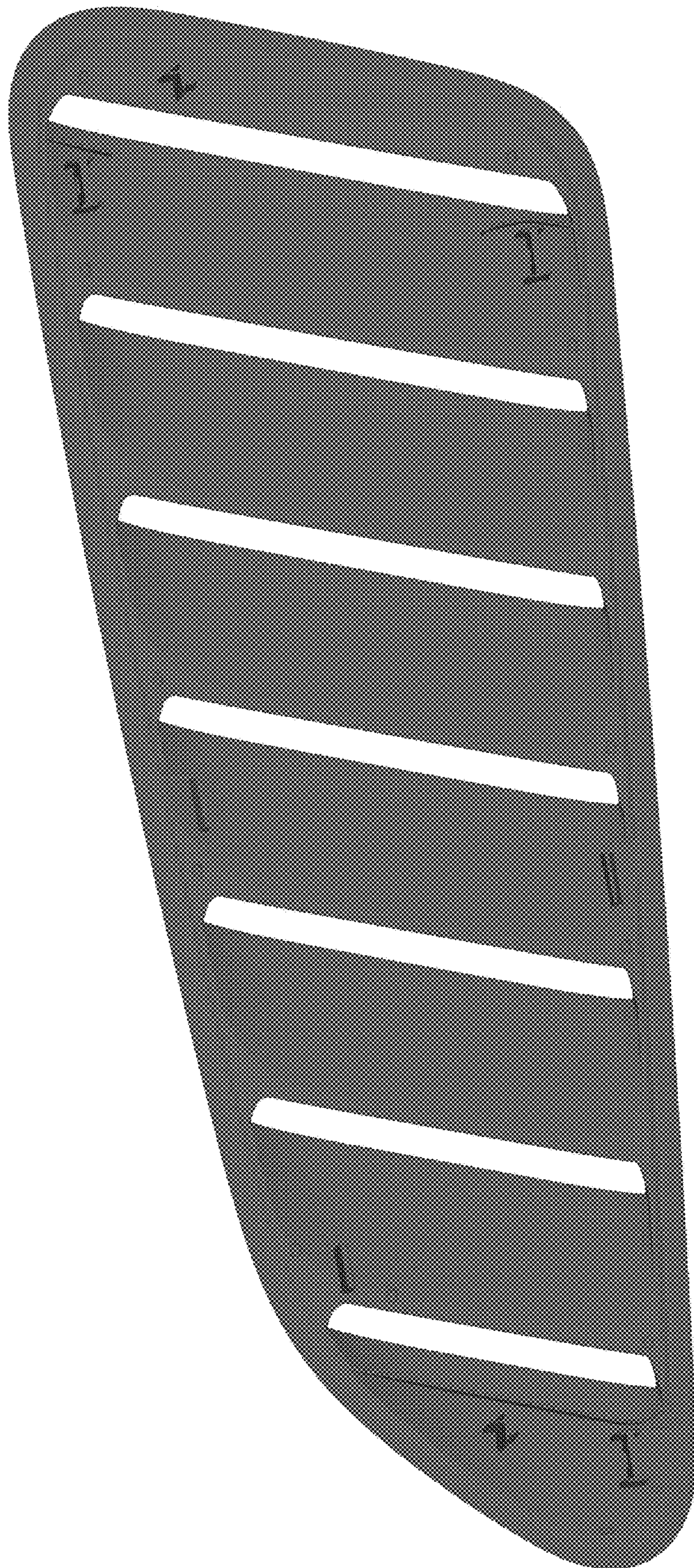


FIG. 10

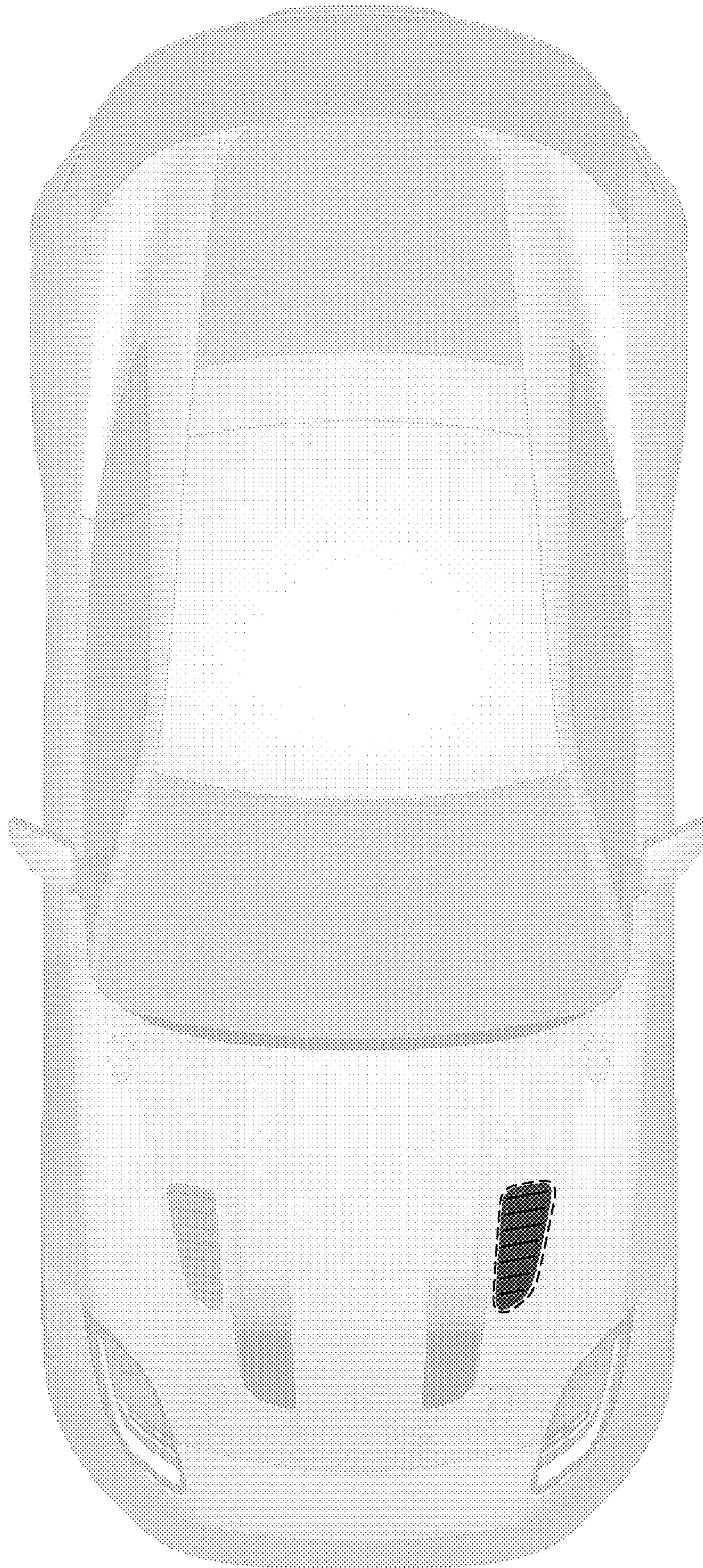


FIG. 11