



US00D874365S

(12) **United States Design Patent** (10) **Patent No.:** **US D874,365 S**  
**Woodhouse et al.** (45) **Date of Patent:** **\*\* Feb. 4, 2020**

(54) **VEHICLE FENDER**  
(71) Applicant: **Ford Global Technologies, LLC**,  
Dearborn, MI (US)  
(72) Inventors: **David Woodhouse**, Troy, MI (US);  
**Earl Lucas**, Southfield, MI (US);  
**Jaewoo Chang**, Novi, MI (US);  
**Nonthawat Kongsari**, Melbourne (AU)  
(73) Assignee: **Ford Global Technologies, LLC**,  
Dearborn, MI (US)  
(\*\*) Term: **15 Years**  
(21) Appl. No.: **29/597,052**  
(22) Filed: **Mar. 14, 2017**  
(51) **LOC (12) Cl.** ..... **12-16**  
(52) **U.S. Cl.**  
USPC ..... **D12/181**  
(58) **Field of Classification Search**  
USPC ..... D12/101, 169, 175, 177, 181, 184, 190,  
D12/196, 221, 82, 86, 90, 91, 92, 93, 96,  
D12/97, 99  
CPC ..... B62D 25/02; B62D 25/10; B62D 25/16;  
B62D 25/18; B62D 25/105  
See application file for complete search history.

D691,529 S \* 10/2013 Minamisawa ..... D12/184  
D711,797 S \* 8/2014 Tsuchida ..... D12/184  
D740,188 S \* 10/2015 Blanski ..... D12/184  
D755,096 S \* 5/2016 Wolff ..... D12/184  
D758,935 S \* 6/2016 Platto ..... D12/184  
D762,538 S \* 8/2016 Platto ..... D12/184  
D767,460 S \* 9/2016 Kozub ..... D12/196  
D769,162 S \* 10/2016 Rodriguez ..... D12/184  
D787,395 S \* 5/2017 Curic ..... D12/181  
D803,741 S \* 11/2017 Tsubaki ..... D12/181  
D805,013 S \* 12/2017 Whitla ..... D12/181  
D818,406 S \* 5/2018 McMahan ..... D12/184  
D820,751 S \* 6/2018 Luk ..... D12/184  
D821,938 S \* 7/2018 Bucher ..... D12/169  
D826,811 S \* 8/2018 Lim ..... D12/184  
D828,256 S \* 9/2018 Zipfel ..... D12/184  
D843,284 S \* 3/2019 Smith ..... D12/184

\* cited by examiner

*Primary Examiner* — Susan E Krakower  
*Assistant Examiner* — Jerry Shiuan-Hua Hsu

(57) **CLAIM**

The ornamental design for a vehicle fender, as shown.

**DESCRIPTION**

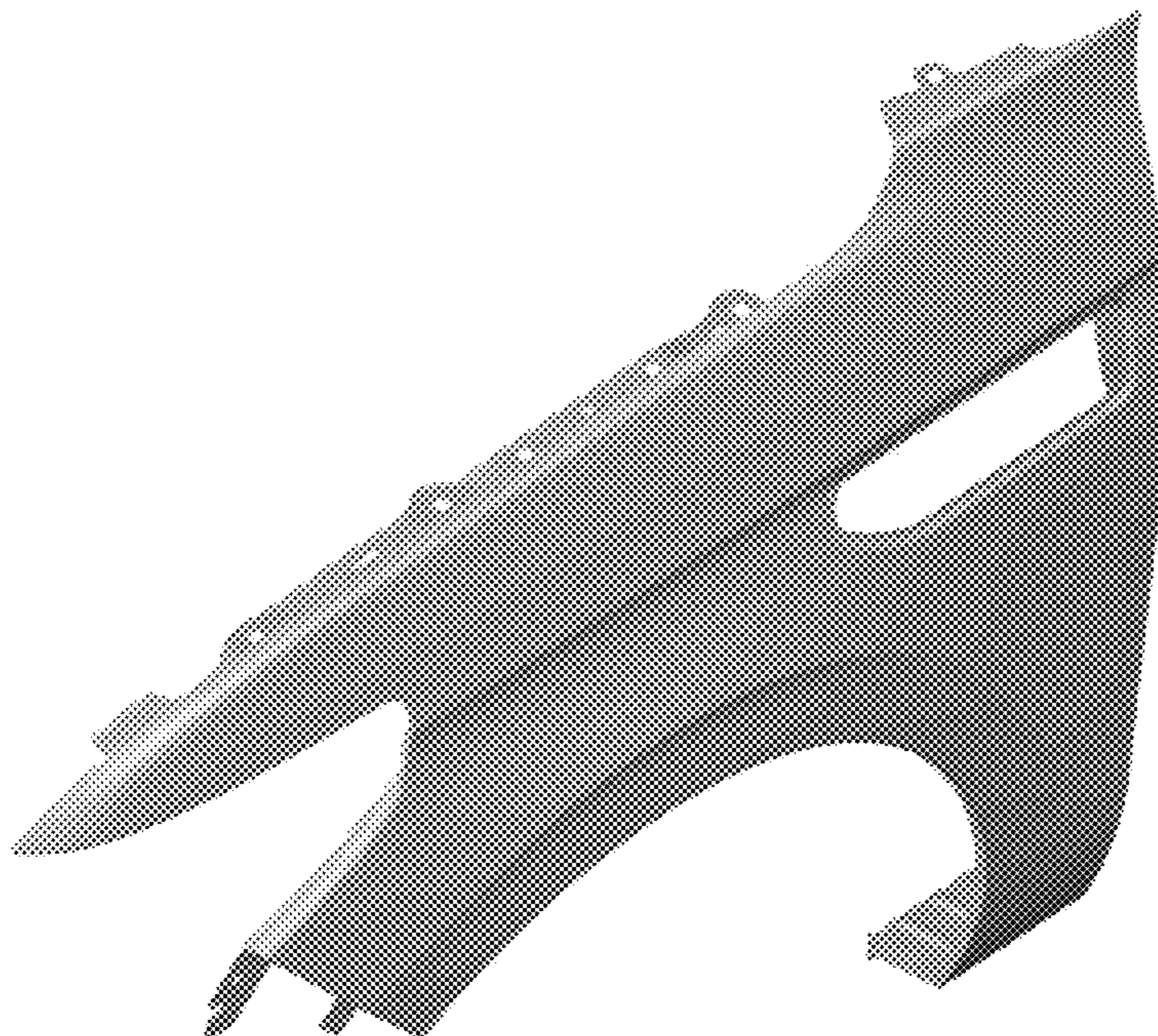
FIG. 1 a top, front perspective view of a left vehicle fender, showing our new design;  
FIG. 2 is a top and rear perspective view thereof;  
FIG. 3 is a top, rear perspective view thereof;  
FIG. 4 is a front elevational view thereof;  
FIG. 5 is a rear elevational view thereof;  
FIG. 6 is a left side elevational view thereof;  
FIG. 7 is a right side elevational view thereof;  
FIG. 8 is a top plan view thereof; and,  
FIG. 9 is a bottom plan view thereof.

**1 Claim, 9 Drawing Sheets**

(56) **References Cited**

U.S. PATENT DOCUMENTS

D591,213 S \* 4/2009 Woolley ..... D12/184  
D597,459 S \* 8/2009 Wagner ..... D12/184  
D615,012 S \* 5/2010 Ectors ..... D12/181  
D630,985 S \* 1/2011 Matei ..... D12/181  
D669,829 S \* 10/2012 Iwao ..... D12/184  
D683,679 S \* 6/2013 Platto ..... D12/184



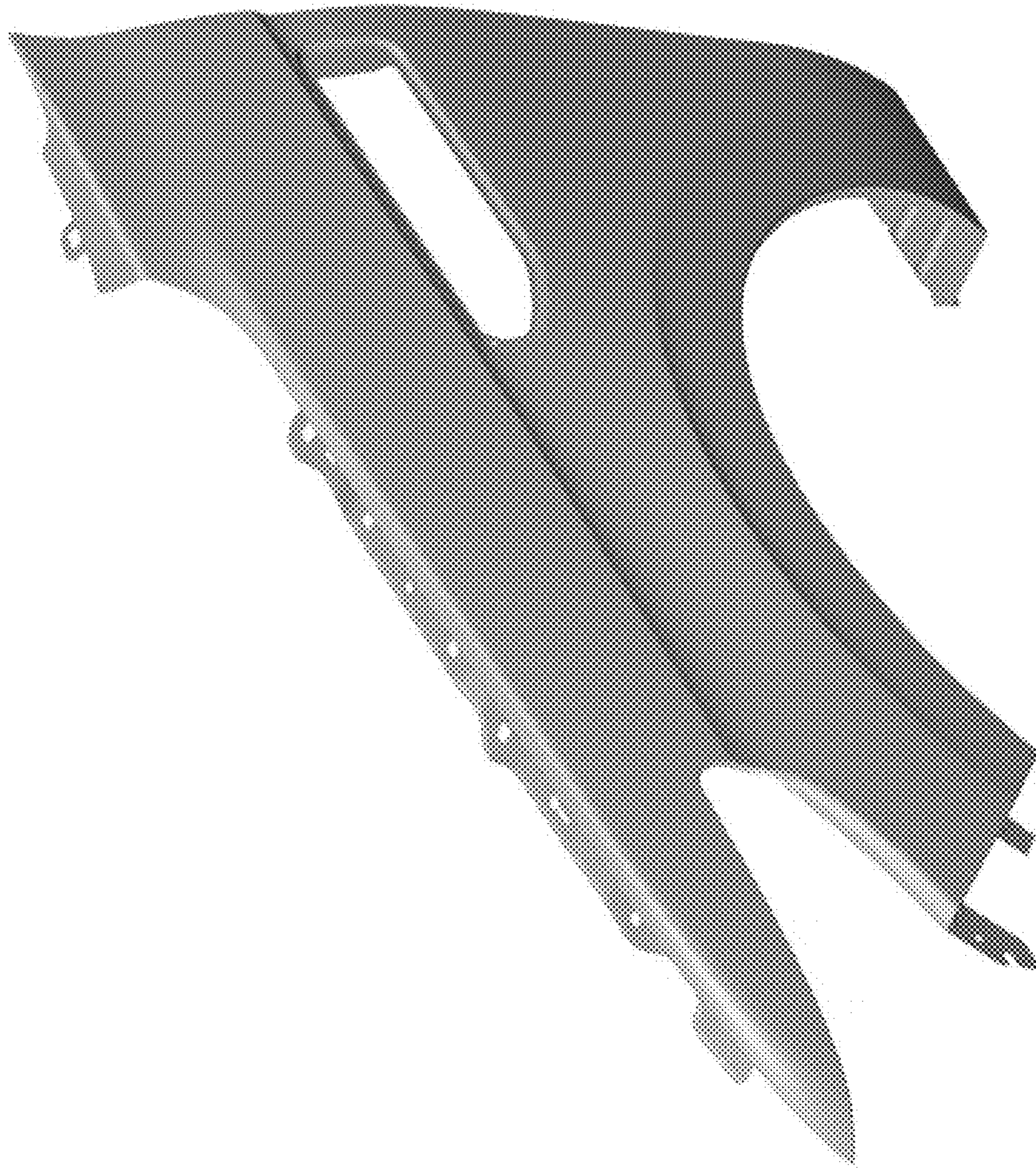


FIG. 1



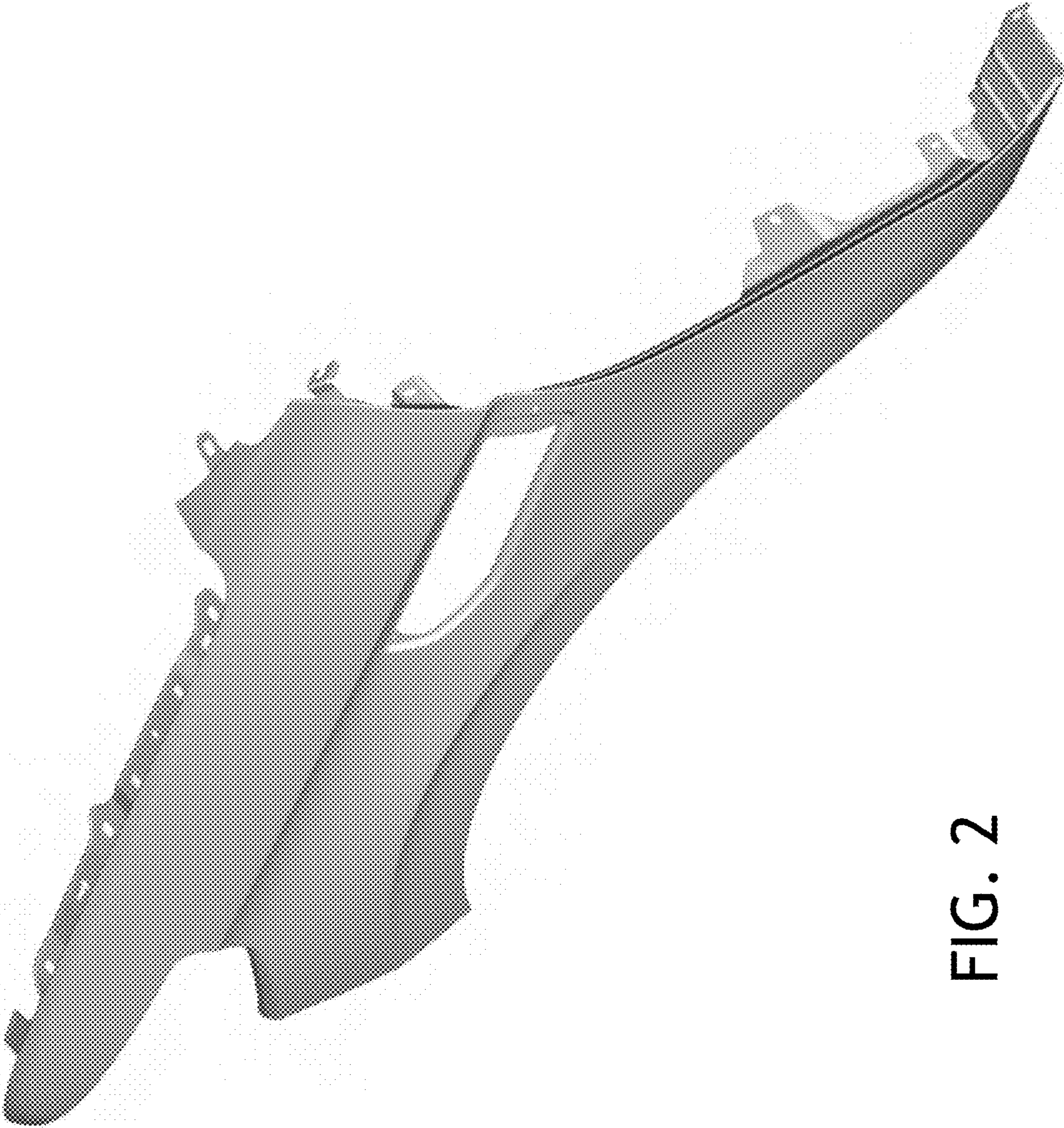


FIG. 2

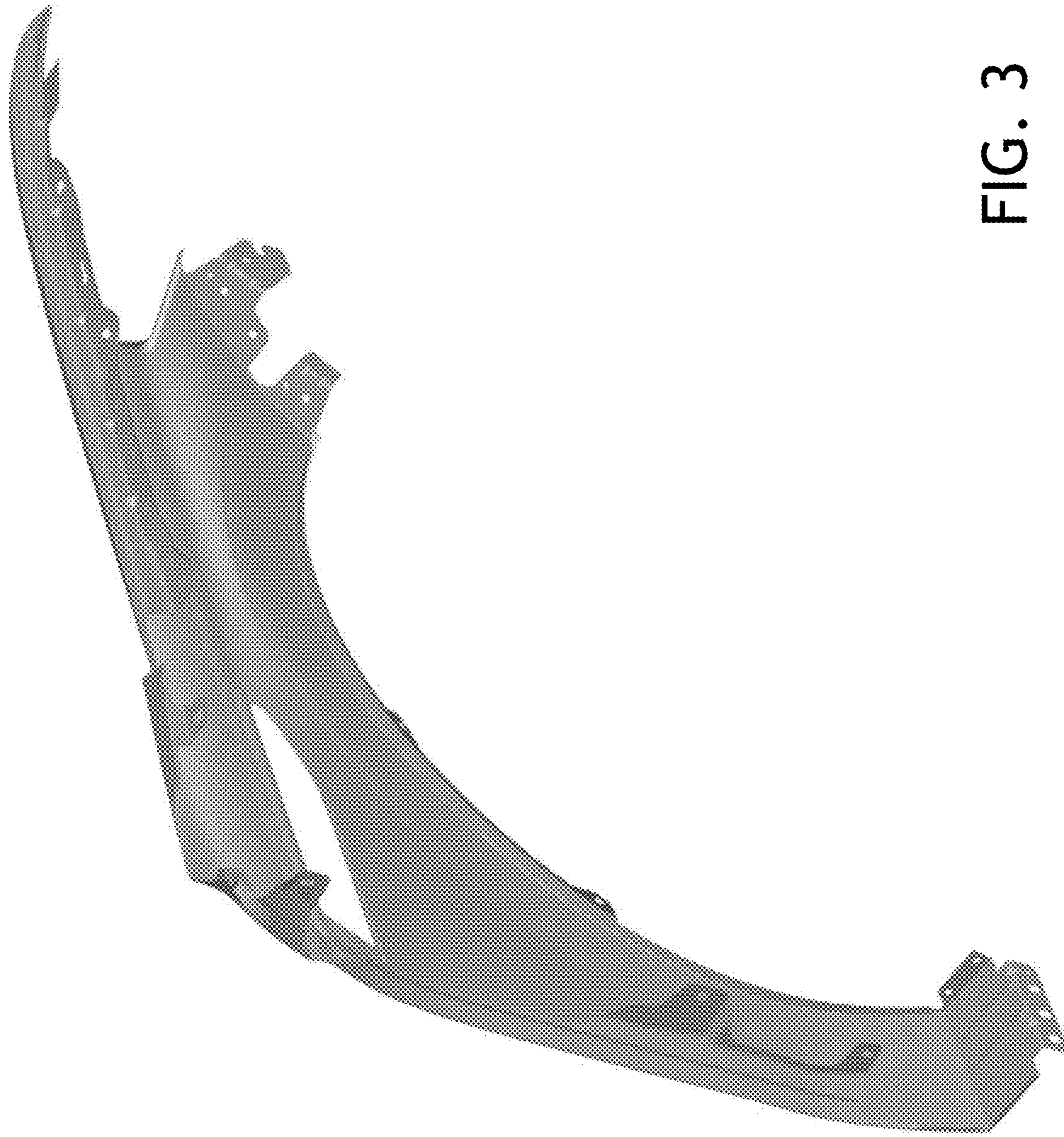


FIG. 3

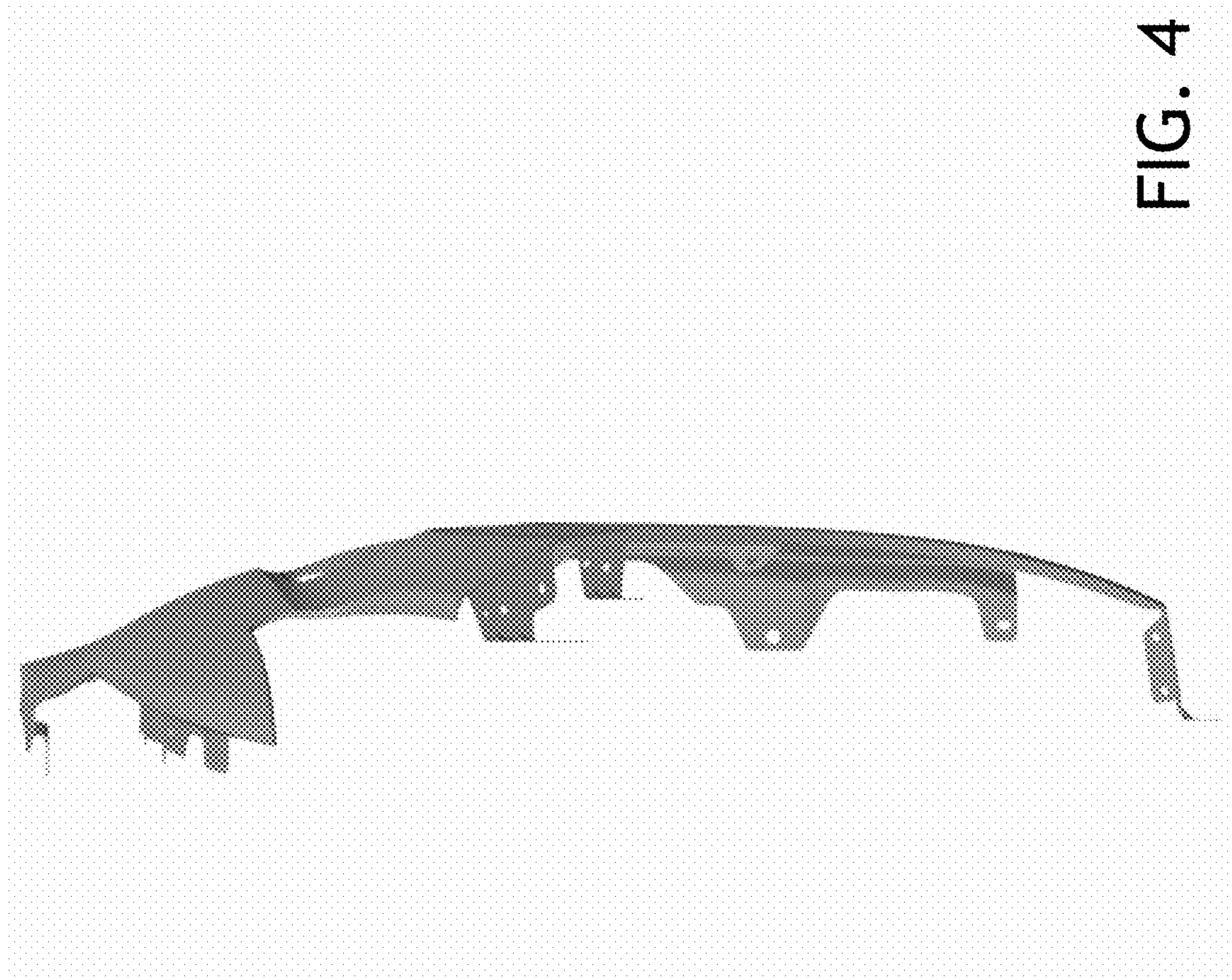


FIG. 4



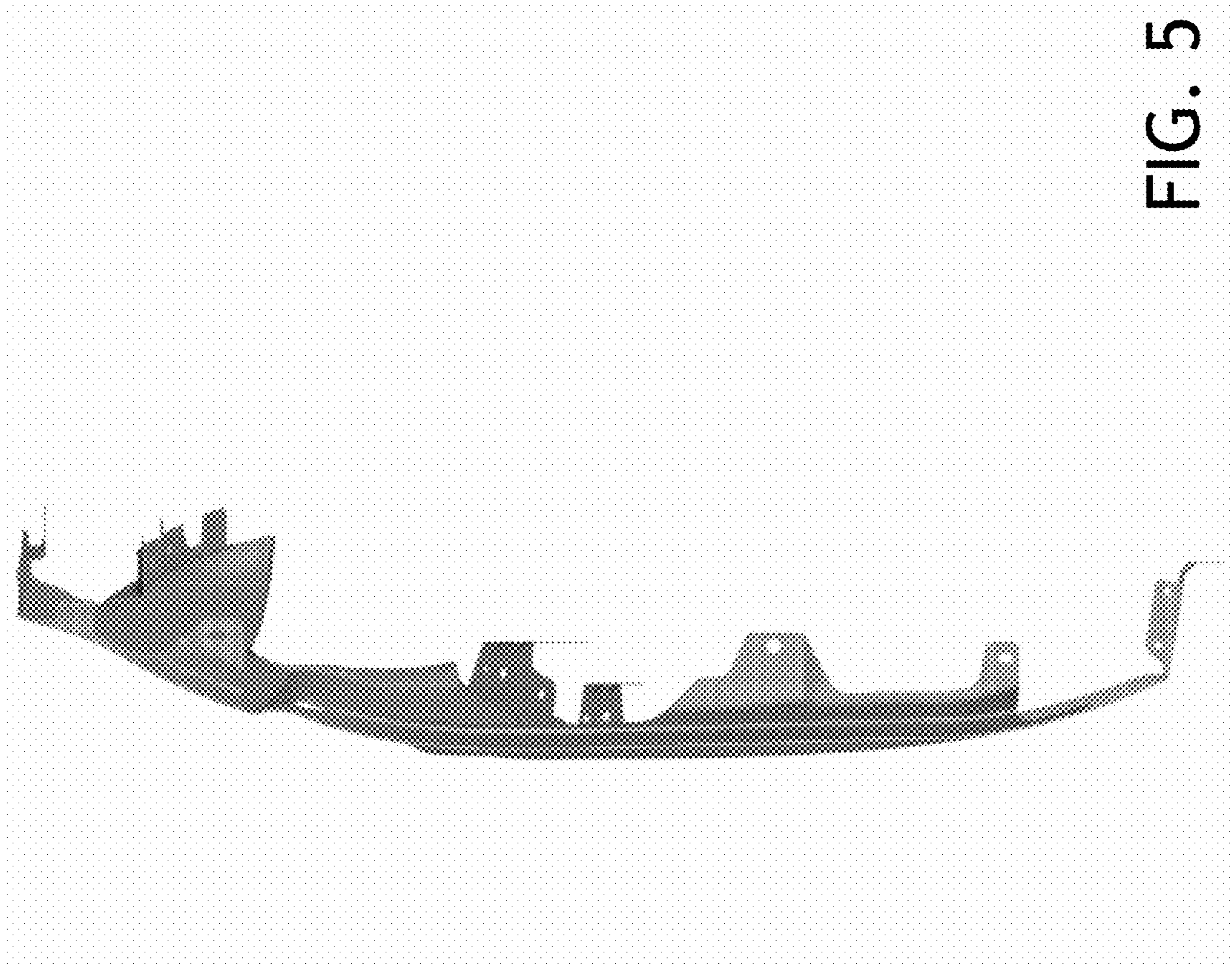


FIG. 5



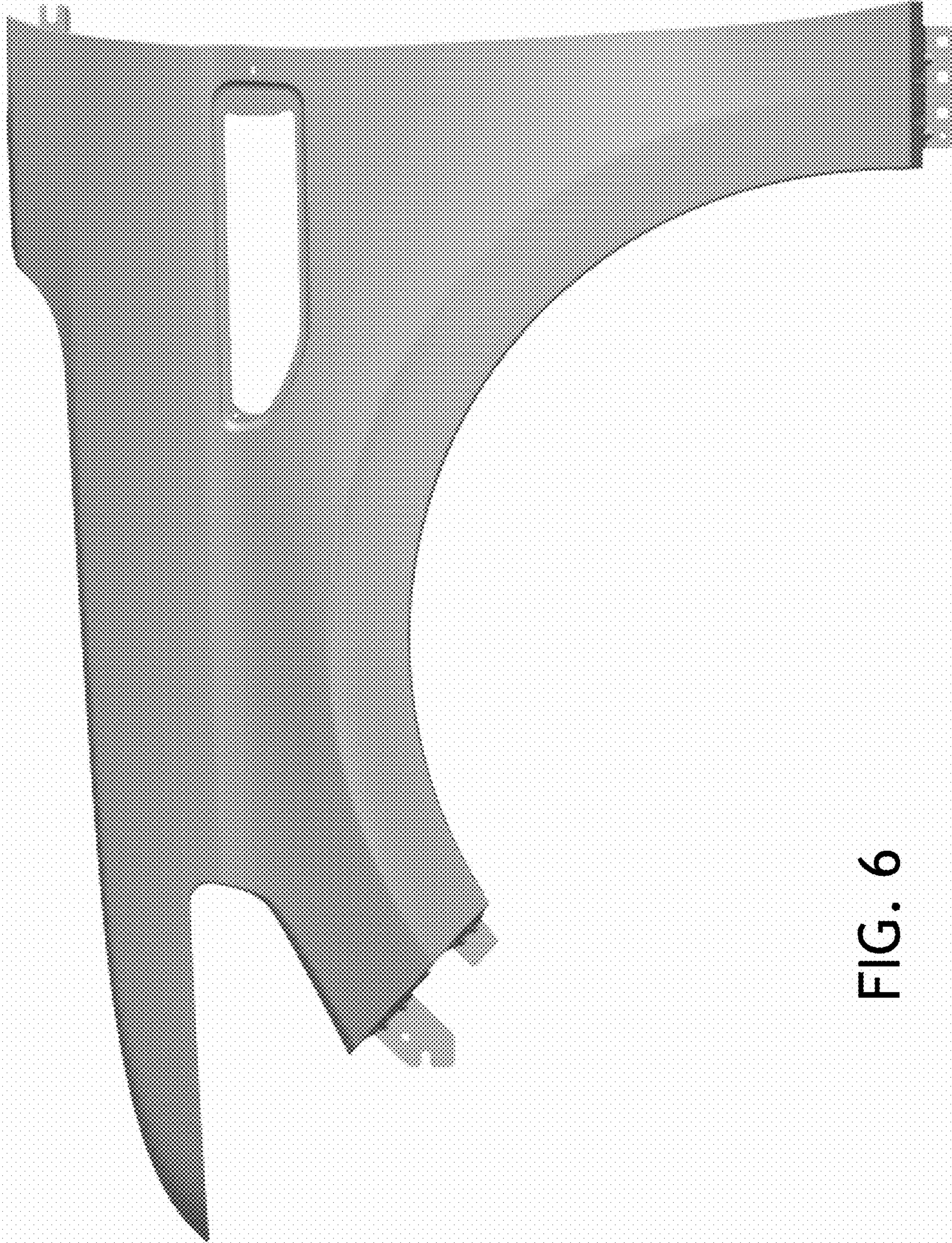


FIG. 6



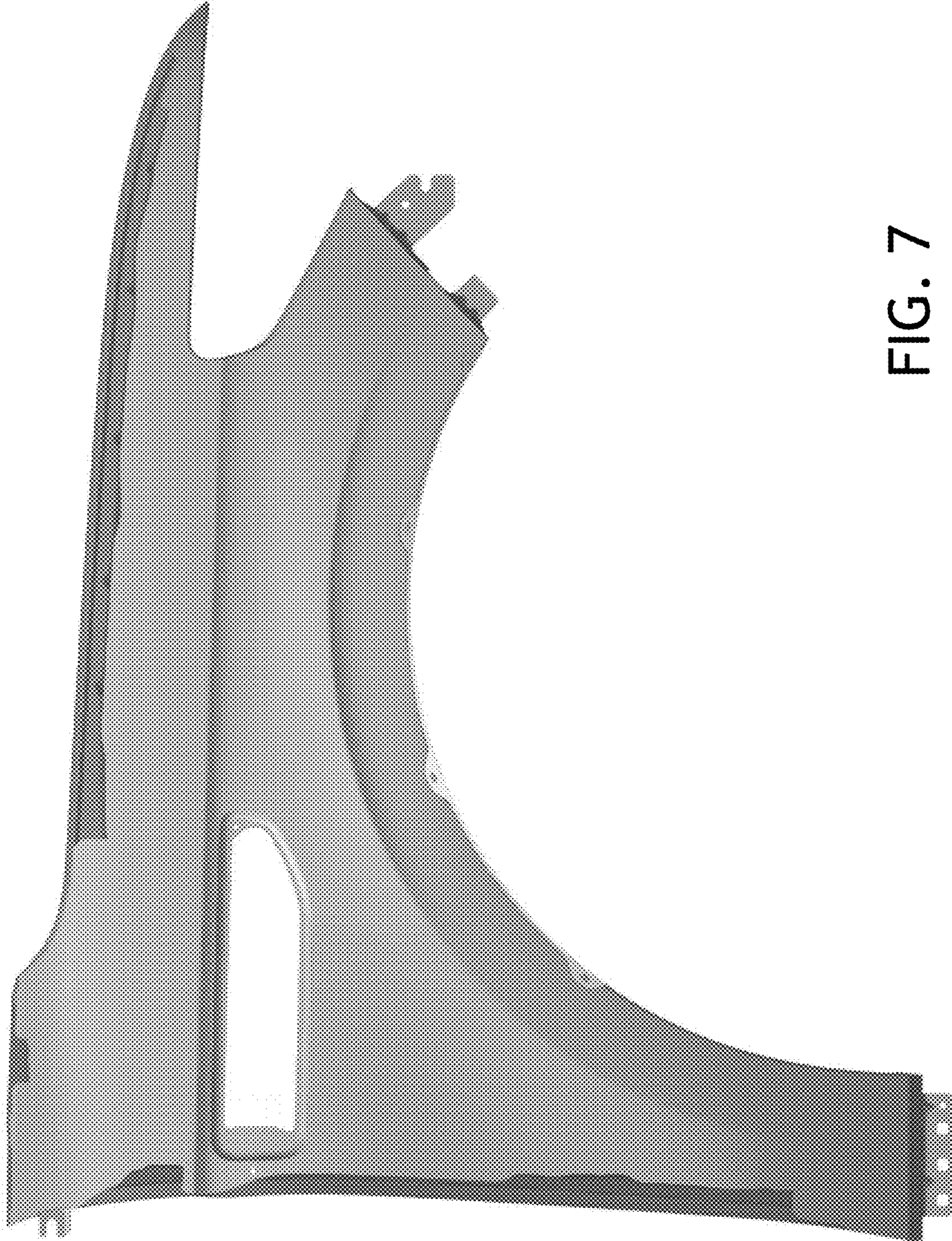


FIG. 7



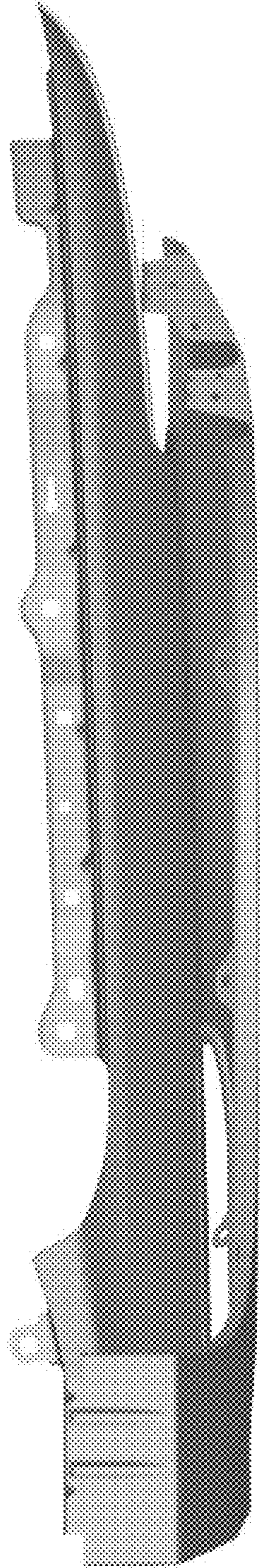


FIG. 8

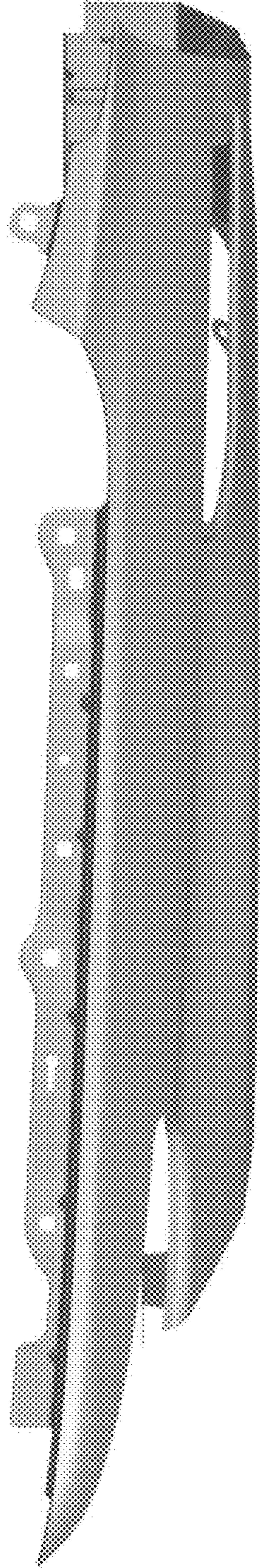


FIG. 9