



US00D874357S

(12) **United States Design Patent** (10) **Patent No.:** **US D874,357 S**  
**Brennan et al.** (45) **Date of Patent:** **\*\* Feb. 4, 2020**

- (54) **CONTAINER BRACKET**
- (71) Applicant: **APEX COOLERS, LLC**, Dallas, TX (US)
- (72) Inventors: **Sean Brennan**, Dallas, TX (US); **Craig A. Smith**, Argyle, TX (US)
- (73) Assignee: **APEX COOLERS, LLC**, Dallas, TX (US)
- (\*\*) Term: **15 Years**
- (21) Appl. No.: **29/679,871**
- (22) Filed: **Feb. 11, 2019**

- 7,967,320 B2 \* 6/2011 Anderson ..... B60D 1/345 280/405.1
- D684,033 S \* 6/2013 Preda ..... D8/354
- D697,391 S \* 1/2014 Le ..... D8/381
- D699,549 S \* 2/2014 Giessmann ..... D8/380
- D728,348 S \* 5/2015 Munson ..... D8/354
- D730,719 S \* 6/2015 Sundberg ..... D8/354
- D754,838 S \* 4/2016 Penlesky ..... D23/393
- D815,314 S \* 4/2018 Ralph ..... D25/199
- D815,315 S \* 4/2018 Ralph ..... D25/199
- D817,150 S \* 5/2018 Nelson ..... D8/354
- D821,850 S \* 7/2018 Tyrer ..... D8/354

(Continued)

*Primary Examiner* — Susan E Krakower  
*Assistant Examiner* — Jerry Shiuan-Hua Hsu  
(74) *Attorney, Agent, or Firm* — Bell Nunnally & Martin LLP

**Related U.S. Application Data**

- (63) Continuation of application No. 29/605,327, filed on May 25, 2017, now Pat. No. Des. 840,281.
- (51) **LOC (12) Cl.** ..... **12-16**
- (52) **U.S. Cl.**  
USPC ..... **D12/162**
- (58) **Field of Classification Search**  
USPC ..... D12/162, 159, 160, 161, 203, 223, 400;  
D8/354, 380, 349, 381; D19/34.1;  
D26/138; D25/199; D23/393  
CPC ..... B60D 1/02; B60D 1/52; B60D 1/345  
See application file for complete search history.

(57) **CLAIM**

The ornamental design for a container bracket, as shown and described.

**DESCRIPTION**

FIG. 1 is a top, left, back perspective view of a container bracket in accordance with our new design, shown in a state of use;  
FIG. 2 is a top, left, back perspective view thereof, shown in a state of use;  
FIG. 3 is a right side view thereof;  
FIG. 4 is a left side view thereof;  
FIG. 5 is a top plan view thereof;  
FIG. 6 is a bottom plan view thereof;  
FIG. 7 is a front view thereof; and,  
FIG. 8 is a back view thereof.

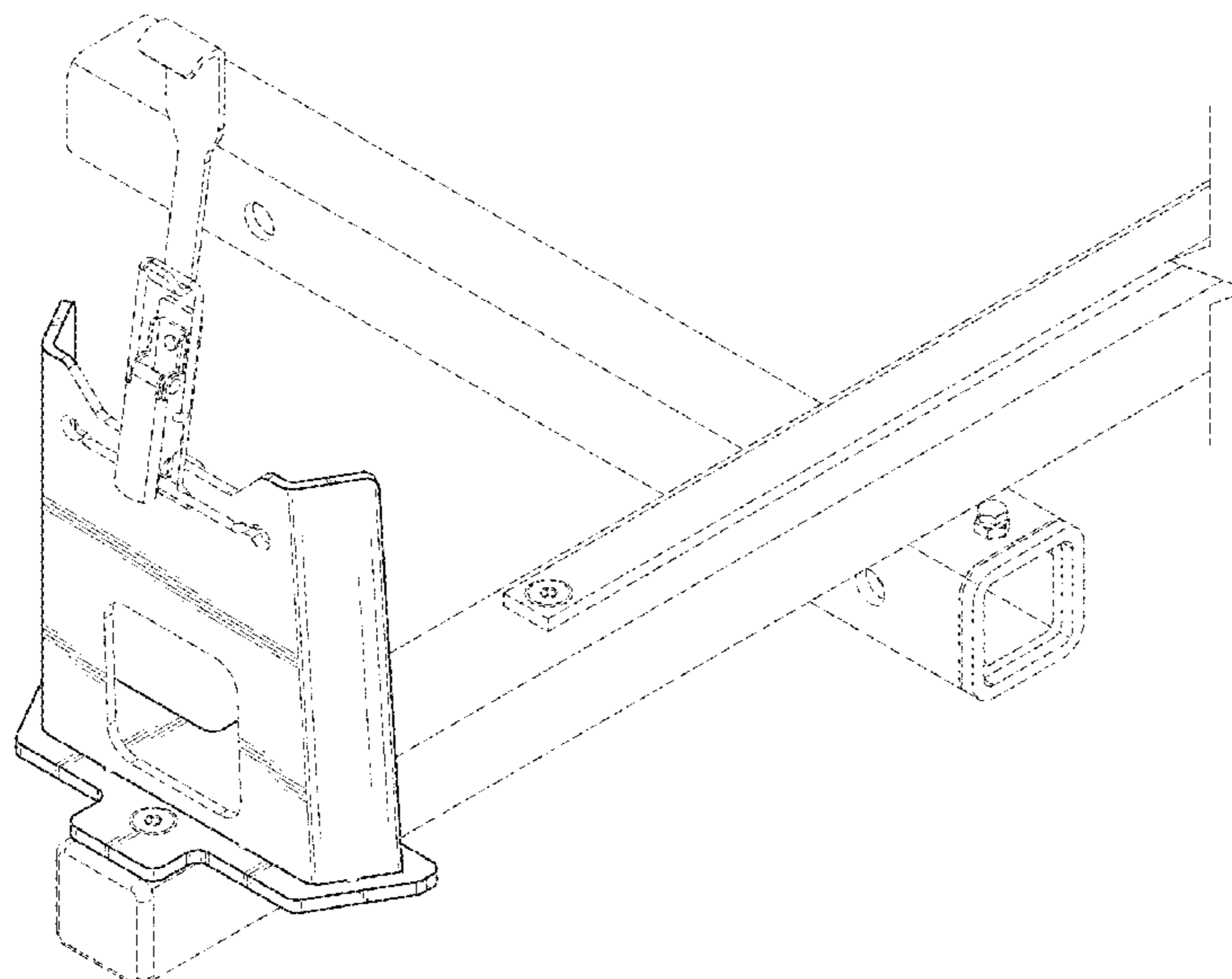
(56) **References Cited**

**U.S. PATENT DOCUMENTS**

- D264,577 S \* 5/1982 Neilson ..... D12/162
- D330,503 S \* 10/1992 Rana ..... D19/34.1
- D442,471 S \* 5/2001 Willett ..... D8/354
- 7,467,804 B2 \* 12/2008 Ezra ..... B60D 1/52 280/506
- D596,539 S \* 7/2009 Ezra ..... D12/162
- D612,775 S \* 3/2010 Davis ..... D12/162
- D630,935 S \* 1/2011 Jarvis ..... D8/381

The broken lines illustrating pipes, attachment points, and a container in FIGS. 1 and 2 show environmental structure that forms no part of the claimed design. The broken lines illustrating openings in the surface of the container bracket show portions of the bracket that form no part of the claimed design.

**1 Claim, 5 Drawing Sheets**



(56)

**References Cited**

U.S. PATENT DOCUMENTS

D840,281 S \* 2/2019 Brennan ..... D12/162  
D849,507 S \* 5/2019 DeDios-Shirley ..... D8/349

\* cited by examiner

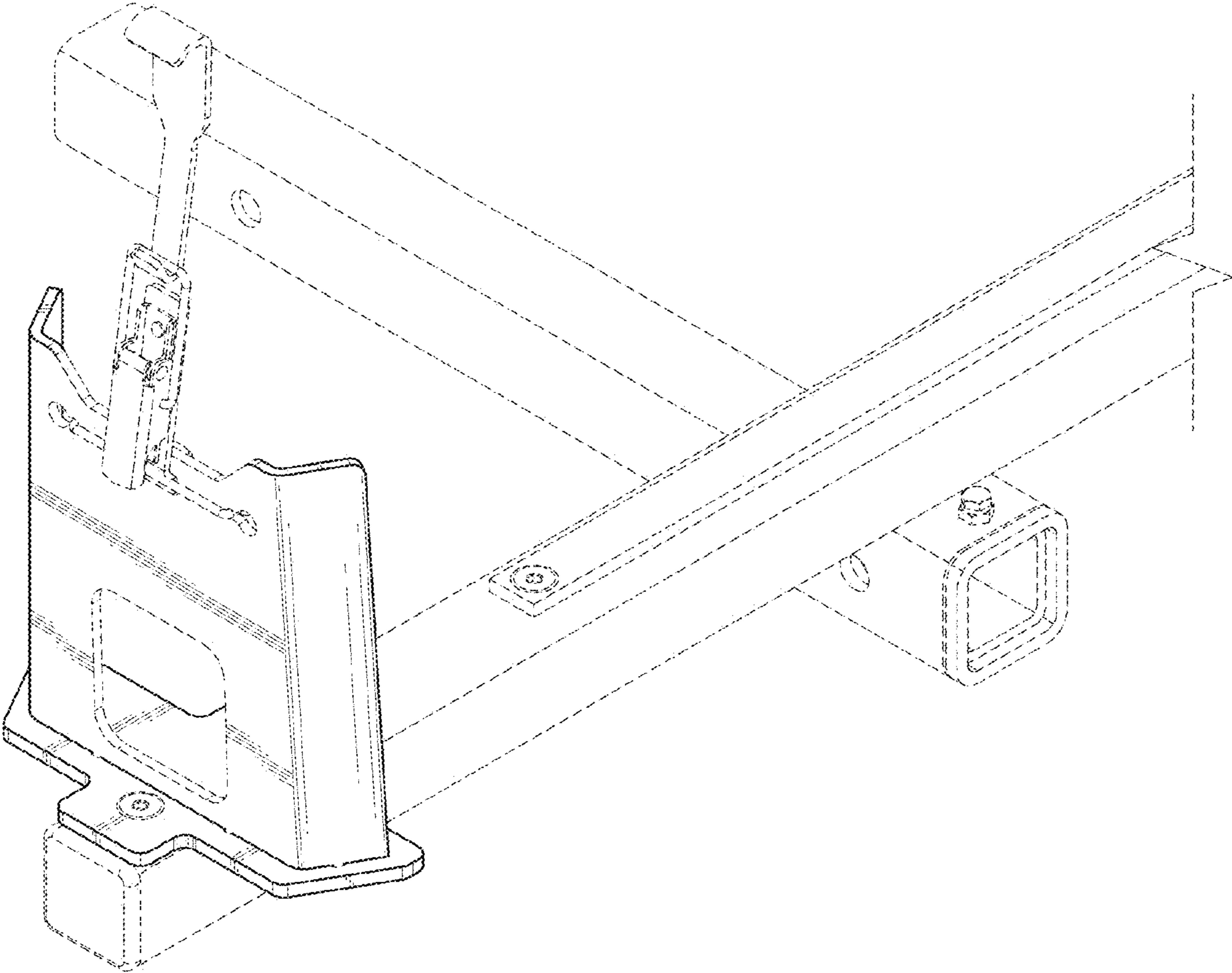


FIG. 1

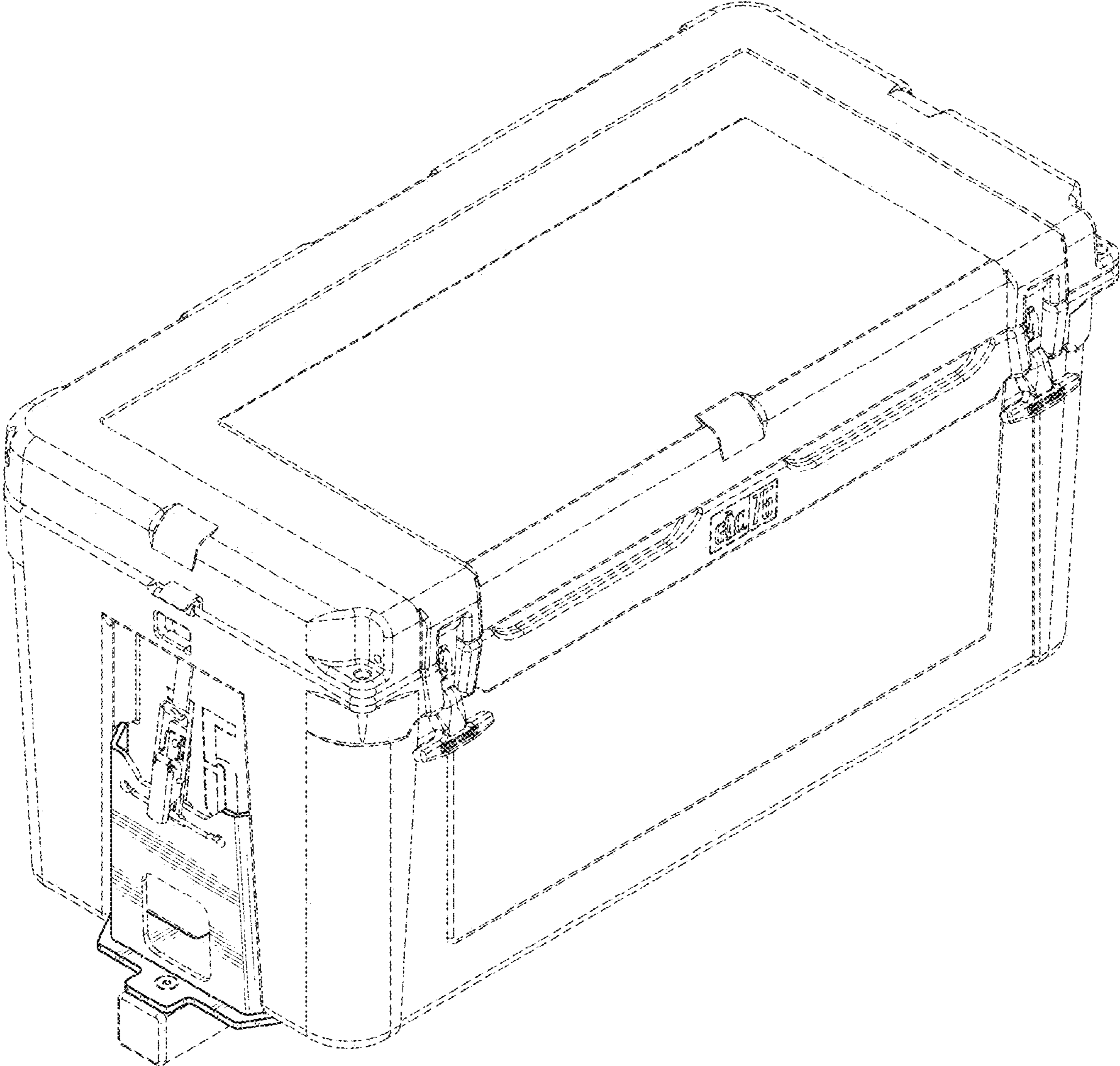


FIG. 2

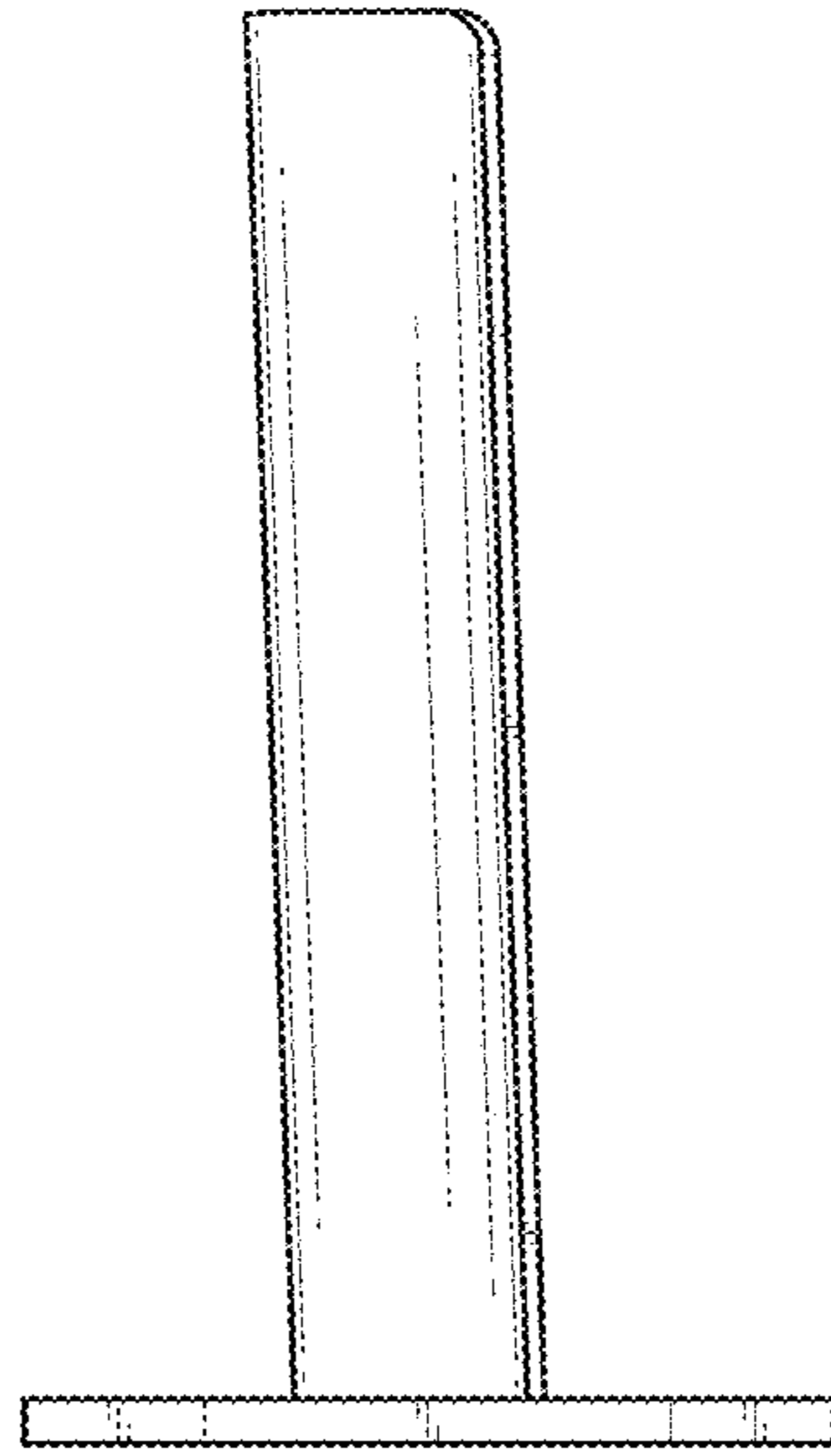


FIG. 3

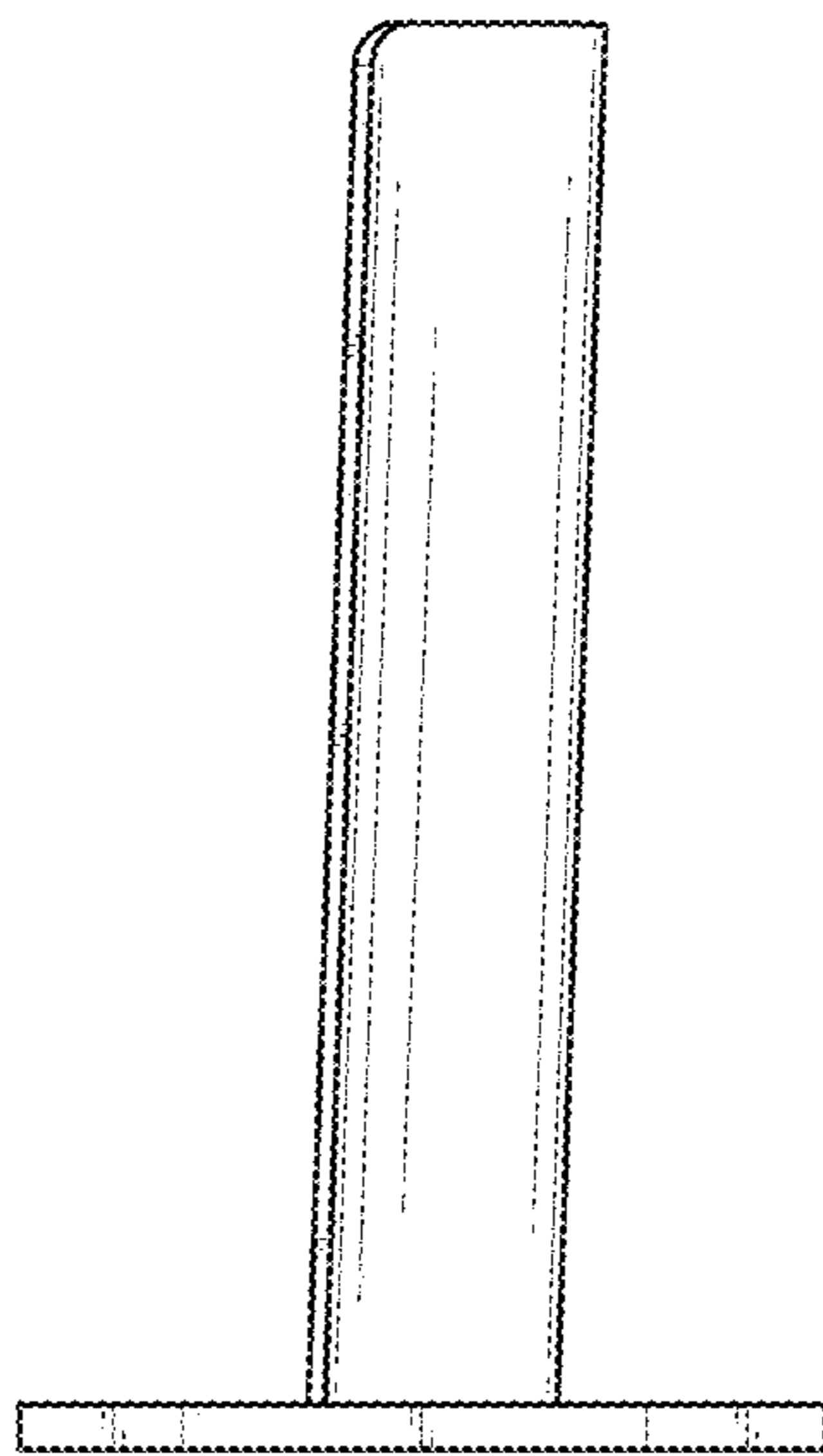


FIG. 4



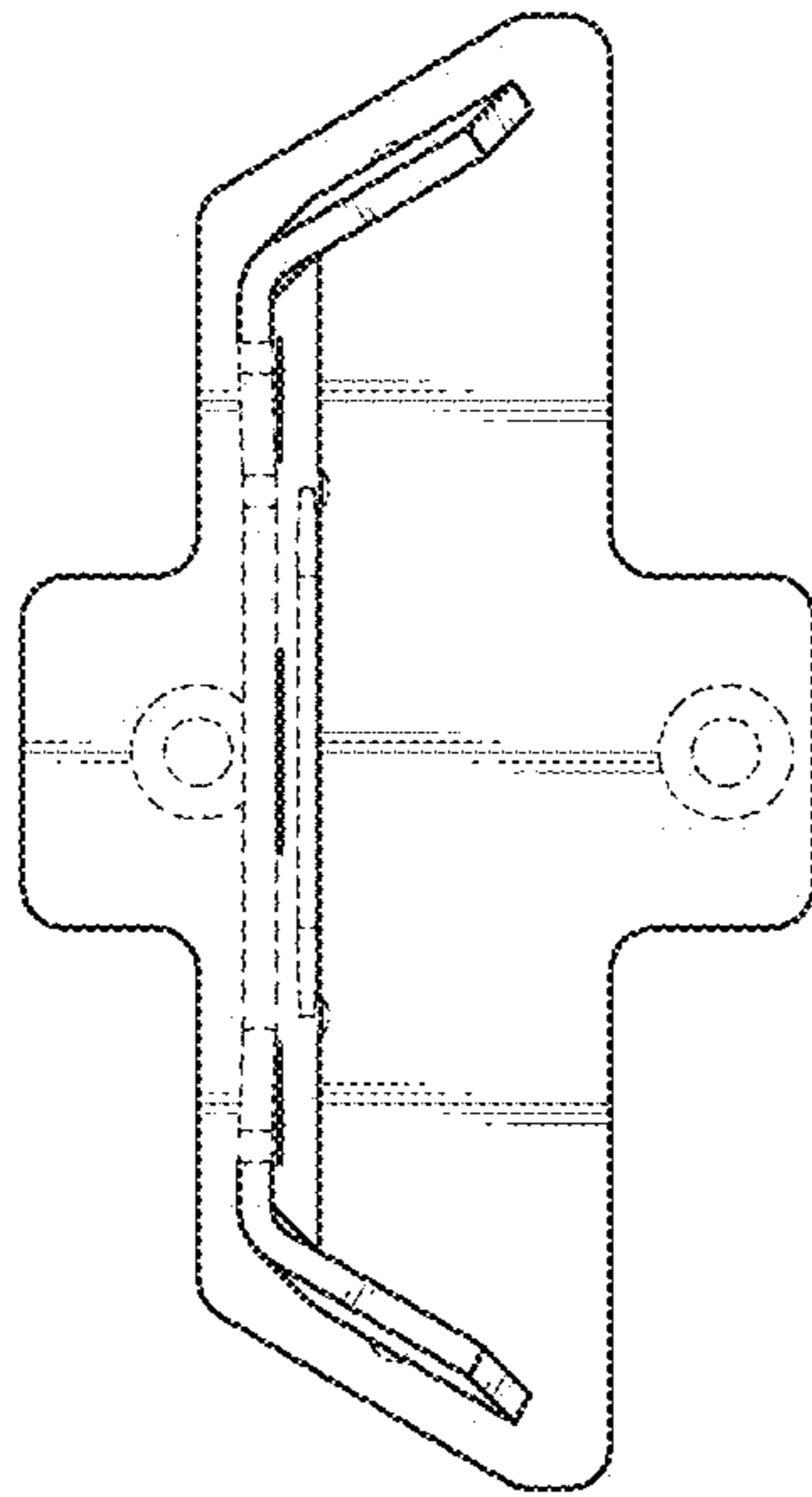


FIG. 5

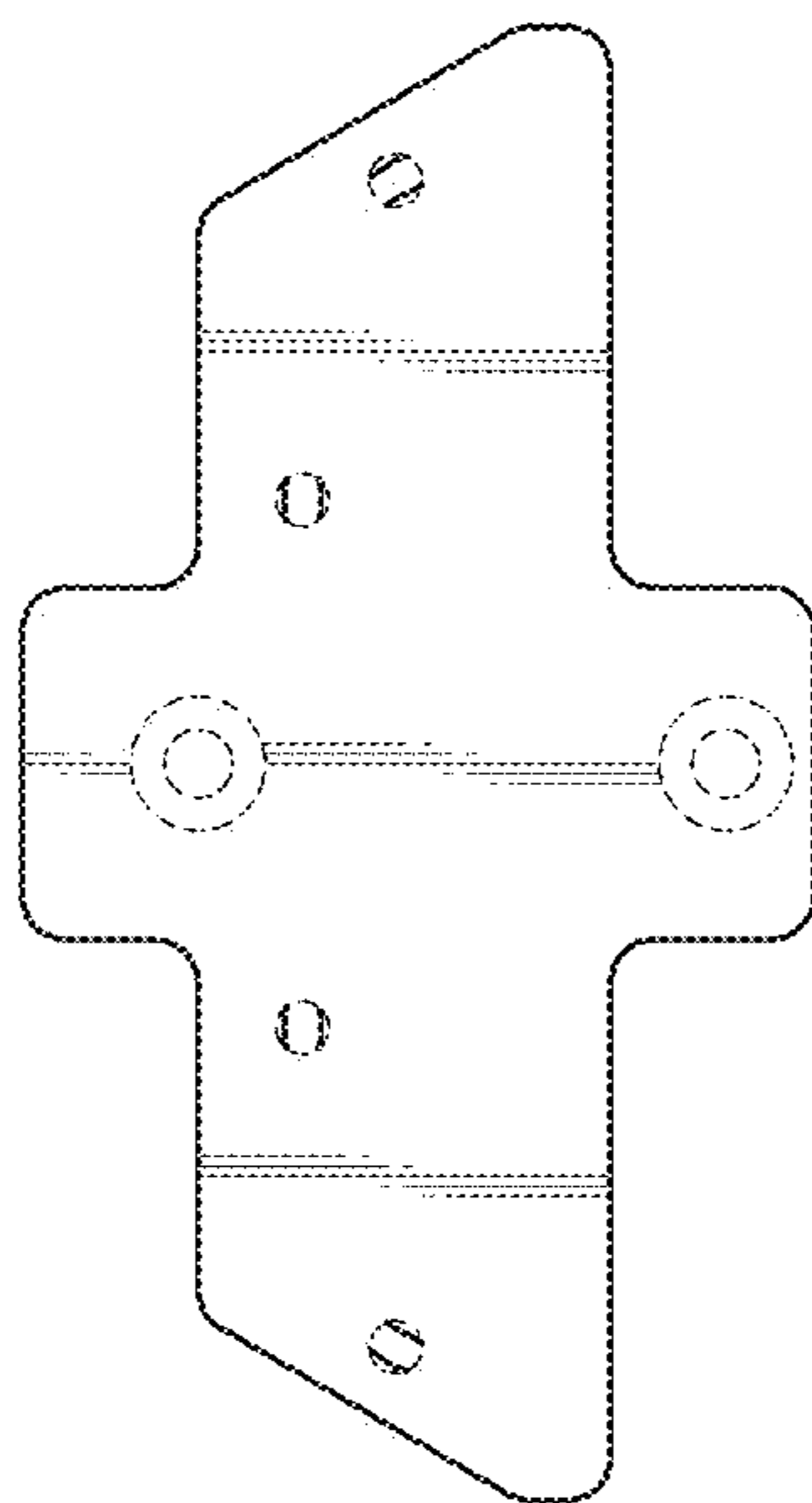


FIG. 6

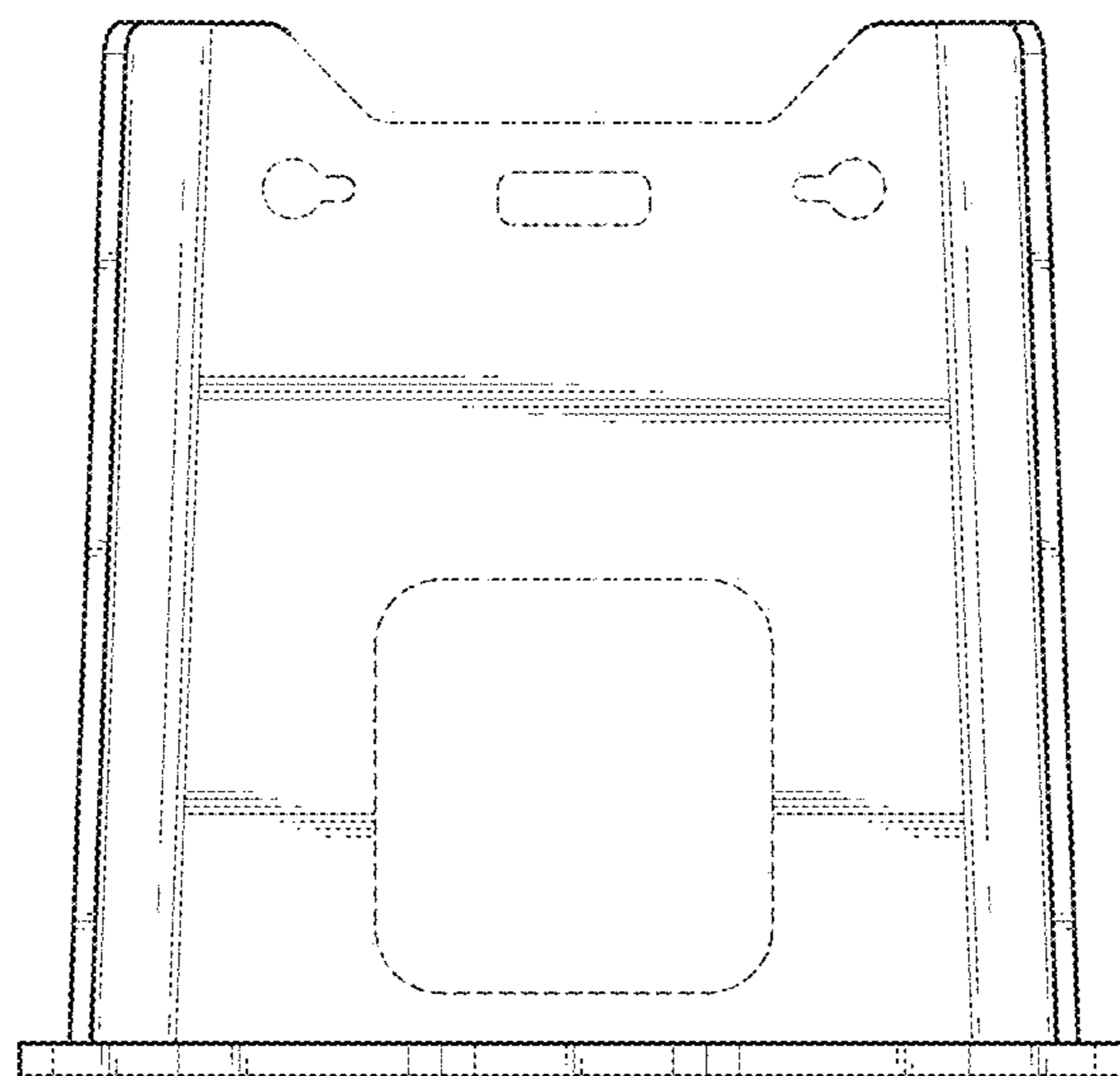


FIG. 7

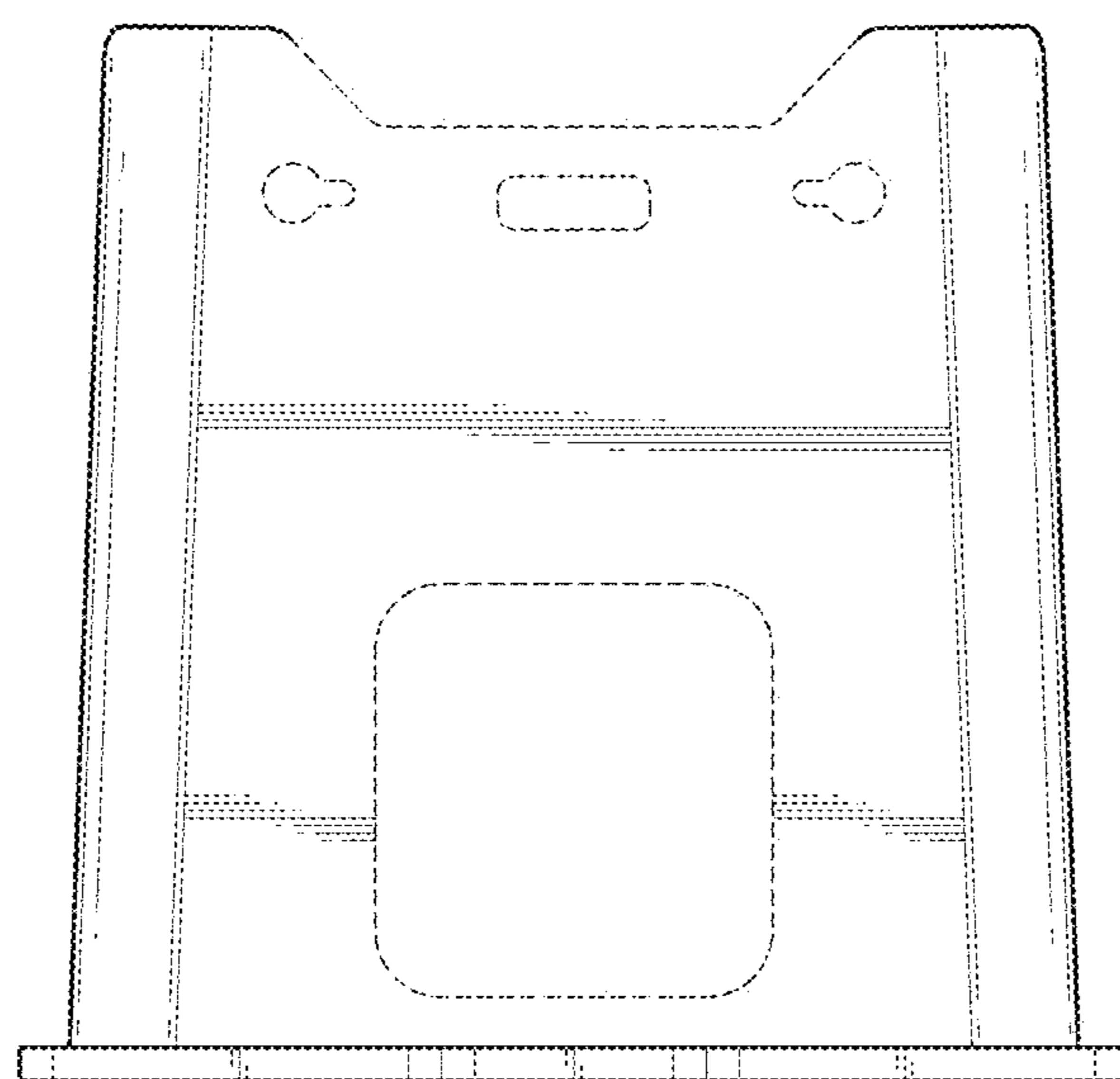


FIG. 8