



US00D874355S

(12) **United States Design Patent** (10) **Patent No.:** **US D874,355 S**
Virgo et al. (45) **Date of Patent:** **** Feb. 4, 2020**

(54) **MOBILITY AID**

(71) Applicants: **Carolyn Virgo**, Los Angeles, CA (US);
Steven Montgomery, Los Angeles, CA
(US); **Robert Shuman**, Granada Hills,
CA (US)

(72) Inventors: **Carolyn Virgo**, Los Angeles, CA (US);
Steven Montgomery, Los Angeles, CA
(US); **Robert Shuman**, Granada Hills,
CA (US)

(**) Term: **15 Years**

(21) Appl. No.: **29/695,086**

(22) Filed: **Jun. 14, 2019**

Related U.S. Application Data

(63) Continuation of application No. 16/158,796, filed on
Oct. 12, 2018.

(51) **LOC (12) Cl.** **12-12**

(52) **U.S. Cl.**
USPC **D12/133**

(58) **Field of Classification Search**
USPC D12/128-133
CPC A61H 3/00; A61H 3/04; A61H
2003/001-007; A61H 2003/043; A61H
2003/046

See application file for complete search history.

(56) **References Cited**

U.S. PATENT DOCUMENTS

267,680	A	11/1882	Crandall
2,989,114	A	6/1961	Ecroyd
3,633,906	A	11/1972	Fowler
3,739,793	A	6/1973	Wilson
5,375,911	A	12/1994	Morrow
5,586,957	A	12/1996	Wilkinson
5,788,608	A	8/1998	Wilkinson
6,056,673	A	5/2000	Arrecis

7,229,101	B2	6/2007	Lenhart	
D592,373	S *	5/2009	Evans	D12/133
D743,305	S *	11/2015	Childs	D12/133
D749,018	S *	2/2016	Fox	D12/133
D780,642	S *	3/2017	Karshmer	D12/133
2009/0301533	A1 *	12/2009	Caldwell	A61H 3/04 135/67
2010/0170548	A1	6/2010	Lenhart	
2011/0232708	A1 *	9/2011	Kemp	A61H 3/04 135/67
2013/0180557	A1 *	7/2013	Triolo	A61G 5/14 135/66
2014/0300071	A1 *	10/2014	Purdue	A61G 5/022 280/87.021

(Continued)

OTHER PUBLICATIONS

amazon.com, Jun. 8, 2018, Internet printout: <https://www.amazon.com/081561661-Lightweight-Aluminum-Rollator-Stabilizer/dp/B0754R8V6B>.

(Continued)

Primary Examiner — Charles D Hanson

(74) *Attorney, Agent, or Firm* — Todd R. Miller

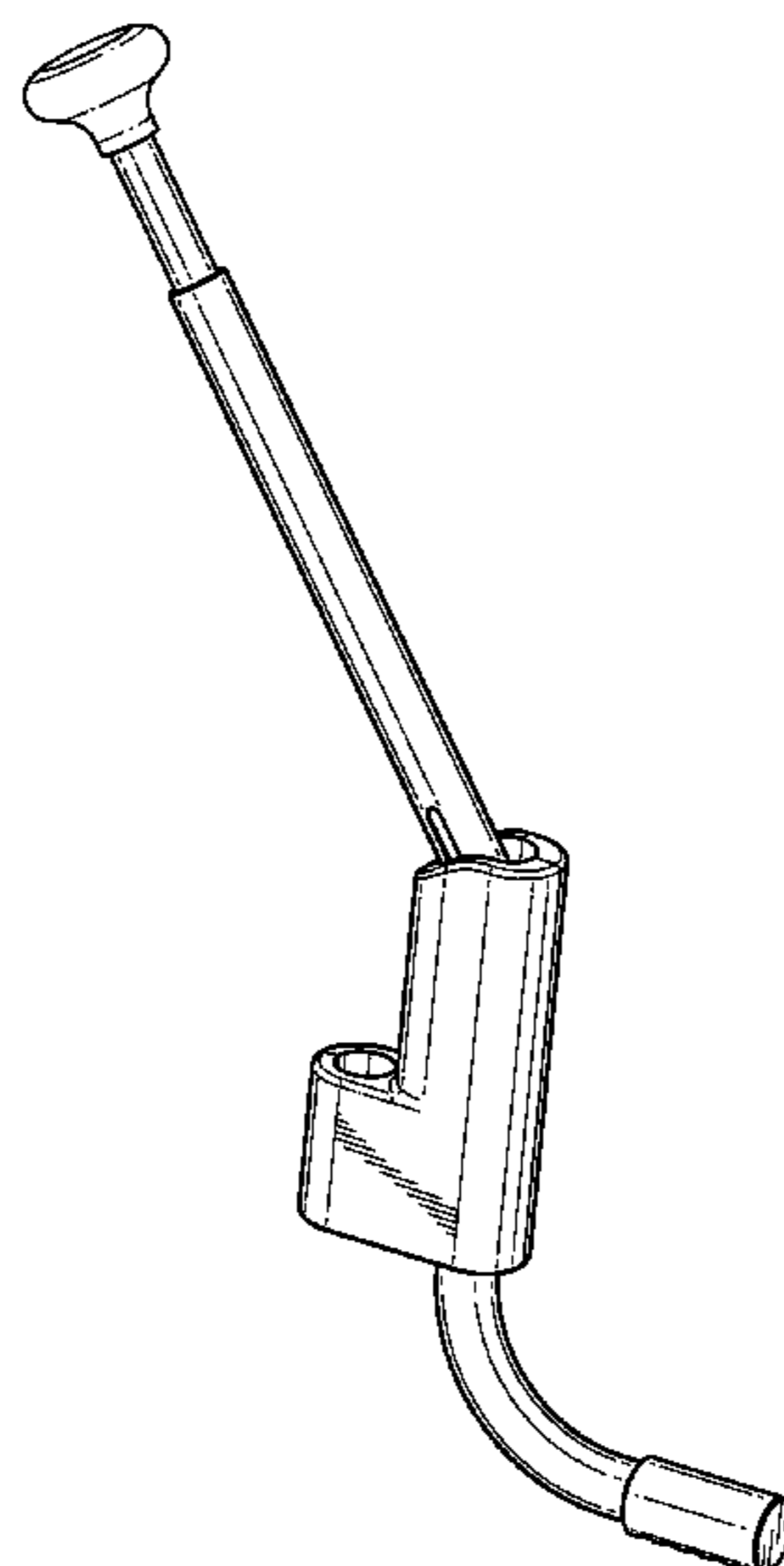
(57) **CLAIM**

The ornamental design for a mobility aid, as shown and described.

DESCRIPTION

FIG. 1 is a perspective view of another embodiment of the inventive design;
FIG. 2 is a left view thereof;
FIG. 3 is a front side thereof;
FIG. 4 is a right view thereof;
FIG. 5 is a rear view thereof;
FIG. 6 is a top view thereof; and,
FIG. 7 is a bottom view thereof.
The broken lines are directed to environment and form no part of the claimed design.

1 Claim, 4 Drawing Sheets



(56)

References Cited

U.S. PATENT DOCUMENTS

2016/0067137 A1* 3/2016 Little B25J 9/0006
623/25
2019/0282427 A1* 9/2019 Nam A61H 3/00

OTHER PUBLICATIONS

arthritissupplies.com, Oct. 24, 2017, Internet printout: <https://www.arthritissupplies.com/sitting-and-standing-devices.html>.
stander.com, Jun. 5, 2019, Internet printout: <https://stander.com/product/4350-ez-fold-n-go-rollator/>.
stander.com, Jun. 5, 2019, Internet printout: <https://stander.com/product/9220-ez-stand-n-go-hd/>.

* cited by examiner

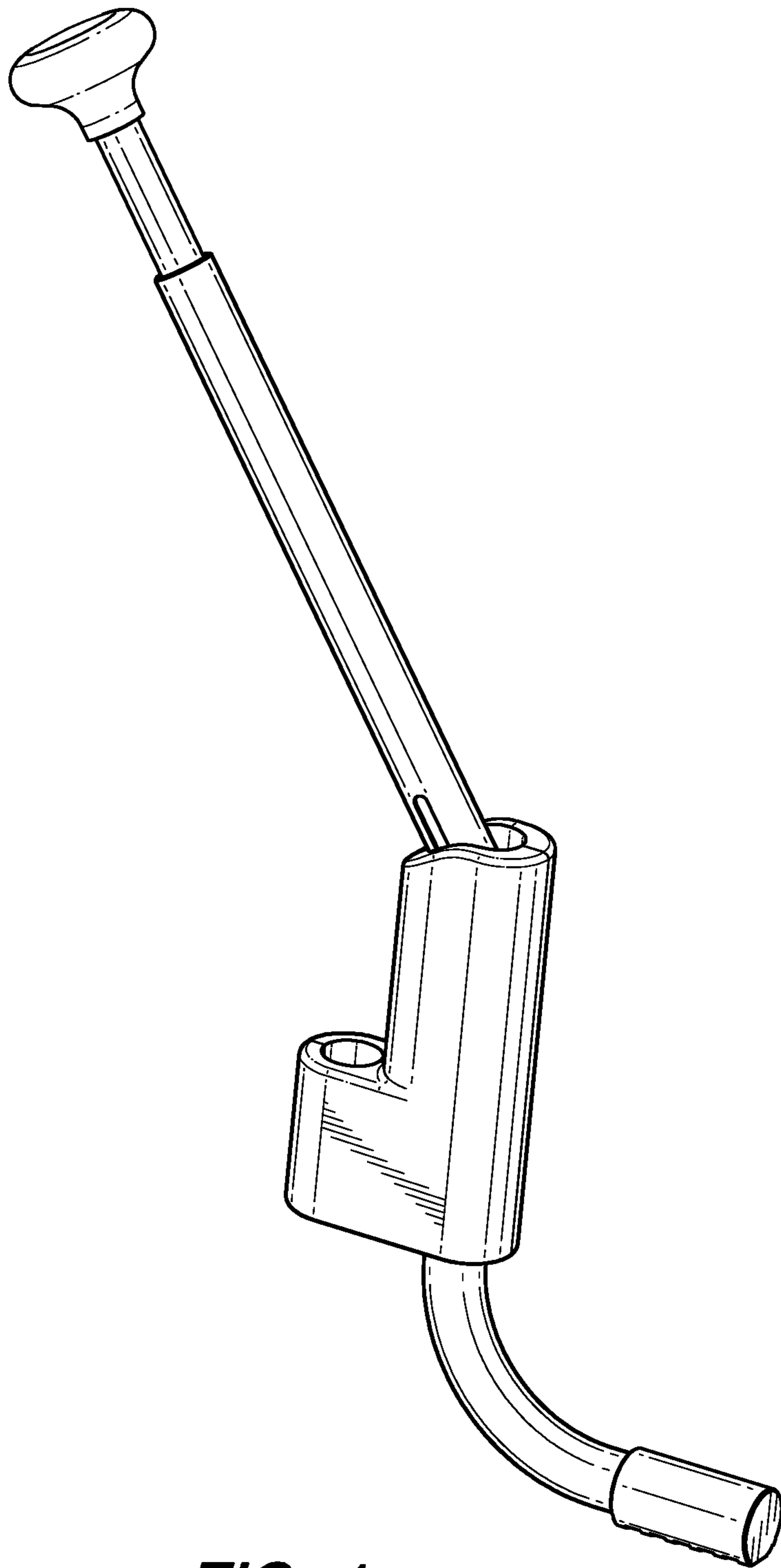


FIG. 1

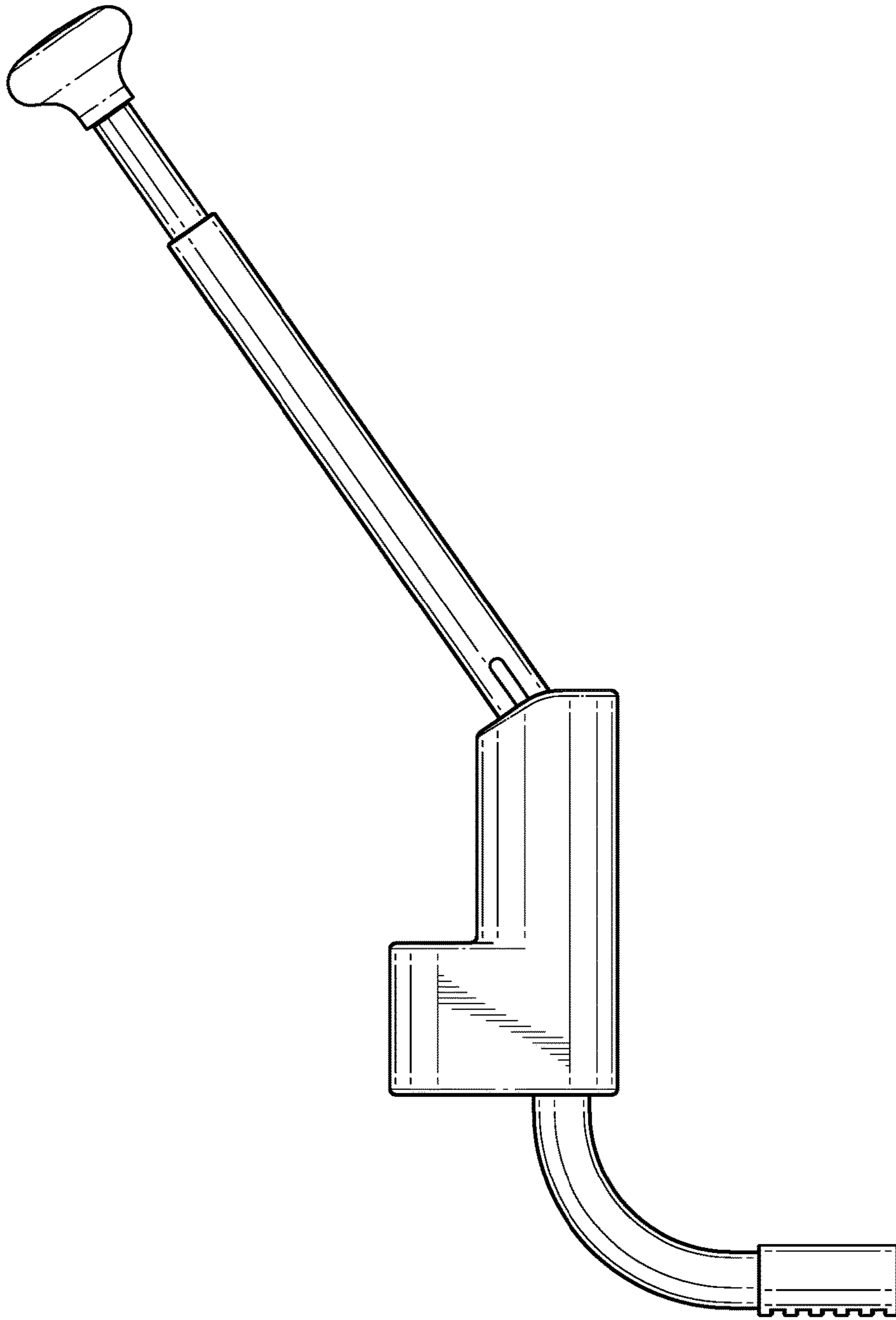


FIG. 2

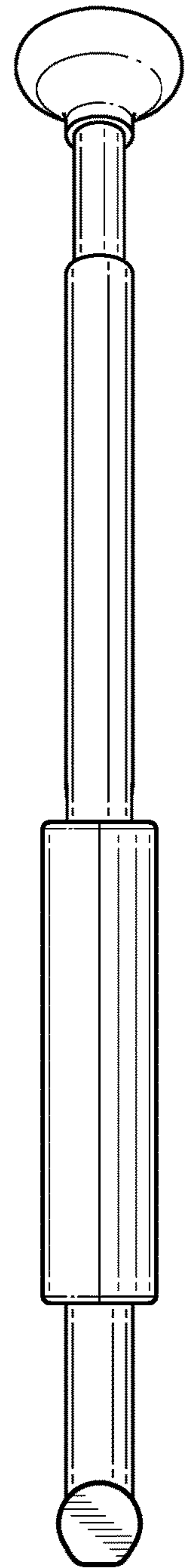


FIG. 3

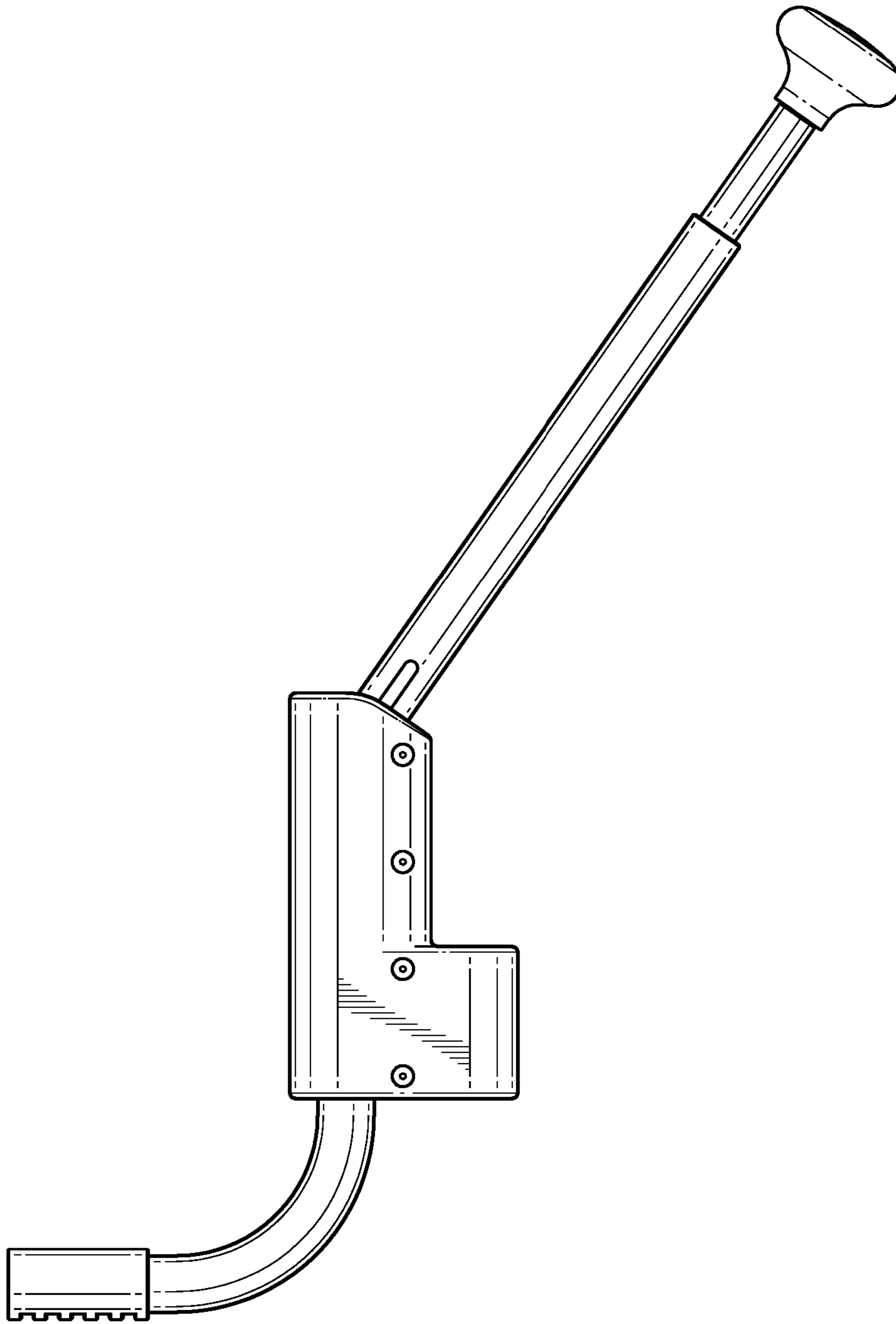


FIG. 4

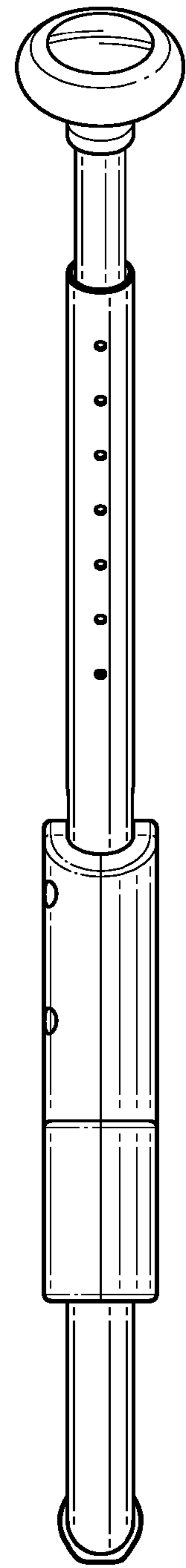


FIG. 5

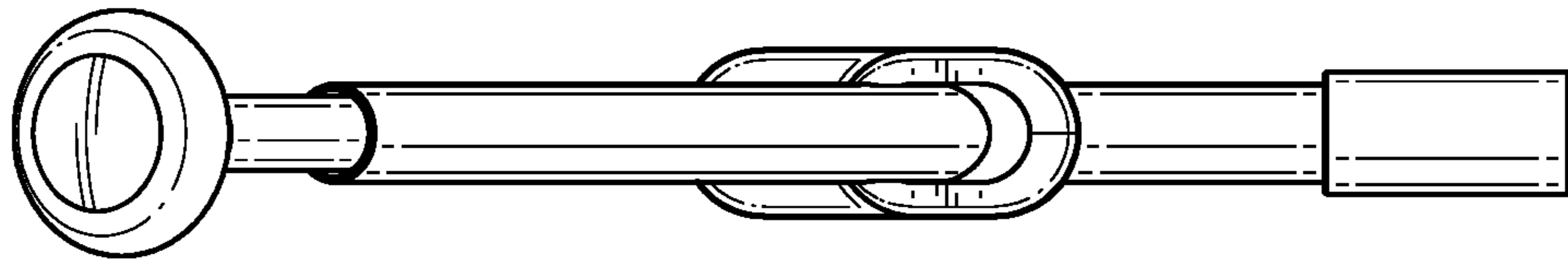


FIG. 6

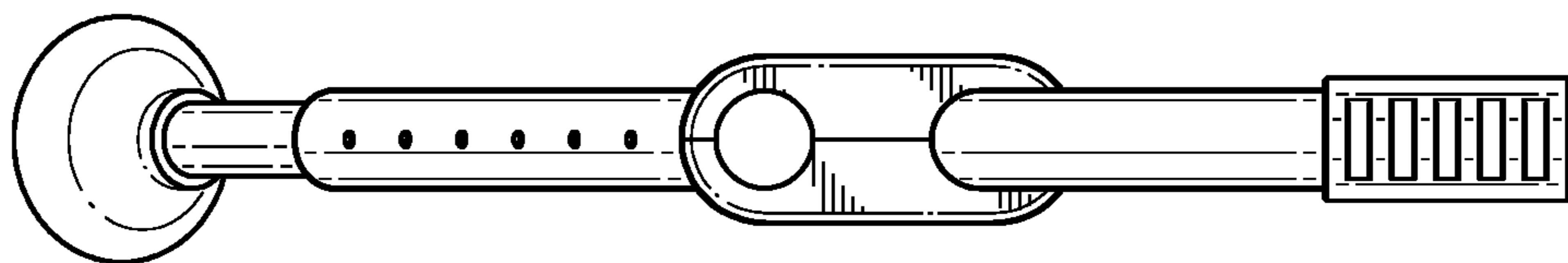


FIG. 7