



US00D874353S

(12) **United States Design Patent**
Buckner

(10) **Patent No.:** **US D874,353 S**

(45) **Date of Patent:** **** Feb. 4, 2020**

(54) **PROTECTIVE ATTACHMENT FOR WHEELCHAIR**

(71) Applicant: **Todd T. Buckner**, Tifton, GA (US)

(72) Inventor: **Todd T. Buckner**, Tifton, GA (US)

(**) Term: **15 Years**

(21) Appl. No.: **29/662,740**

(22) Filed: **Sep. 7, 2018**

(51) **LOC (12) Cl.** **12-12**

(52) **U.S. Cl.**
USPC **D12/133**

(58) **Field of Classification Search**
USPC D12/128-133
CPC A61G 5/04; A61G 5/041-047; A61G 2005/048

See application file for complete search history.

(56) **References Cited**

U.S. PATENT DOCUMENTS

2,891,604 A *	6/1959	Soucie	A47C 7/546	297/411.26
3,103,386 A *	9/1963	Kerr	A47C 7/546	297/411.46
3,222,105 A *	12/1965	Cross	A61G 15/00	297/188.21
D243,304 S *	2/1977	Fuqua	D6/610	
D319,992 S *	9/1991	Acerbis	D12/114	
D382,165 S *	8/1997	Ruiz	D6/610	

5,842,745 A * 12/1998 Kelly A61G 5/10 297/411.23

7,261,374 B2 * 8/2007 Potosky A47C 7/546 297/188.18

7,980,581 B2 7/2011 Buckner
D795,624 S * 8/2017 Trinder, II D6/718.3

* cited by examiner

Primary Examiner — Charles D Hanson

(74) *Attorney, Agent, or Firm* — Bush Intellectual Property Law; Kenneth M. Bush

(57) **CLAIM**

I claim the ornamental design for a protective attachment for wheelchair, as shown and described.

DESCRIPTION

FIG. 1 is a top, front, left side perspective view of a protective attachment for wheelchair showing my new design;

FIG. 2 is a bottom, front, left side perspective view thereof;

FIG. 3 is a front elevation view thereof;

FIG. 4 is a rear elevation view thereof;

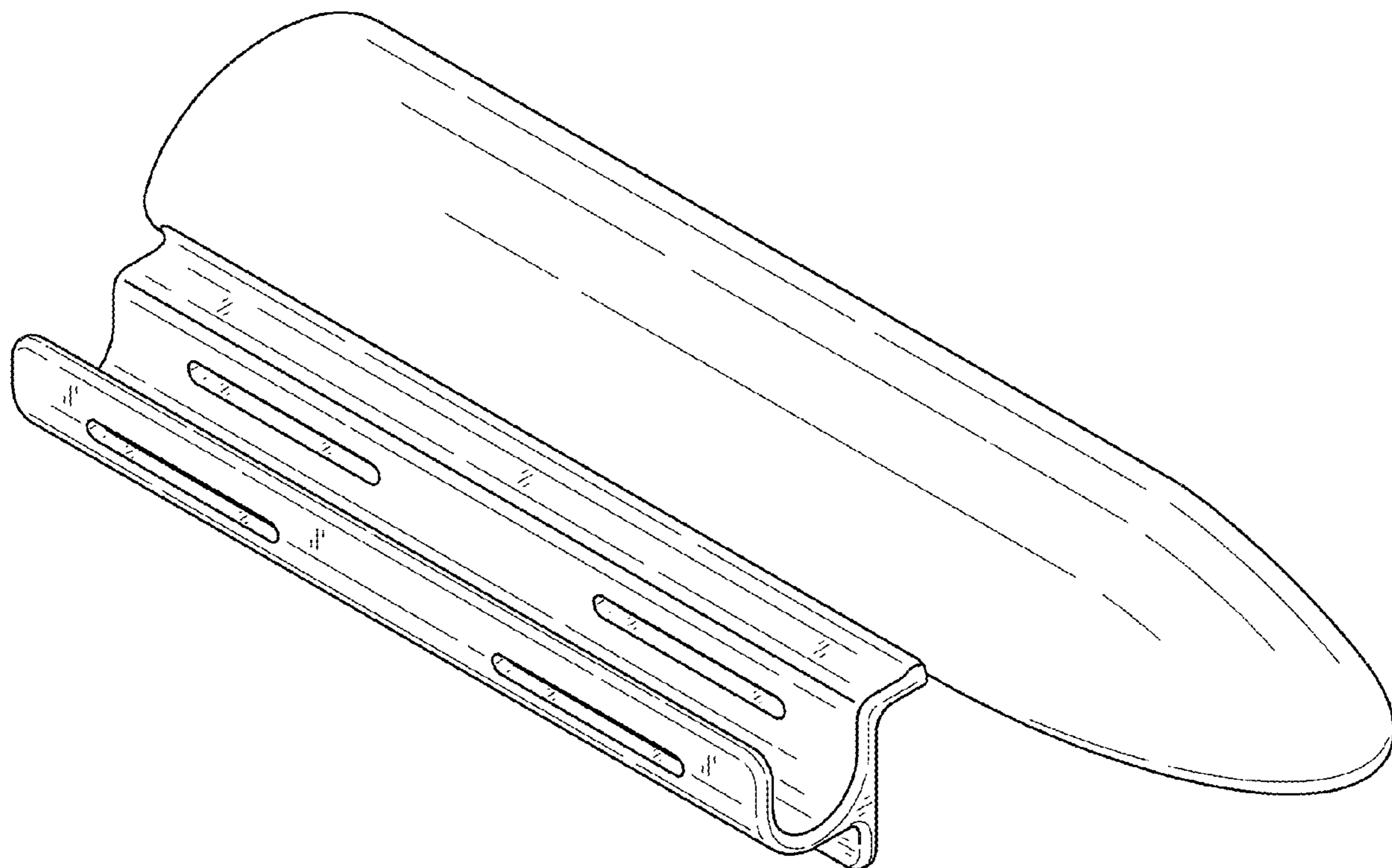
FIG. 5 is a left side elevation view thereof;

FIG. 6 is a right side elevation view thereof;

FIG. 7 is a top plan view thereof; and,

FIG. 8 is a bottom plan view thereof.

1 Claim, 6 Drawing Sheets



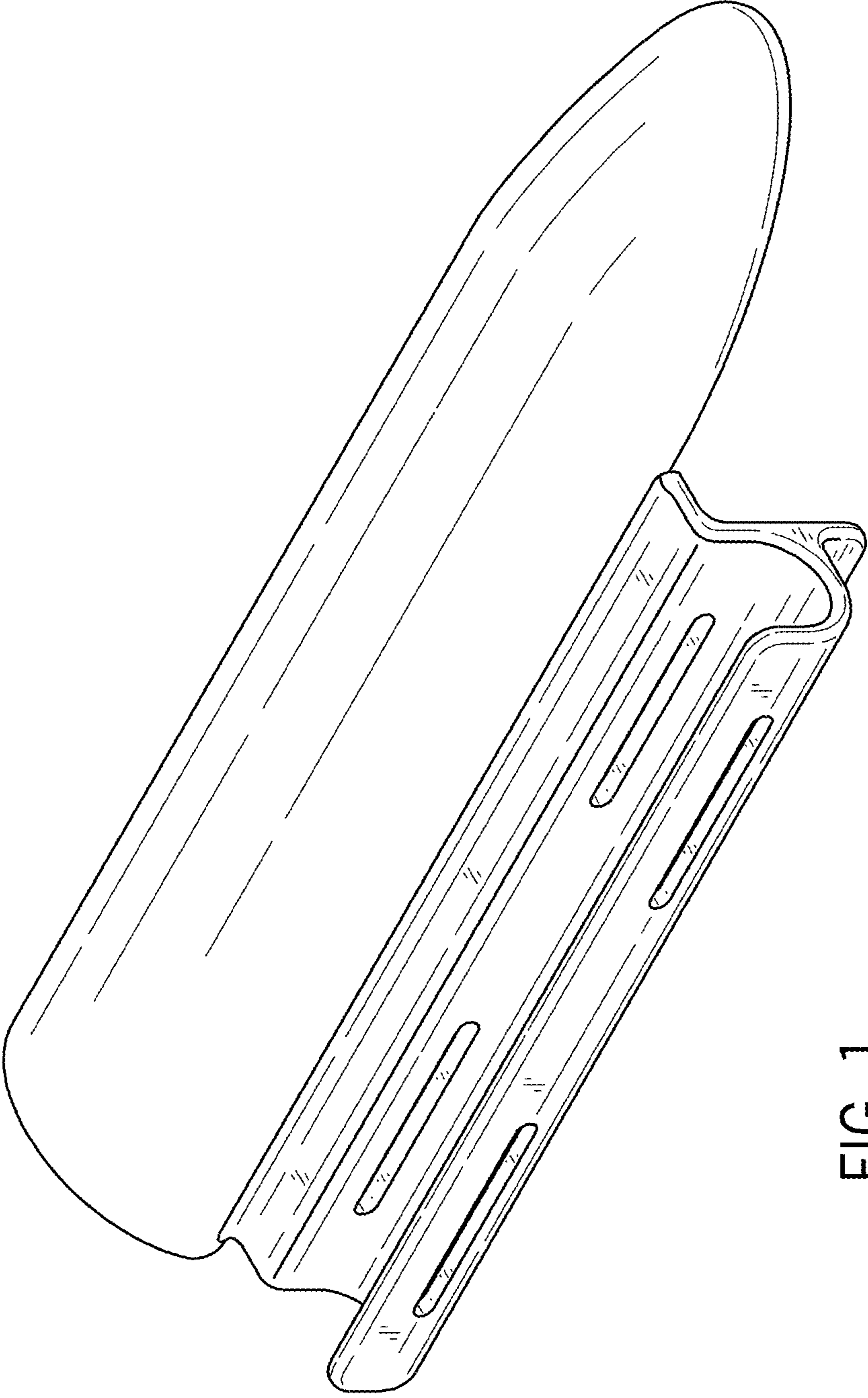


FIG. 1

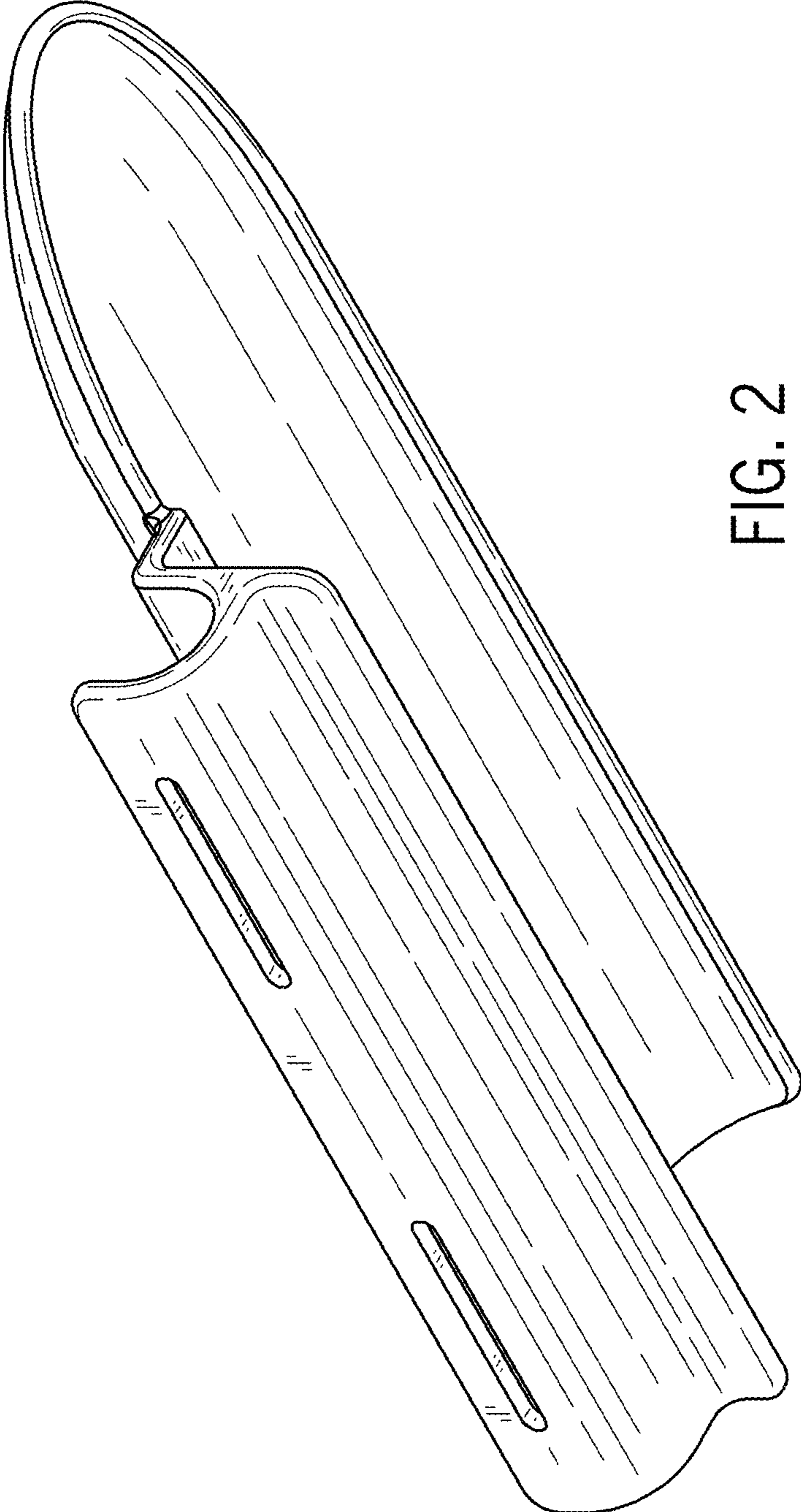


FIG. 2

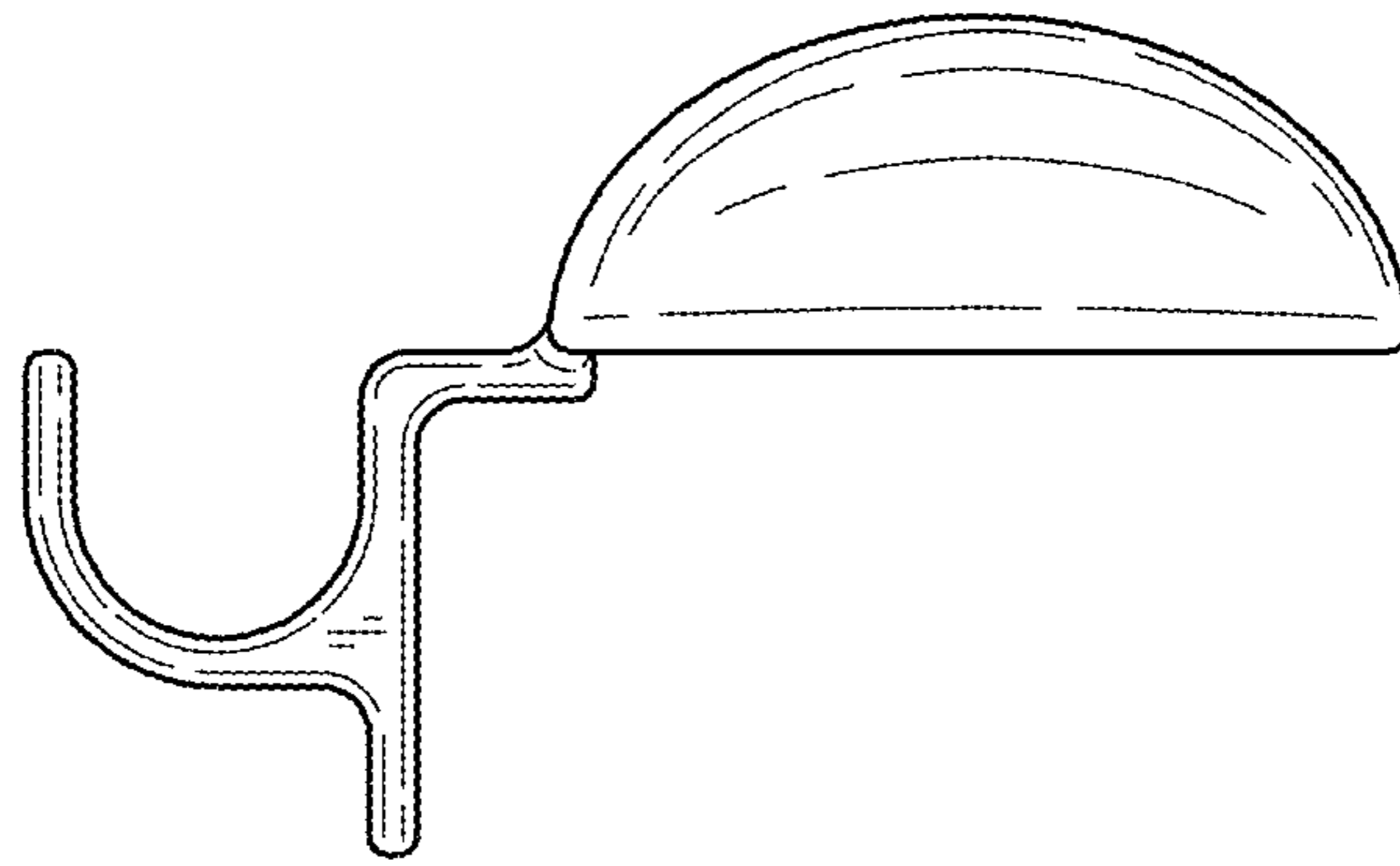


FIG. 3

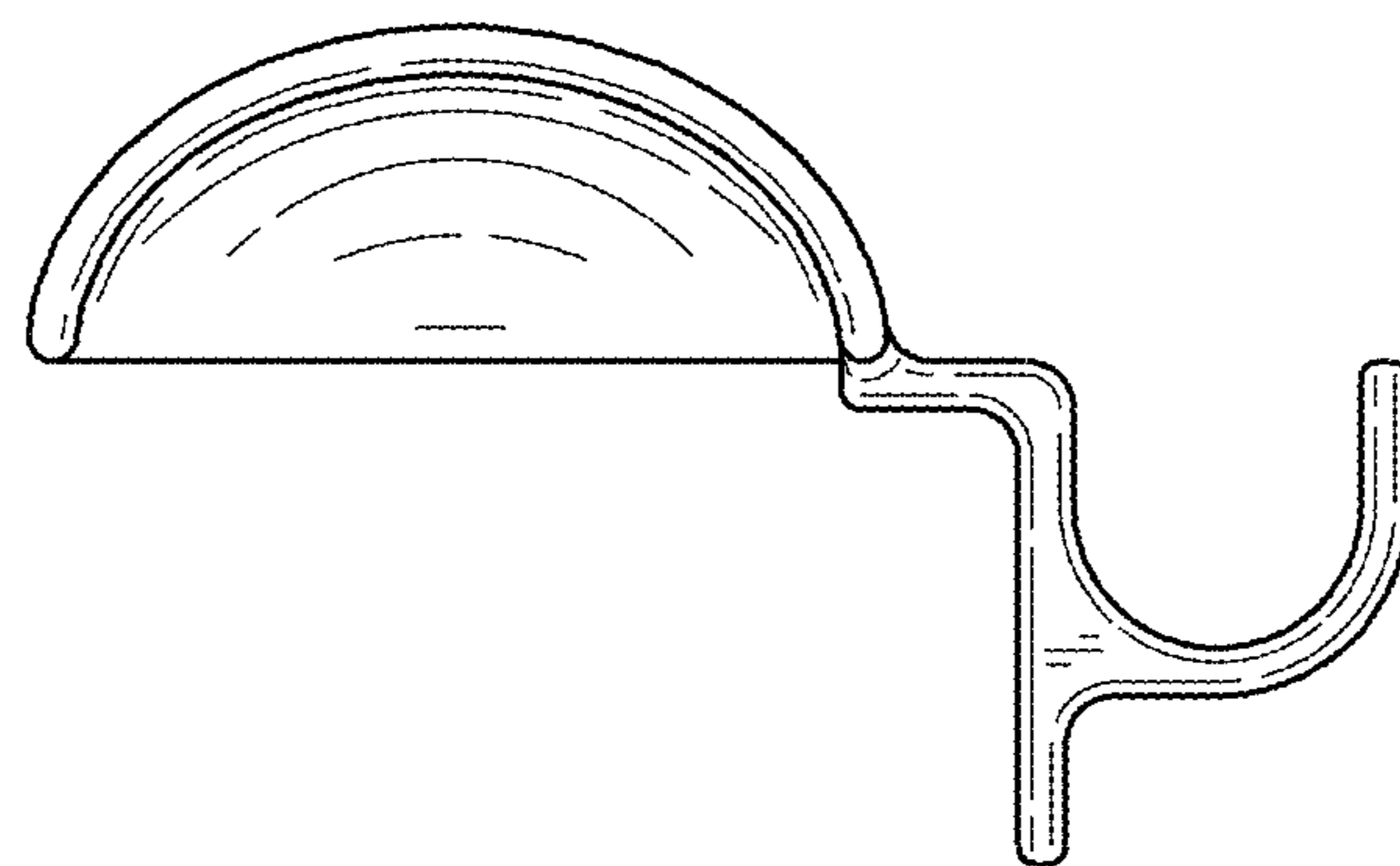


FIG. 4

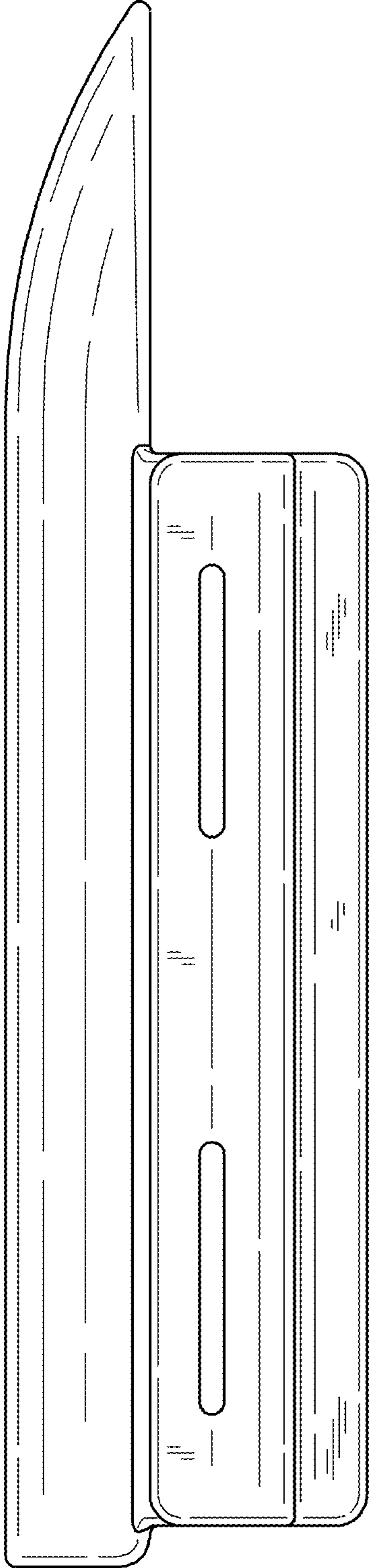


FIG. 5

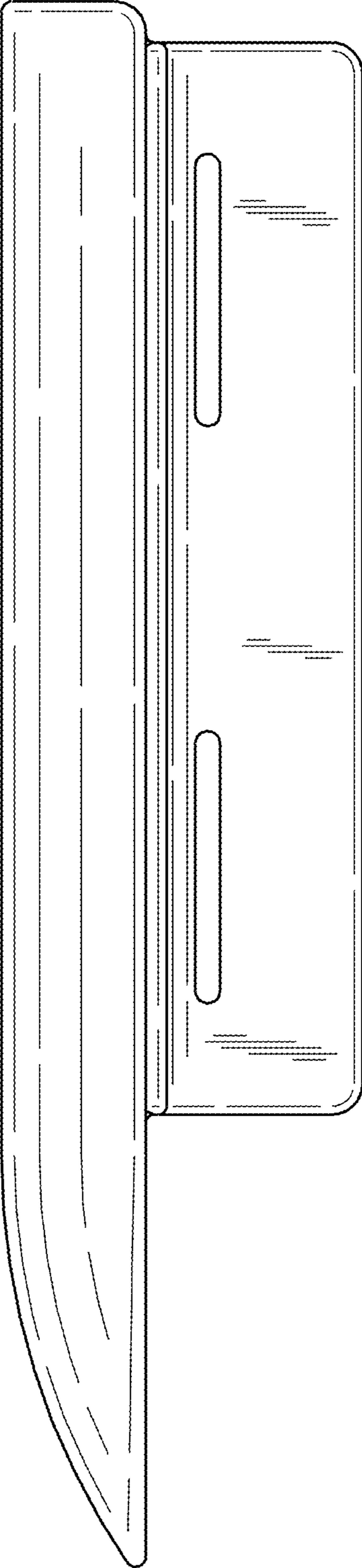


FIG. 6

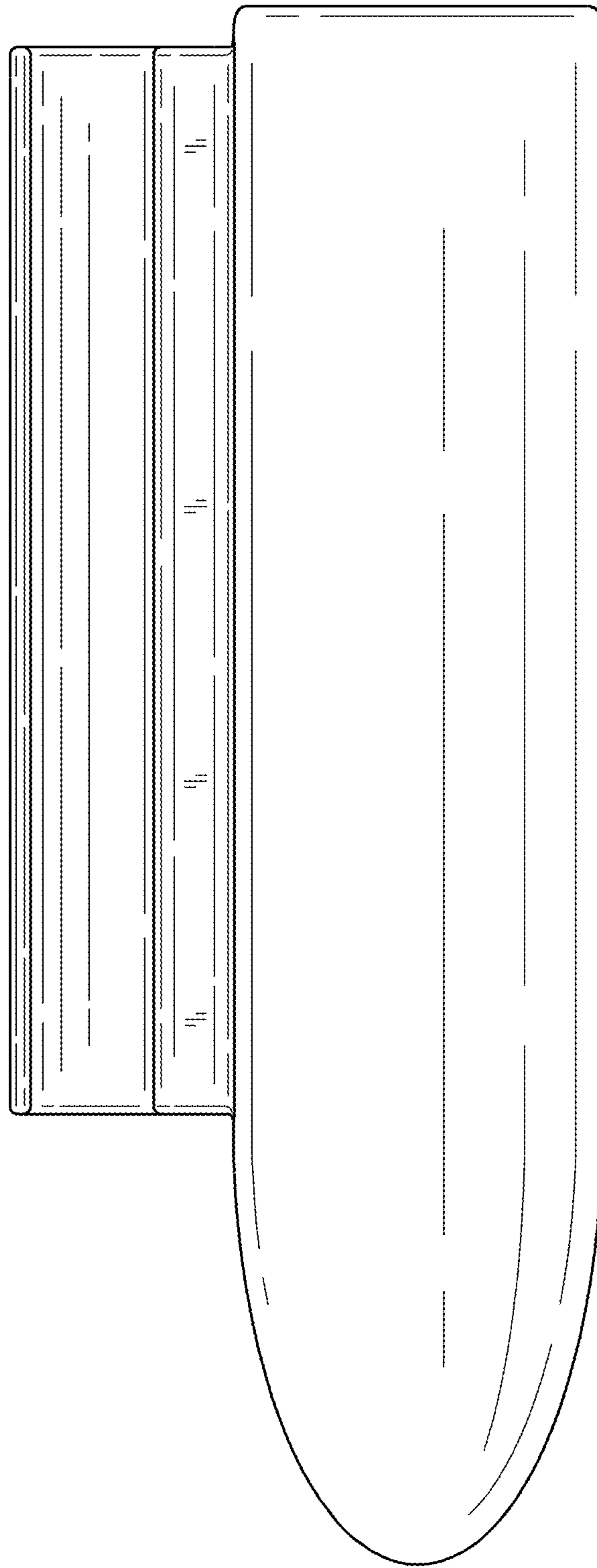


FIG. 7

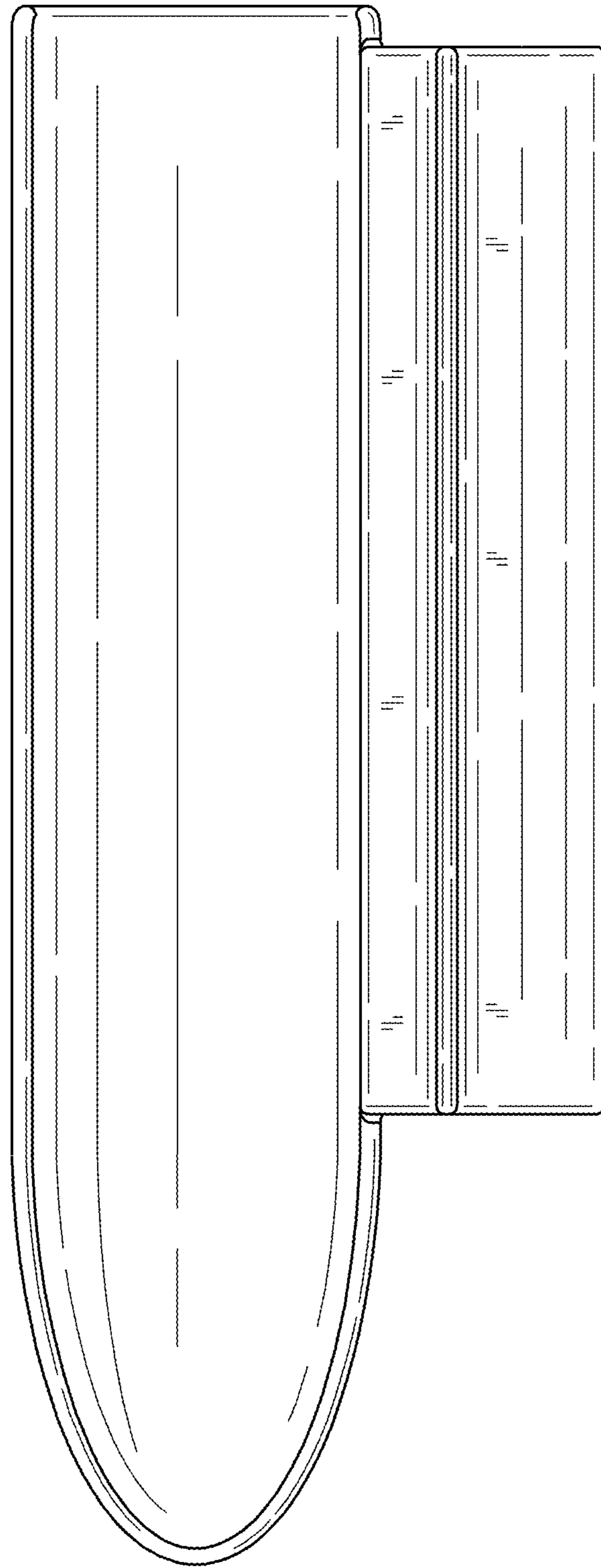


FIG. 8