



US00D874352S

(12) **United States Design Patent** (10) **Patent No.:** **US D874,352 S**
MacKenzie et al. (45) **Date of Patent:** **** *Feb. 4, 2020**

(54) **SLOUCH CORRECTION ACTUATOR**

(71) Applicant: **MacKenzie Atlantic Tool And Die/Manufacturing Ltd.,**
Musquodoboit Harbour (CA)

(72) Inventors: **Matthew MacKenzie,** Mineville (CA);
Gabriel J. W. Aliphat, Bridgewater (CA)

(73) Assignee: **MACKENZIE ATLANTIC TOOL & DIE/MACHINING LTD.**

(*) Notice: This patent is subject to a terminal disclaimer.

(**) Term: **15 Years**

(21) Appl. No.: **29/601,201**

(22) Filed: **Apr. 20, 2017**

(51) **LOC (12) Cl.** **12-12**

(52) **U.S. Cl.**
USPC **D12/133**

(58) **Field of Classification Search**
USPC **D12/128-133**

(Continued)

(56) **References Cited**

U.S. PATENT DOCUMENTS

D506,514 S * 6/2005 Bernstein D21/662
D560,382 S * 1/2008 Brooks D6/368

(Continued)

Primary Examiner — Charles D Hanson

(74) *Attorney, Agent, or Firm* — Gilbert's LLP; Matthew D. Powell

(57) **CLAIM**

The ornamental design for a slouch correction actuator, as shown and described.

DESCRIPTION

FIG. 1 is a perspective view of one embodiment of the slouch correction actuator, in accordance with the design;

FIG. 2 is a perspective view of the slouch correction actuator of FIG. 1, taken opposite FIG. 1;

FIG. 3 is a side elevation view of the slouch correction actuator of FIG. 1;

FIG. 4 is a plan view of the slouch correction actuator of FIG. 1;

FIG. 5 is an end elevation view of the slouch correction actuator of FIG. 1;

FIG. 6 is an end elevation view of the slouch correction actuator of FIG. 1 taken opposite FIG. 5;

FIG. 7 is a perspective view of another embodiment of the slouch correction actuator;

FIG. 8 is a perspective view of the slouch correction actuator of FIG. 7, taken opposite FIG. 7;

FIG. 9 is a side elevation view of the slouch correction actuator of FIG. 7;

FIG. 10 is a plan view of the slouch correction actuator of FIG. 7;

FIG. 11 is an end elevation view of the slouch correction actuator of FIG. 7;

FIG. 12 is an end elevation view of the slouch correction actuator of FIG. 7 taken opposite FIG. 11;

FIG. 13 is a perspective view of another embodiment of the slouch correction actuator;

FIG. 14 is a perspective view of the slouch correction actuator of FIG. 13, taken opposite FIG. 13;

FIG. 15 is a side elevation view of the slouch correction actuator of FIG. 13;

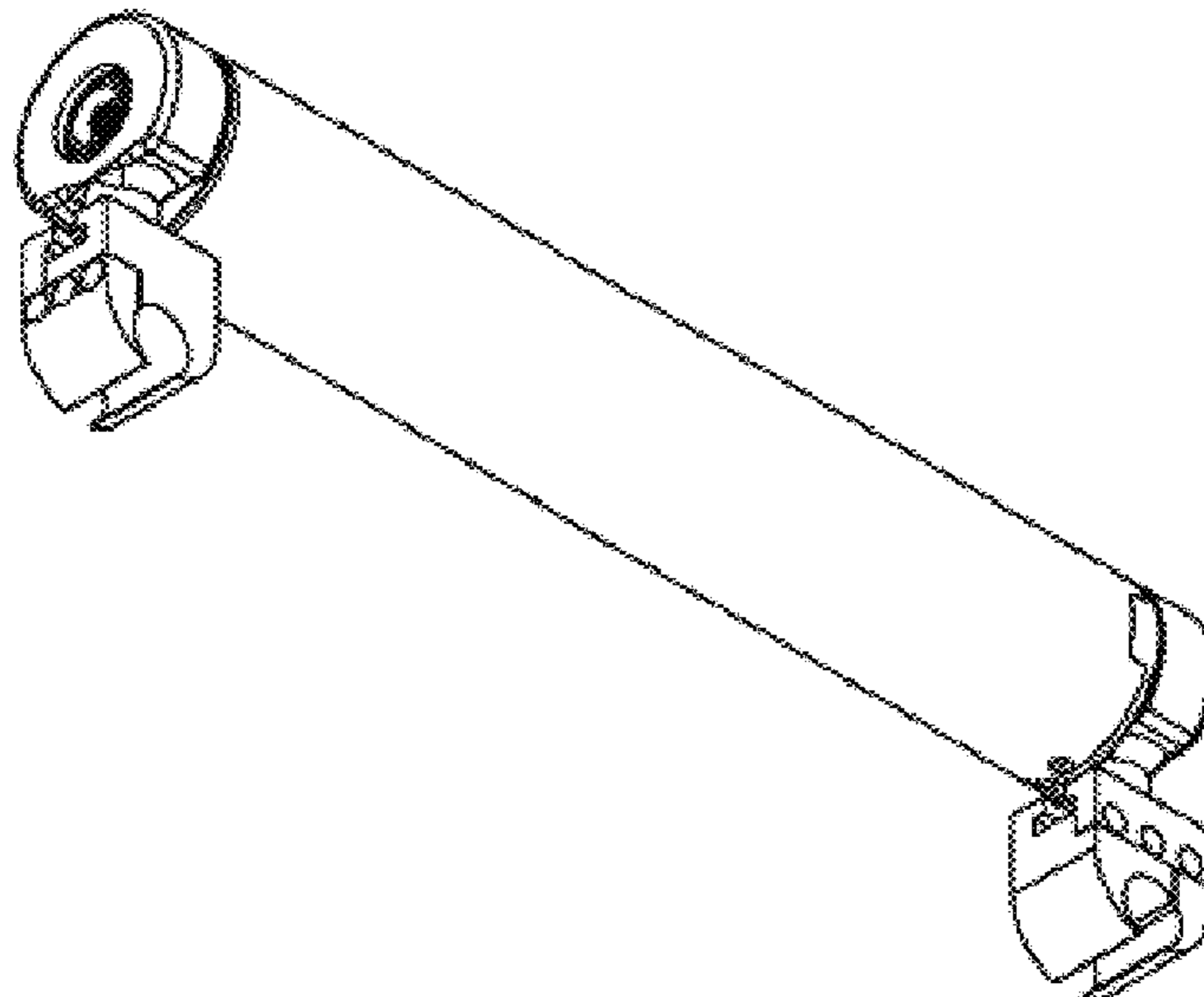
FIG. 16 is a plan view of the slouch correction actuator of FIG. 13;

FIG. 17 is an end elevation view of the slouch correction actuator of FIG. 13; and,

FIG. 18 is an end elevation view of the slouch correction actuator of FIG. 13 taken opposite FIG. 17.

The portions shown in broken lines in FIGS. 13 to 18 are disclaimed and do not form part of the embodiment of the design shown in those figures.

1 Claim, 3 Drawing Sheets



(58) **Field of Classification Search**

CPC A61G 5/00-14
See application file for complete search history.

(56) **References Cited**

U.S. PATENT DOCUMENTS

D577,634 S * 9/2008 Lundh D12/133
7,775,131 B2 * 8/2010 Becker B60N 2/0232
74/606 R
D653,882 S * 2/2012 Ryan D6/356
D735,870 S * 8/2015 Ban D24/188
D779,390 S * 2/2017 Shentu D12/133
D779,391 S * 2/2017 Shentu D12/133
D789,257 S * 6/2017 Bucher D12/133
D795,754 S * 8/2017 Zellers, Sr. D12/133
D830,915 S * 10/2018 Brown, Jr. D12/133
2013/0257129 A1 * 10/2013 Guarneros B60N 2/2356
297/362.11
2017/0035633 A1 * 2/2017 Amin A61G 7/018
2019/0021927 A1 * 1/2019 MacKenzie A61G 5/10
2019/0232819 A1 * 8/2019 Hoffmann B60N 2/0232

* cited by examiner

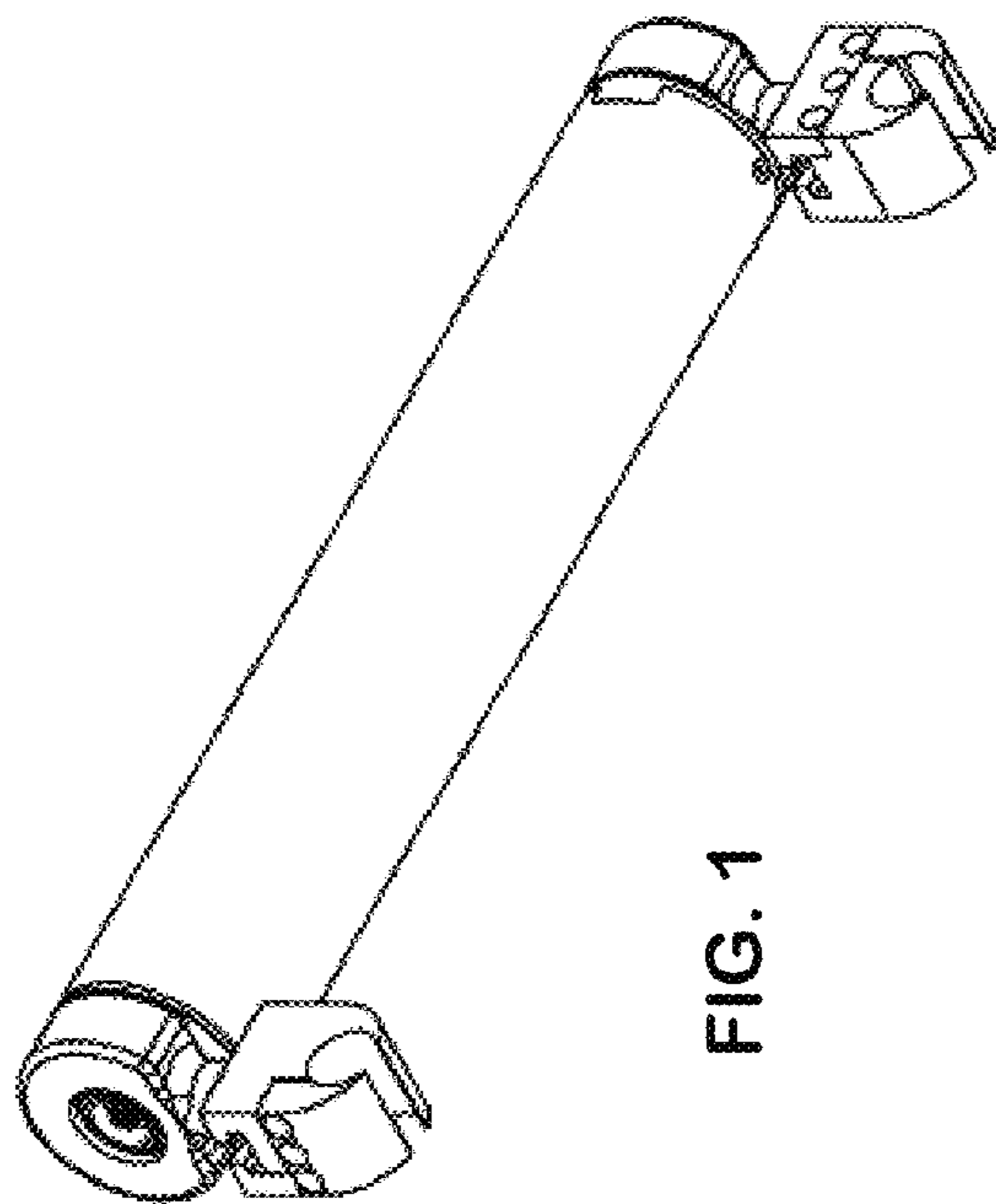


FIG. 1

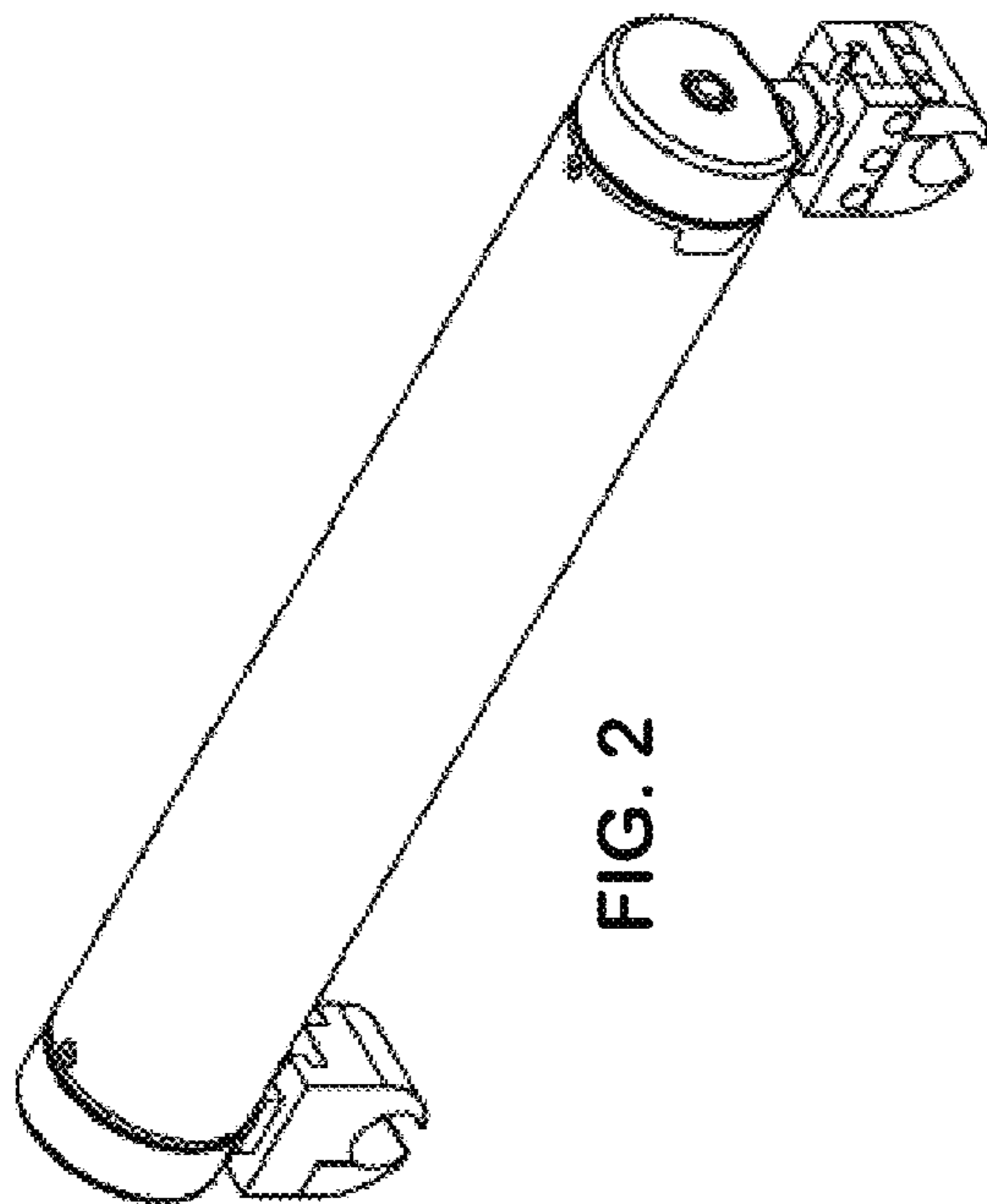


FIG. 2

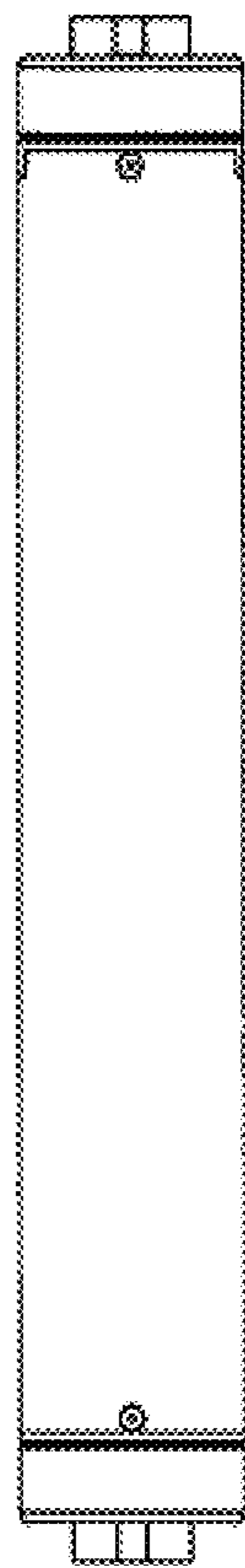


FIG. 3

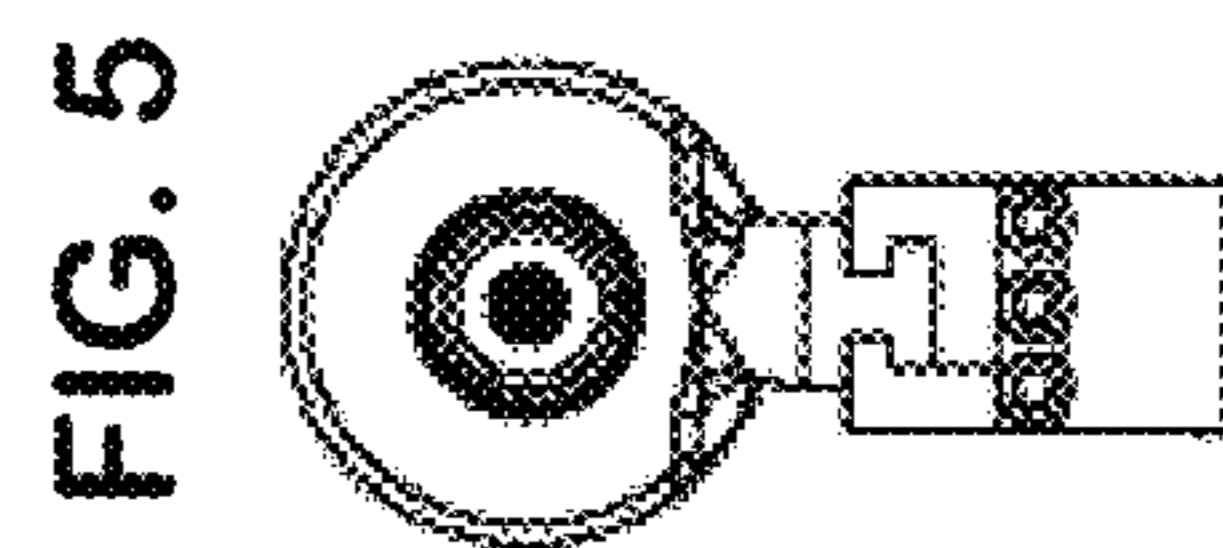


FIG. 5

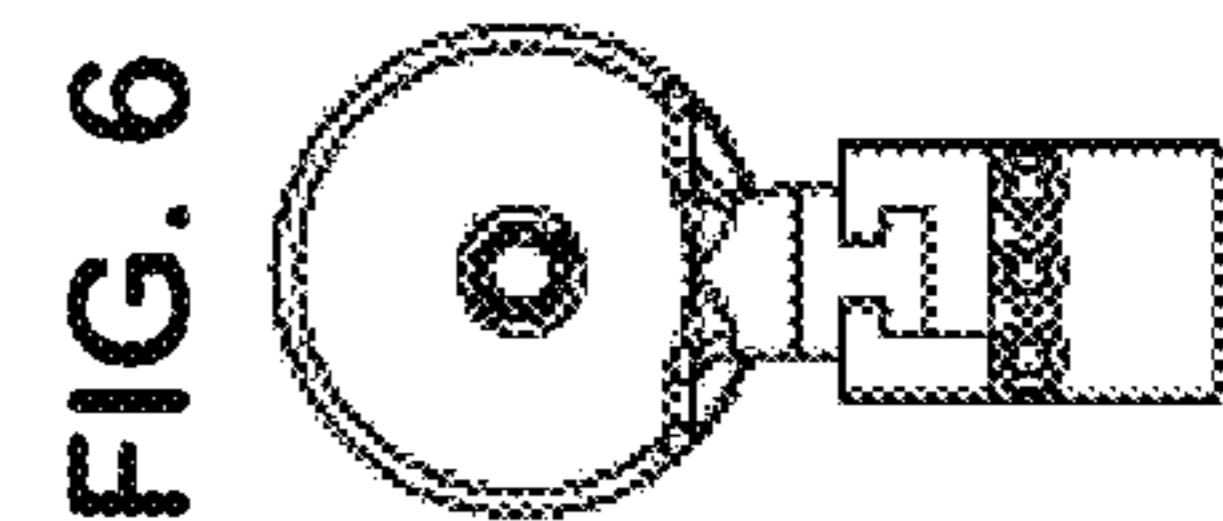


FIG. 6

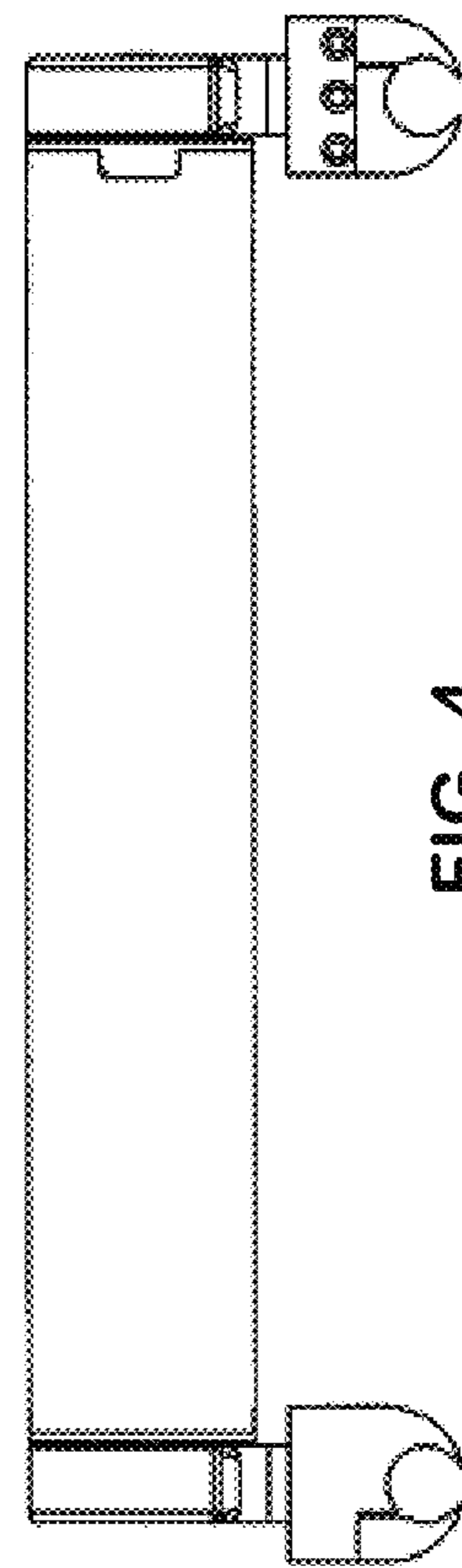


FIG. 4

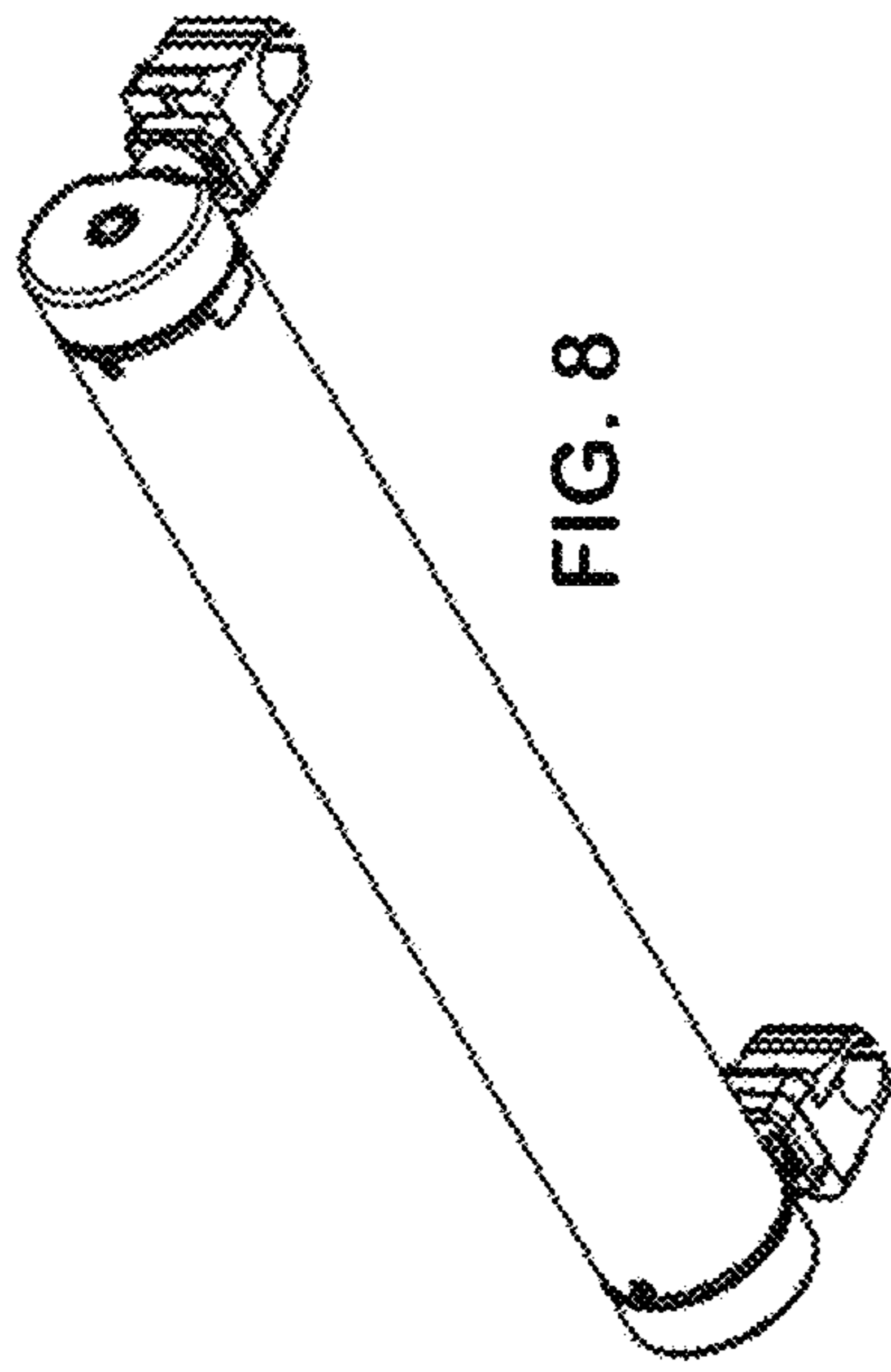


FIG. 7

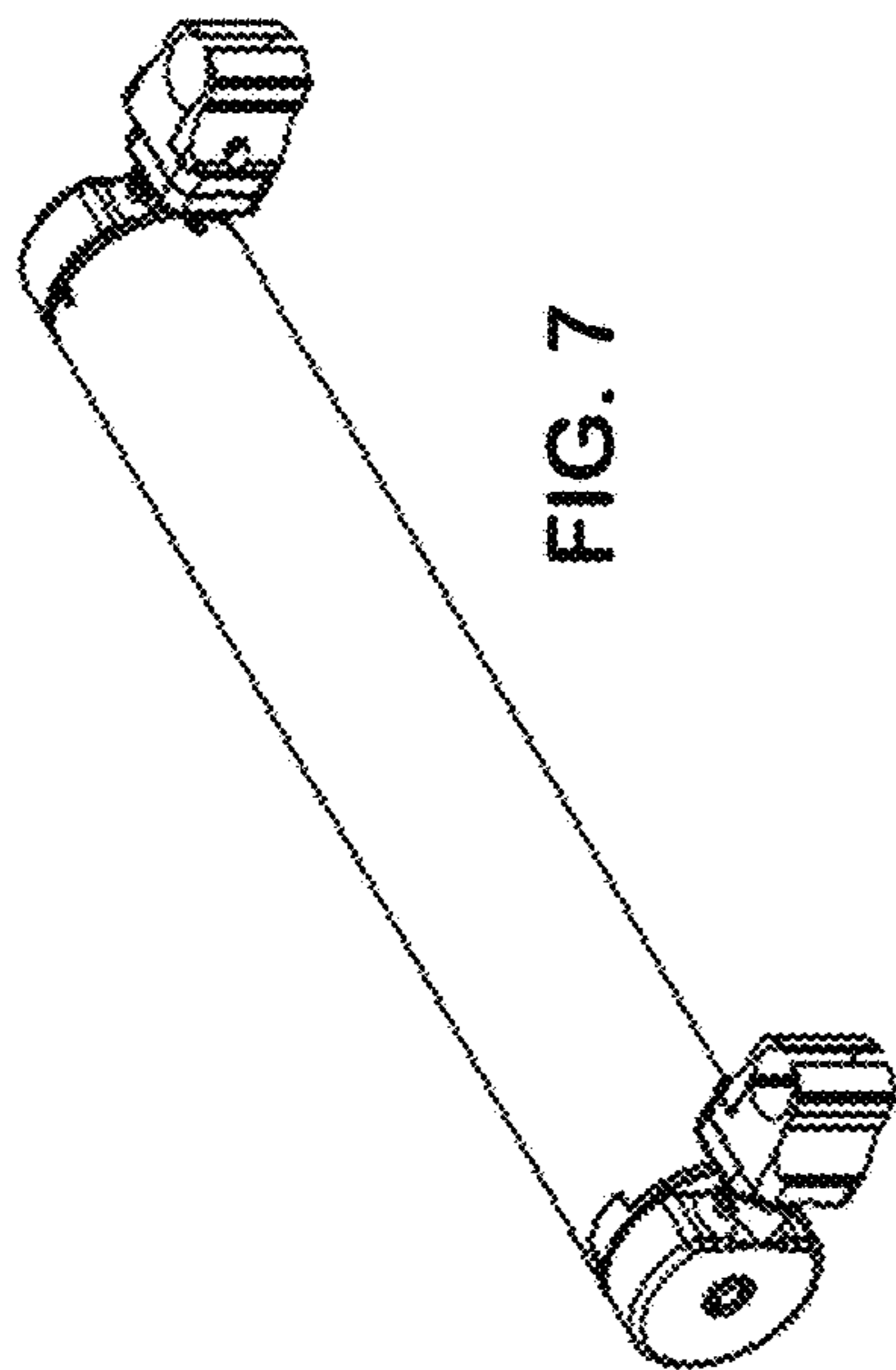


FIG. 8

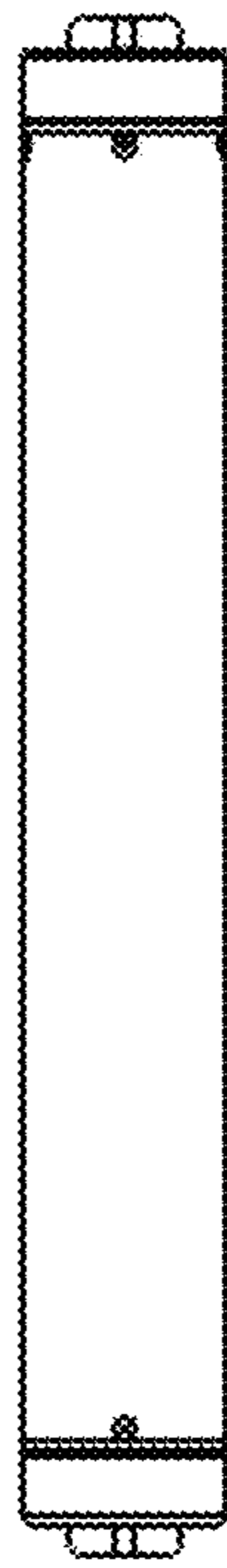


FIG. 9

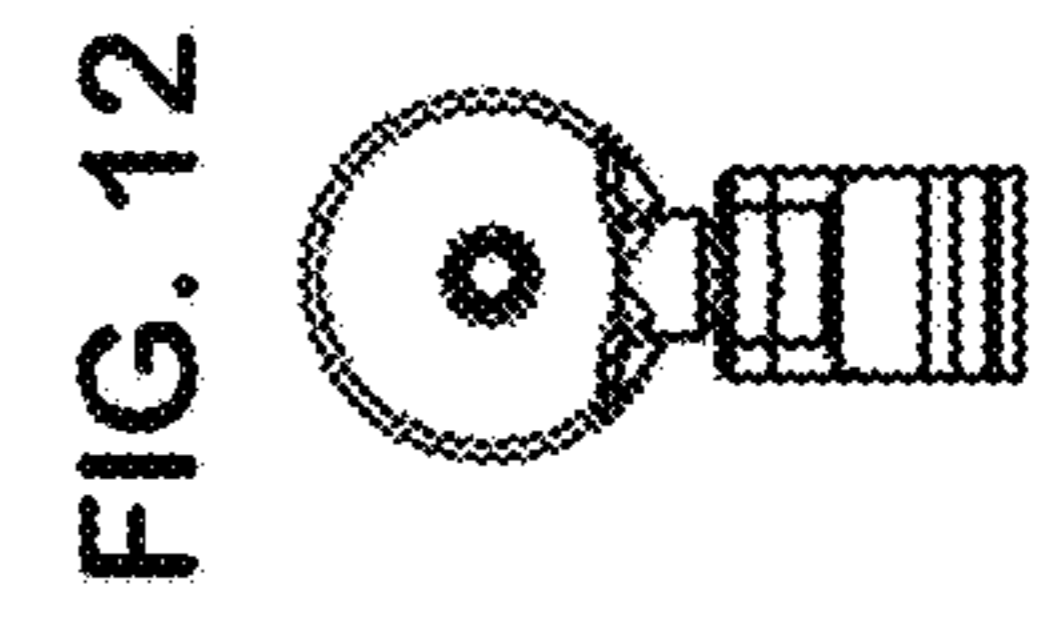


FIG. 10

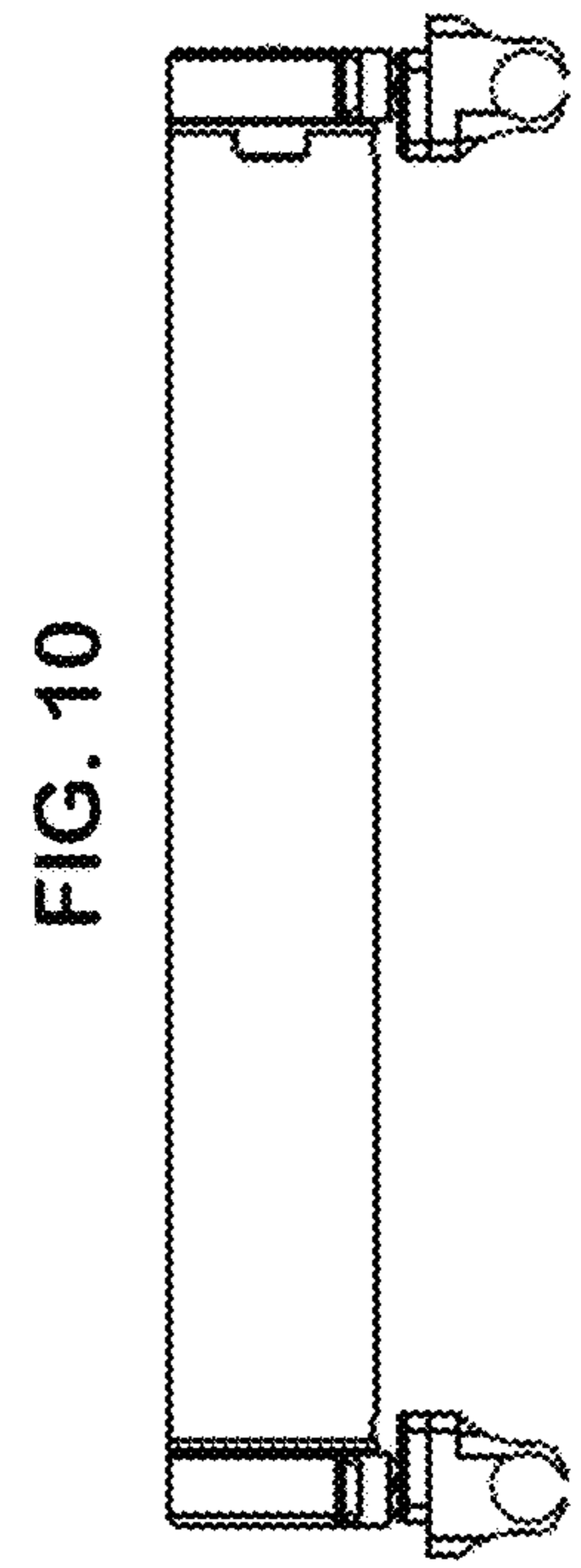


FIG. 11

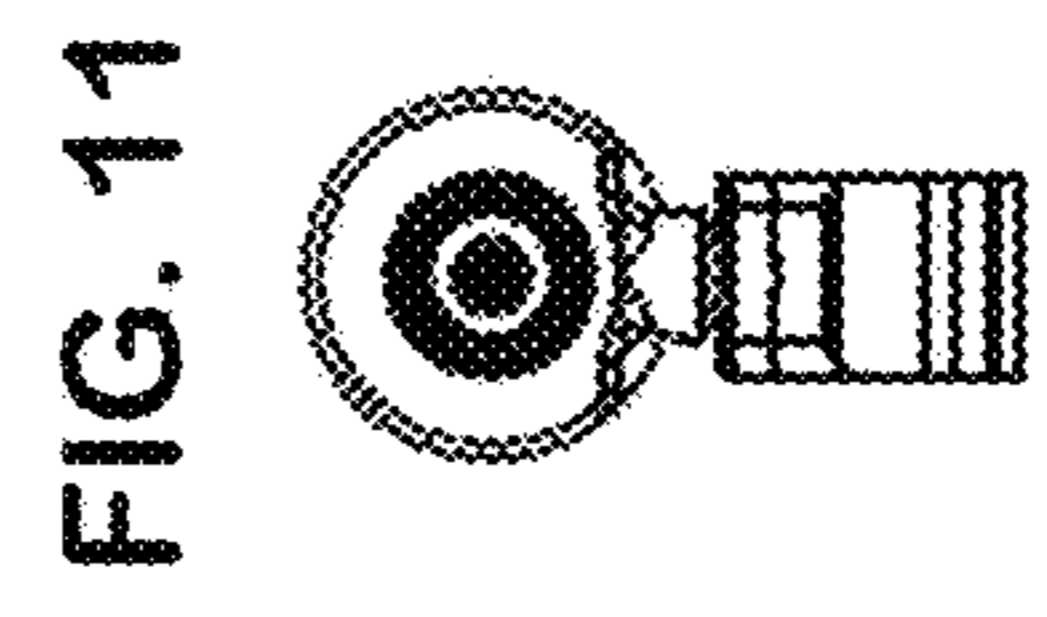


FIG. 12

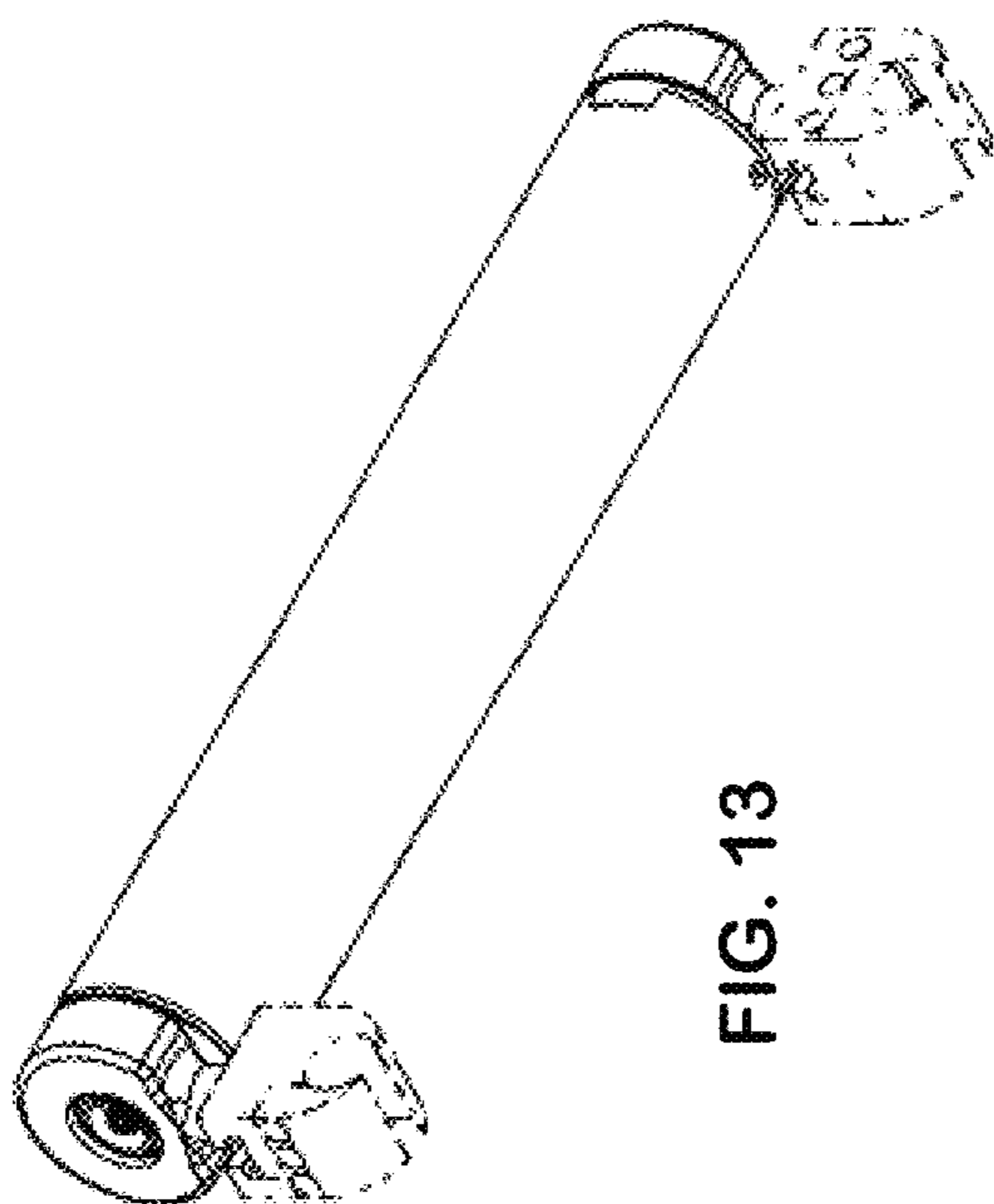


FIG. 13

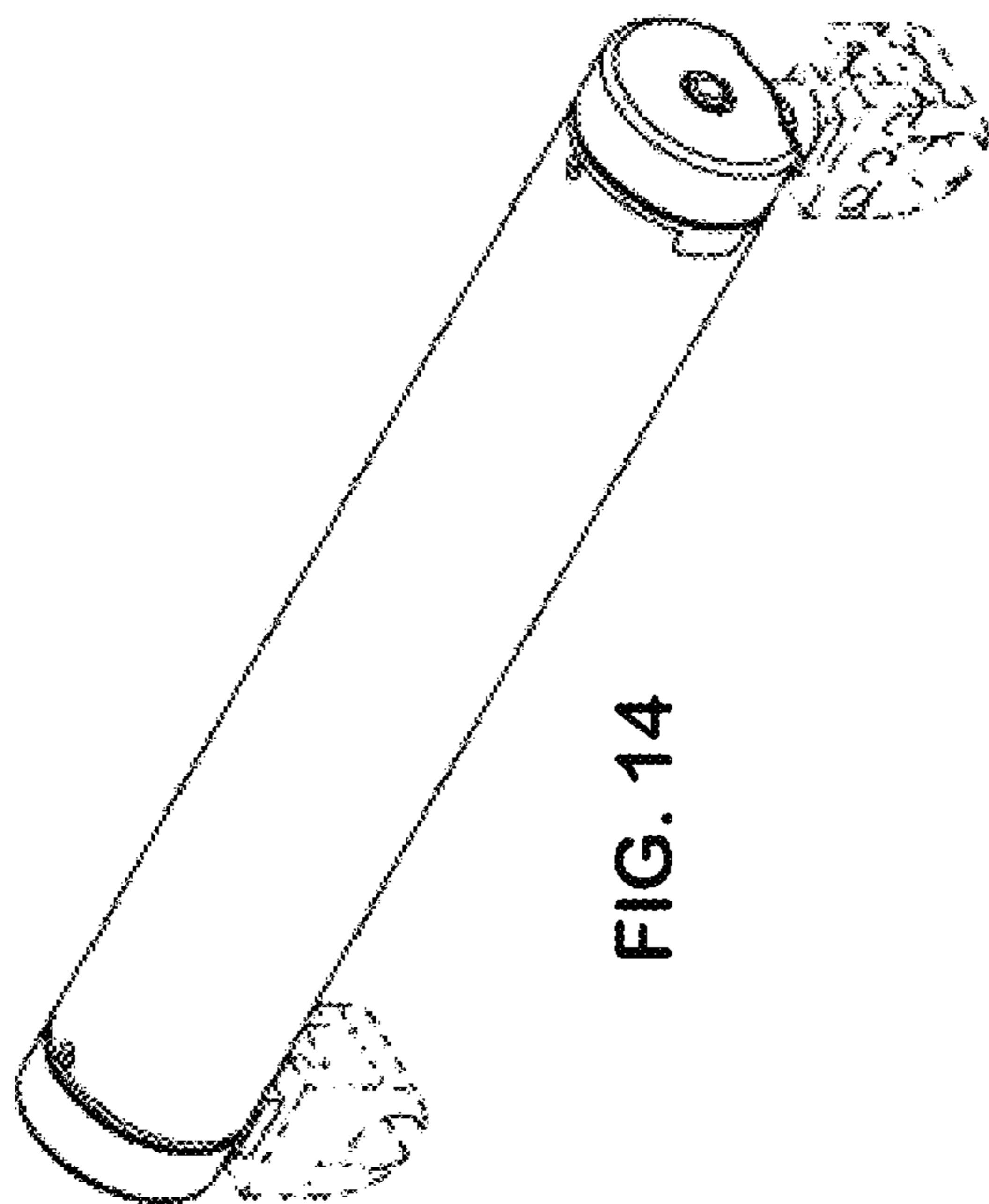


FIG. 14

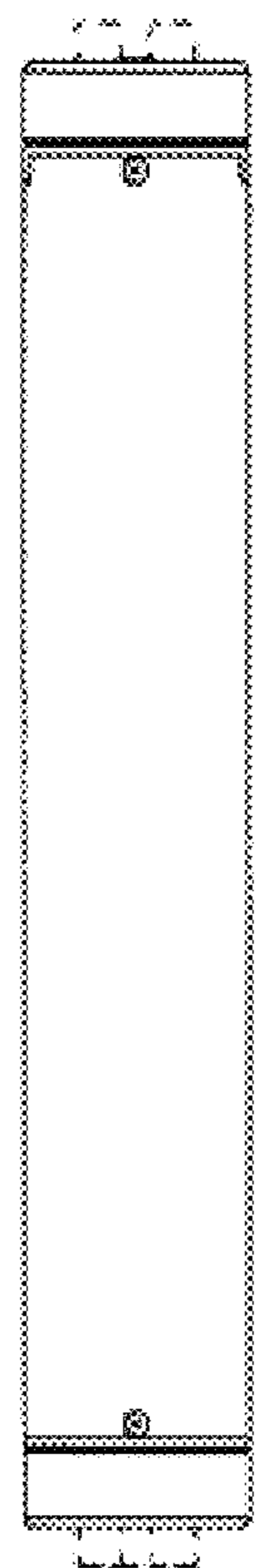


FIG. 15

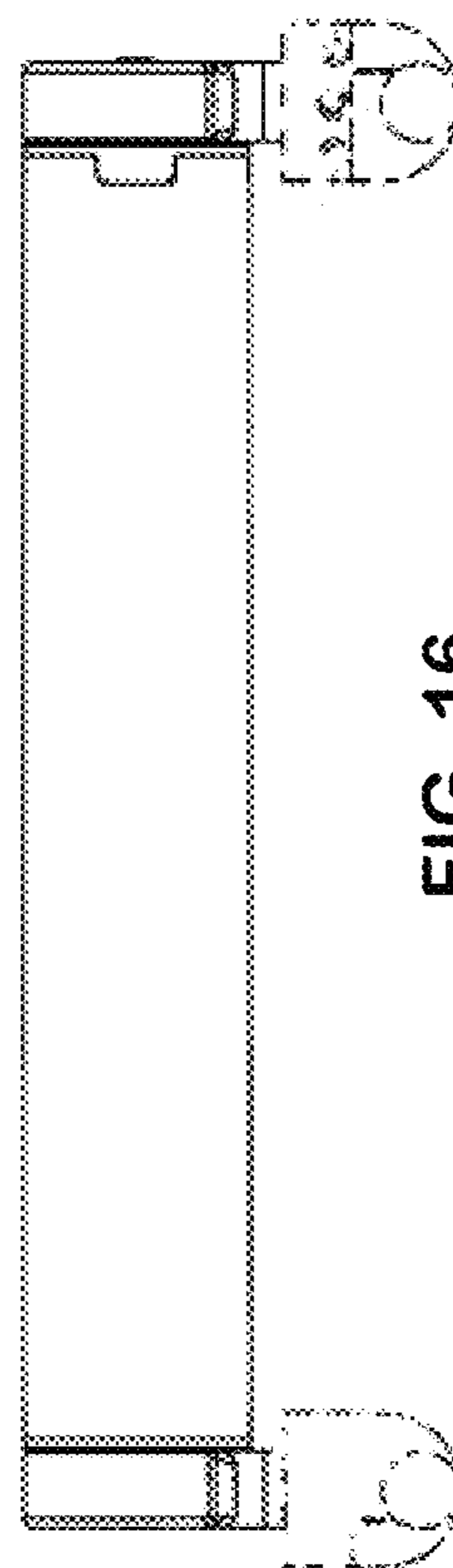


FIG. 16

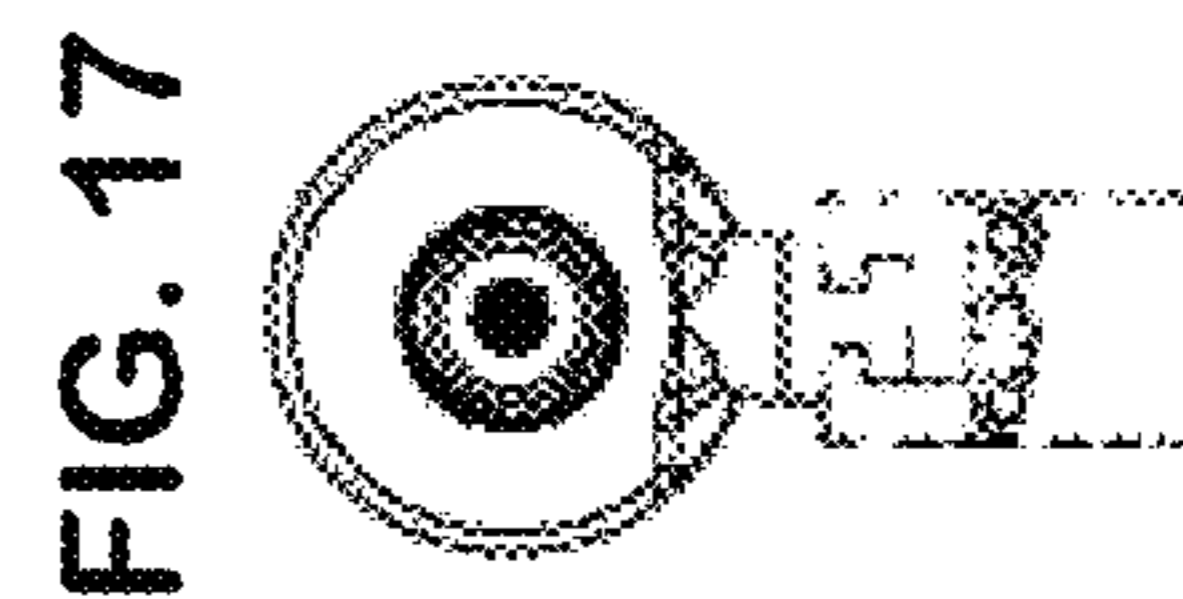


FIG. 17

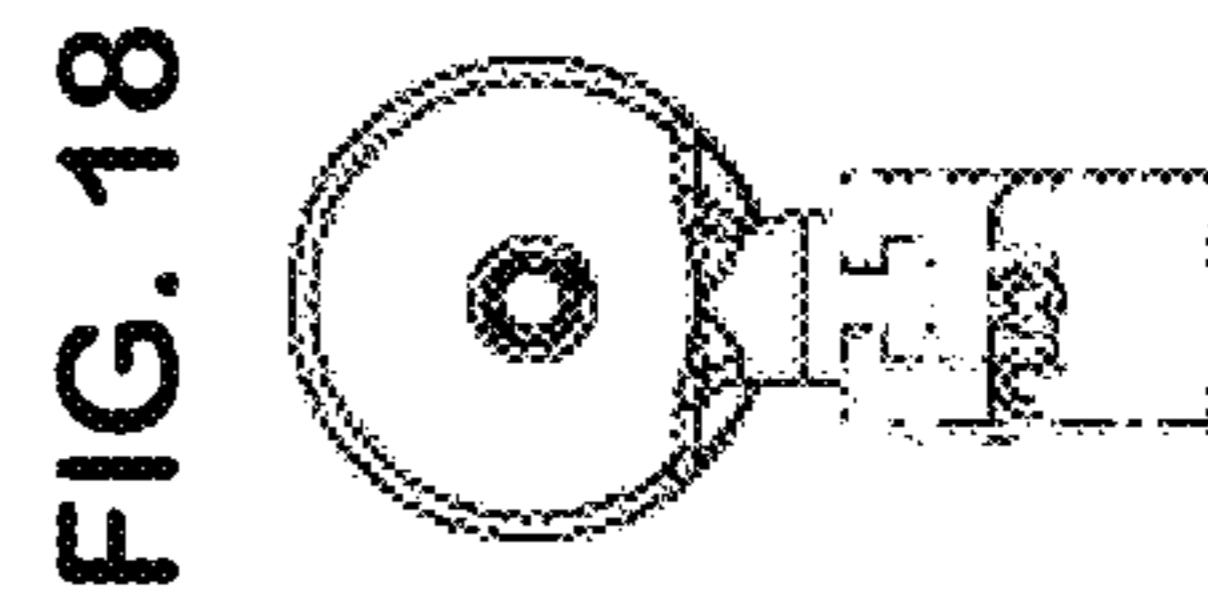


FIG. 18