



US00D874351S

(12) **United States Design Patent** (10) **Patent No.:** **US D874,351 S**
Fellingham et al. (45) **Date of Patent:** **** Feb. 4, 2020**

(54) **WHEELED WALKER**
(71) Applicant: **Protostar, Inc., A Delaware Corporation**, San Diego, CA (US)
(72) Inventors: **Peter James Fellingham**, San Diego, CA (US); **Zelin Zhang**, Foshan (CN); **Yichuan Pan**, San Diego, CA (US); **Craig Timothy Shugert**, Rancho Santa Fe, CA (US)

6,099,002 A 8/2000 Uchiyama
6,494,469 B1 12/2002 Hara et al.
7,001,313 B1 2/2006 Crnkovich
7,052,030 B2 5/2006 Serhan
7,108,004 B2 9/2006 Cowie et al.
D561,065 S 2/2008 Kindberg et al.
7,559,560 B2 7/2009 Li et al.
7,708,120 B2 5/2010 Einbinder
8,215,652 B2 7/2012 Dashew et al.

(Continued)

FOREIGN PATENT DOCUMENTS

(73) Assignee: **Protostar, Inc., A Delaware Corporation**, San Diego, CA (US)

CN 303106952 2/2015

(**) Term: **15 Years**

Primary Examiner — Charles D Hanson

(21) Appl. No.: **29/665,605**

(74) *Attorney, Agent, or Firm* — Stetina Brunda Garred and Brucker

(22) Filed: **Oct. 4, 2018**

(57) **CLAIM**

The ornamental design for a wheeled walker, as shown and described.

Related U.S. Application Data

DESCRIPTION

(63) Continuation-in-part of application No. 15/871,609, filed on Jan. 15, 2018.

(51) **LOC (12) Cl.** **12-12**

(52) **U.S. Cl.**
USPC **D12/130**

(58) **Field of Classification Search**
USPC D12/128–133
CPC A61H 3/00; A61H 3/04; A61H 2003/001–007; A61H 2003/043; A61H 2003/046

See application file for complete search history.

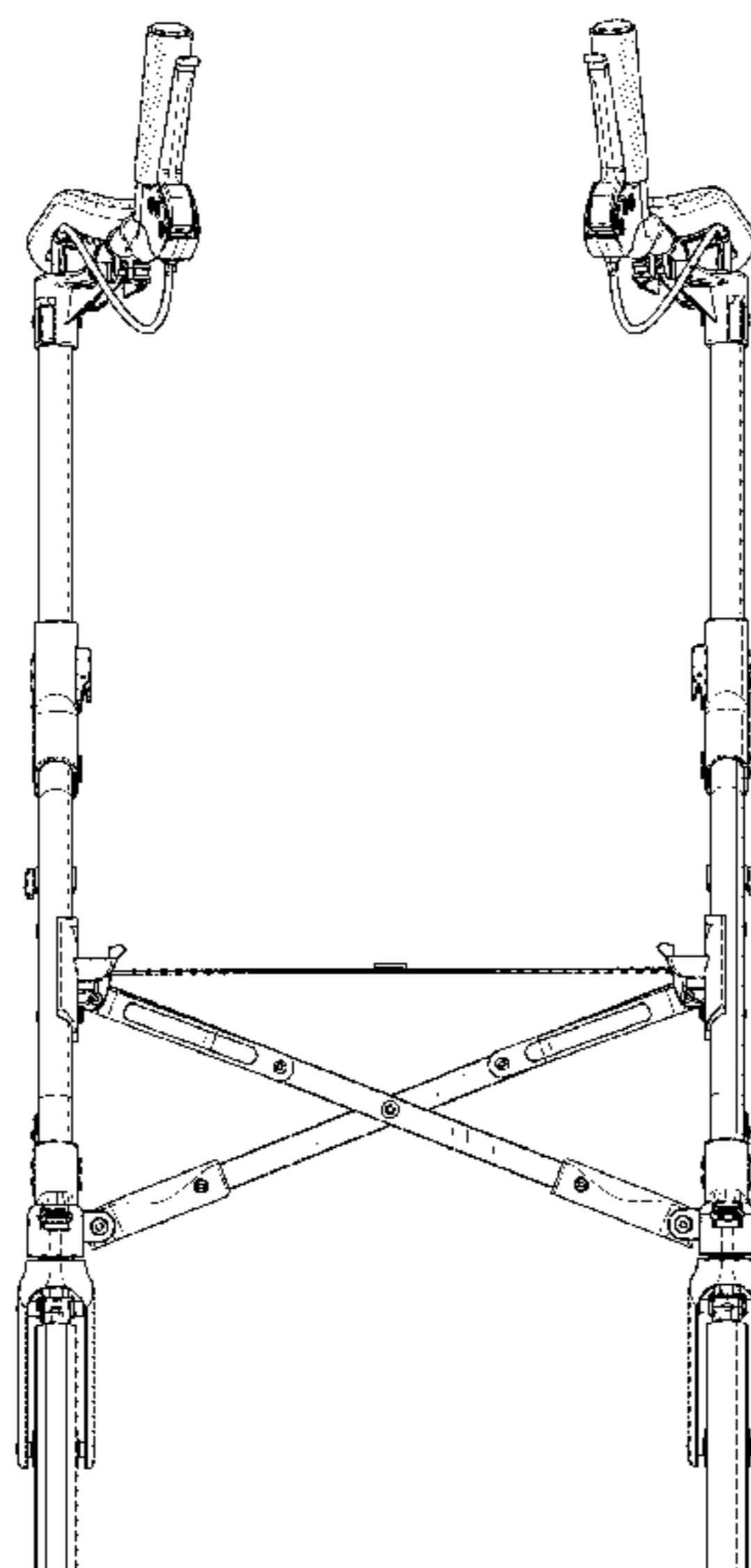
FIG. 1 is a front perspective view of the wheeled walker of the present invention showing our new design;
FIG. 2 is a rear perspective view thereof;
FIG. 3 is a left side view thereof;
FIG. 4 is a front view thereof;
FIG. 5 is a right side view thereof;
FIG. 6 is a rear view thereof;
FIG. 7 is a top view thereof;
FIG. 8 is a bottom view thereof;
FIG. 9 is a front perspective view with forearm rests in lowered position;
FIG. 10 is a rear perspective view with forearm rests in lowered position;
FIG. 11 is a front perspective view in a collapsed configuration; and,
FIG. 12 is a rear perspective view in a collapsed configuration.

(56) **References Cited**

U.S. PATENT DOCUMENTS

4,510,956 A 8/1985 King
4,907,794 A 3/1990 Rose
5,020,560 A 6/1991 Turbeville
5,224,562 A 7/1993 Reed
5,676,388 A 10/1997 Bertani
5,702,326 A 12/1997 Renteria

1 Claim, 12 Drawing Sheets



(56)

References Cited

U.S. PATENT DOCUMENTS

| | | | | | | |
|----------------|---------|-------------------|-----------------|---------|--------------------|-----------|
| 8,840,124 B2 | 9/2014 | Serhan et al. | 9,839,571 B2 * | 12/2017 | Pan | A47C 4/04 |
| 8,998,223 B2 | 4/2015 | Chang | D807,793 S * | 1/2018 | Paterson | D12/130 |
| D739,314 S * | 9/2015 | Wang | 9,877,889 B2 * | 1/2018 | Chen | A61H 3/04 |
| 9,149,408 B2 | 10/2015 | Karlovič | 9,907,723 B2 * | 3/2018 | Bisceglia | A61H 3/04 |
| 9,173,802 B2 | 11/2015 | Willis | 9,968,509 B2 * | 5/2018 | Andersen | A61H 3/04 |
| 9,221,433 B2 | 12/2015 | Dunlap | 9,974,708 B1 * | 5/2018 | Janeczek | A61H 3/04 |
| 9,226,868 B2 * | 1/2016 | Andersen | 2005/0156395 A1 | 7/2005 | Bohn | |
| D754,034 S * | 4/2016 | Wang | 2005/0211285 A1 | 9/2005 | Cowie et al. | |
| D754,568 S * | 4/2016 | Wang | 2007/0204429 A1 | 9/2007 | Cheng | |
| 9,314,395 B1 | 4/2016 | Vanausdall | 2014/0125037 A1 | 5/2014 | Andersen | |
| 9,339,432 B2 | 5/2016 | Liu et al. | 2015/0173994 A1 | 6/2015 | Chen | |
| 9,381,132 B2 * | 7/2016 | Chen | 2015/0320633 A1 | 11/2015 | Jacobs | |
| 9,585,807 B2 | 3/2017 | Fellingham et al. | 2016/0120731 A1 | 5/2016 | Vanausdall | |
| 9,662,264 B2 | 5/2017 | Jacobs | 2016/0287465 A1 | 10/2016 | Rabin et al. | |
| 9,687,411 B2 * | 6/2017 | Chen | 2016/0296409 A1 | 10/2016 | Schraudolph et al. | |
| 9,744,094 B2 | 8/2017 | Liu et al. | 2016/0331626 A1 | 11/2016 | Fellingham et al. | |
| 9,763,849 B2 * | 9/2017 | Paterson | 2017/0065479 A1 | 5/2017 | Fellingham et al. | |
| | | | 2017/0175997 A1 | 6/2017 | Rosenblum | |
| | | | 2017/0231857 A1 | 8/2017 | Vanausdall | |
| | | | 2017/0258664 A1 | 9/2017 | Purcell | |

* cited by examiner

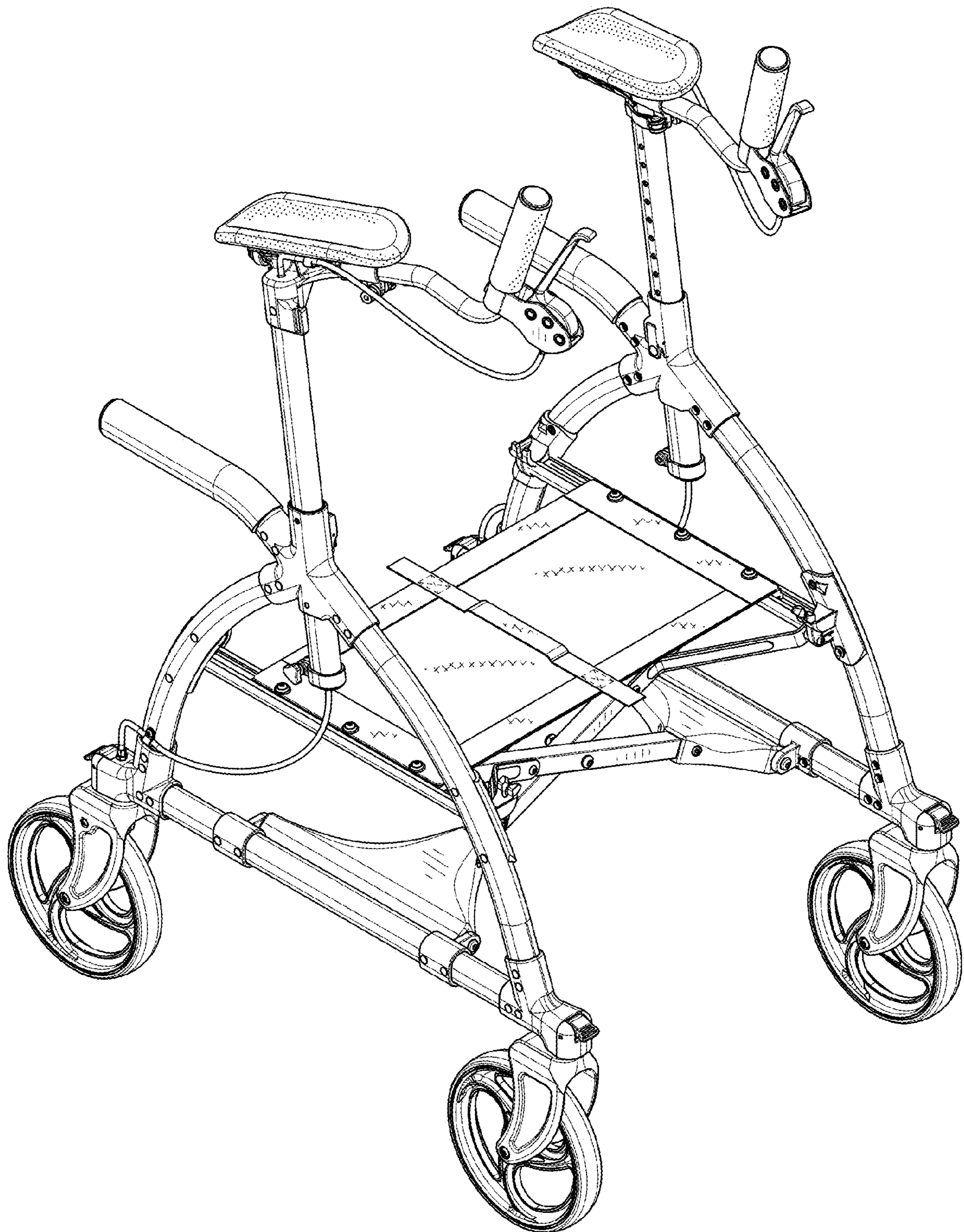


FIG. 1



FIG. 2

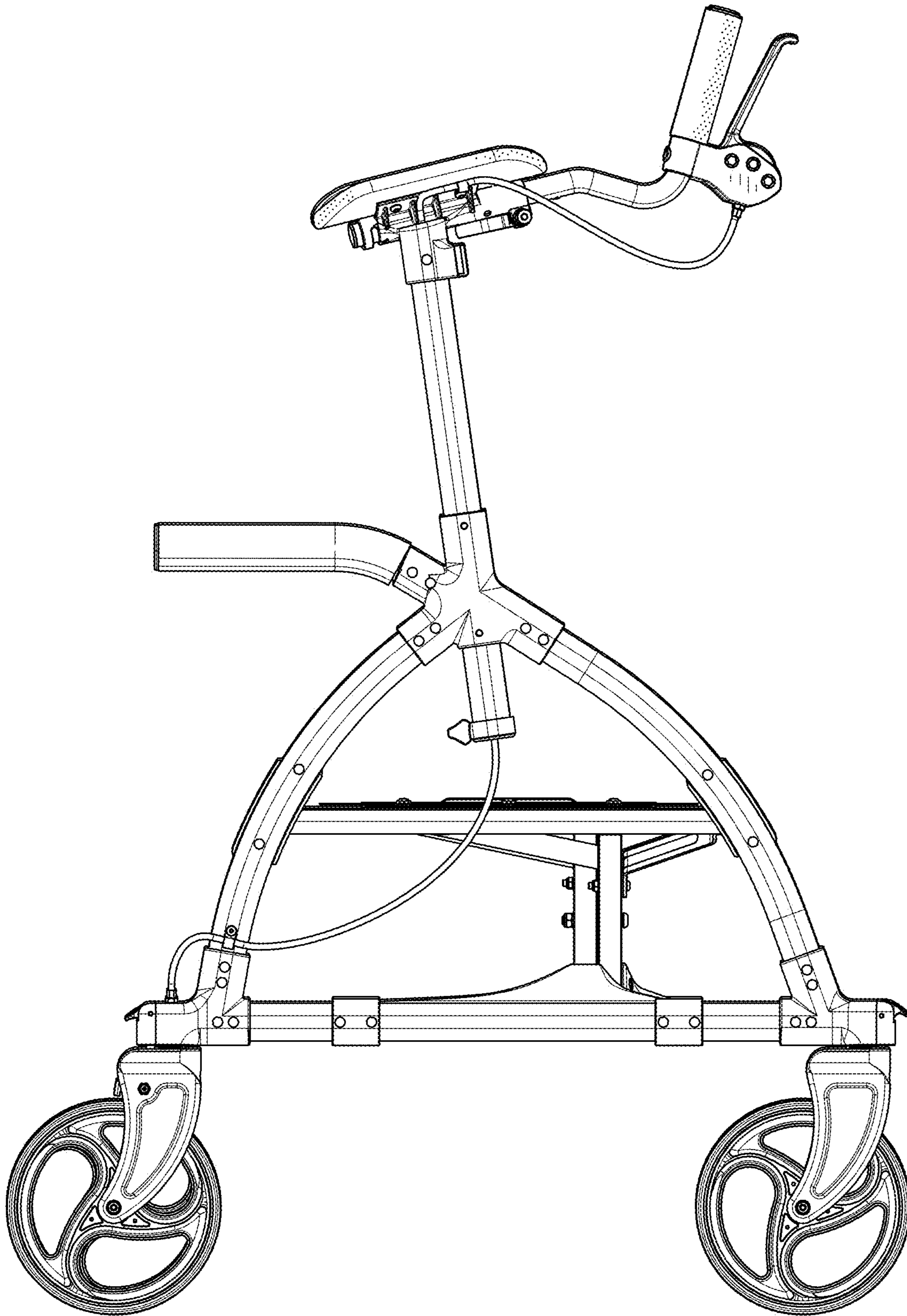


FIG. 3

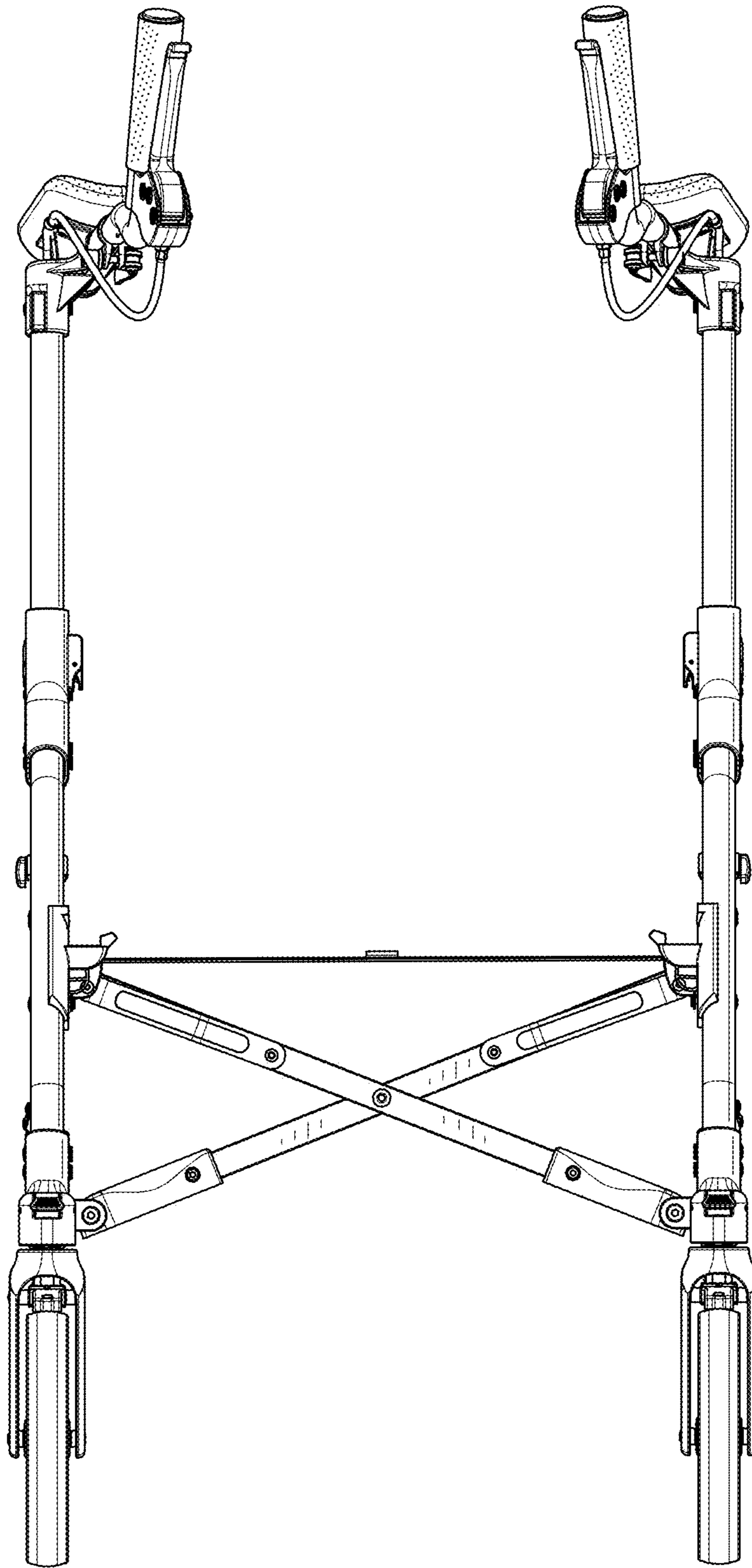


FIG. 4

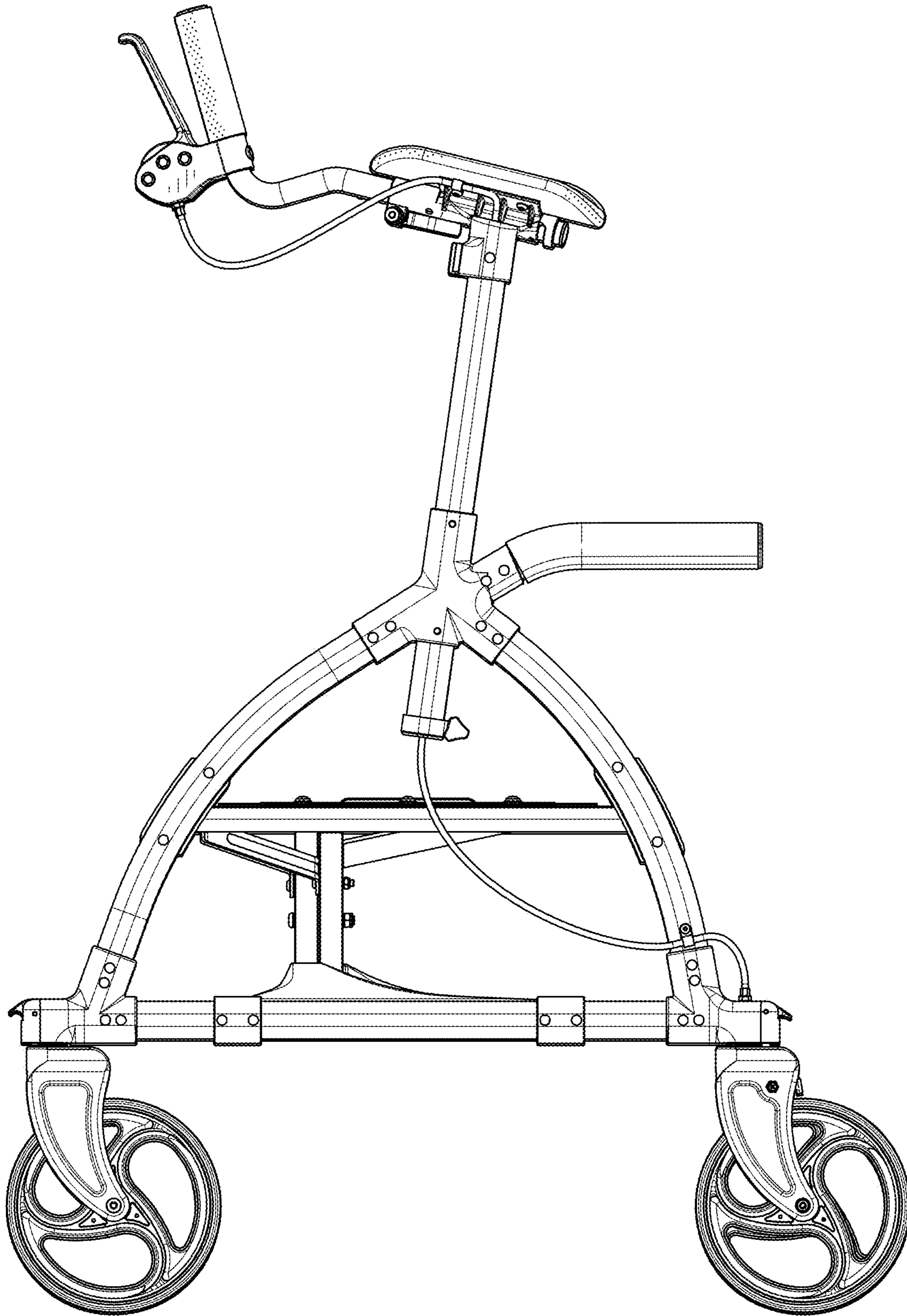


FIG. 5

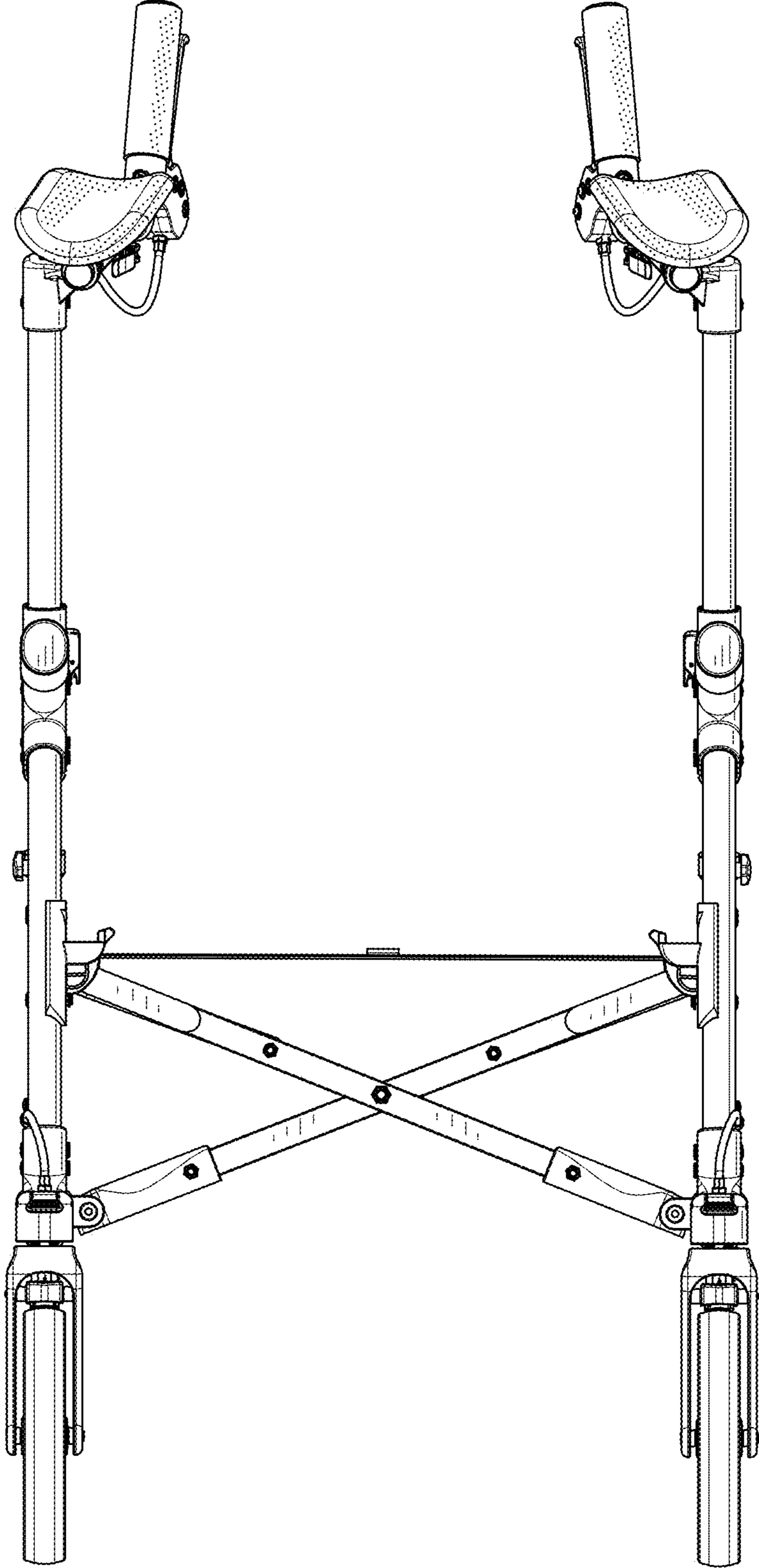


FIG. 6

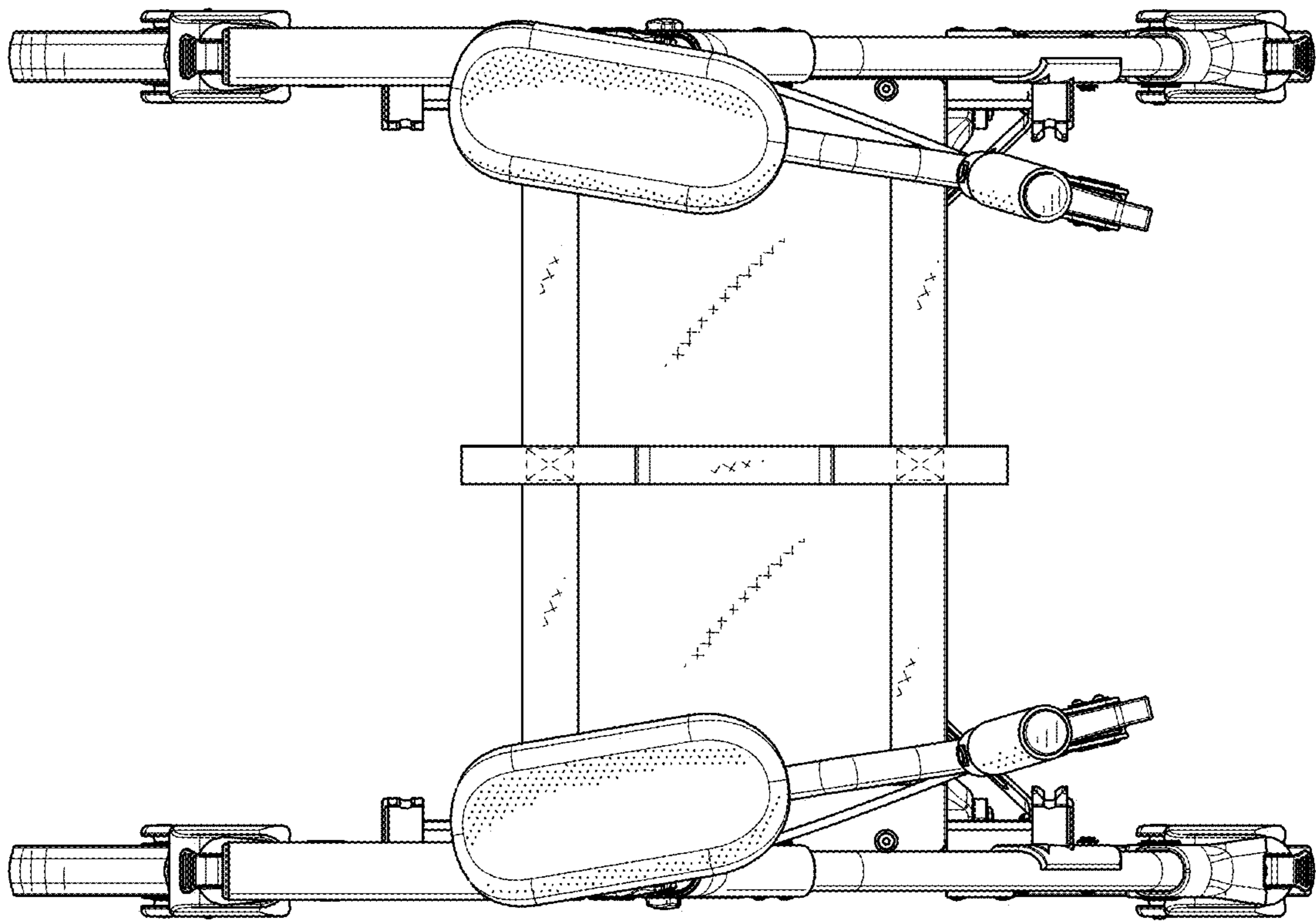


FIG. 7

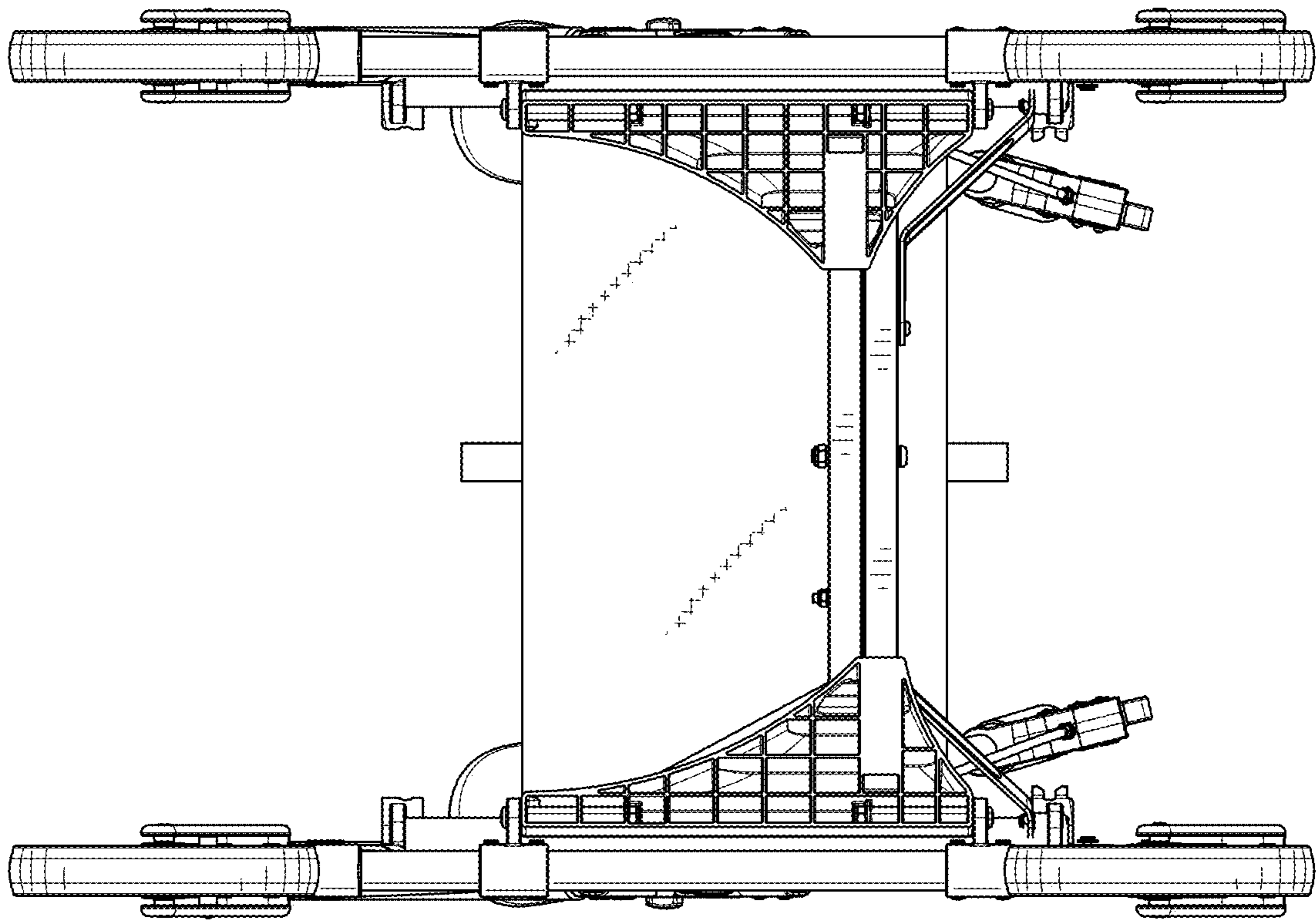


FIG. 8

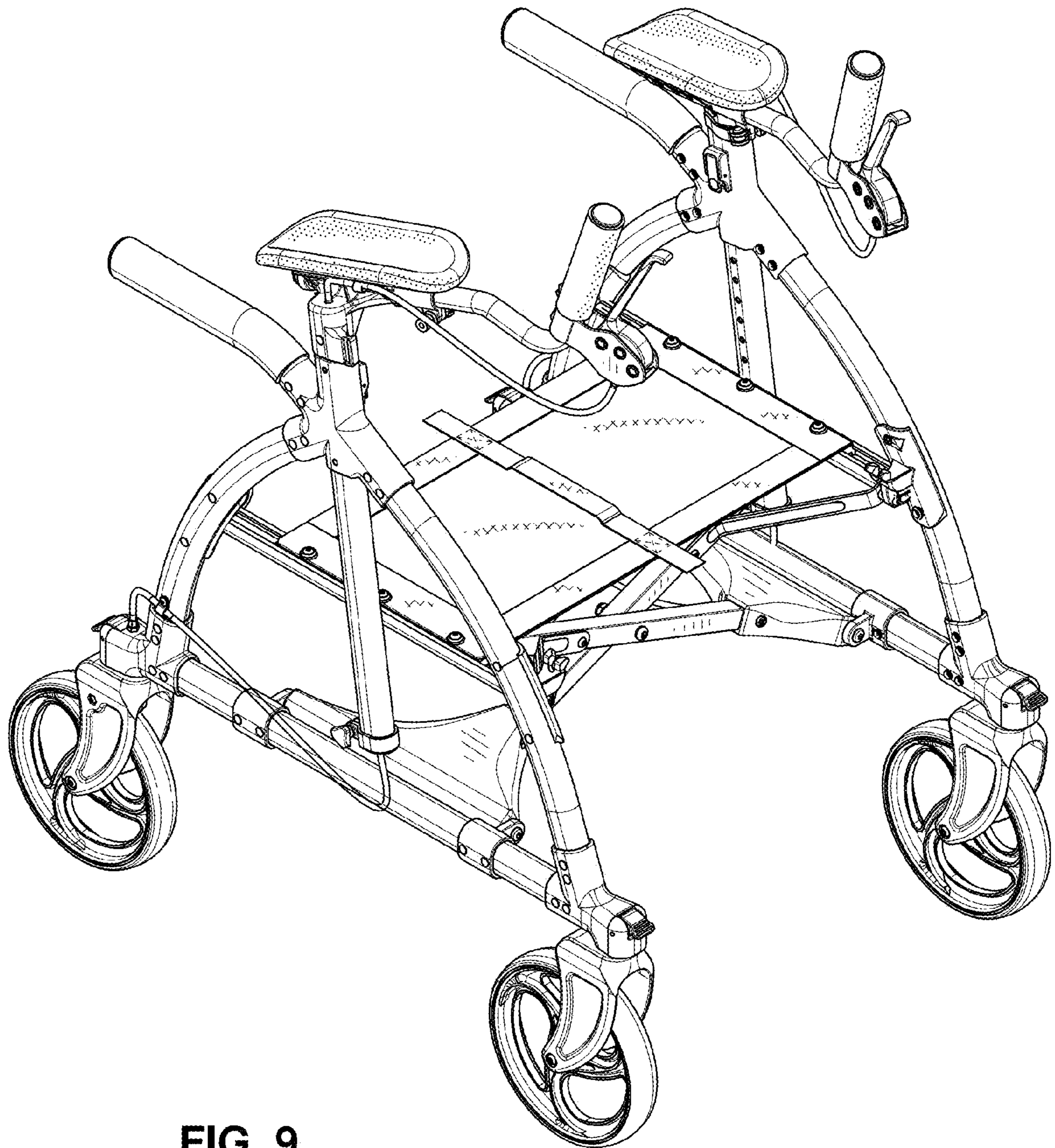


FIG. 9

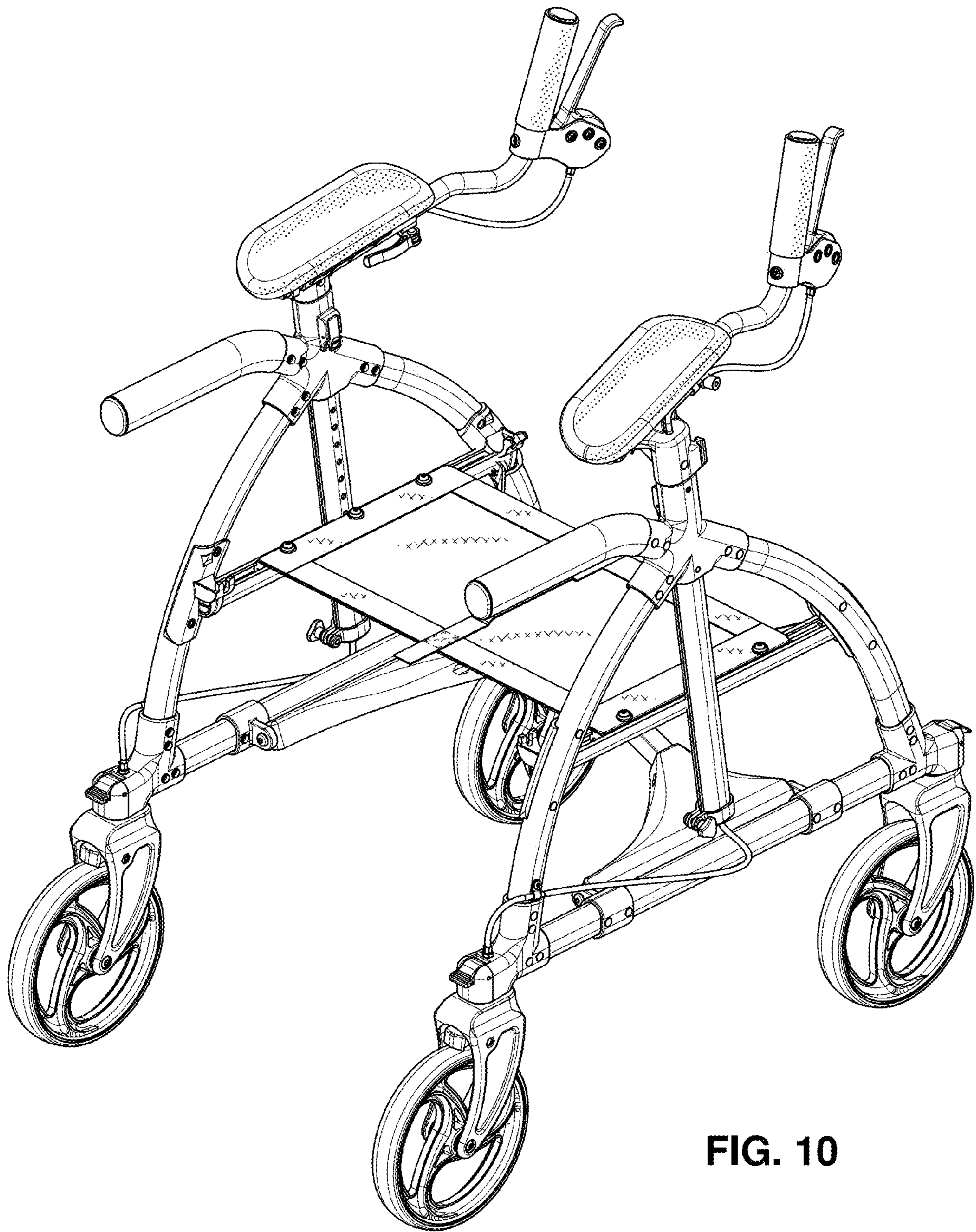


FIG. 10

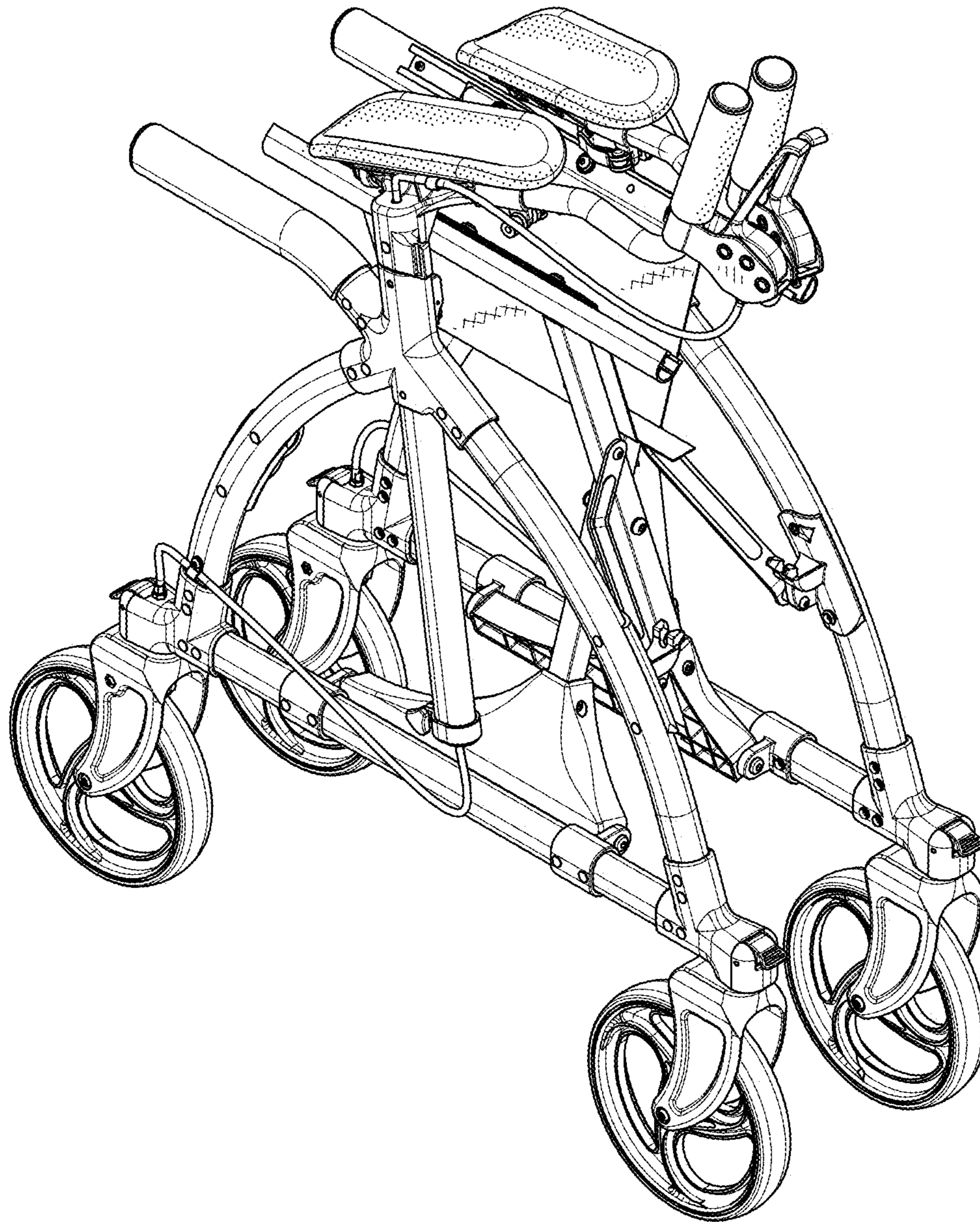


FIG. 11

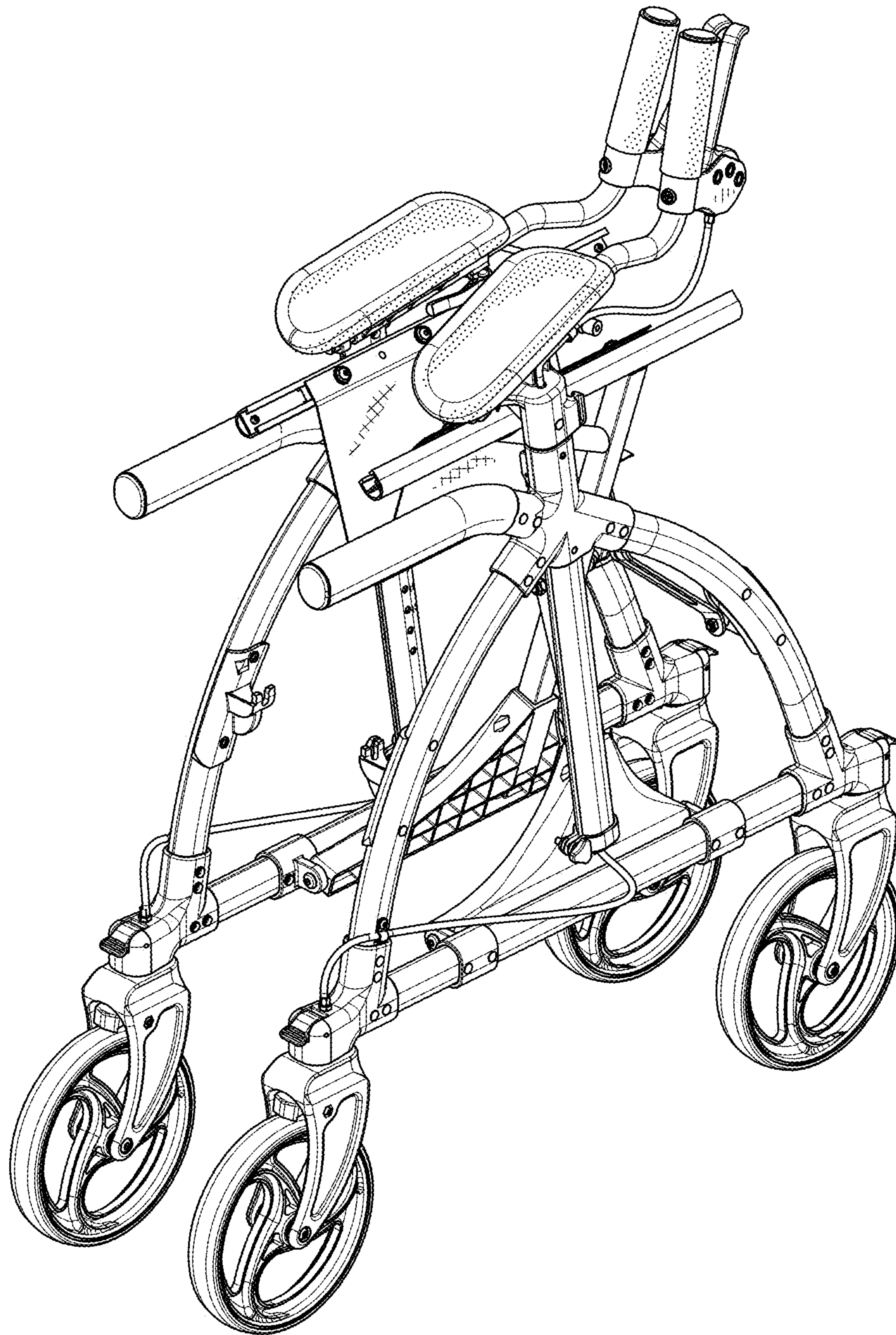


FIG. 12