



US00D874349S

(12) **United States Design Patent**
Kimura

(10) **Patent No.:** **US D874,349 S**

(45) **Date of Patent:** **** Feb. 4, 2020**

(54) **ELECTRIC WHEELCHAIR AND/OR
REPLICA THEREOF**

(71) Applicant: **HONDA MOTOR CO., LTD.**, Tokyo
(JP)

(72) Inventor: **Akira Kimura**, Wako (JP)

(73) Assignee: **HONDA MOTOR CO., LTD.**, Tokyo
(JP)

(**) Term: **15 Years**

(21) Appl. No.: **29/642,597**

(22) Filed: **Mar. 30, 2018**

(30) **Foreign Application Priority Data**

Oct. 3, 2017 (JP) 2017-021899

(51) **LOC (12) Cl.** **12-12**

(52) **U.S. Cl.**
USPC **D12/128**

(58) **Field of Classification Search**
USPC D12/128-133
CPC A61G 5/04; A61G 5/041-047; A61G
2005/048

See application file for complete search history.

(56) **References Cited**

U.S. PATENT DOCUMENTS

D526,938 S * 8/2006 Nagel D12/128
D530,650 S * 10/2006 Azuma D12/131

D556,647 S * 12/2007 Yamagishi D12/131
D561,651 S * 2/2008 Yamagishi D12/131
D590,751 S * 4/2009 Yang D12/128
D608,255 S * 1/2010 Arnell D12/132
D786,740 S * 5/2017 Abe D12/128
D833,917 S * 11/2018 Jiang D12/128
D848,905 S * 5/2019 Jiang D12/128
D849,604 S * 5/2019 Wu D12/128

* cited by examiner

Primary Examiner — Charles D Hanson

(74) *Attorney, Agent, or Firm* — Westerman, Hattori,
Daniels & Adrian, LLP

(57) **CLAIM**

The ornamental design for an electric wheelchair and/or
replica thereof, as shown and described herein.

DESCRIPTION

FIG. 1 is a front view of an electric wheelchair and/or replica
thereof;

FIG. 2 is a rear view thereof;

FIG. 3 is a plan view thereof;

FIG. 4 is a left side view thereof;

FIG. 5 is a right side view thereof;

FIG. 6 is a front perspective view thereof as seen from the
left upper side; and,

FIG. 7 is a rear perspective view thereof as seen from the
right upper side.

The broken lines in the drawings illustrate portions of the
electric wheelchair and/or replica thereof that form no part
of the claimed design.

1 Claim, 4 Drawing Sheets

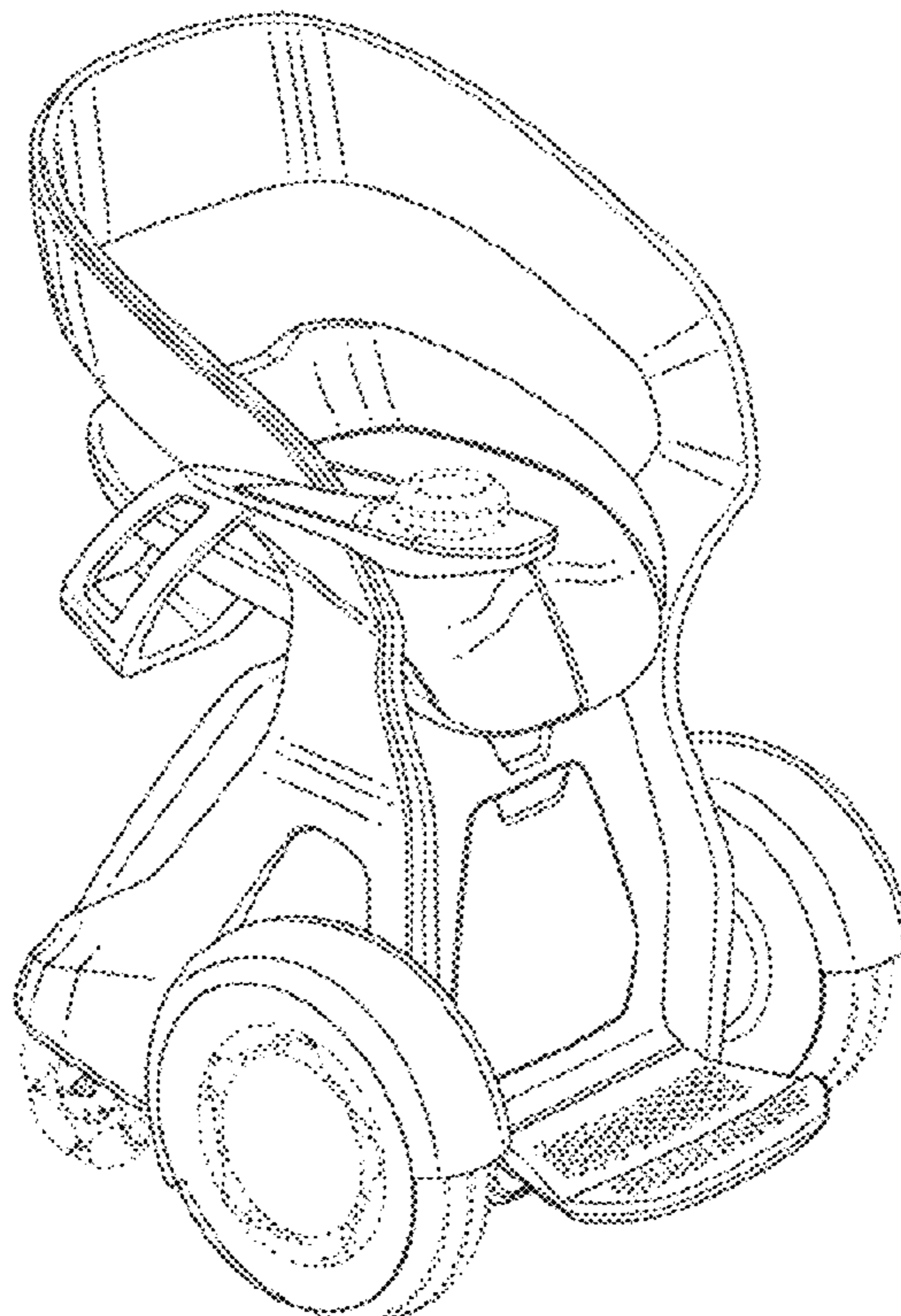


FIG.1

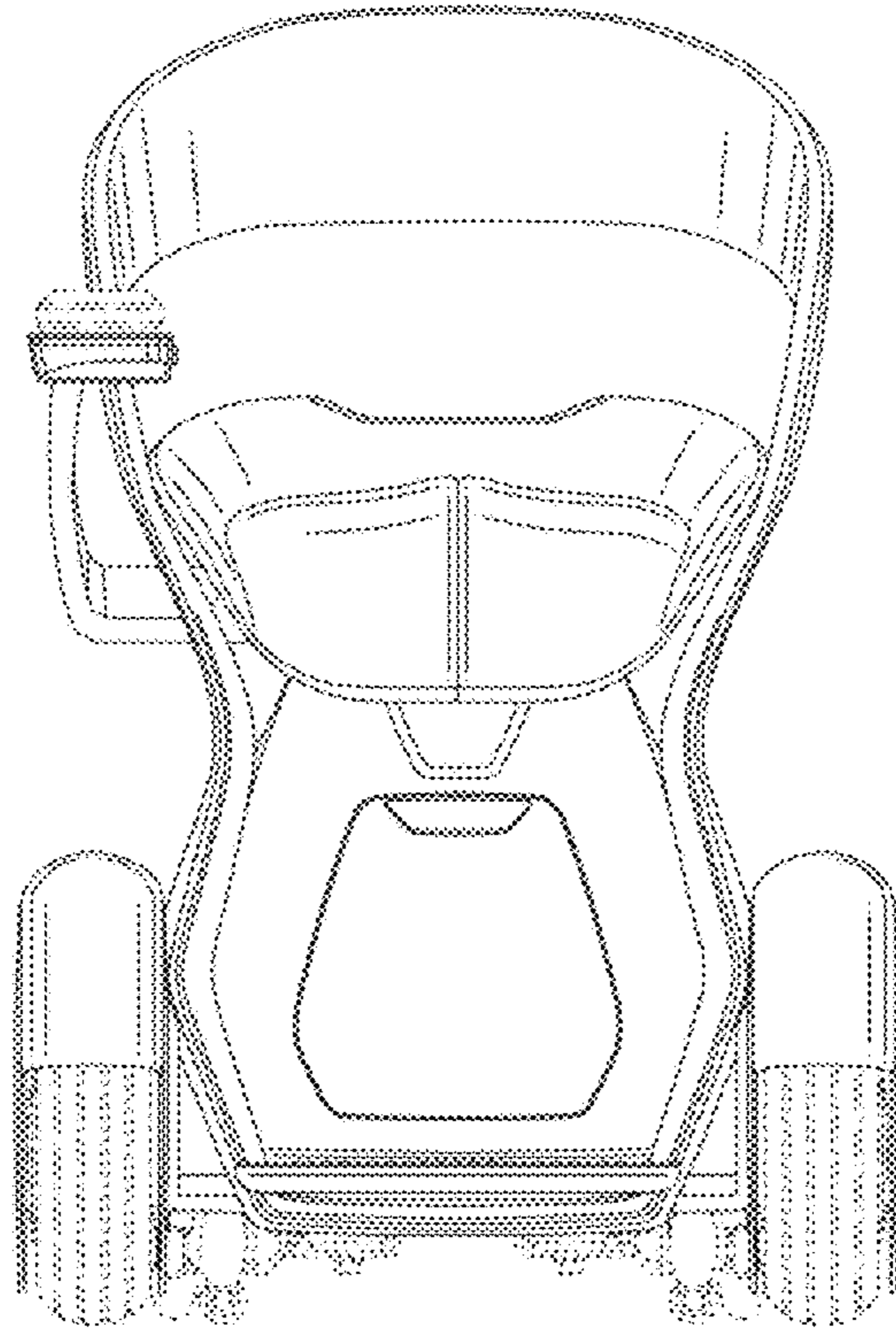


FIG.2

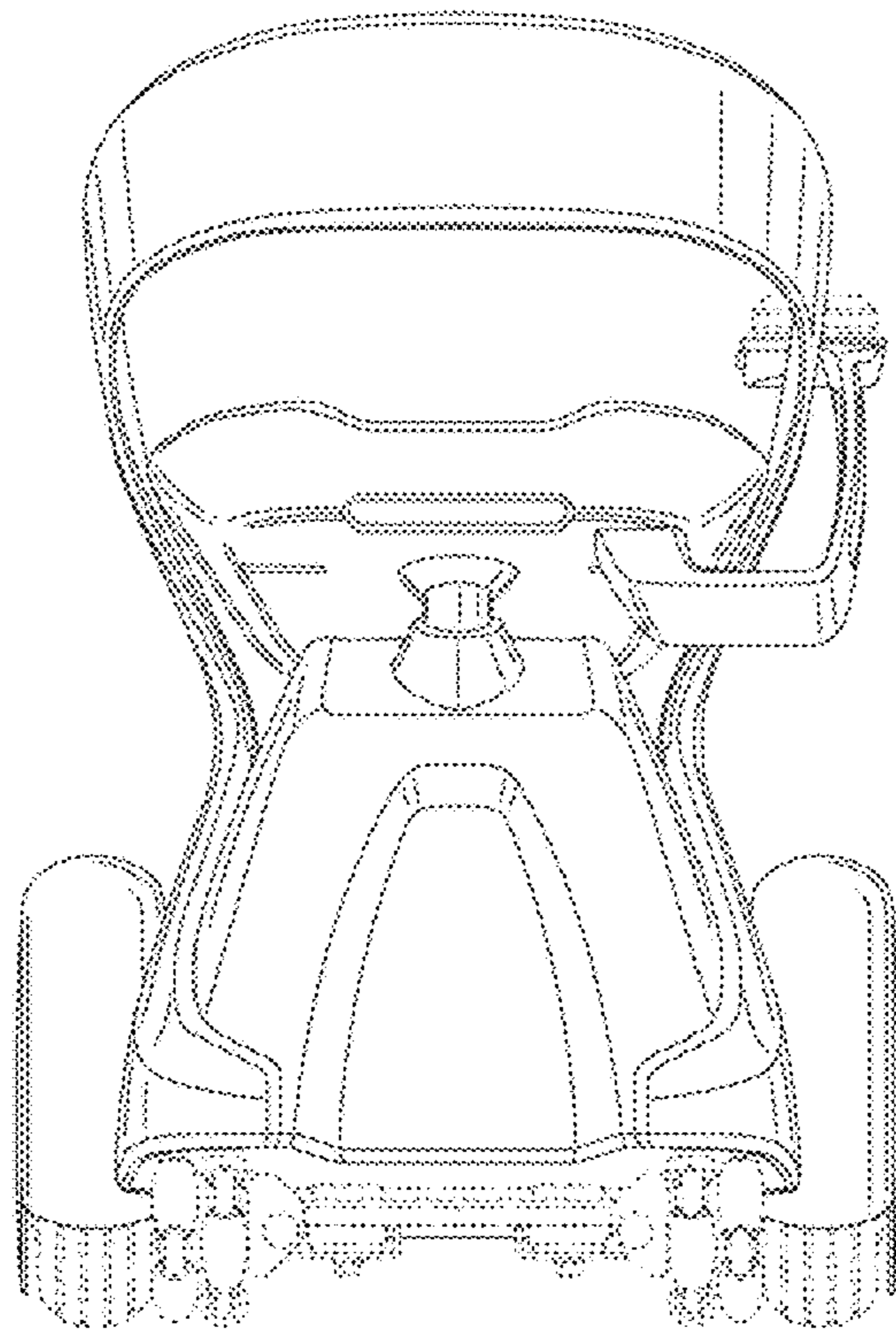


FIG.3

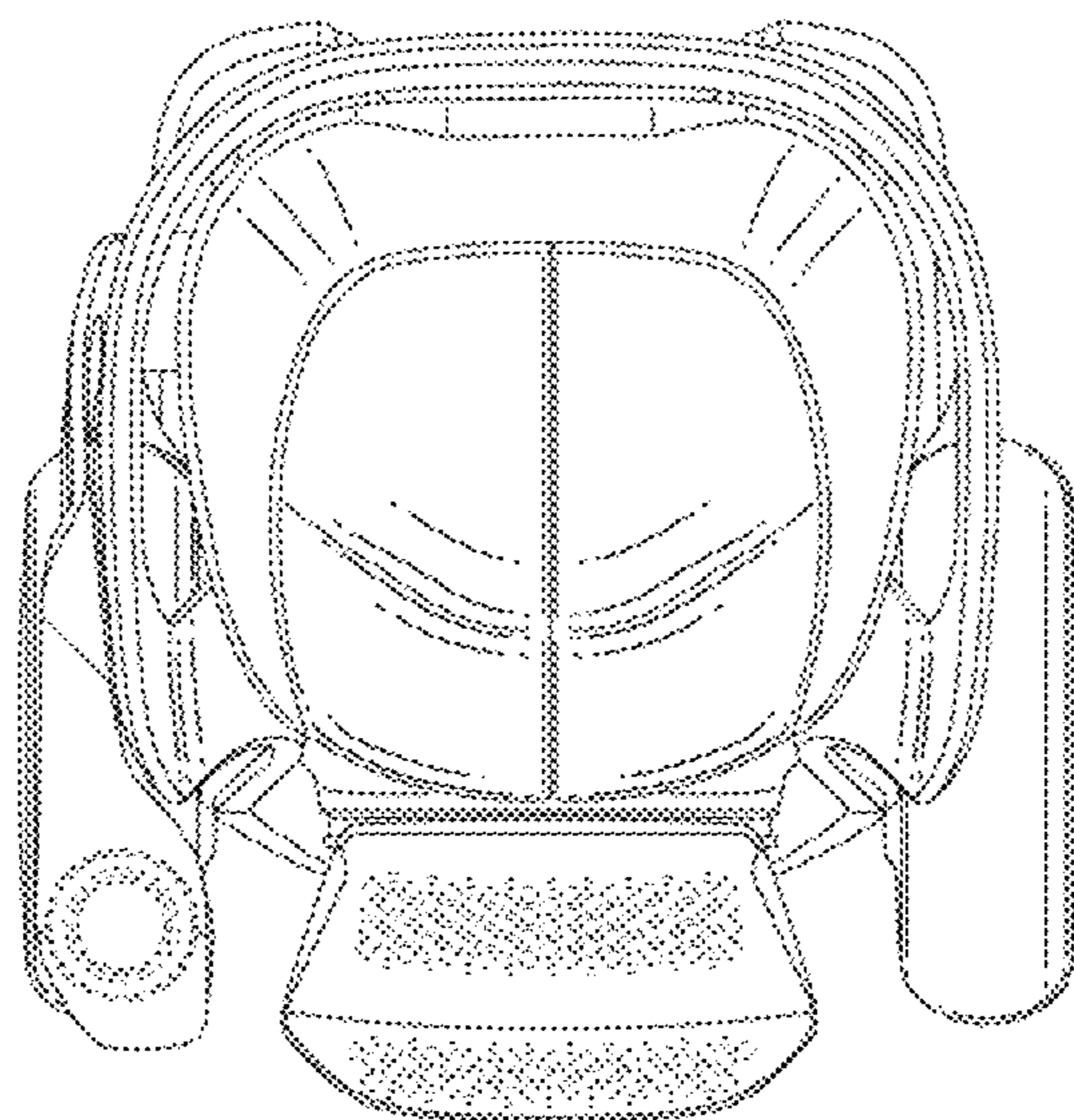


FIG.4

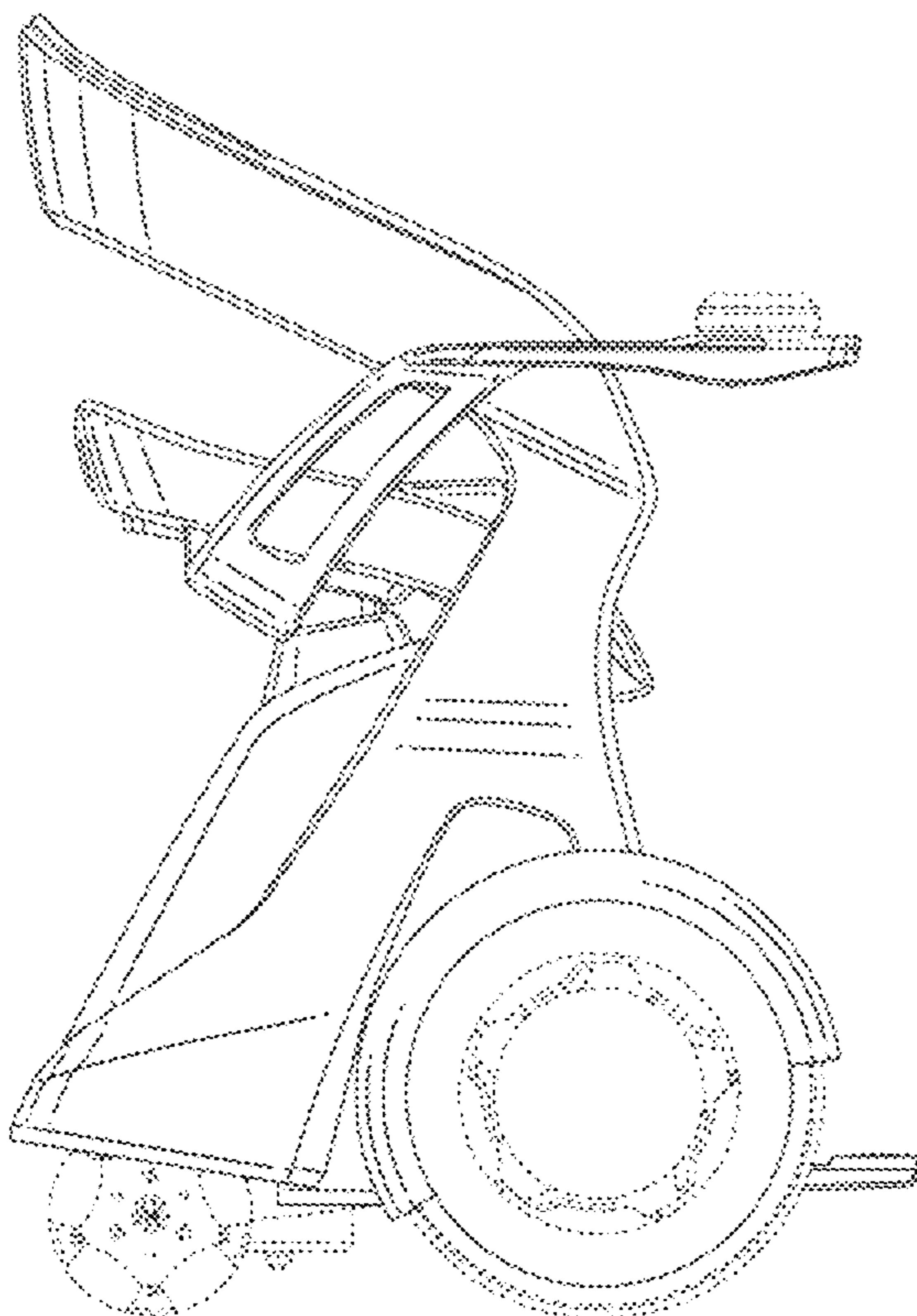


FIG.5

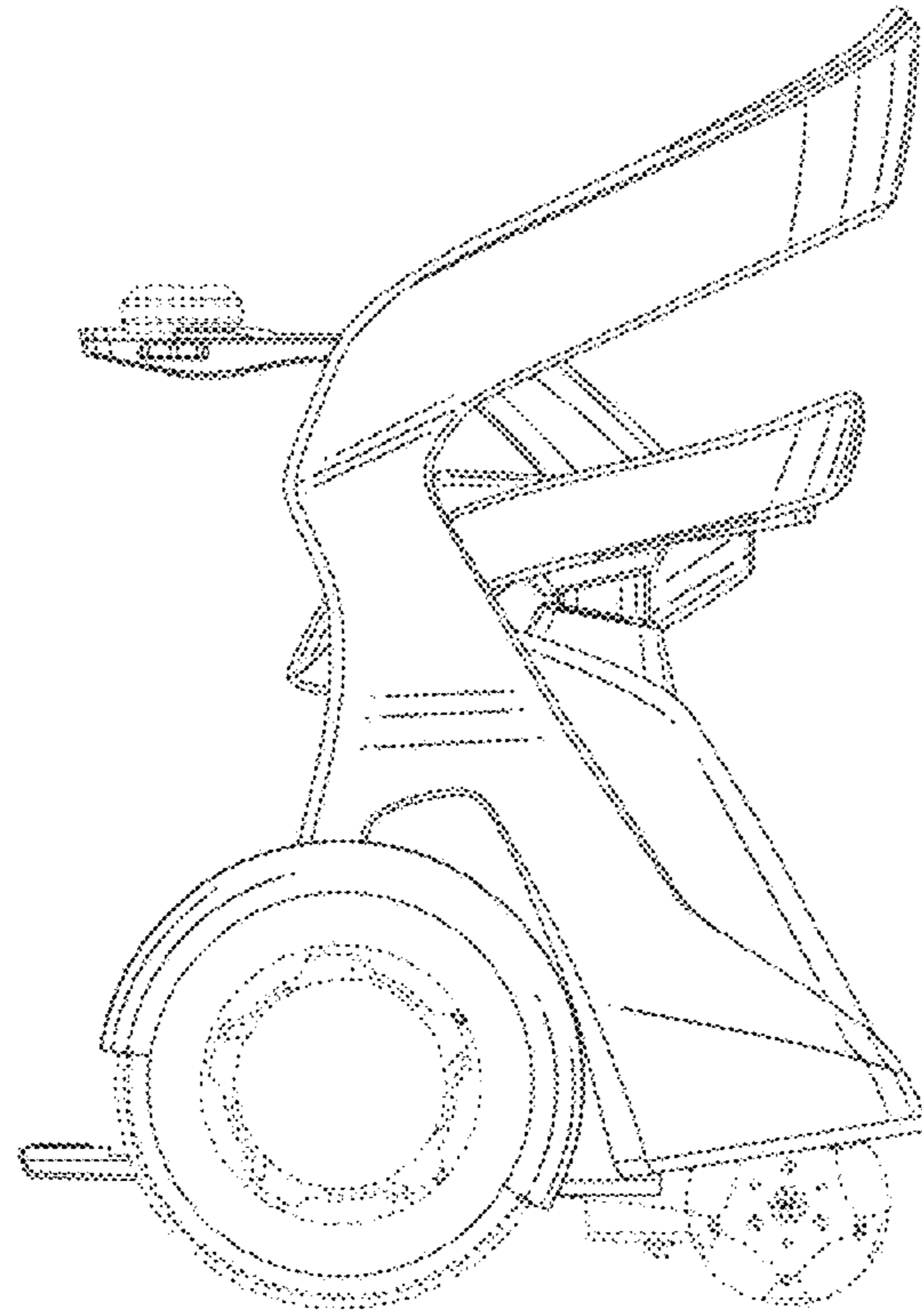


FIG.6

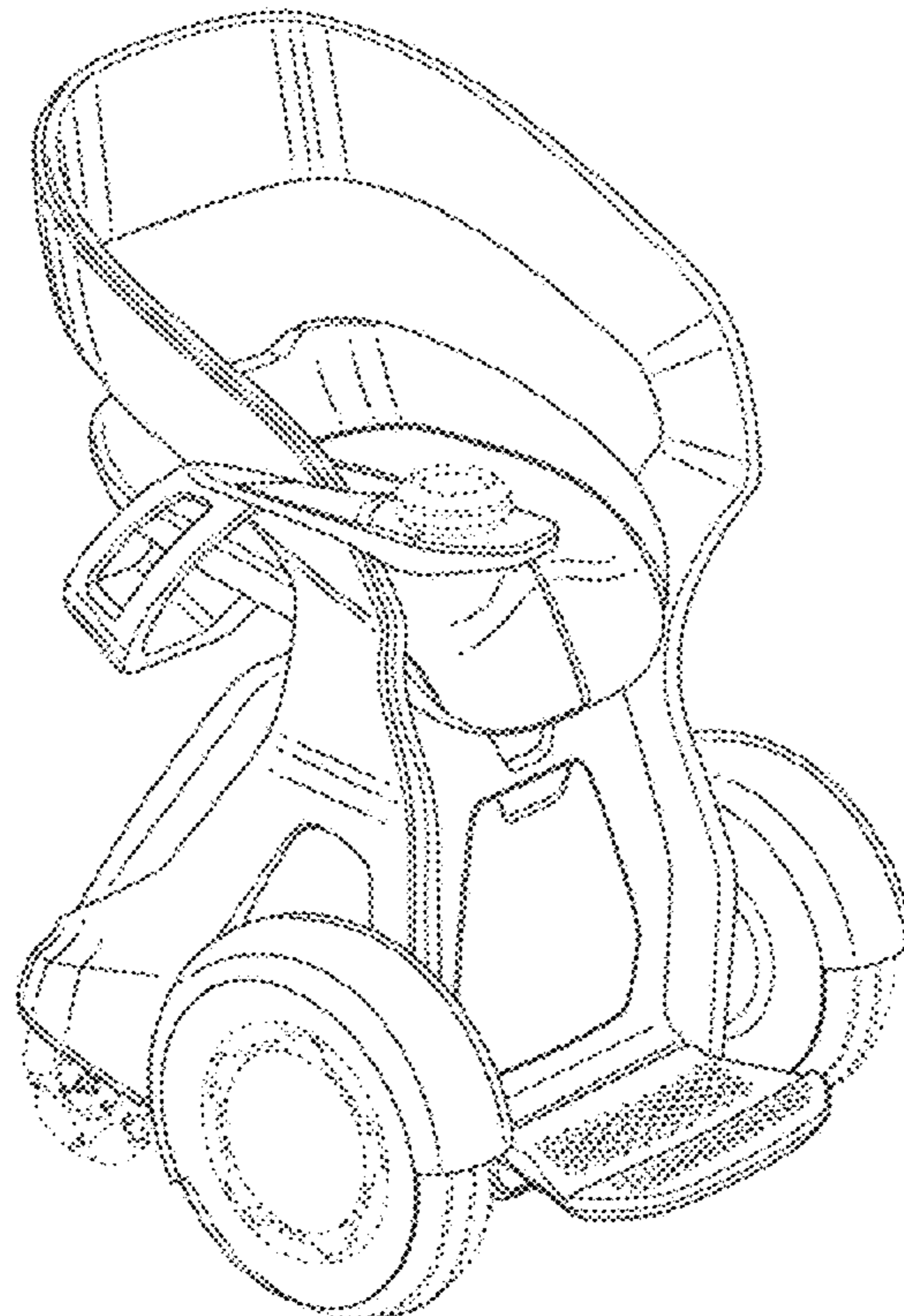


FIG. 7

