



US00D874347S

(12) **United States Design Patent**
Faust

(10) **Patent No.:** **US D874,347 S**

(45) **Date of Patent:** **** Feb. 4, 2020**

- (54) **BICYCLE TRAINING HANDLE**
- (71) Applicant: **Thomas Faust**, Pittsburg, TX (US)
- (72) Inventor: **Thomas Faust**, Pittsburg, TX (US)
- (**) Term: **15 Years**
- (21) Appl. No.: **29/644,467**
- (22) Filed: **Apr. 18, 2018**
- (51) **LOC (12) Cl.** **12-11**
- (52) **U.S. Cl.**
USPC **D12/114**
- (58) **Field of Classification Search**
USPC D12/114, 111, 112, 115, 119
CPC B62H 7/00; B62J 1/16; B62J 7/04; B62J
9/001
See application file for complete search history.

5,683,093 A	11/1997	Hayes	
5,791,675 A	8/1998	Fleischer	
D406,082 S *	2/1999	Albergo	D12/114
D422,947 S	4/2000	Brathwaite	
6,244,612 B1 *	6/2001	Henderson	B62H 7/00 280/293
6,286,850 B1	9/2001	Conway	
6,349,958 B1 *	2/2002	Gawlik	B62H 7/00 16/110.1
D462,302 S *	9/2002	Francis	D12/114
6,474,670 B2	11/2002	Shaw	
6,688,630 B1	2/2004	Kayne	
7,540,519 B1	1/2009	Coyle	
D722,540 S *	2/2015	Brunner	D12/114
D777,610 S *	1/2017	Wilson	D12/114
2003/0168829 A1 *	9/2003	Merrill	B62H 7/00 280/293
2015/0101149 A1 *	4/2015	Boger	B62H 7/00 16/429
2018/0050748 A1 *	2/2018	Faust	B62H 7/00

* cited by examiner

Primary Examiner — Michelle E. Wilson

Assistant Examiner — Clese Moore, Jr.

(56) **References Cited**

U.S. PATENT DOCUMENTS

D211,922 S *	8/1968	Persons	D12/119
D214,657 S *	7/1969	Kamin et al.	D12/119
4,917,398 A *	4/1990	de Miranda Pinto	B62H 7/00 280/293
5,028,066 A *	7/1991	Garth	B62H 7/00 280/282
5,217,240 A *	6/1993	Gardenhour, Jr.	A63H 33/00 280/282
5,259,638 A *	11/1993	Krauss	B62H 7/00 280/293
5,306,030 A	4/1994	Becka	
5,395,130 A *	3/1995	Rubin	B62H 1/10 267/135
5,407,222 A	4/1995	Harrison	
5,487,554 A	1/1996	May	
D367,832 S *	3/1996	Melita	D12/114
5,577,750 A *	11/1996	Sklar	B62H 7/00 280/288.4
D384,602 S	10/1997	Anderberg	

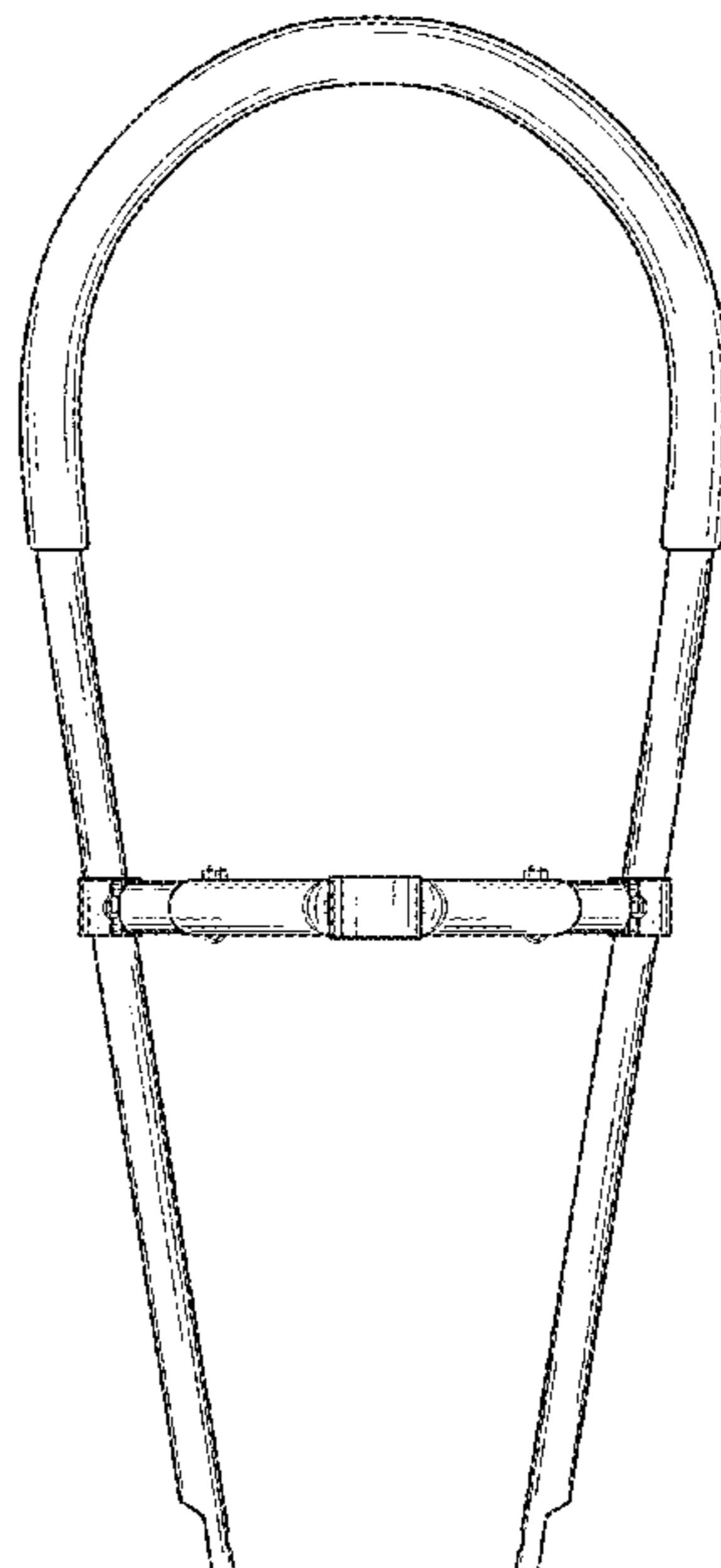
(57) **CLAIM**

The ornamental design for a bicycle training handle, as shown and described.

DESCRIPTION

FIG. 1 is a front view of a bicycle training handle showing my new design;
 FIG. 2 is a rear view of the bicycle training handle;
 FIG. 3 is a right side view of the bicycle training handle;
 FIG. 4 is a left side view of the bicycle training handle;
 FIG. 5 is a top view of the bicycle training handle;
 FIG. 6 is a bottom view of the bicycle training handle; and,
 FIG. 7 is a top front side perspective view of the bicycle training handle.

1 Claim, 6 Drawing Sheets



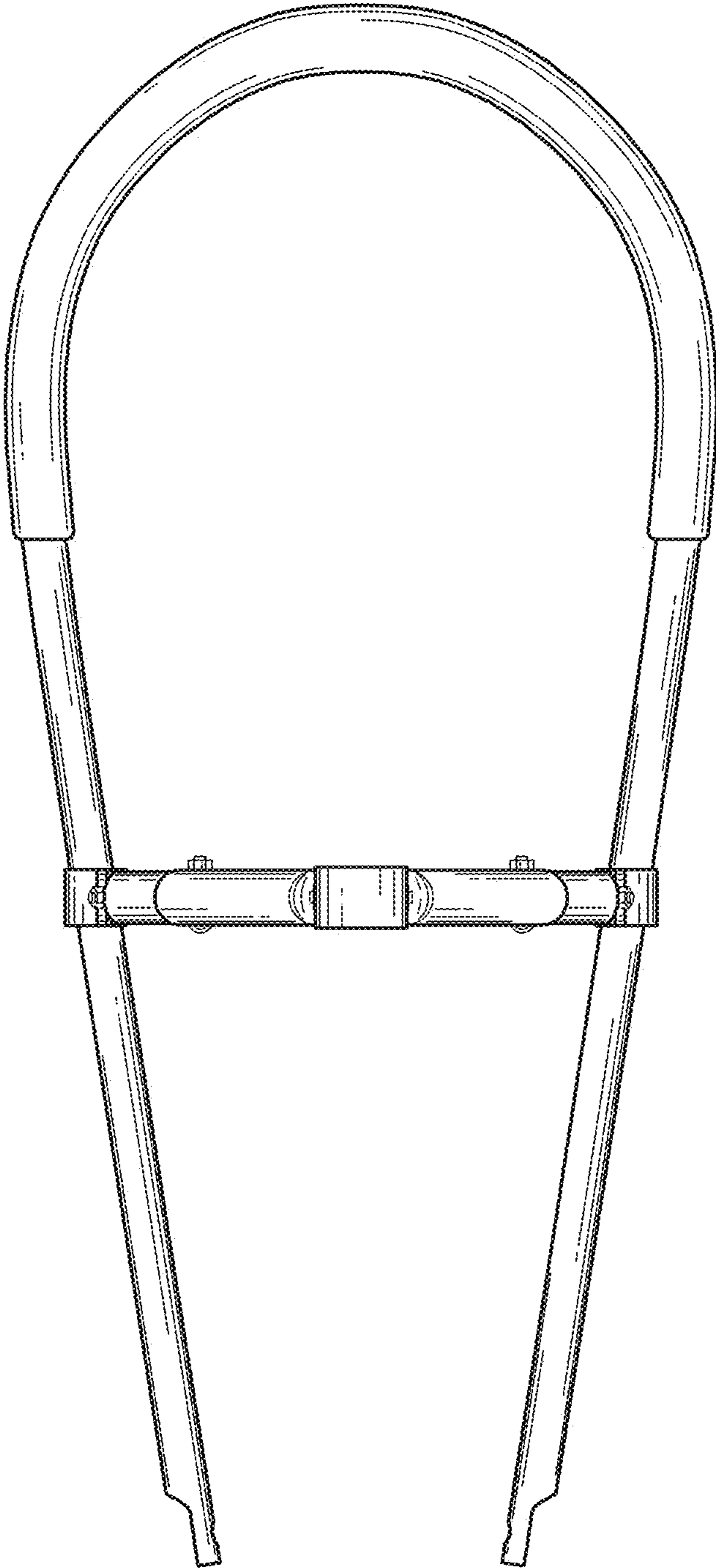


FIG. 1

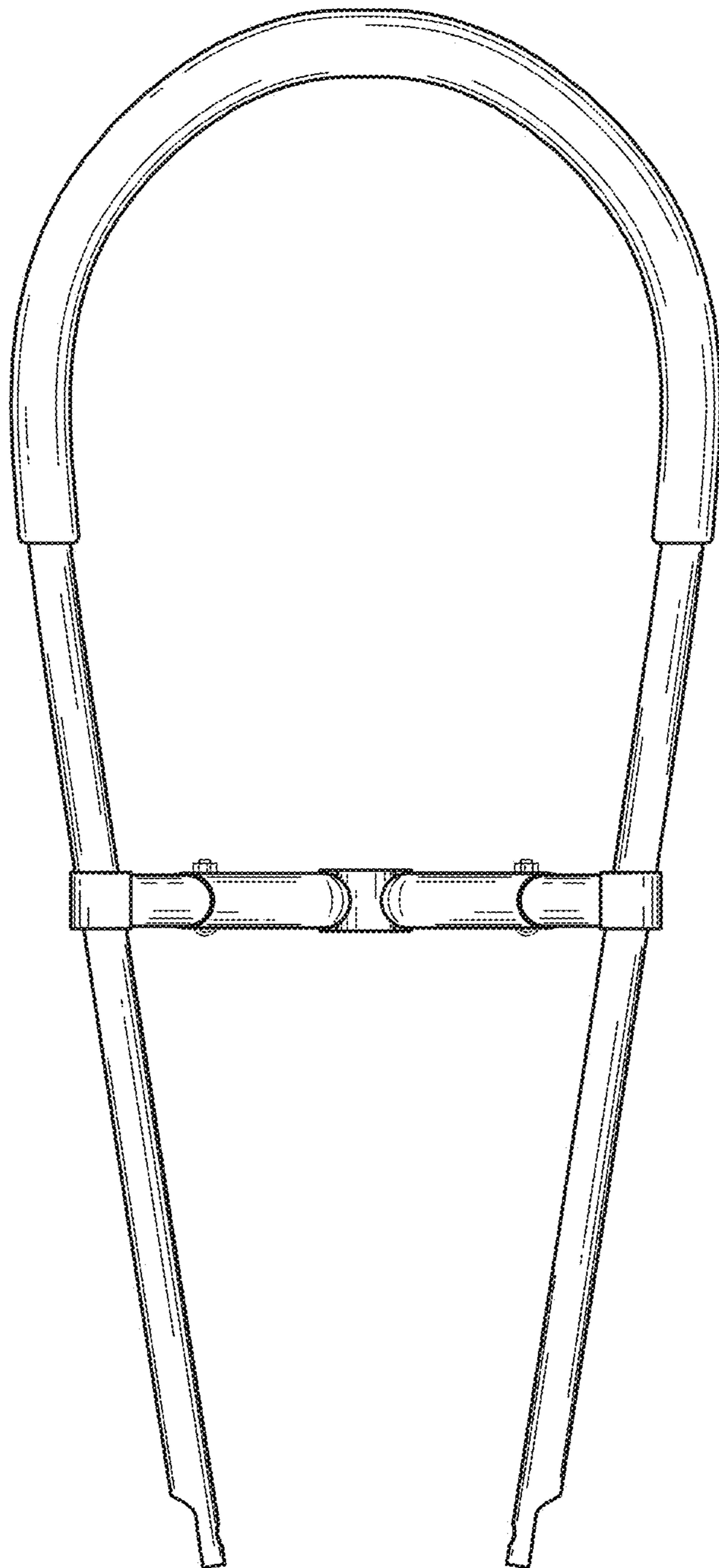


FIG. 2

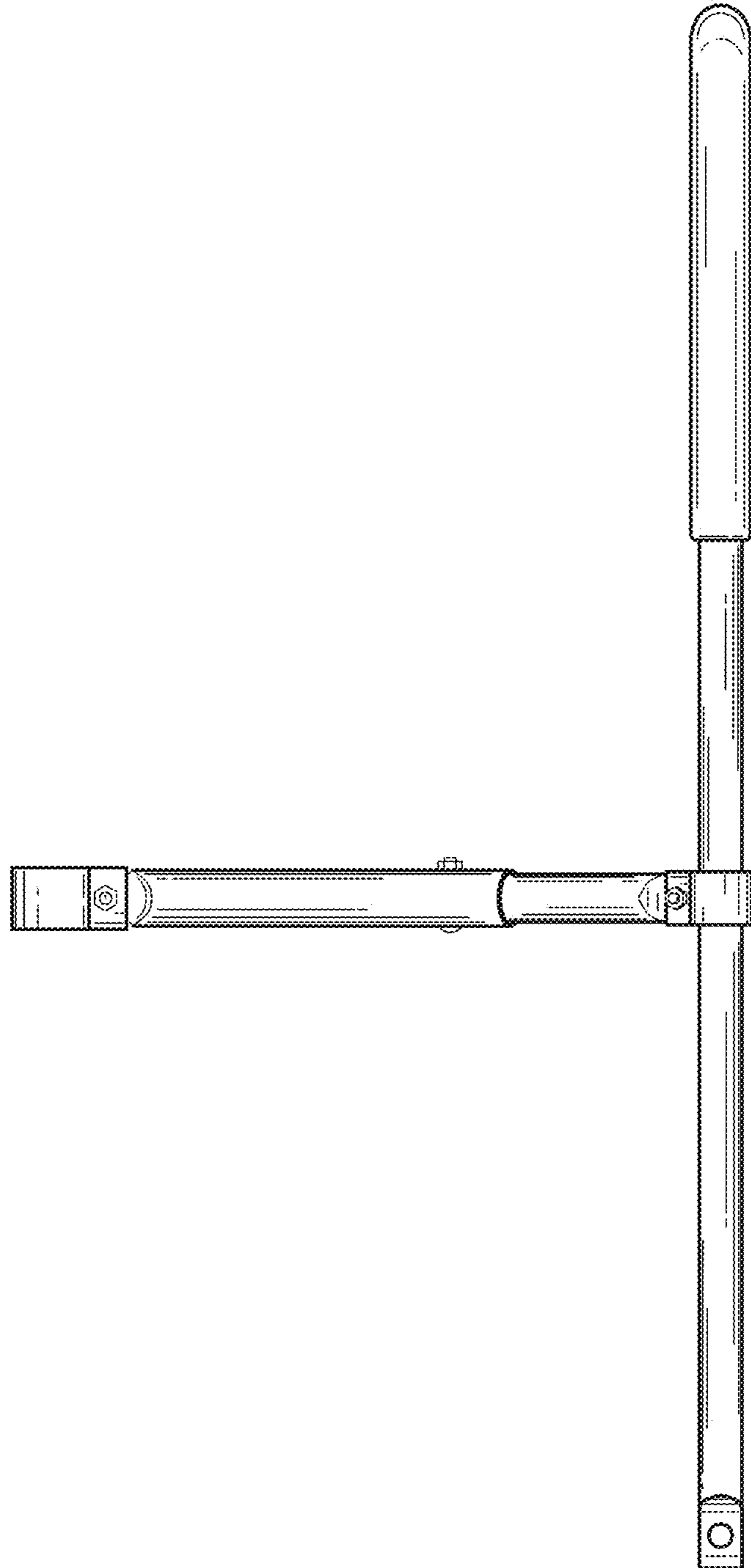


FIG. 3

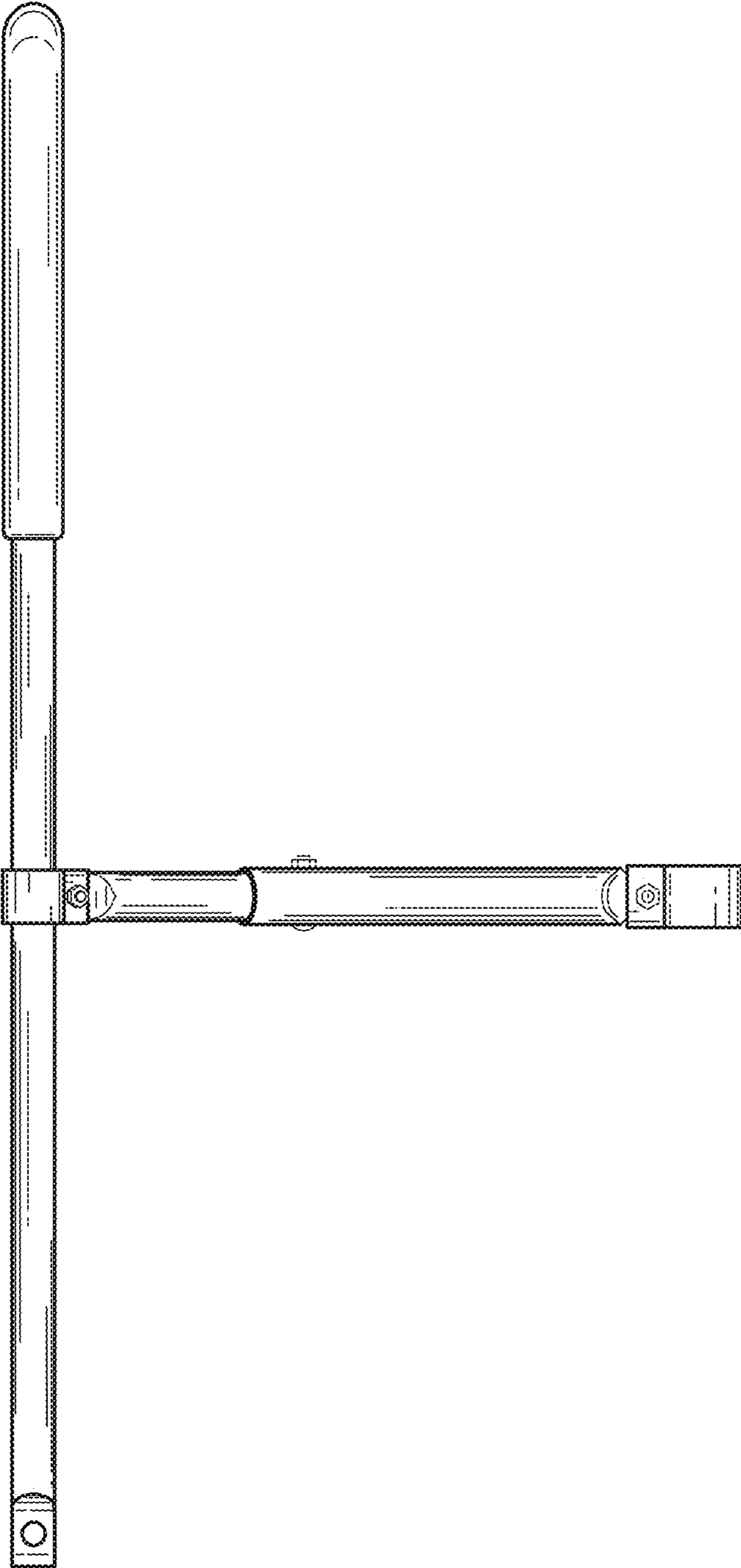


FIG. 4

FIG. 5

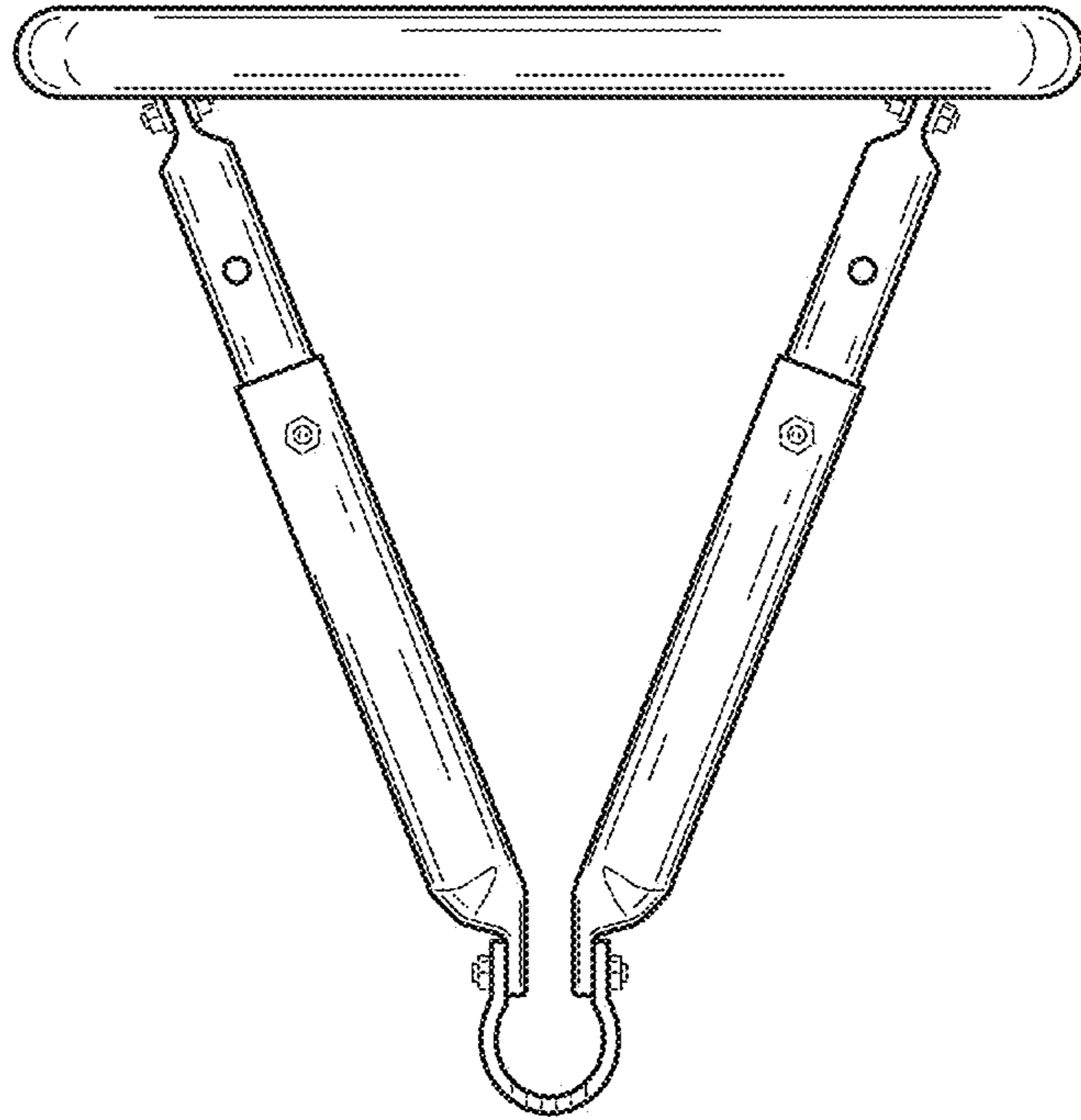
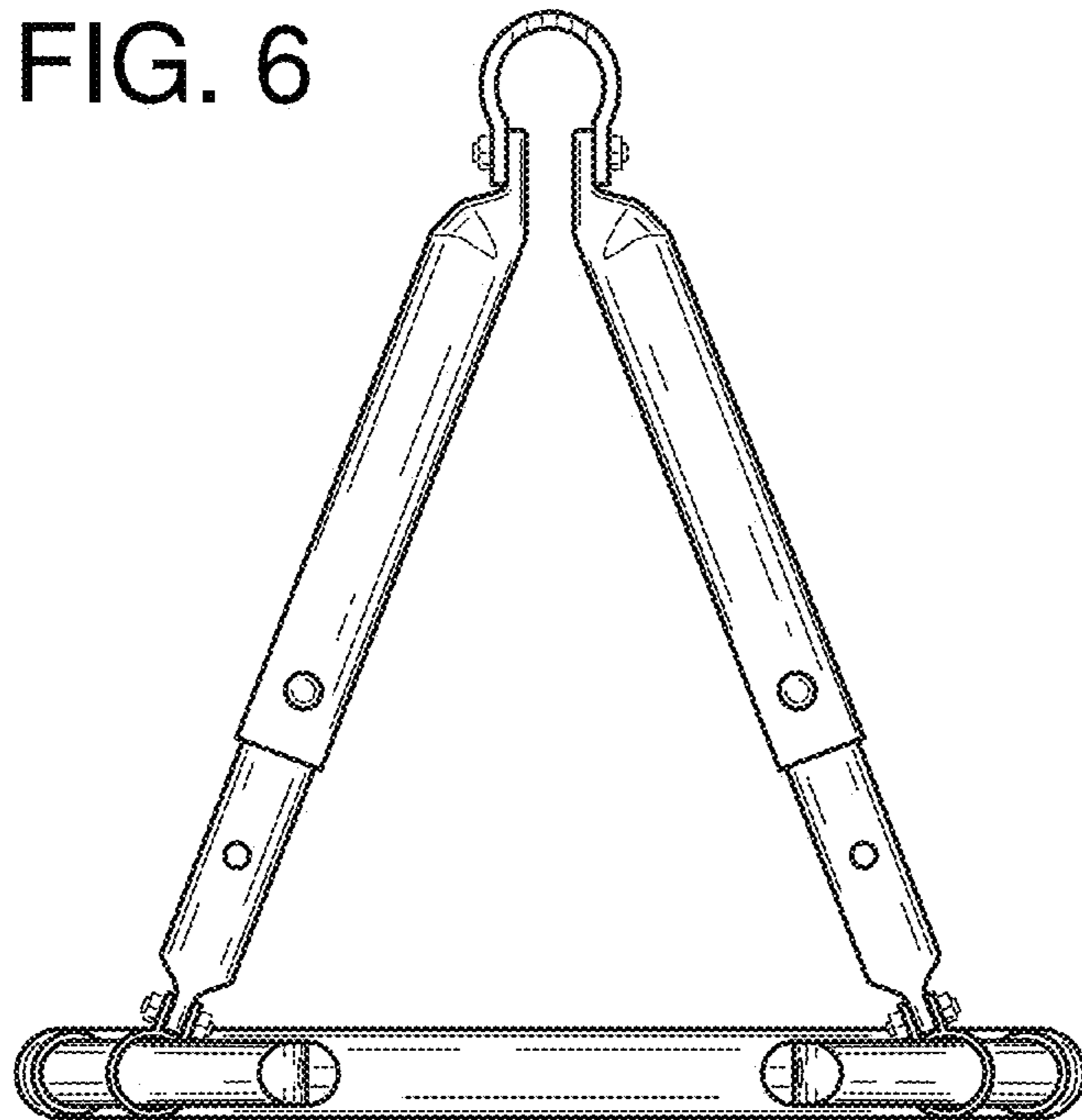


FIG. 6



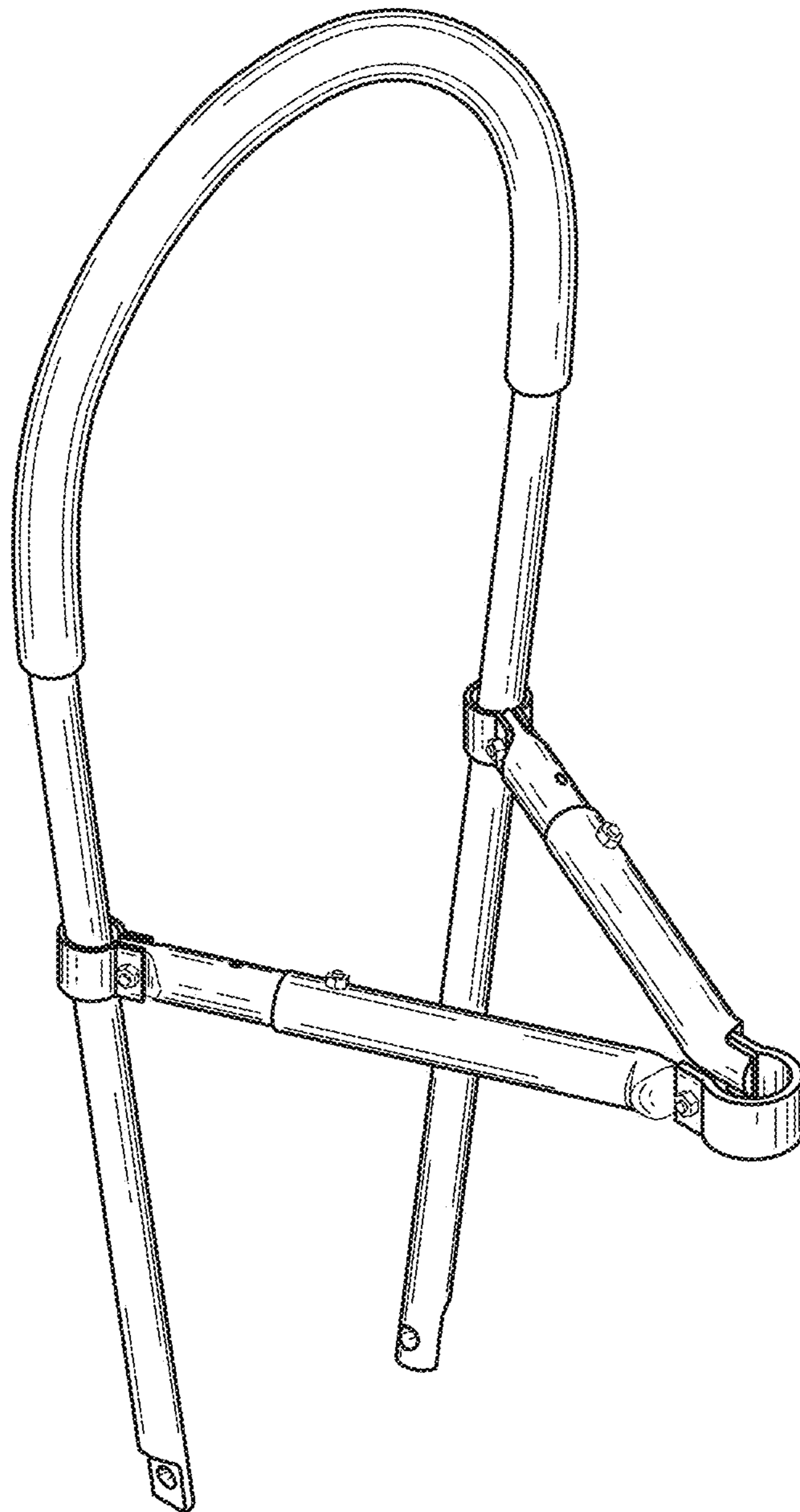


FIG. 7