



US00D874346S

(12) **United States Design Patent**  
**Xiong et al.**

(10) **Patent No.:** **US D874,346 S**

(45) **Date of Patent:** **\*\* Feb. 4, 2020**

- (54) **FOLDING ELECTRIC BICYCLE**
- (71) Applicant: **CHONGQING RAPID BIKE TECHNOLOGY CO., LTD.,**  
Chongqing (CN)
- (72) Inventors: **Ying Xiong, Chongqing (CN); Bin Wang, Chongqing (CN)**
- (73) Assignee: **CHONGQING RAPID BIKE TECHNOLOGY CO., LTD.,**  
Chongqing (CN)
- (\*\*) Term: **15 Years**
- (21) Appl. No.: **29/633,461**
- (22) Filed: **Jan. 14, 2018**
- (30) **Foreign Application Priority Data**  
Oct. 19, 2017 (CN) ..... 2017 3 0499274
- (51) **LOC (12) Cl.** ..... **12-11**
- (52) **U.S. Cl.**  
USPC ..... **D12/111**
- (58) **Field of Classification Search**  
USPC ..... D12/111, 117; D21/412, 414, 419,  
D21/423-428, 431-435  
CPC ..... B62K 3/00; B62K 3/02; B62K 3/06  
See application file for complete search history.

- D654,403 S \* 2/2012 Kyu ..... D12/111
- D668,586 S \* 10/2012 Golias ..... D12/111
- D726,592 S \* 4/2015 Zhang ..... D12/107
- D750,711 S \* 3/2016 Delgatty ..... D21/423
- D777,606 S \* 1/2017 Dai ..... D12/111
- D780,637 S \* 3/2017 Shao ..... D12/111
- D784,206 S \* 4/2017 Zhang ..... D12/111
- D804,364 S \* 12/2017 Xianqiang ..... D12/111
- D807,232 S \* 1/2018 Bailie ..... D12/111
- D807,233 S \* 1/2018 Zhang ..... D12/111
- D809,434 S \* 2/2018 Le ..... D12/111
- D814,361 S \* 4/2018 Shi ..... D12/111
- D826,788 S \* 8/2018 Hu ..... D12/111
- D829,133 S \* 9/2018 Rahmatulloev ..... D12/111
- D832,150 S \* 10/2018 Etzelsberger ..... D12/111

(Continued)

*Primary Examiner* — Darlington Ly  
(74) *Attorney, Agent, or Firm* — Cheng-Ju Chiang

(57) **CLAIM**

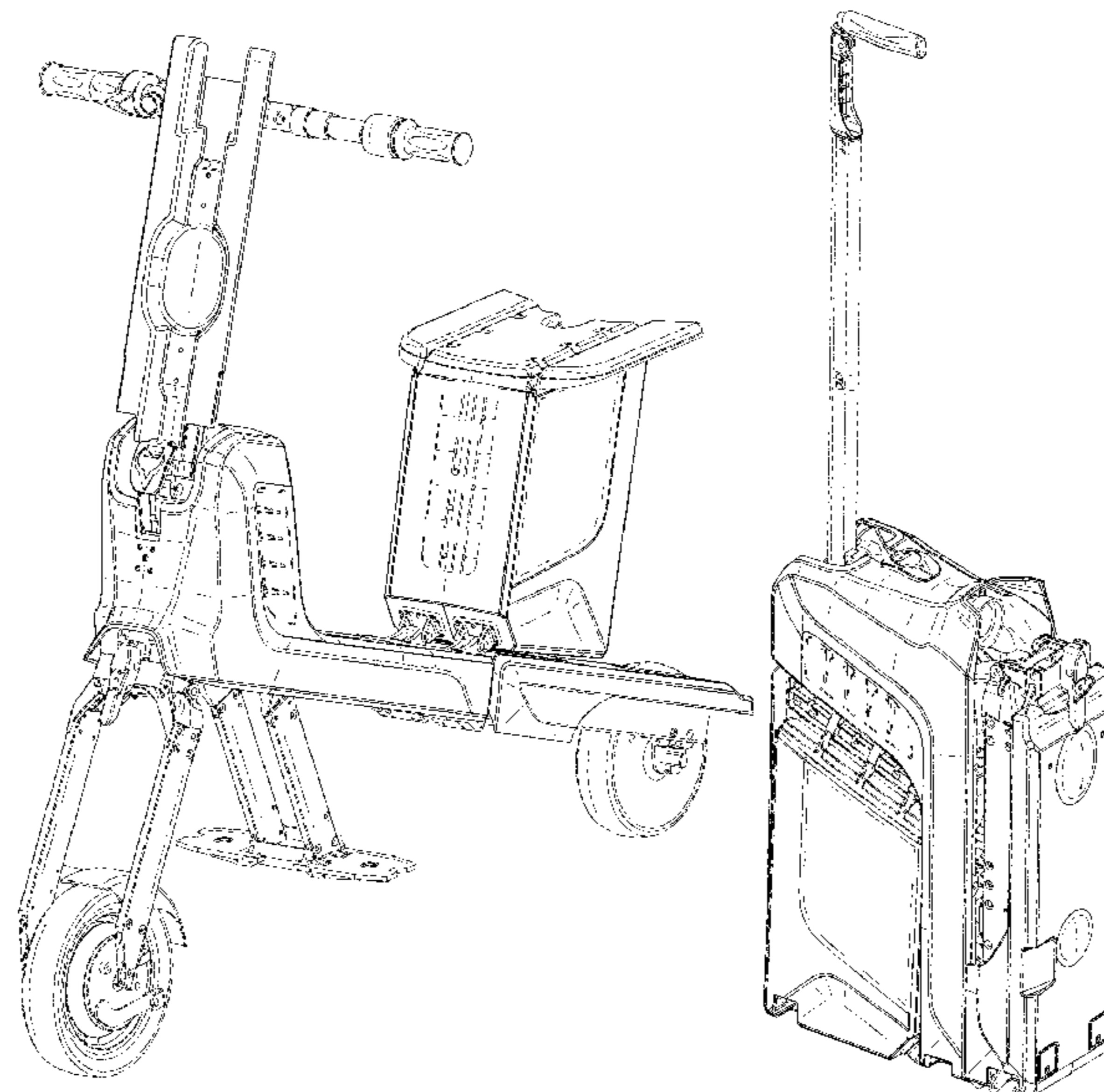
The ornamental design for a folding electric bicycle, as shown and described.

**DESCRIPTION**

FIG. 1 is a perspective view of a folding electric bicycle showing our new design;  
 FIG. 2 is a front elevational view thereof;  
 FIG. 3 is a back elevational view thereof;  
 FIG. 4 is a left side elevational view thereof;  
 FIG. 5 is a right side elevational view thereof;  
 FIG. 6 is a top plan view thereof;  
 FIG. 7 is a bottom plan view thereof;  
 FIG. 8 is a front and right side perspective view thereof when in a closed configuration; and,  
 FIG. 9 is a rear and left side perspective view thereof when in another closed configuration.  
 The broken lines in the drawings illustrate portions of the folding electric bicycle that form no part of the claimed design.

**1 Claim, 9 Drawing Sheets**

- (56) **References Cited**  
U.S. PATENT DOCUMENTS  
D466,839 S \* 12/2002 Ou ..... D12/110  
6,588,787 B2 \* 7/2003 Ou ..... B62K 11/10  
180/220  
D488,406 S \* 4/2004 Sramek ..... D12/111  
D497,122 S \* 10/2004 Uenaka ..... D12/111  
D503,362 S \* 3/2005 Zhu ..... D12/111  
D512,346 S \* 12/2005 Sinclair ..... D12/111  
D586,265 S \* 2/2009 Lin ..... D12/111



(56)

**References Cited**

U.S. PATENT DOCUMENTS

D843,269 S \* 3/2019 Shi ..... D12/111  
2015/0060176 A1\* 3/2015 Paick ..... B62M 6/60  
180/208

\* cited by examiner

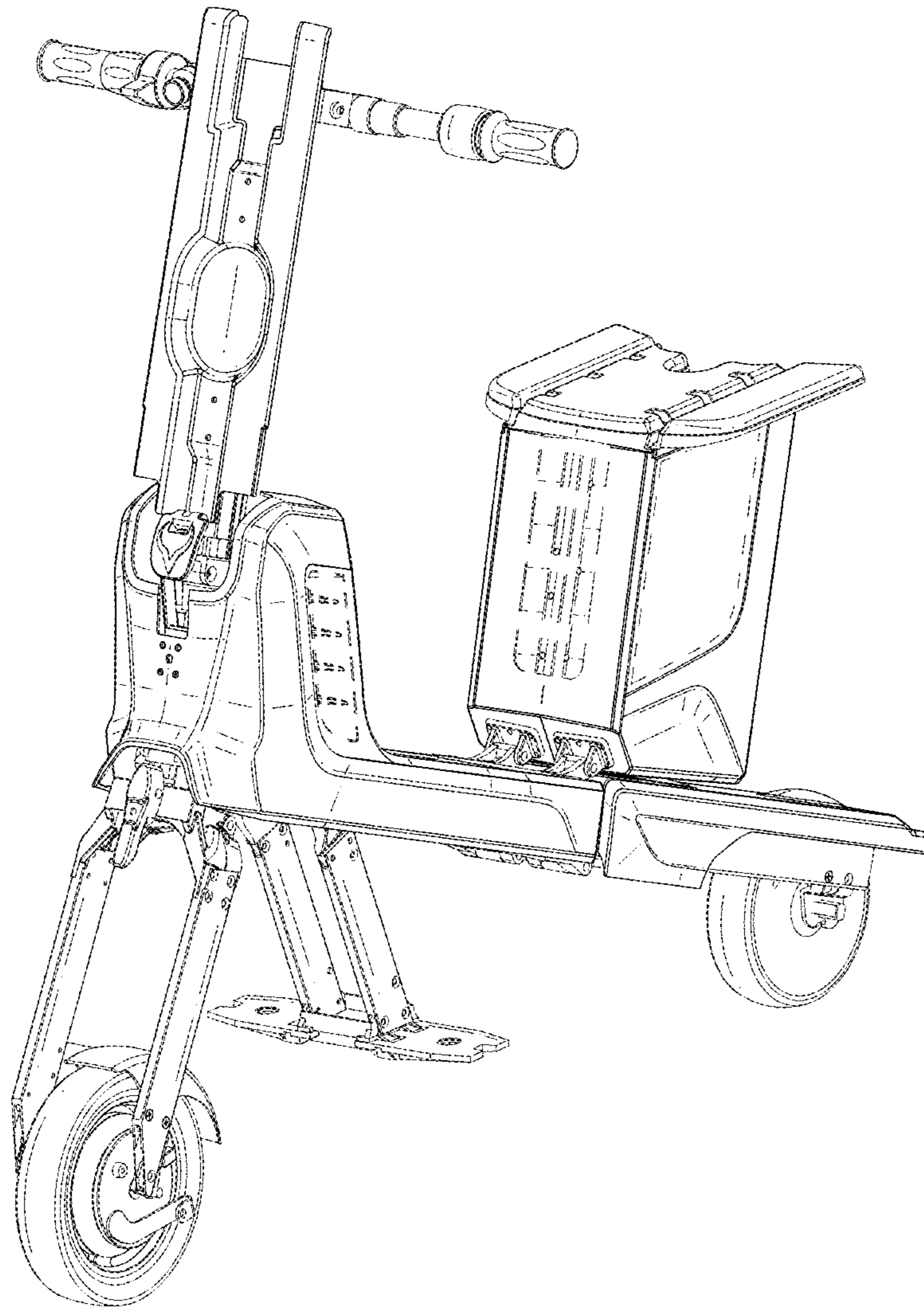


FIG. 1

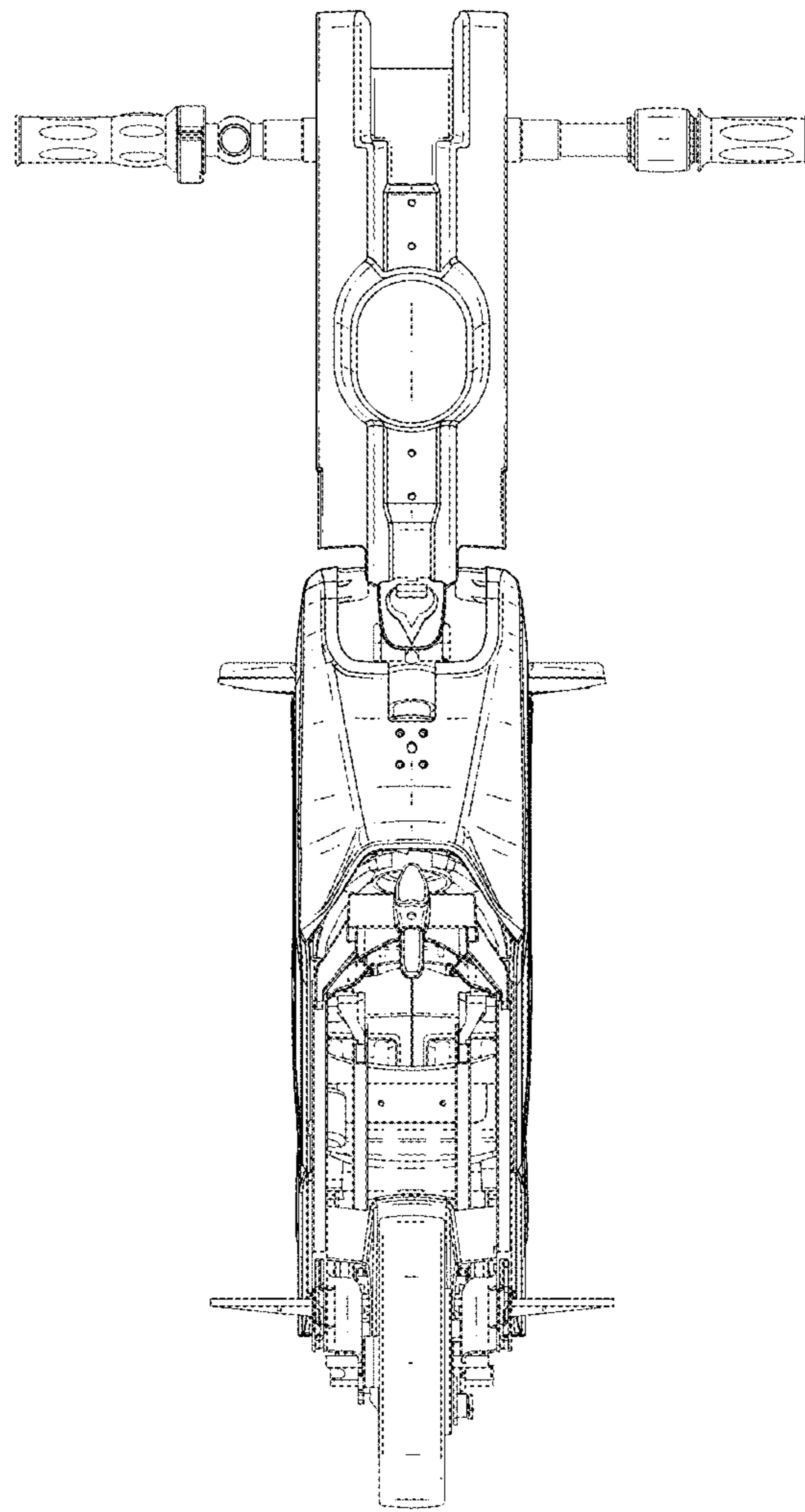


FIG. 2

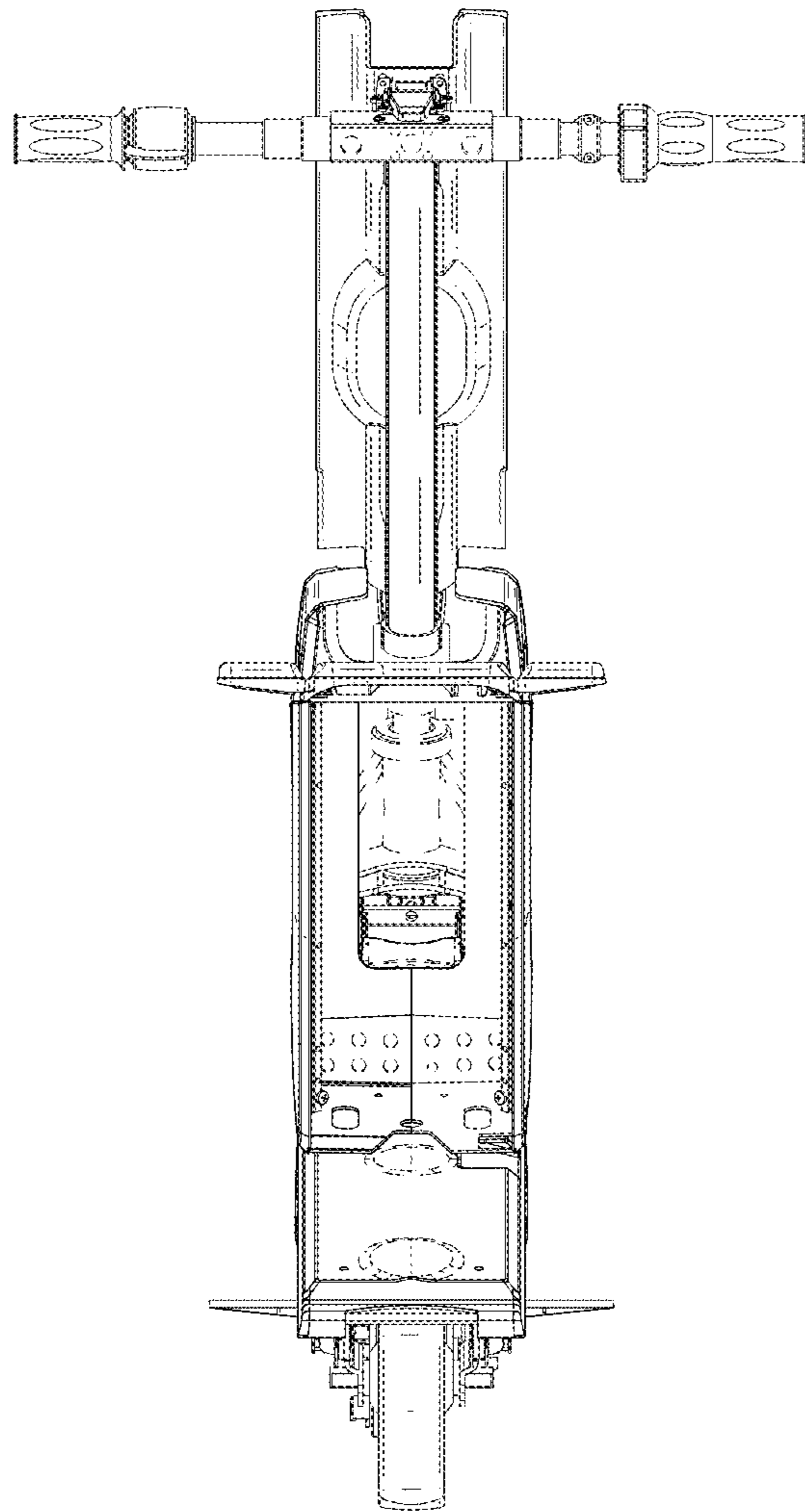


FIG. 3

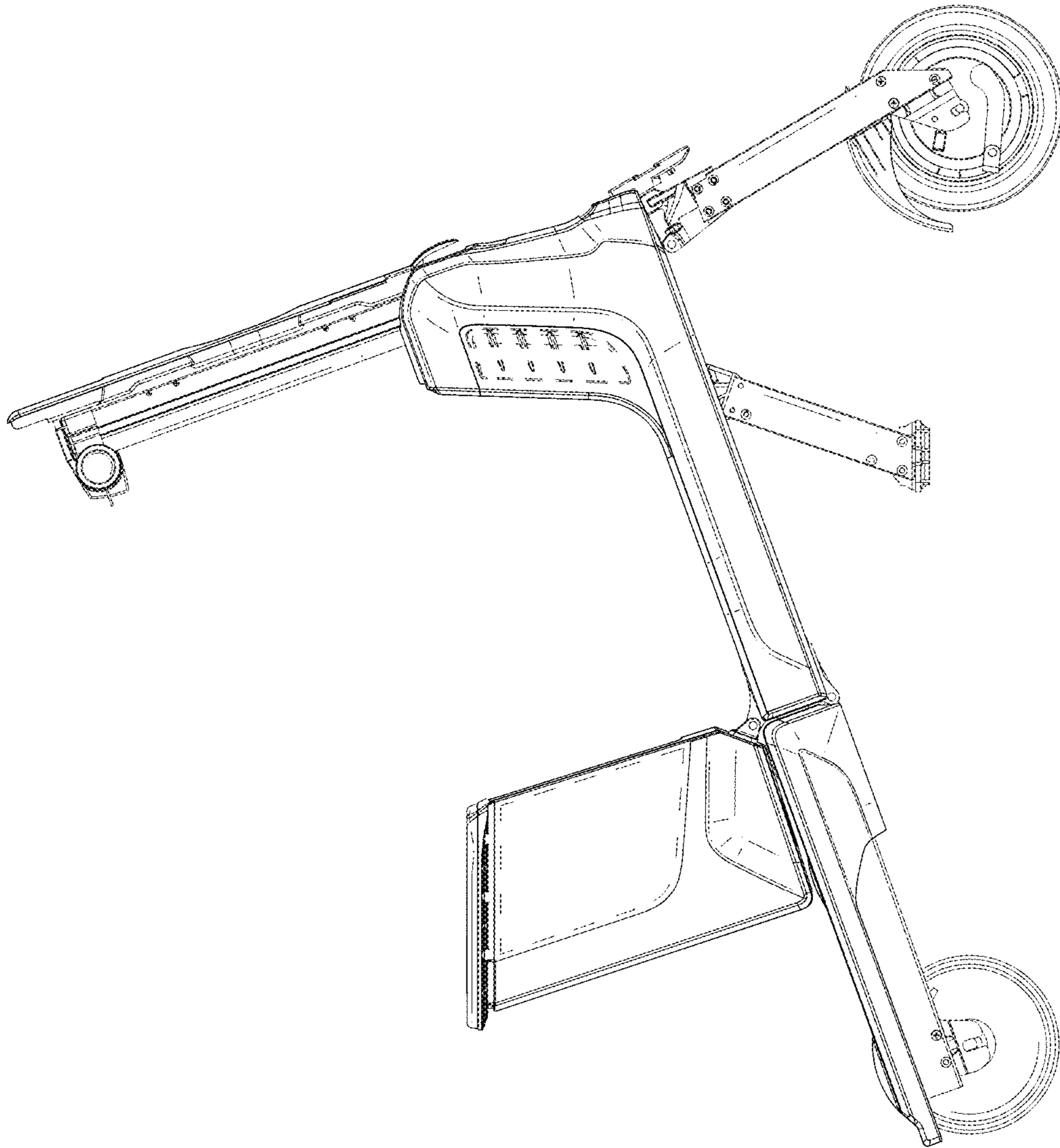


FIG. 4

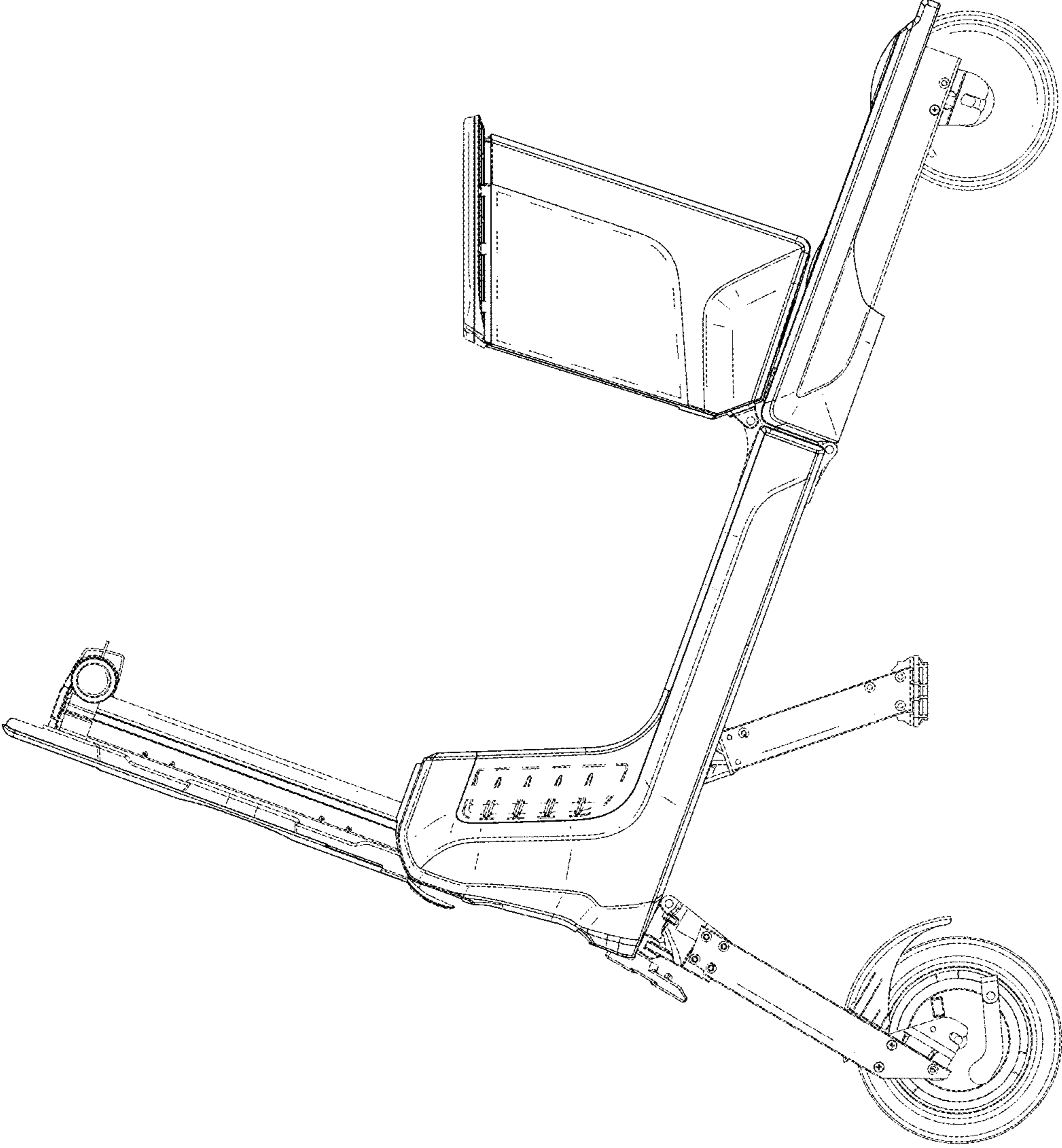


FIG. 5

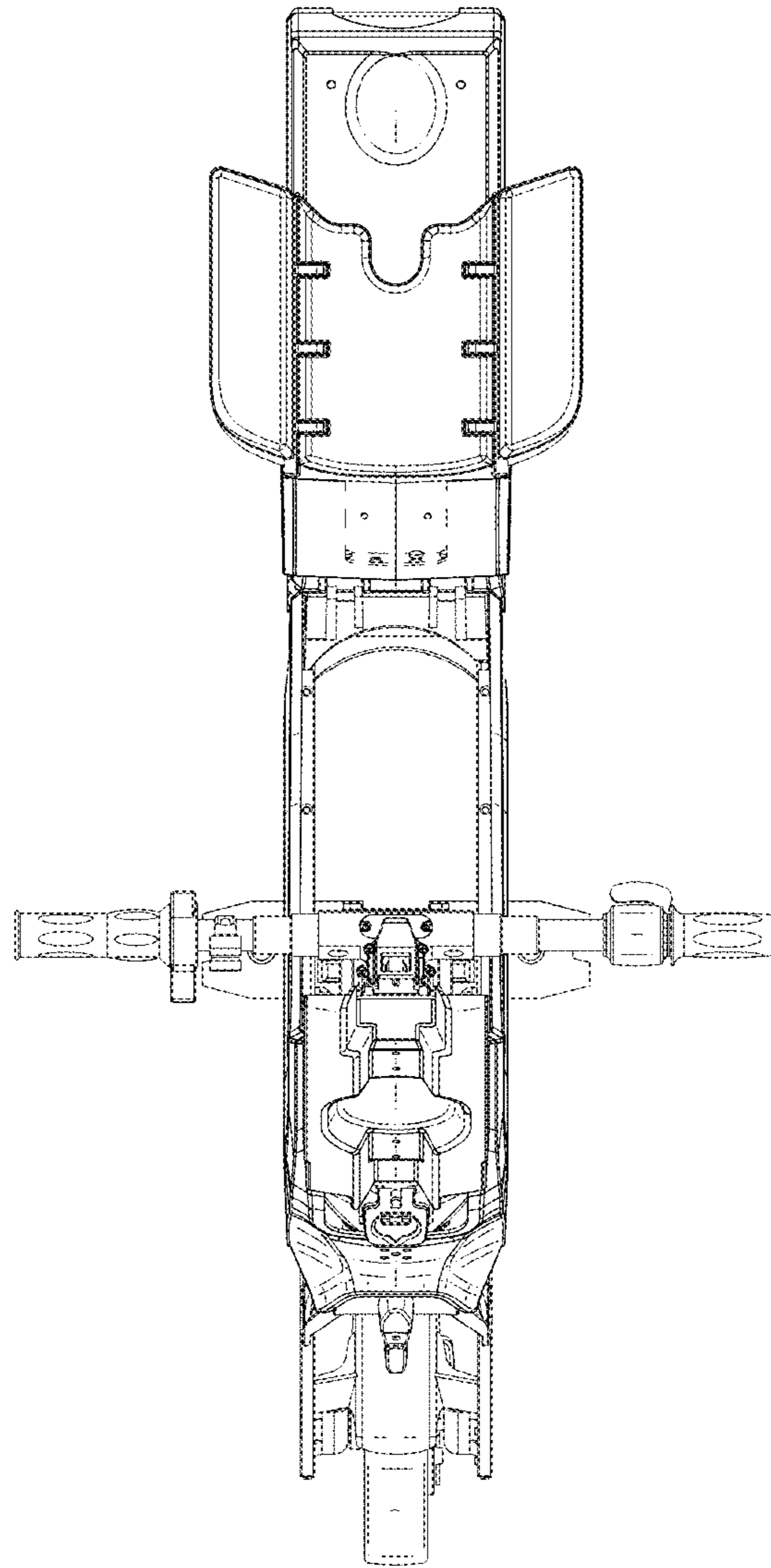


FIG. 6



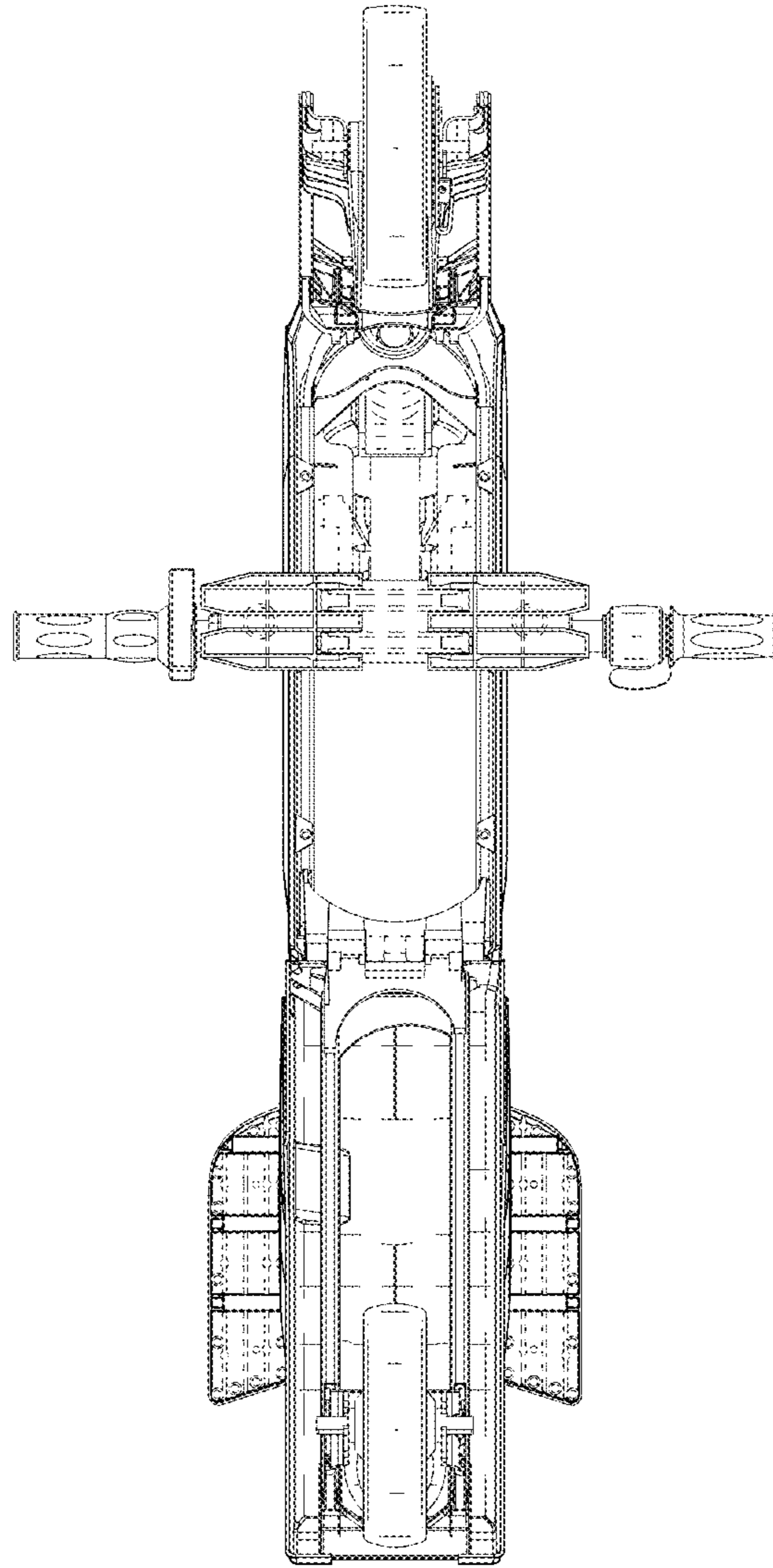


FIG. 7

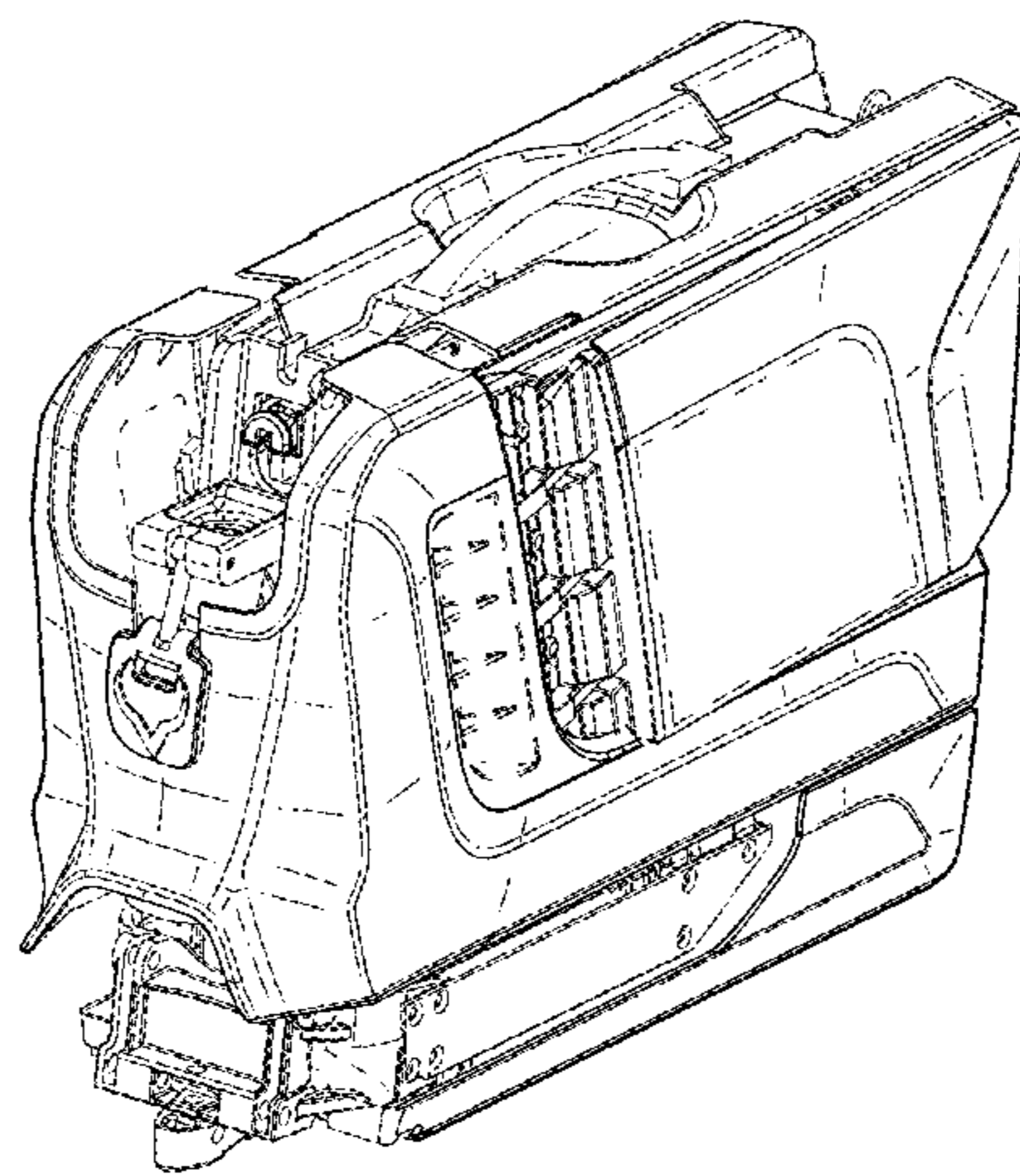


FIG. 8

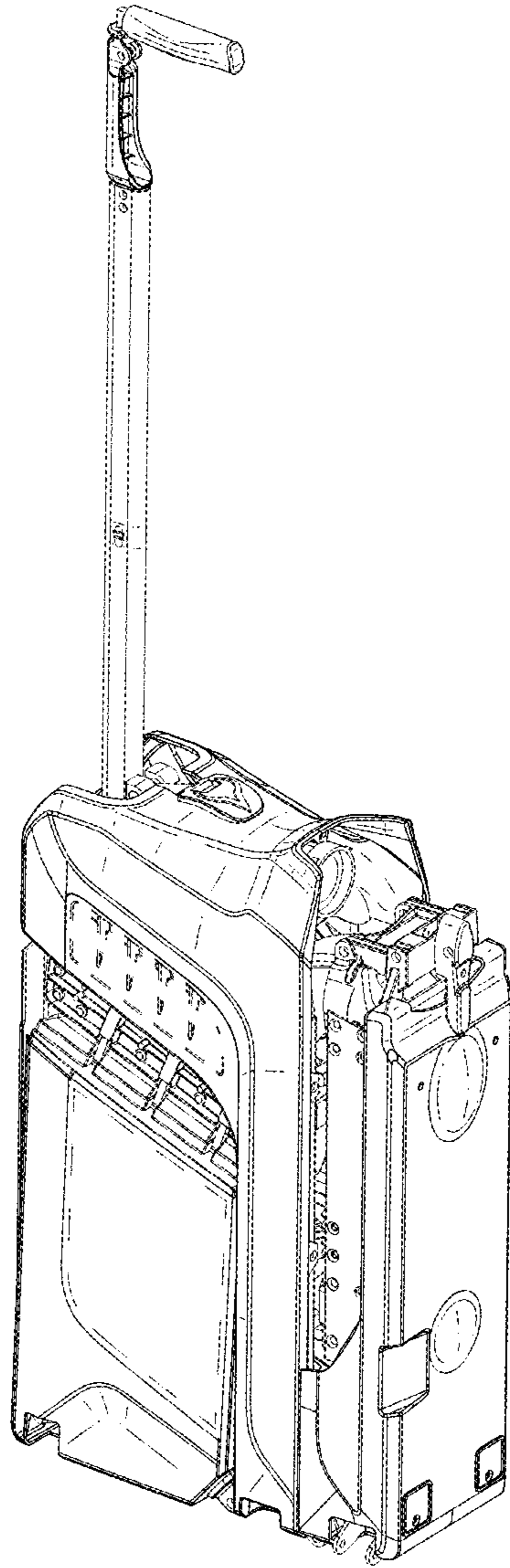


FIG. 9