



US00D874345S

(12) **United States Design Patent** (10) **Patent No.:** **US D874,345 S**  
**Biron, Jr.** (45) **Date of Patent:** **\*\* Feb. 4, 2020**

(54) **TRAILER ENCLOSURE**  
(71) Applicant: **Joseph Leodore Biron, Jr.**, Rock Hill, SC (US)  
(72) Inventor: **Joseph Leodore Biron, Jr.**, Rock Hill, SC (US)

D633,010 S \* 2/2011 Hixson ..... G07F 9/10 D12/102  
D653,588 S \* 2/2012 Heard ..... D12/102  
D653,589 S \* 2/2012 Hixson ..... D12/102  
D663,654 S \* 7/2012 Wanger ..... D12/102  
D733,006 S \* 6/2015 Spaeth ..... D12/102  
D769,457 S \* 10/2016 Cabili ..... D12/102  
D817,940 S \* 5/2018 Baker ..... D14/242

(\*\*) Term: **15 Years**

\* cited by examiner

(21) Appl. No.: **29/635,773**

*Primary Examiner* — Katrina A Betton

(22) Filed: **Feb. 2, 2018**

(74) *Attorney, Agent, or Firm* — Dunlap, Bennett & Ludwig PLLC; Brendan E. Squire

(51) **LOC (12) Cl.** ..... **12-16**

(57) **CLAIM**

(52) **U.S. Cl.**  
USPC ..... **D12/102**

The ornamental design for a trailer enclosure, as shown and described.

(58) **Field of Classification Search**  
USPC ..... D12/19, 129, 100–106, 111–112;  
D21/425, 435; D34/21–26, 12, 16–19  
CPC .. B62D 35/00; B62D 33/077; B62D 33/0612;  
B62D 24/04; B60P 3/10; B60P 3/1033;  
B60P 3/0257; B60P 3/38; B60P 3/34;  
E01F 15/14

**DESCRIPTION**

See application file for complete search history.

FIG. 1 is a perspective view of the trailer enclosure showing my new design;  
FIG. 2 is a left side elevation view thereof;  
FIG. 3 is a front elevation view thereof;  
FIG. 4 is a right side elevation view thereof;  
FIG. 5 is a bottom plan view thereof;  
FIG. 6 is a top plan view thereof;  
FIG. 7 is a rear elevation view thereof; and,  
FIG. 8 is a perspective view thereof, showing the design in use.

The broken lines in the drawings illustrate environment and forms no part of the claim.

(56) **References Cited**

U.S. PATENT DOCUMENTS

D510,545 S \* 10/2005 Riegel ..... D12/102  
D542,184 S \* 5/2007 Van Buuren ..... D12/102  
D544,407 S \* 6/2007 Heard ..... D12/102  
D546,245 S \* 7/2007 Heard ..... D12/102  
D556,091 S \* 11/2007 Racich ..... D12/102  
D594,385 S \* 6/2009 Cadotte ..... D12/102

**1 Claim, 4 Drawing Sheets**

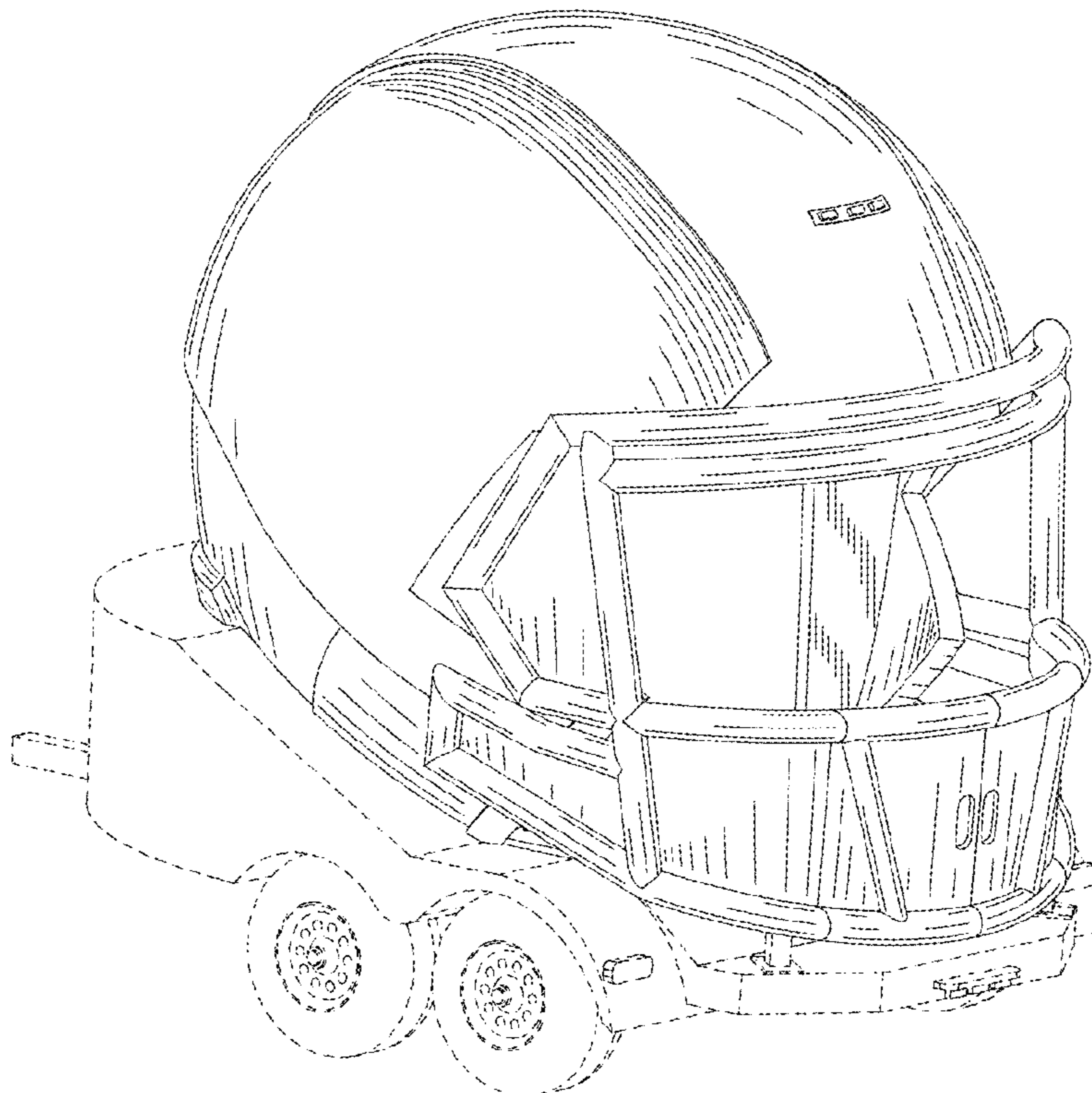


FIG. 1

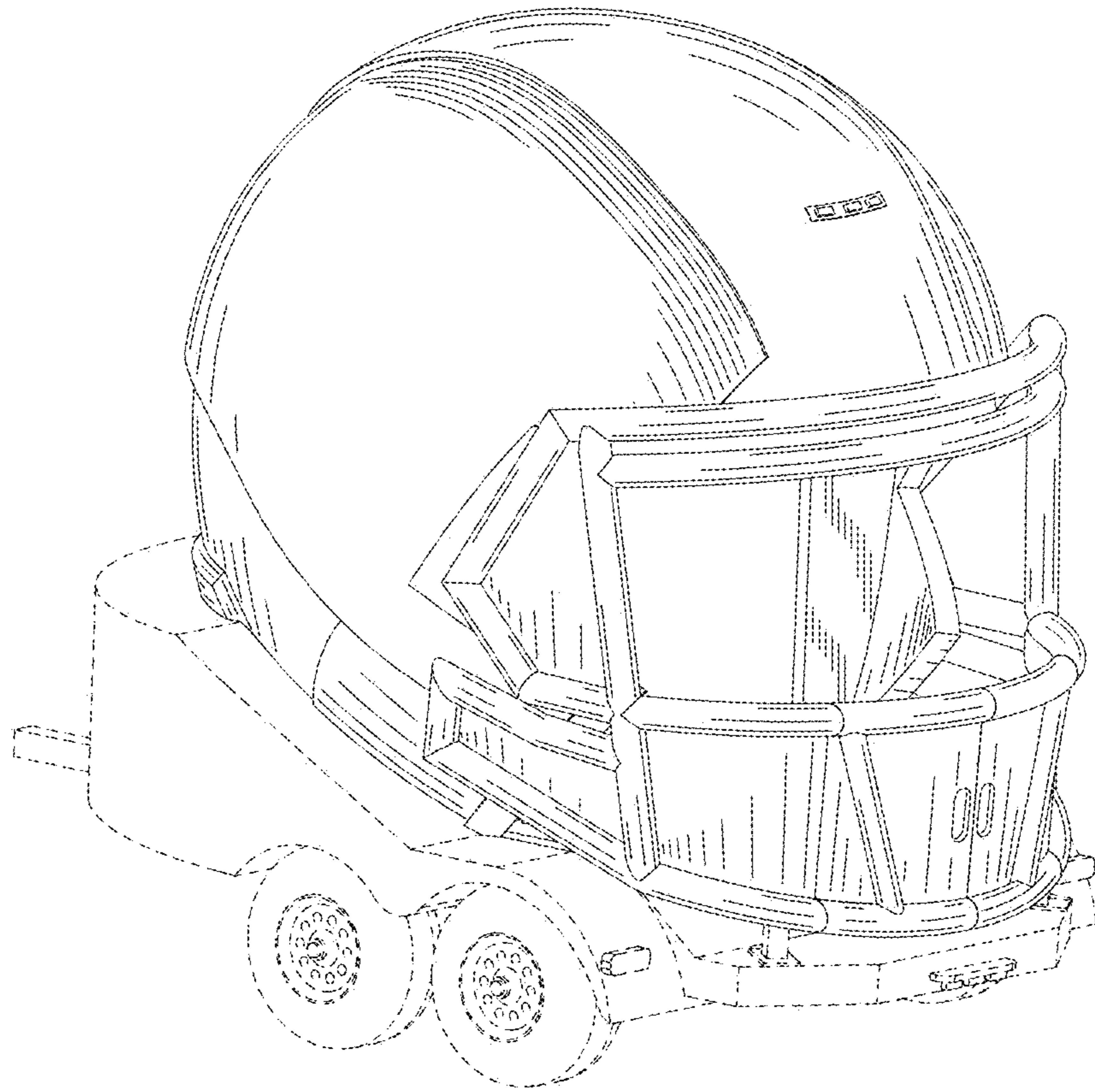
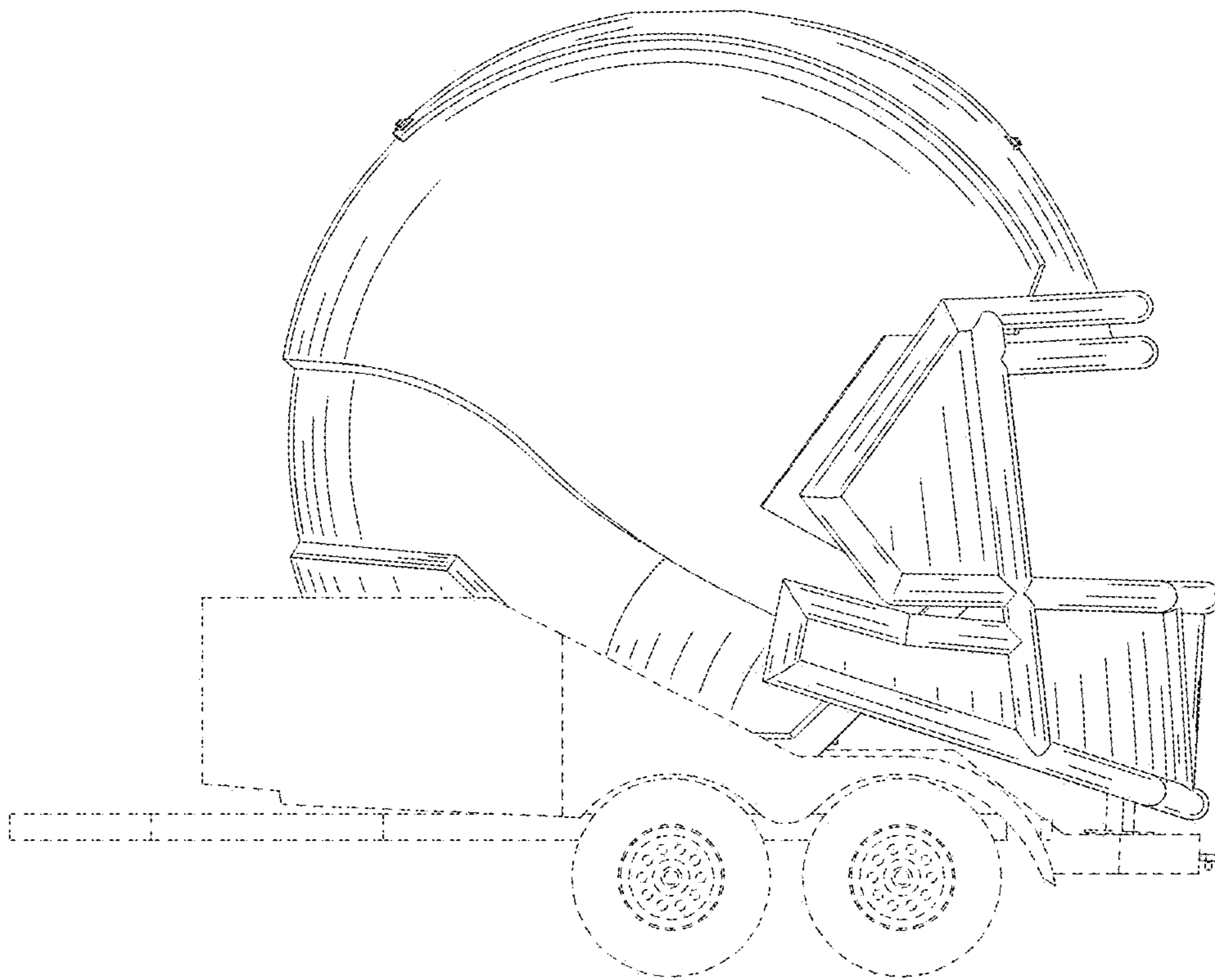
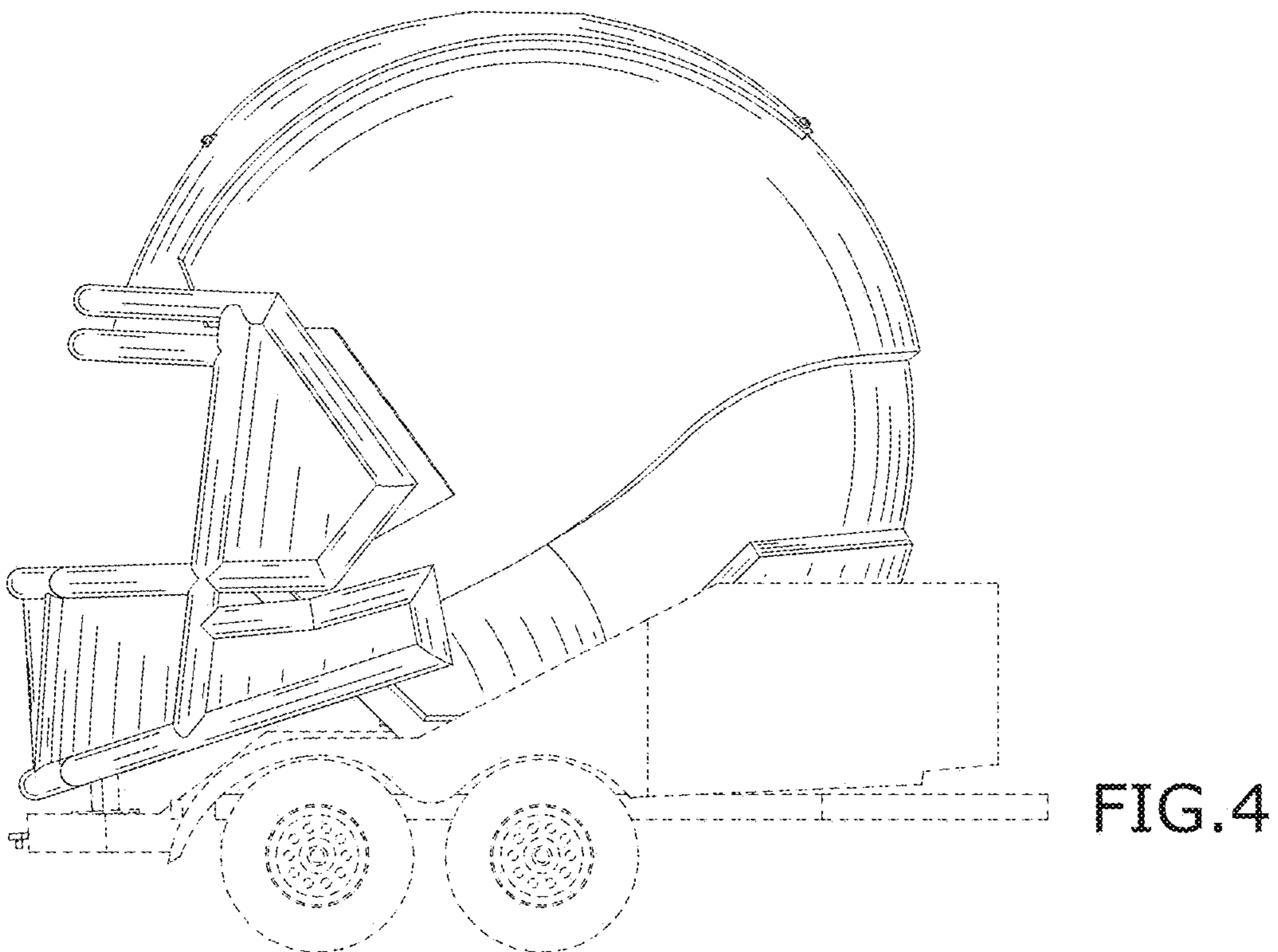
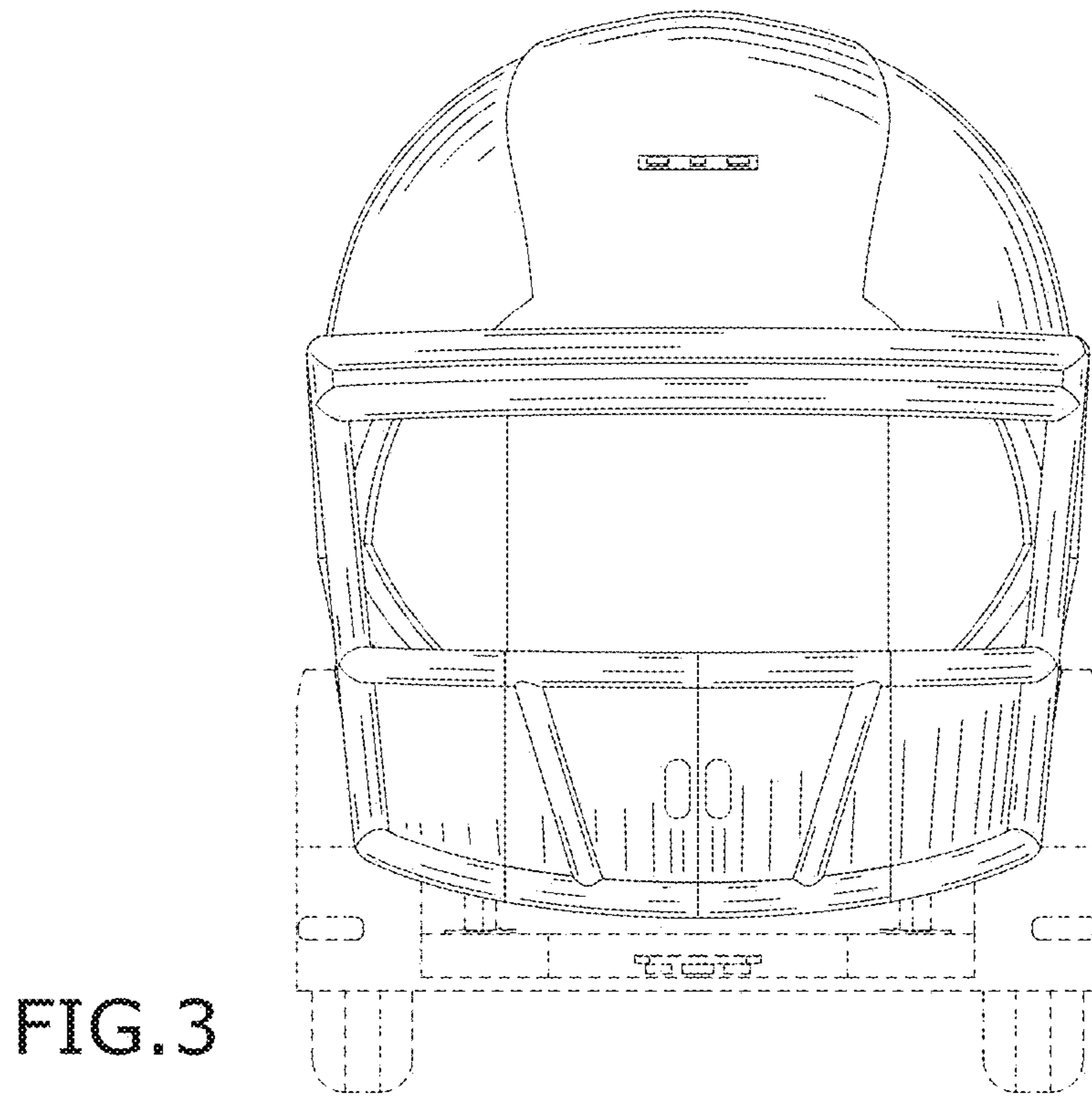
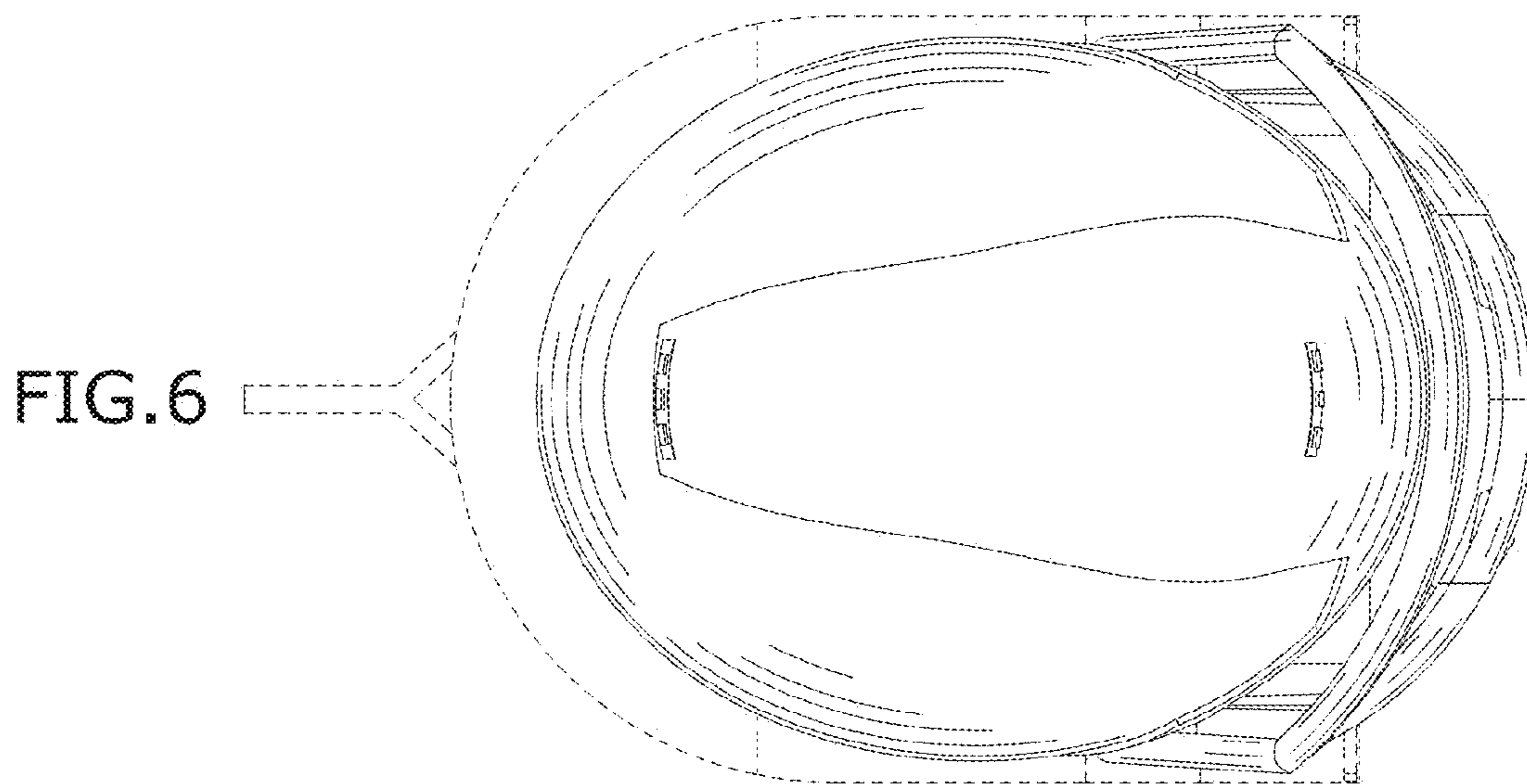
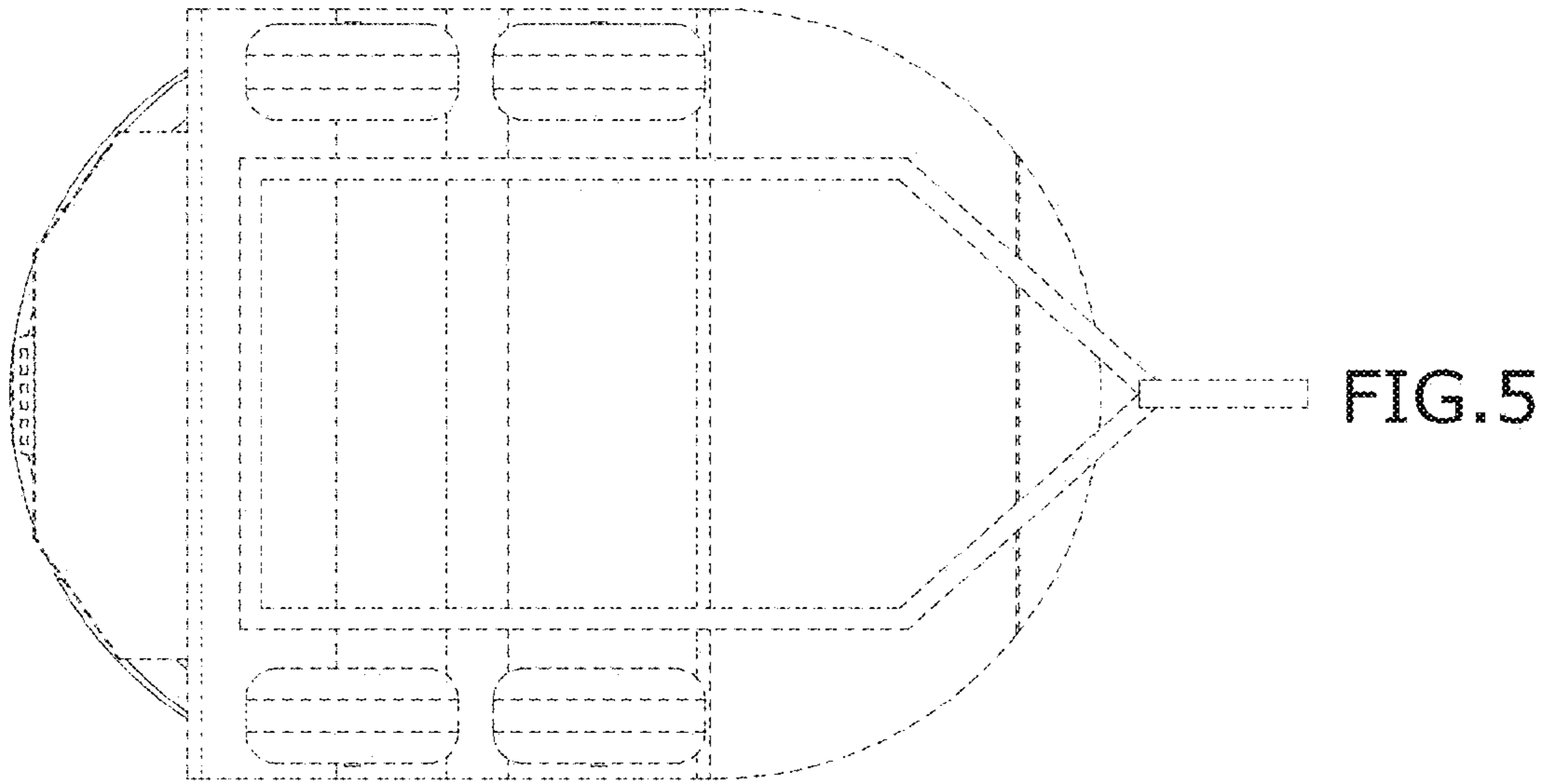


FIG. 2







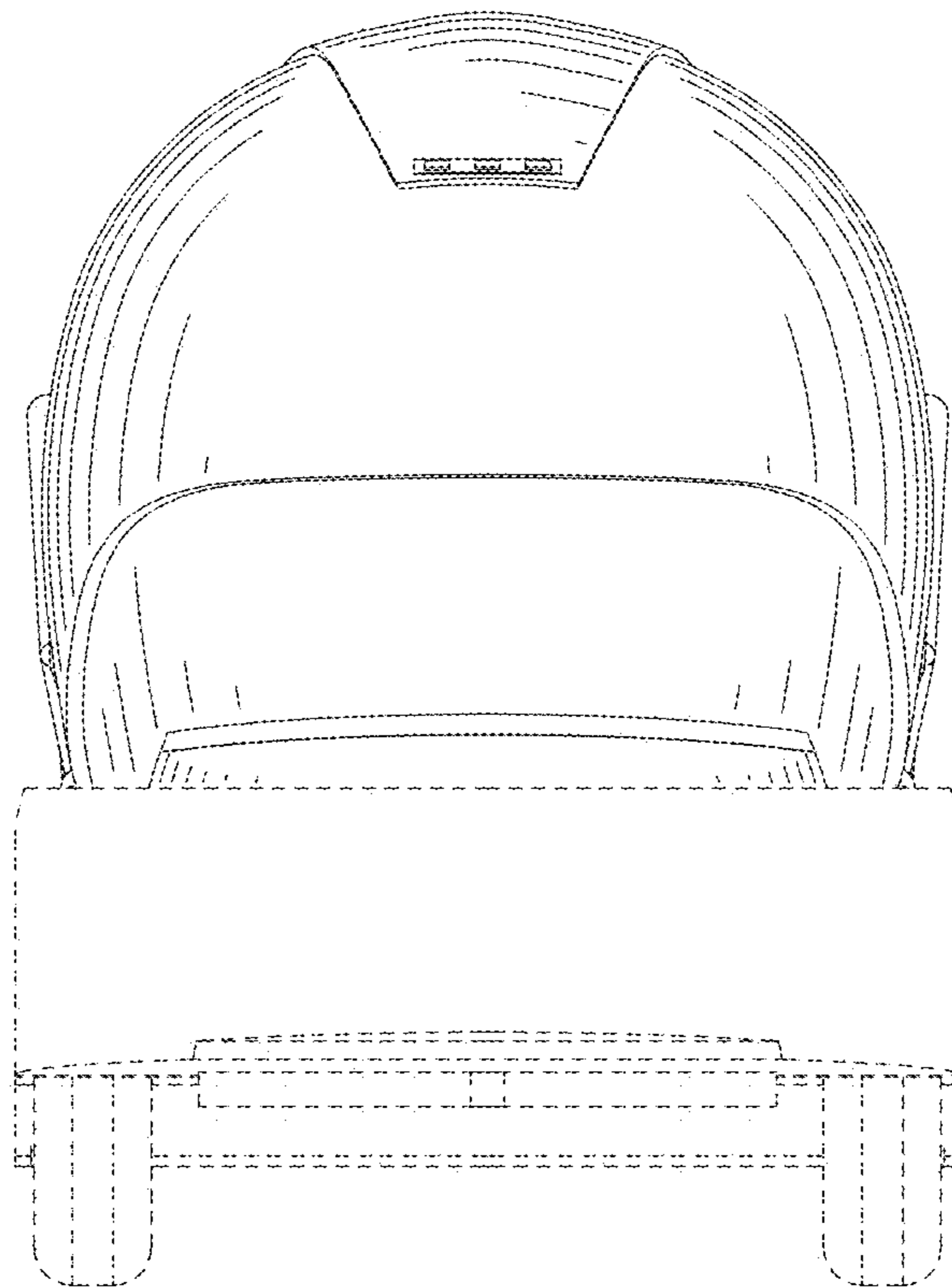


FIG. 7

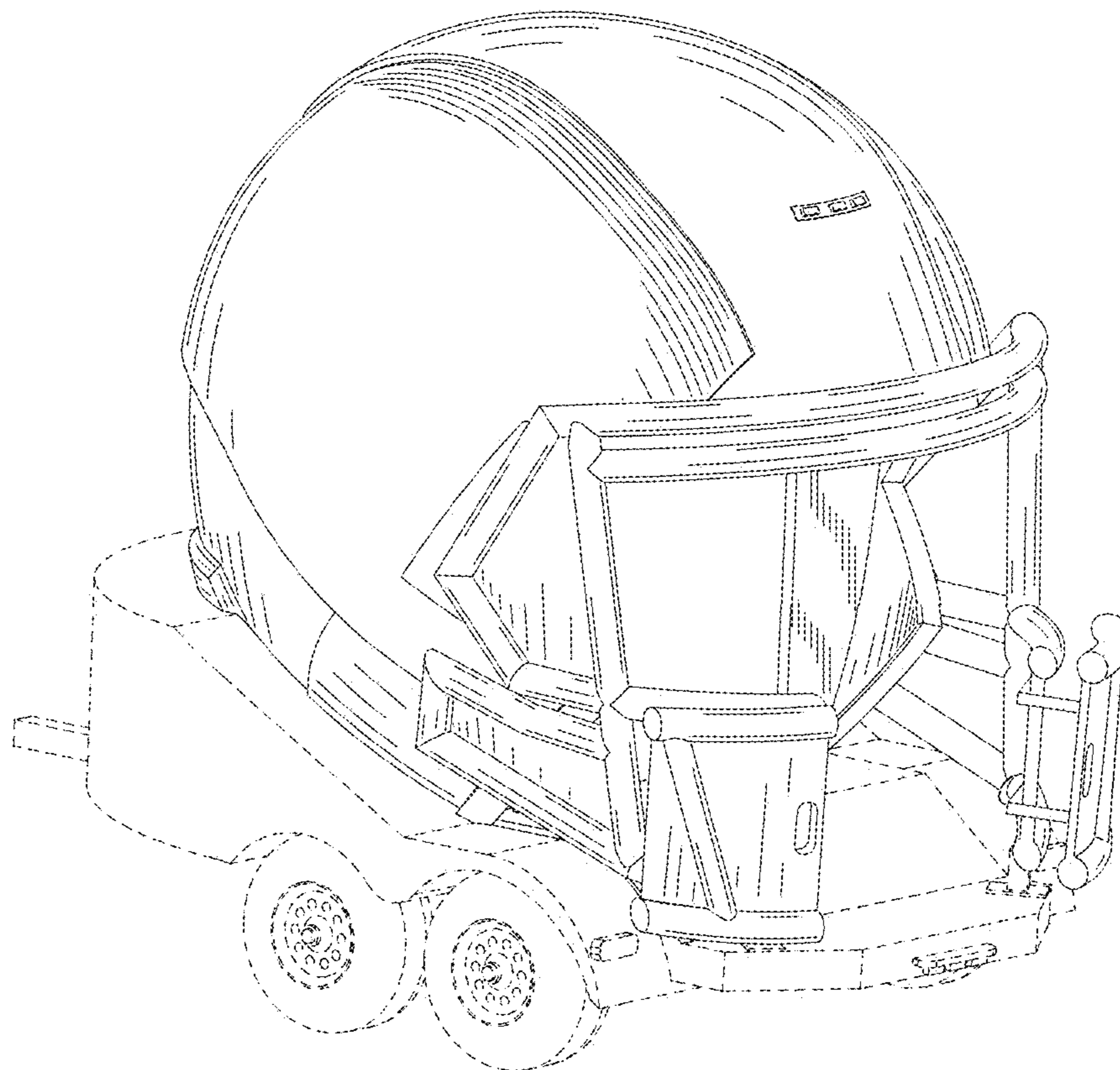


FIG. 8