



US00D874339S

(12) **United States Design Patent** (10) **Patent No.:** **US D874,339 S**
Mícek et al. (45) **Date of Patent:** **** *Feb. 4, 2020**

(54) **BUS**
(71) Applicant: **PULSAR EXPO S.R.O., Prague (CZ)**
(72) Inventors: **Bystrík Mícek, Humenné (SK);**
Miloslav Melichárek, Prague (CZ);
Simon Kozicka, Banská Bystrica (SK)
(73) Assignee: **PULSAR EXPO S.R.O., Prague (CZ)**
(*) Notice: This patent is subject to a terminal disclaimer.
(**) Term: **15 Years**

D183,242 S * 7/1958 Crockett D12/84
D196,905 S * 11/1963 Dardenne D12/84
D198,526 S * 6/1964 Nallinger D12/84
D241,526 S * 9/1976 Haugen et al. D12/84
D255,340 S * 6/1980 Flesche D12/84
D301,996 S * 7/1989 Manning D12/84
D442,888 S * 5/2001 Papke D12/84
D472,849 S * 4/2003 Adelizzi D12/84
D481,972 S * 11/2003 Adelizzi D12/84
D531,546 S * 11/2006 Fillion D12/84
D563,273 S * 3/2008 Zhang D12/84
D563,831 S * 3/2008 Suge D12/84
D642,092 S * 7/2011 Wiens D12/84
D718,659 S * 12/2014 Lin D12/84
D721,297 S * 1/2015 Zhang D12/84
D789,249 S * 6/2017 Iparraguirre D12/84

(21) Appl. No.: **35/504,612**

* cited by examiner

(22) Filed: **Sep. 29, 2017**

Primary Examiner — Darlington LY

(80) **Hague Agreement Data**

(74) *Attorney, Agent, or Firm* — Nadya Reingand; Yan Hankin

Int. Filing Date: **Sep. 29, 2017**

Int. Reg. No.: **DM/100017**

Int. Reg. Date: **Sep. 29, 2017**

Int. Reg. Pub. Date: **Mar. 16, 2018**

(51) **LOC (12) Cl.** **12-08**

(52) **U.S. Cl.**
USPC **D12/84**

(58) **Field of Classification Search**
USPC D12/82, 84, 86, 92, 100
CPC B62D 23/00; B62D 25/00; B62D 31/02;
B62D 31/04; B62D 53/062; B62D 65/00;
B60G 2202/152; B60G 2300/14; B60P
3/007; B21D 53/88
See application file for complete search history.

(57) **CLAIM**

The ornamental design for a bus, as shown and described.

(56) **References Cited**

U.S. PATENT DOCUMENTS

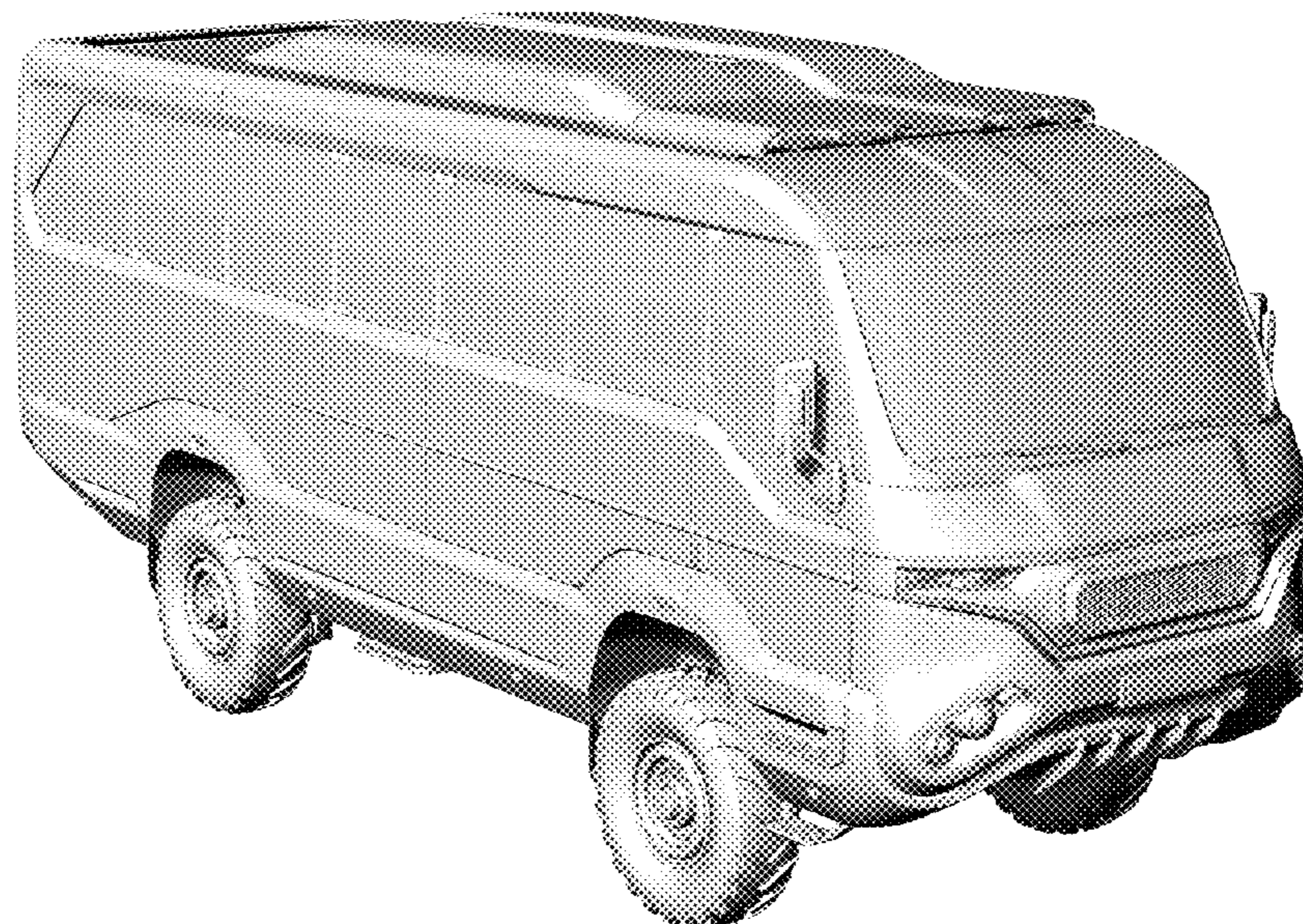
D154,806 S * 8/1949 Ramstrum D12/84
D180,312 S * 5/1957 Ahrens D12/84

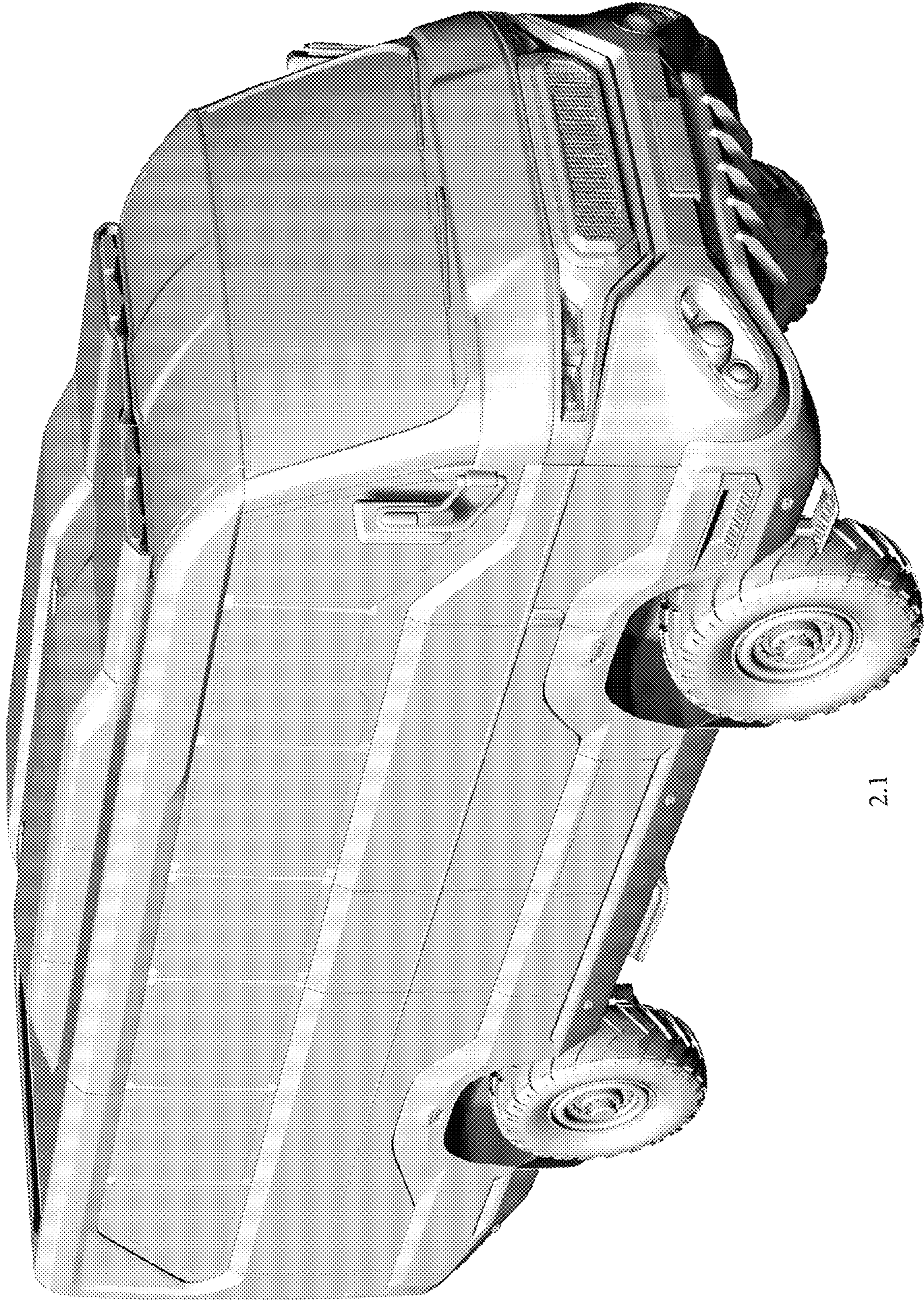
DESCRIPTION

Bus

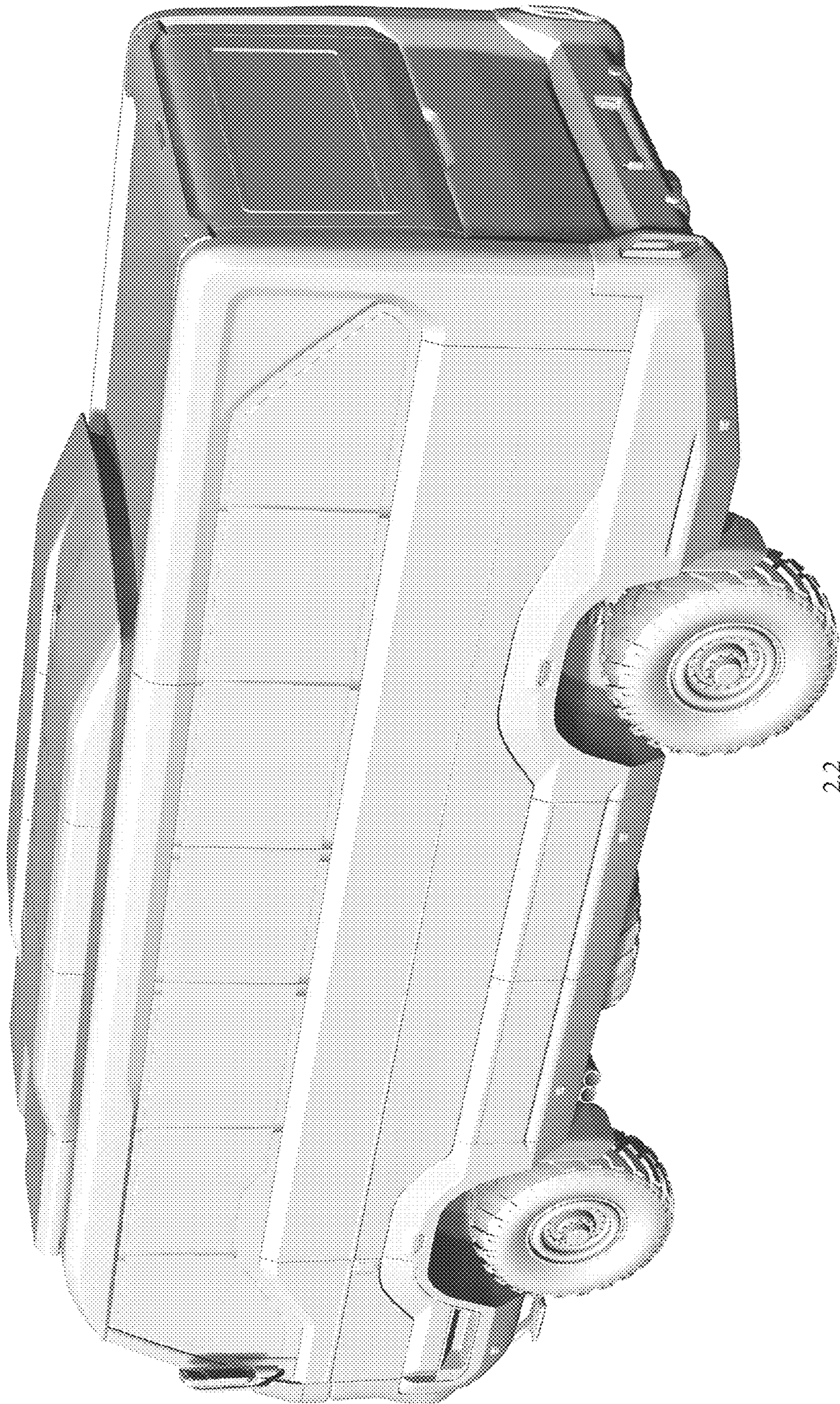
2.1 is a top, front, and right side perspective view of a bus showing our new design;
2.2 is a top, rear, and left side perspective view thereof;
2.3 is a right side elevation view thereof;
2.4 is a left side elevation view thereof;
2.5 is a front elevation view thereof;
2.6 is a rear elevation view thereof; and
2.7 is a top plan view thereof.

1 Claim, 7 Drawing Sheets

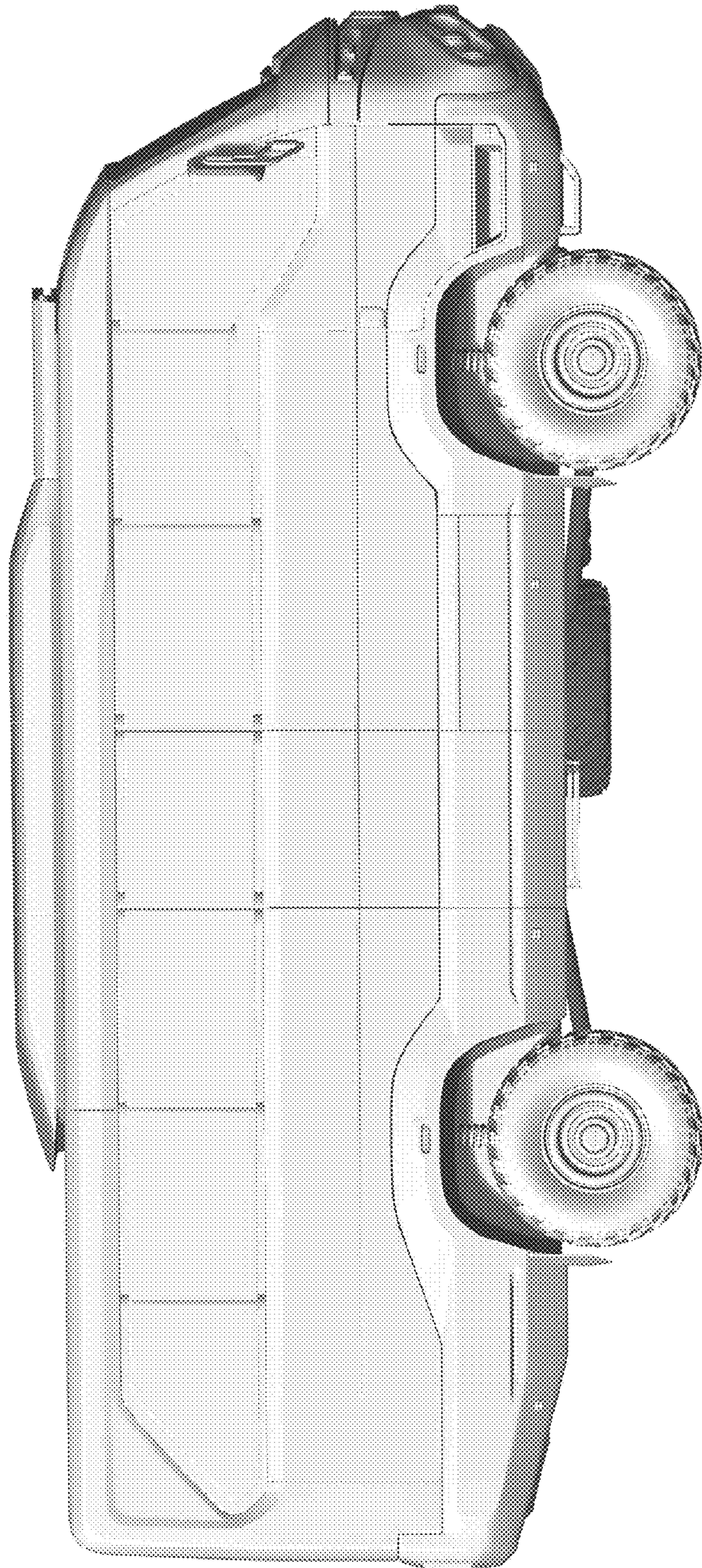




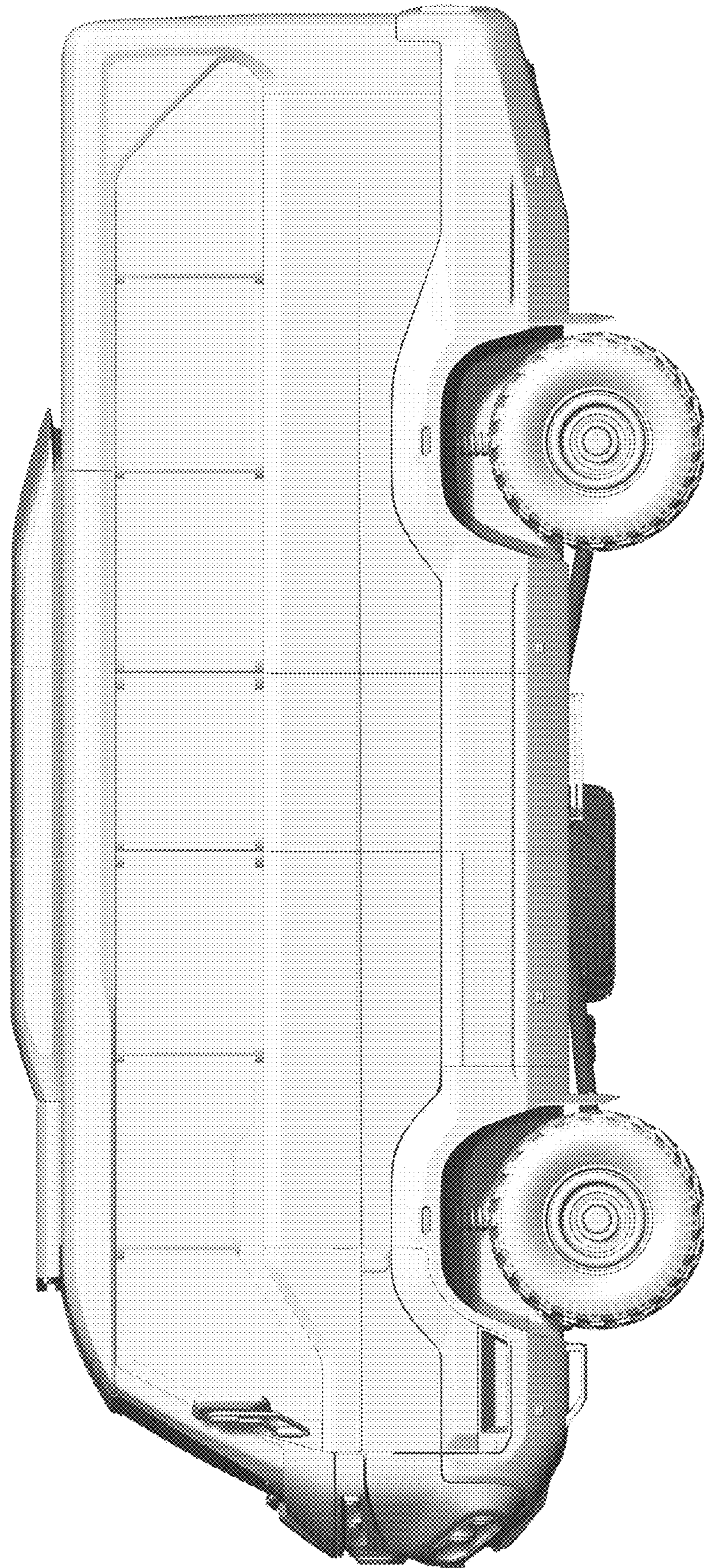
2.1



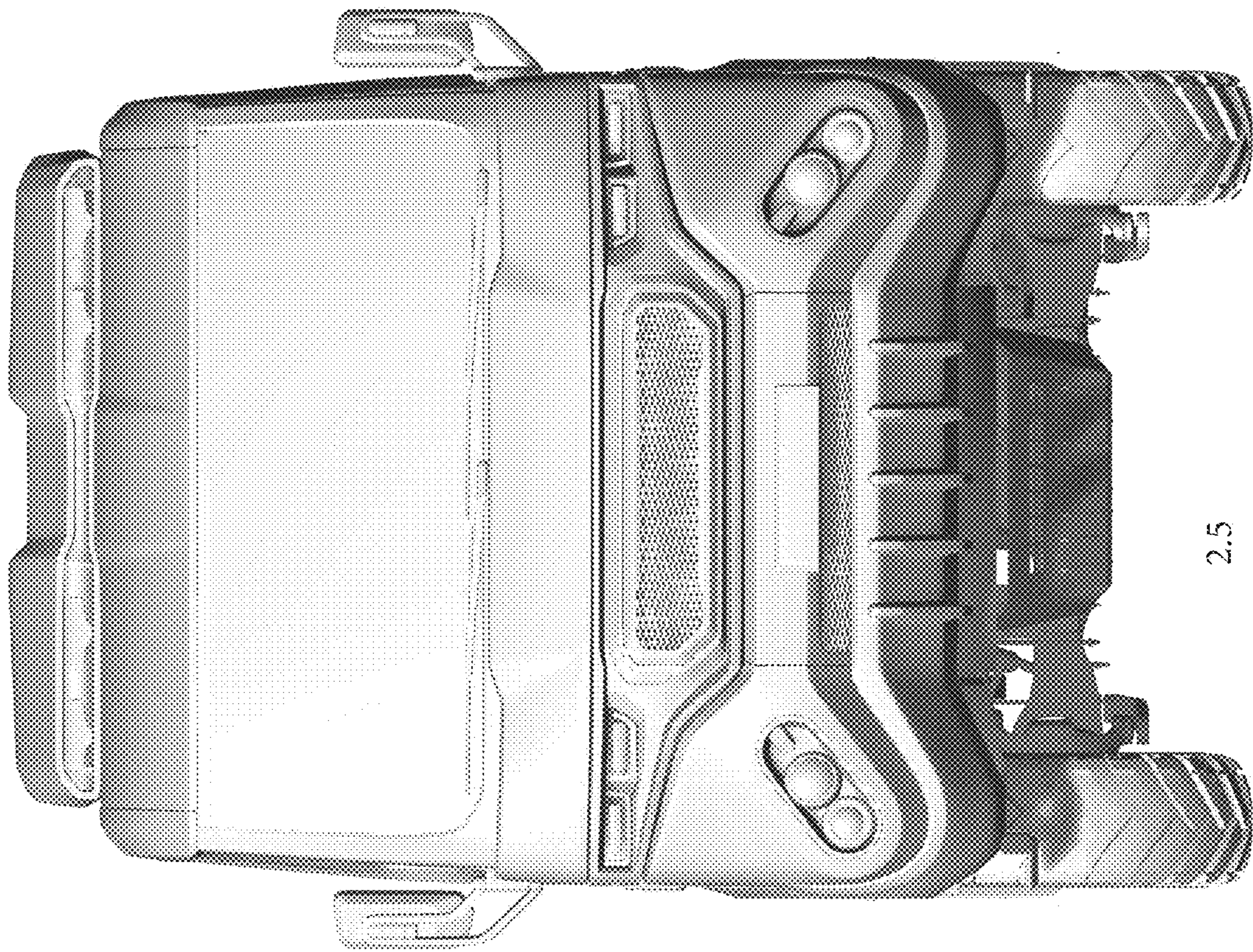
2.2



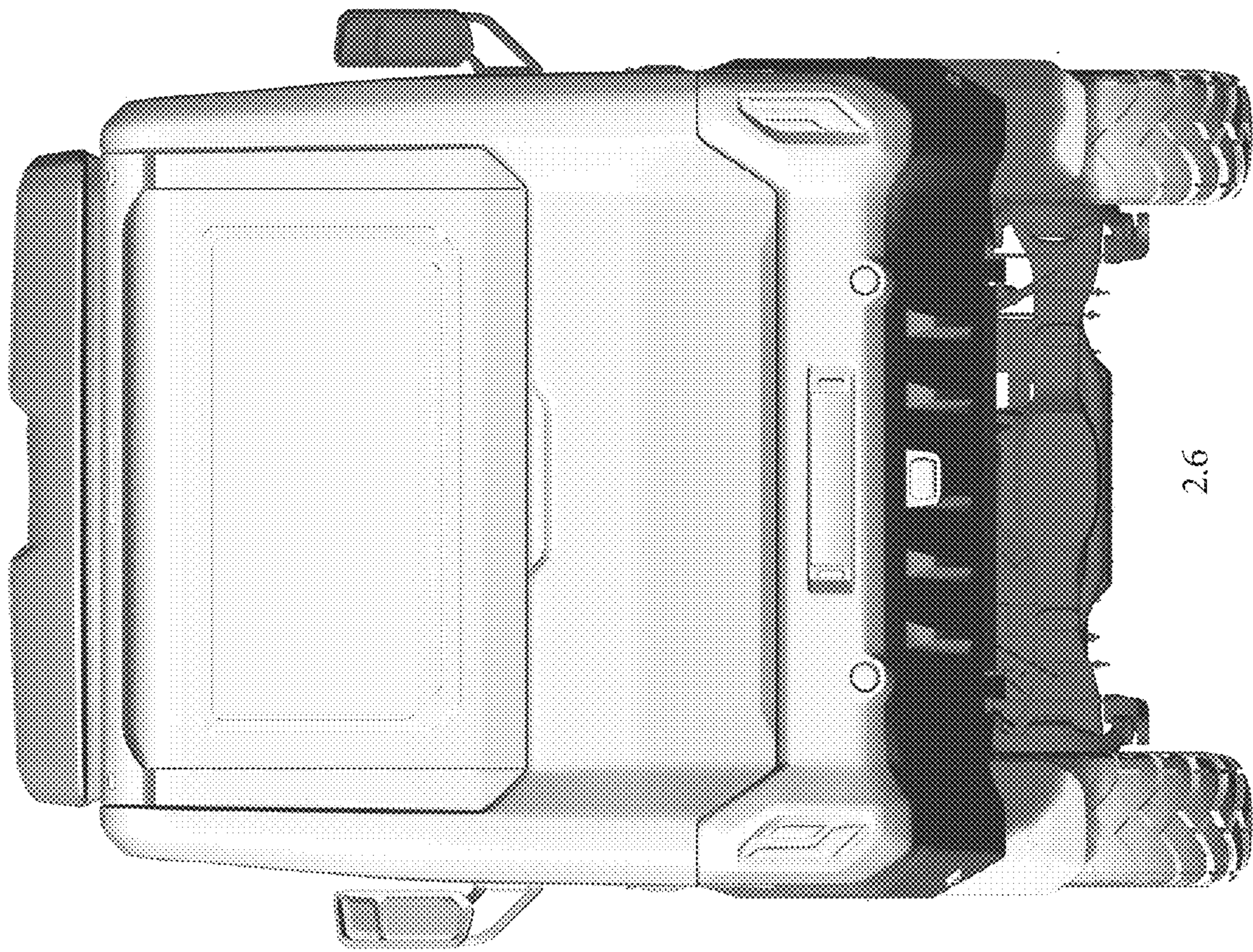
2.3



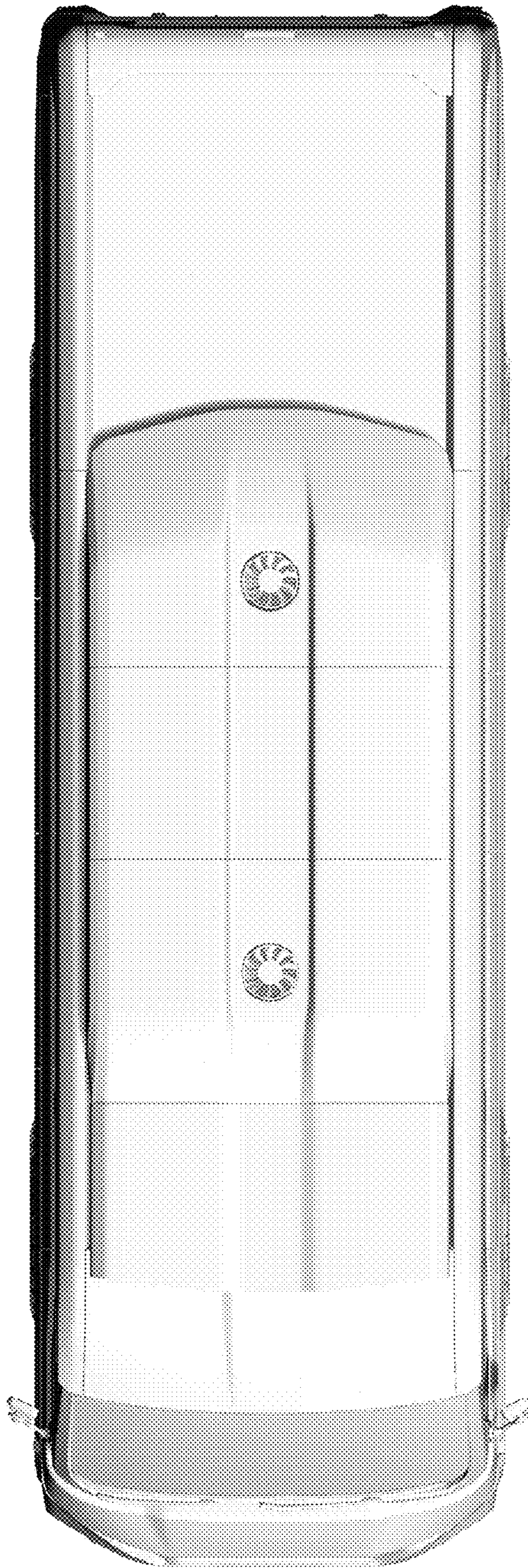
2.4



2.5



2.6



2.7