

US00D874338S

(12) **United States Design Patent**
Zhao

(10) **Patent No.:** **US D874,338 S**

(45) **Date of Patent:** **** Feb. 4, 2020**

(54) **DRONE**

(71) Applicant: **Jianjia Zhao**, Zhangzhou (CN)

(72) Inventor: **Jianjia Zhao**, Zhangzhou (CN)

(**) Term: **15 Years**

(21) Appl. No.: **29/674,753**

(22) Filed: **Dec. 26, 2018**

(51) **LOC (12) Cl.** **12-06**

(52) **U.S. Cl.**
USPC **D12/16.1; D21/436**

(58) **Field of Classification Search**
USPC D12/319-345, 16.1, 1-4, 415, 401;
D21/436-455, 769, 771
CPC B64C 2201/146; B64C 2201/027; B64C
2201/104; B64C 25/06; B64C 25/24;
B64C 39/04; B64C 5/02
See application file for complete search history.

D821,263 S *	6/2018	Goldy	D12/16.1
D825,379 S *	8/2018	Gury	D12/16.1
D843,267 S *	3/2019	Gao	D12/16.1
D849,154 S *	5/2019	Zhao	D21/436
D854,448 S *	7/2019	Chen	D12/16.1
D858,353 S *	9/2019	Gan	D12/16.1
D860,047 S *	9/2019	Gan	D12/16.1
D860,048 S *	9/2019	Caubel	D12/16.1
D861,573 S *	10/2019	He	D12/328
D864,022 S *	10/2019	Gan	D12/16.1
2017/0174316 A1 *	6/2017	Huddleston, Jr.	B64C 11/00
2017/0301109 A1 *	10/2017	Chan	G06K 9/0063
2018/0095468 A1 *	4/2018	Yang	B64C 39/024
2018/0149947 A1 *	5/2018	Kim	B64C 25/10
2019/0039719 A1 *	2/2019	Baek	B64C 11/04

* cited by examiner

Primary Examiner — Marissa J Cash

(57) **CLAIM**

The ornamental design for a drone, as shown and described.

DESCRIPTION

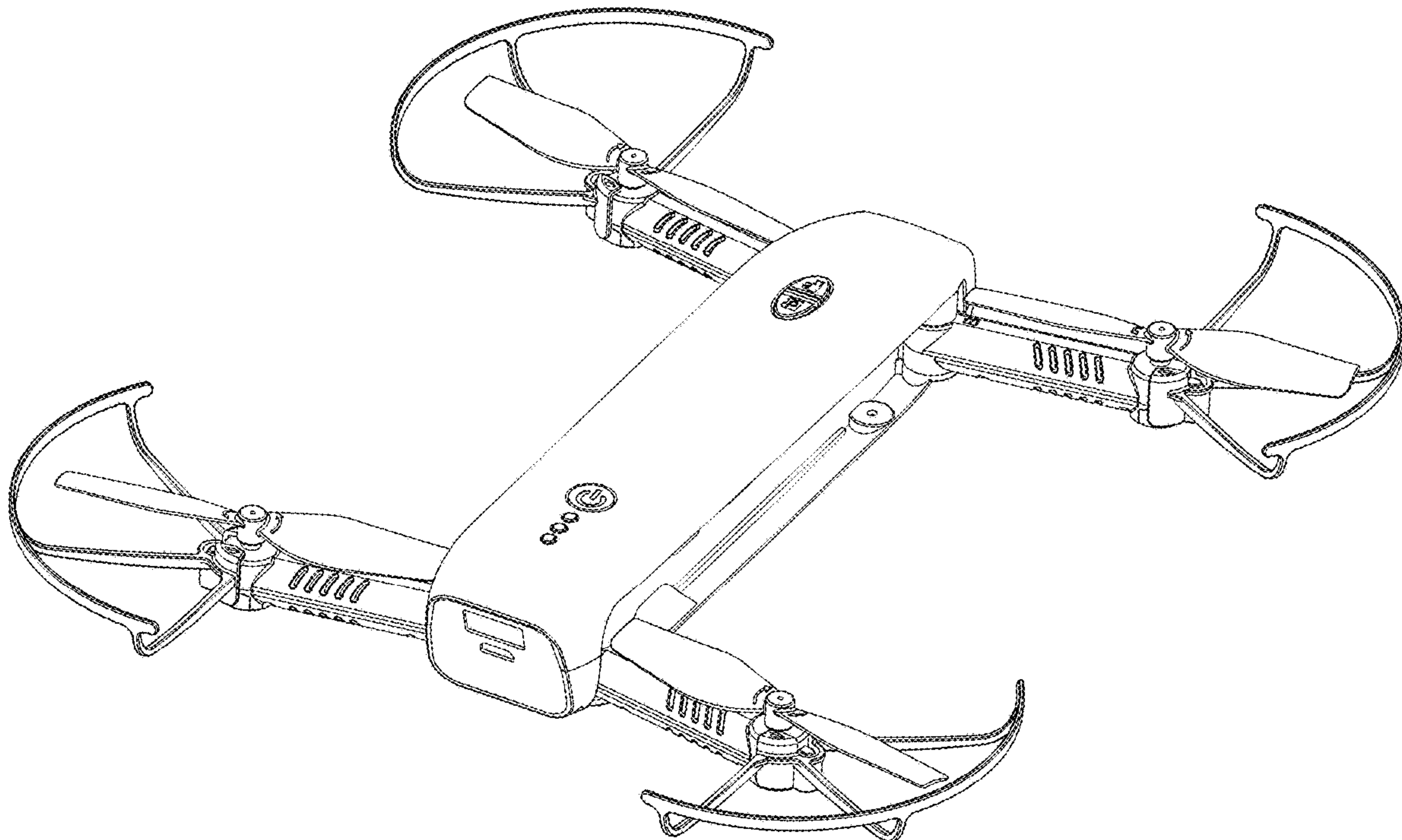
FIG. 1 is a front perspective view of the drone showing my new design;
FIG. 2 is a rear perspective view thereof;
FIG. 3 is a front elevational view thereof;
FIG. 4 is a rear elevational view thereof;
FIG. 5 is a left side elevational view thereof;
FIG. 6 is a right side elevational view thereof;
FIG. 7 is a top plan view thereof; and,
FIG. 8 is a bottom plan view thereof.

1 Claim, 8 Drawing Sheets

(56) **References Cited**

U.S. PATENT DOCUMENTS

D741,779 S *	10/2015	Hsiao	D12/16.1
D785,541 S *	5/2017	Du	D12/328
D798,961 S *	10/2017	Li	D21/441
D813,723 S *	3/2018	Ahn	D12/16.1
D813,724 S *	3/2018	Hu	D12/16.1
D814,385 S *	4/2018	Zhao	D12/328
D818,872 S *	5/2018	Ho	D12/16.1
D818,874 S *	5/2018	Tian	D12/16.1
D819,749 S *	6/2018	Caubel	D21/449



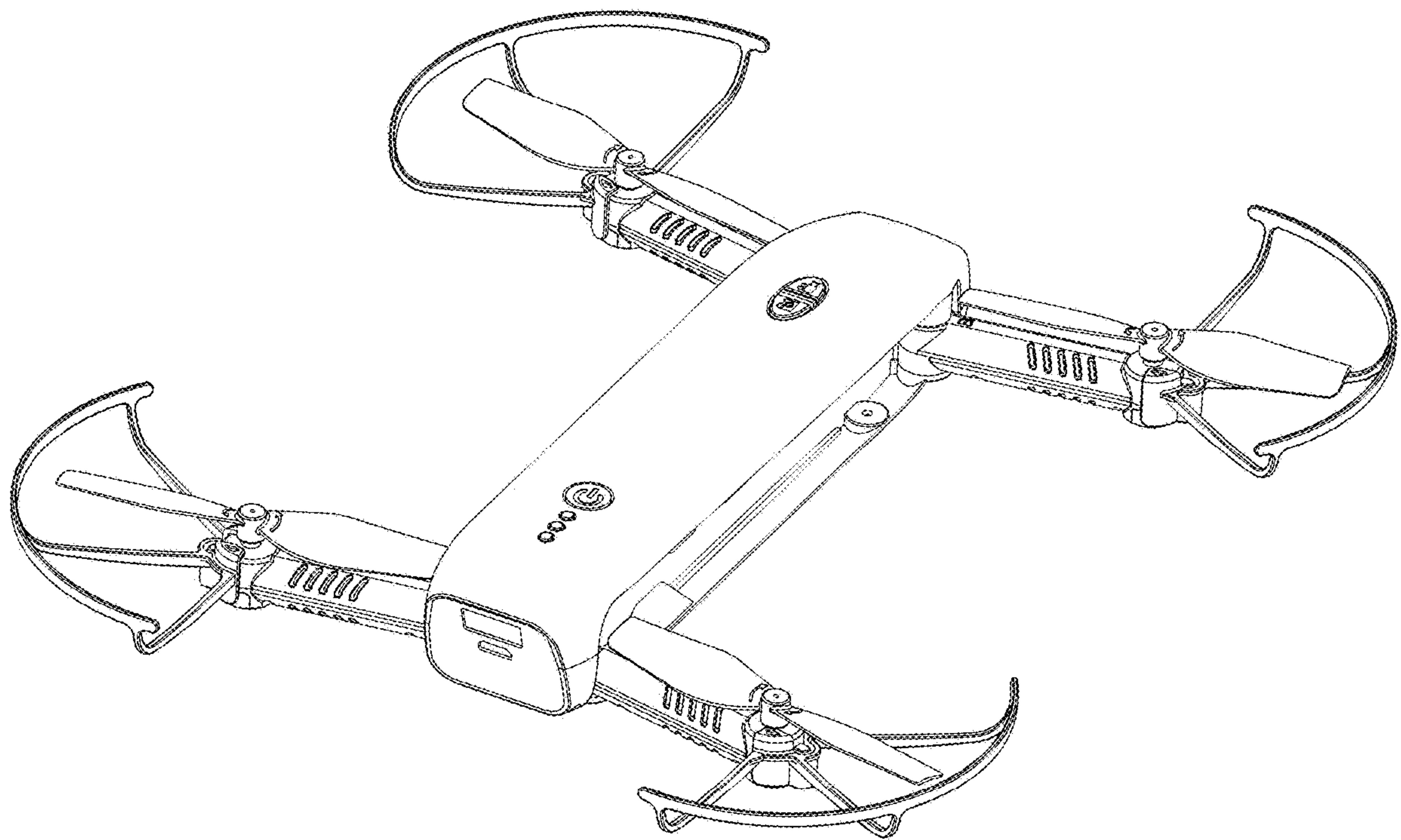


FIG.1

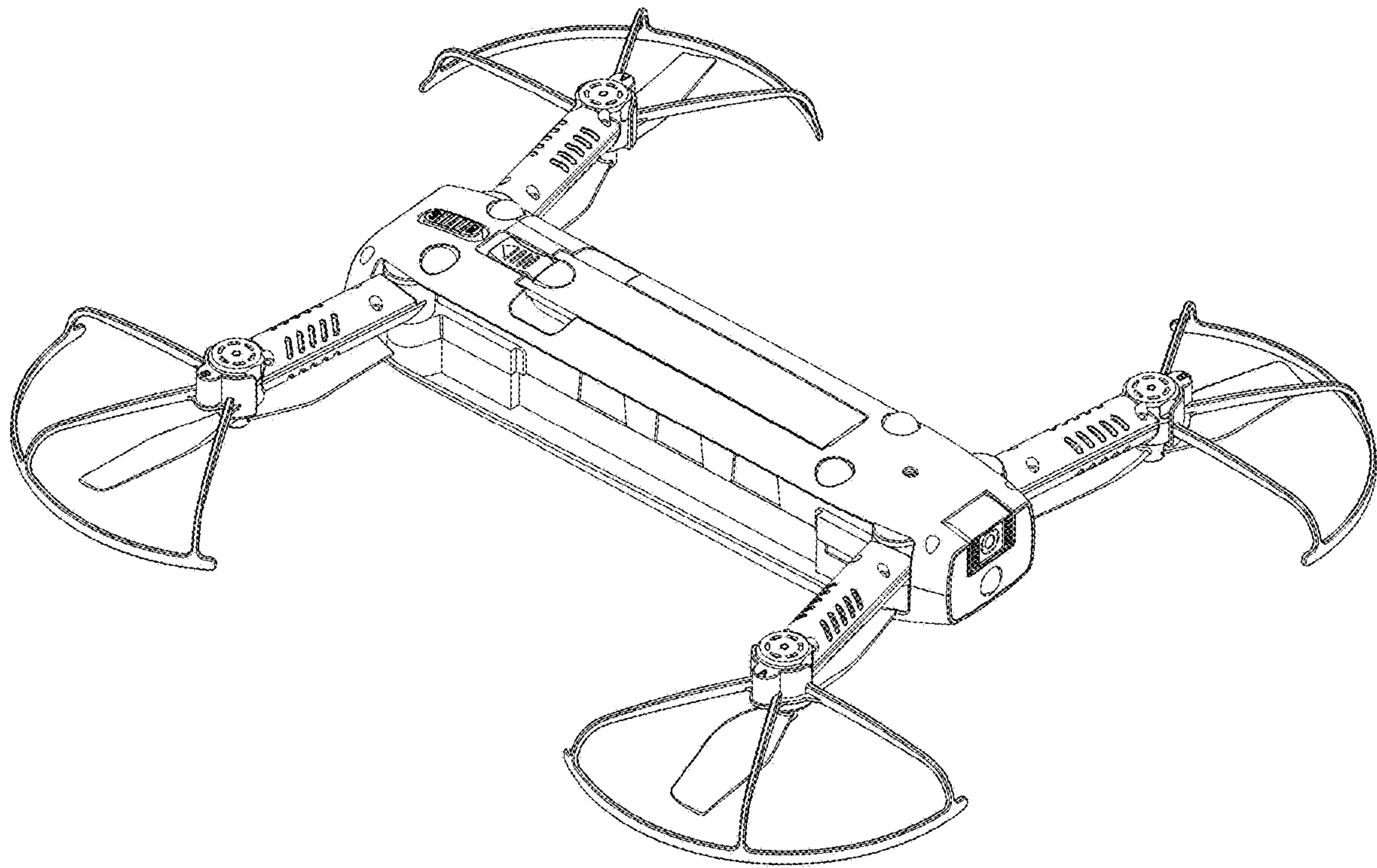


FIG.2

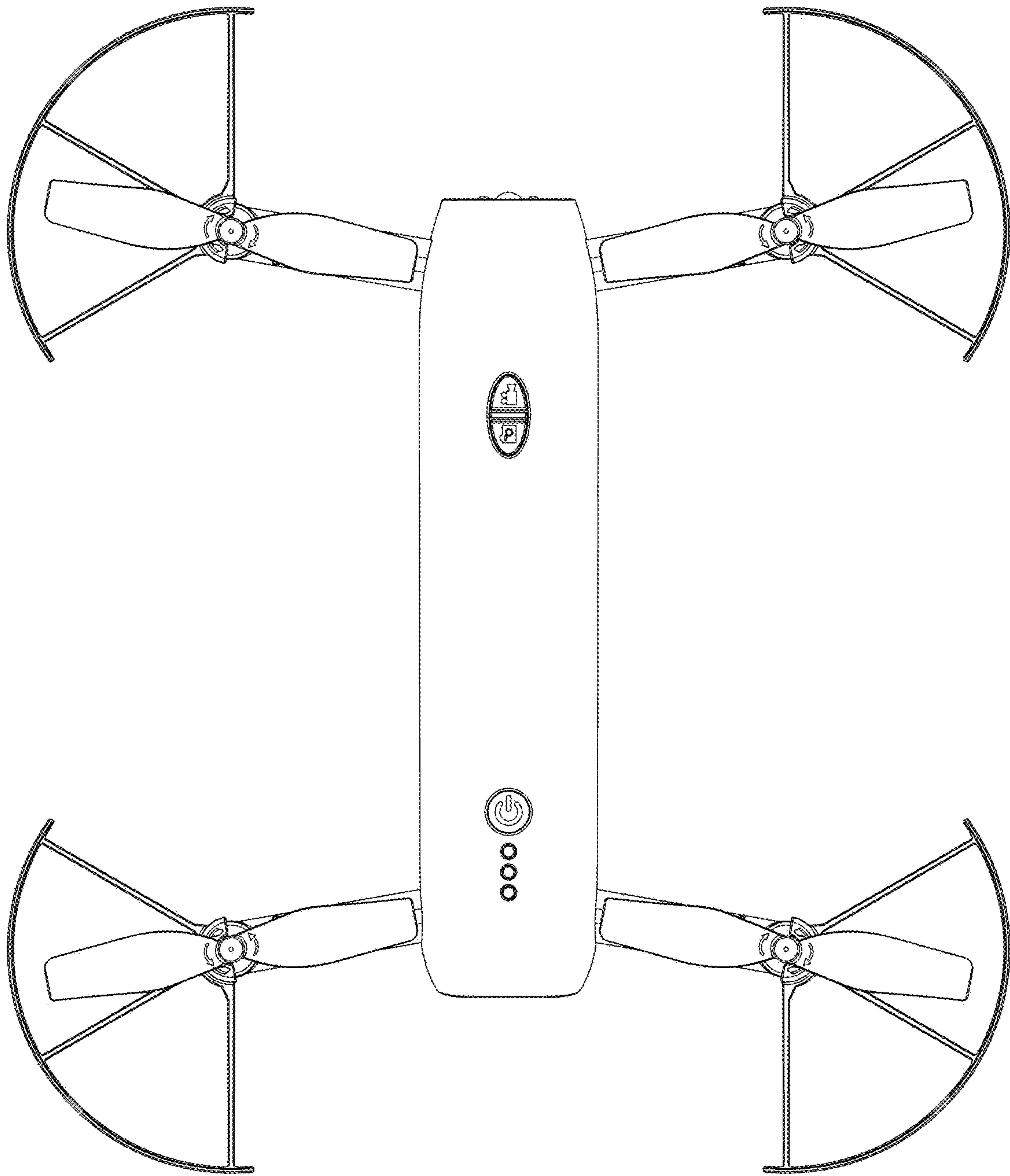


FIG.3

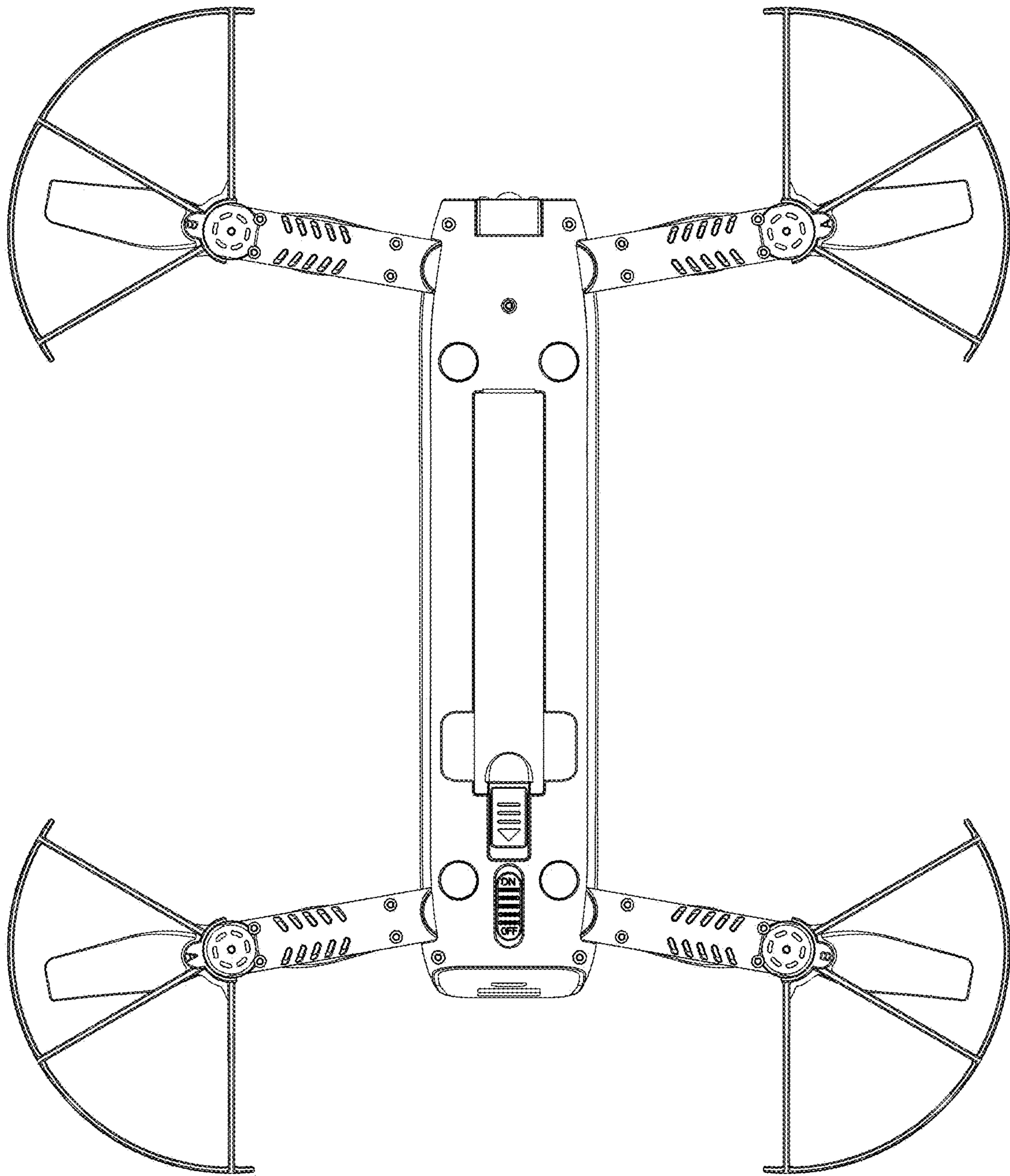


FIG.4

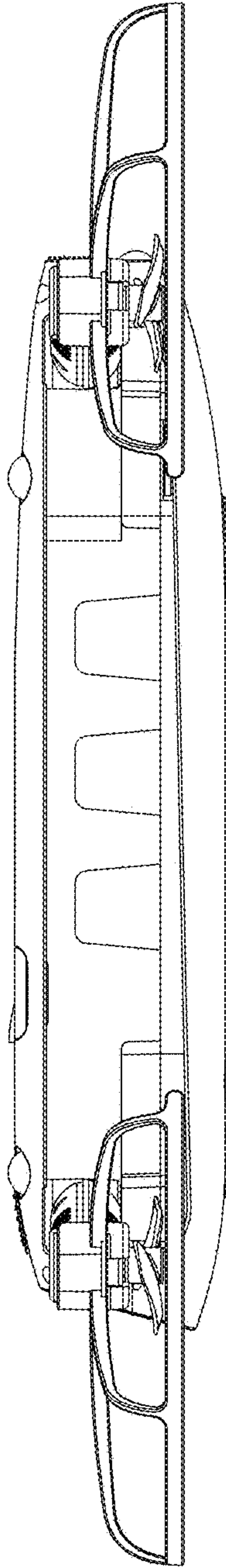


FIG.5

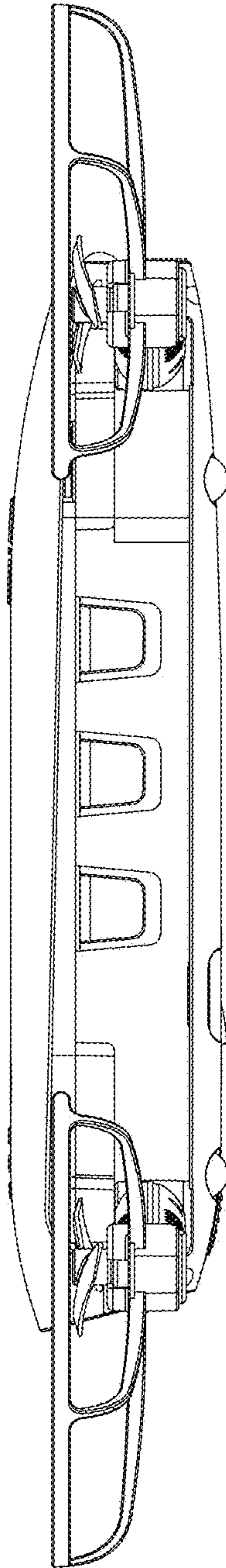


FIG.6

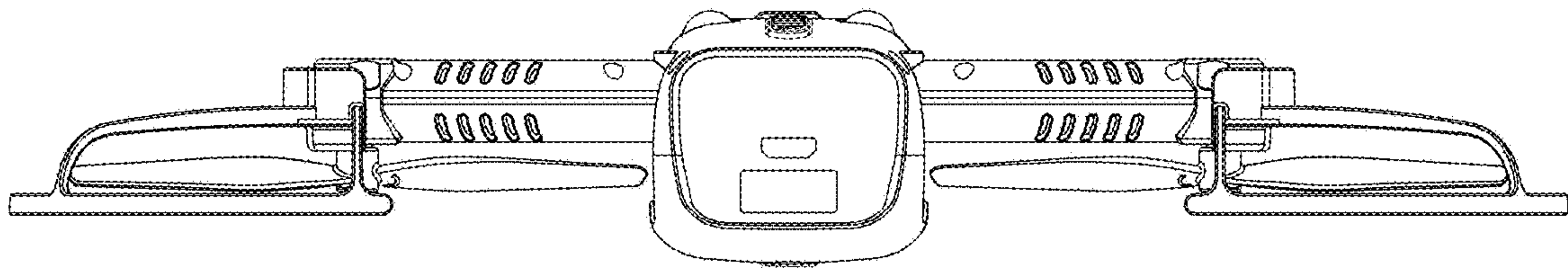


FIG.7

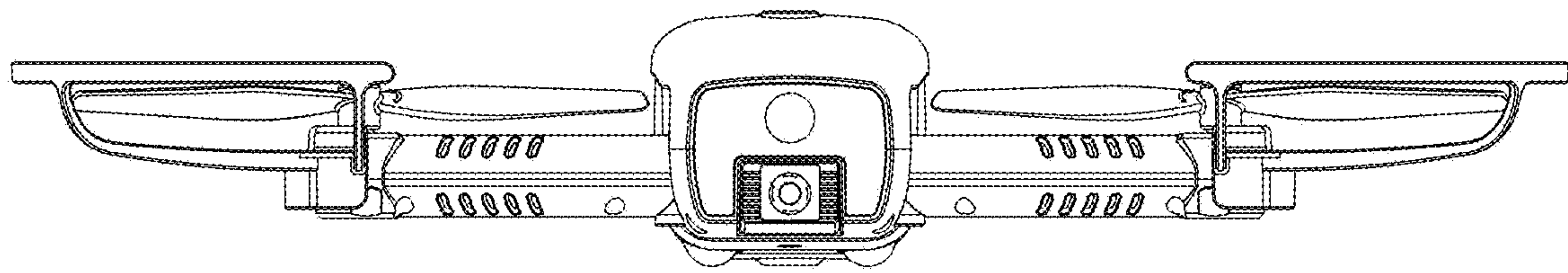


FIG.8