



US00D874336S

(12) **United States Design Patent**
Fortier

(10) **Patent No.:** **US D874,336 S**

(45) **Date of Patent:** **** Feb. 4, 2020**

- (54) **AMPHIBIOUS VEHICLE**
- (71) Applicant: **Guy Fortier**, Quebec (CA)
- (72) Inventor: **Guy Fortier**, Quebec (CA)
- (**) Term: **15 Years**
- (21) Appl. No.: **29/661,296**
- (22) Filed: **Aug. 27, 2018**
- (51) **LOC (12) Cl.** **12-14**
- (52) **U.S. Cl.**
USPC **D12/3**
- (58) **Field of Classification Search**
USPC D12/1, 2, 3, 4, 5, 6, 300, 310, 311, 312,
D12/316; D21/542
CPC . B63B 7/08; B63B 7/082; B63B 7/085; B60F
3/00; B60F 3/0069; B63C 13/00
See application file for complete search history.

5,522,338 A * 6/1996 Eilert B63B 7/082
114/197
D775,054 S * 12/2016 Lakin D12/300
2019/0232744 A1* 8/2019 Bein B60F 3/0007

* cited by examiner

Primary Examiner — T Chase Nelson
Assistant Examiner — Ania Aman
(74) *Attorney, Agent, or Firm* — Dunlap Bennett &
Ludwig PLLC

(57) **CLAIM**

The ornamental design for an amphibious vehicle, as shown and described.

DESCRIPTION

FIG. 1 is a top front perspective view of an amphibious vehicle, showing my new design;
FIG. 2 is a bottom front perspective view thereof;
FIG. 3 is a front elevation view thereof;
FIG. 4 is a rear elevation view thereof;
FIG. 5 is a left elevation view thereof, the right elevation view being a mirror image thereof;
FIG. 6 is a top plan view thereof;
FIG. 7 is a bottom plan view thereof; and,
FIG. 8 is a sectional view of the amphibious vehicle taken along line 8-8 of FIG. 3.

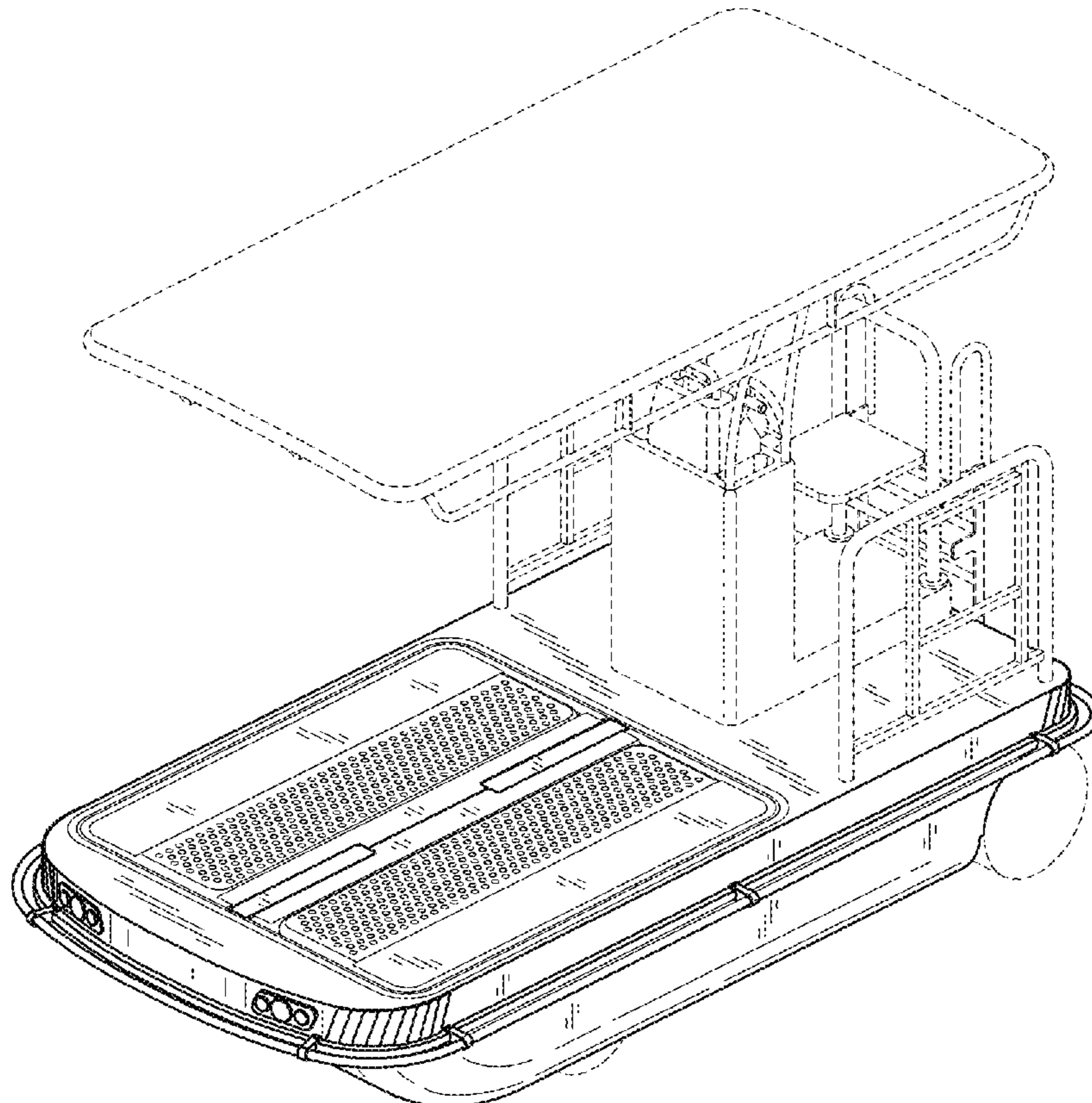
The broken lines shown in the drawings depict portions of the amphibious vehicle that form no part of the claimed design.

(56) **References Cited**

U.S. PATENT DOCUMENTS

- 3,193,851 A * 7/1965 Fiebelkorn B60F 3/0061
114/344
- 4,218,988 A * 8/1980 Tucker B60F 3/00
180/8.5
- D297,134 S * 8/1988 Levine D12/300
- 5,450,809 A * 9/1995 Melton B63B 7/04
114/353

1 Claim, 6 Drawing Sheets



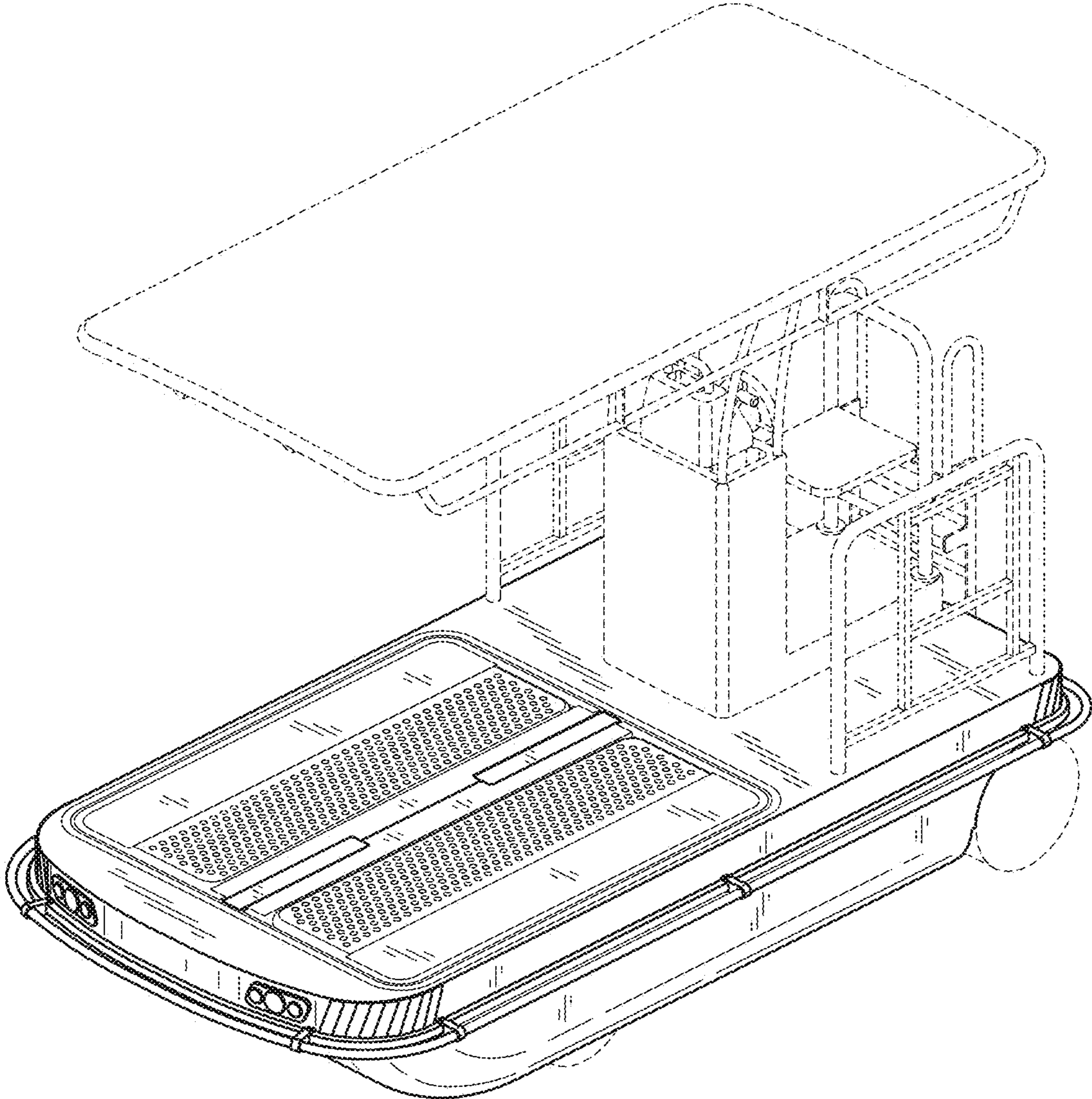


FIG. 1

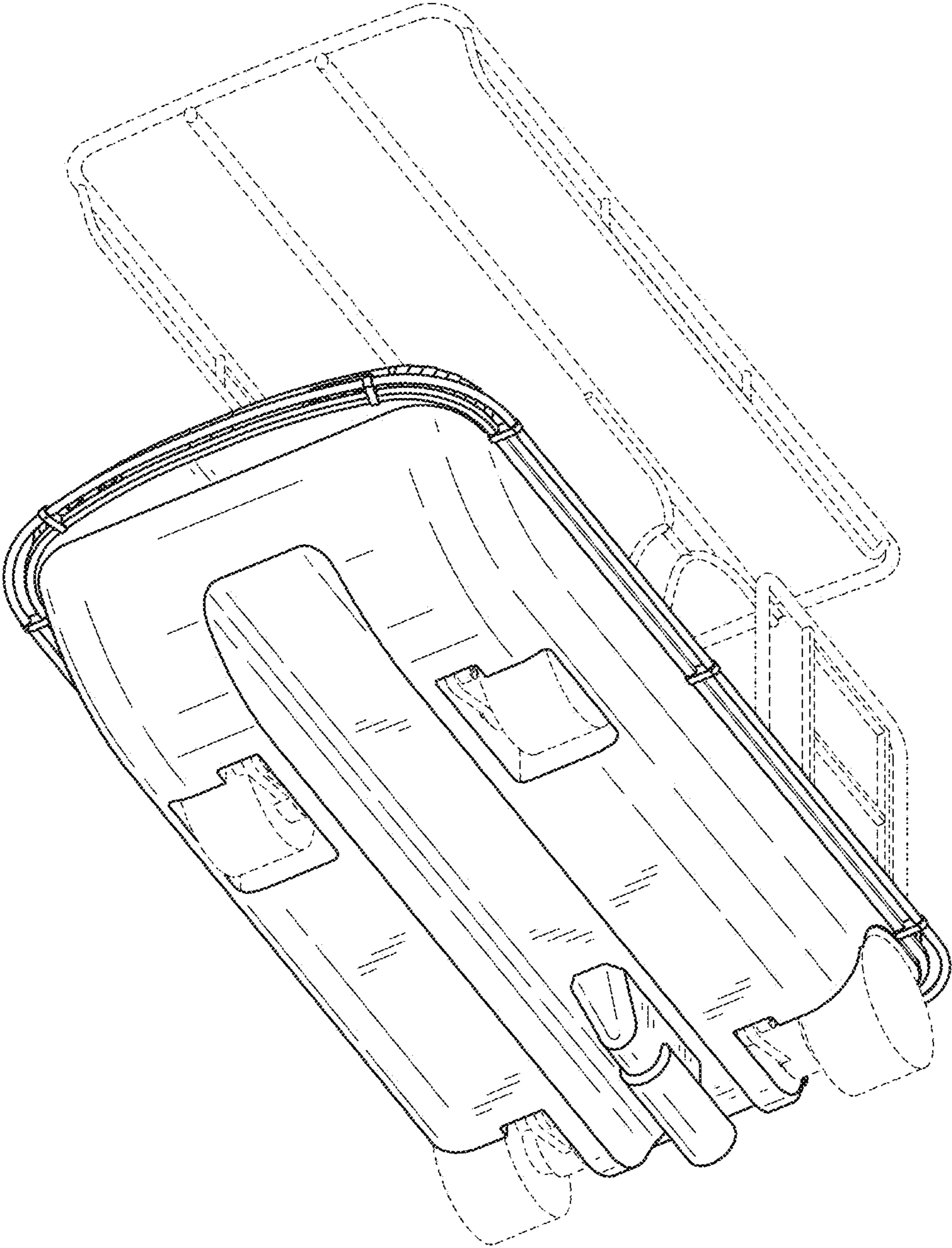


FIG. 2

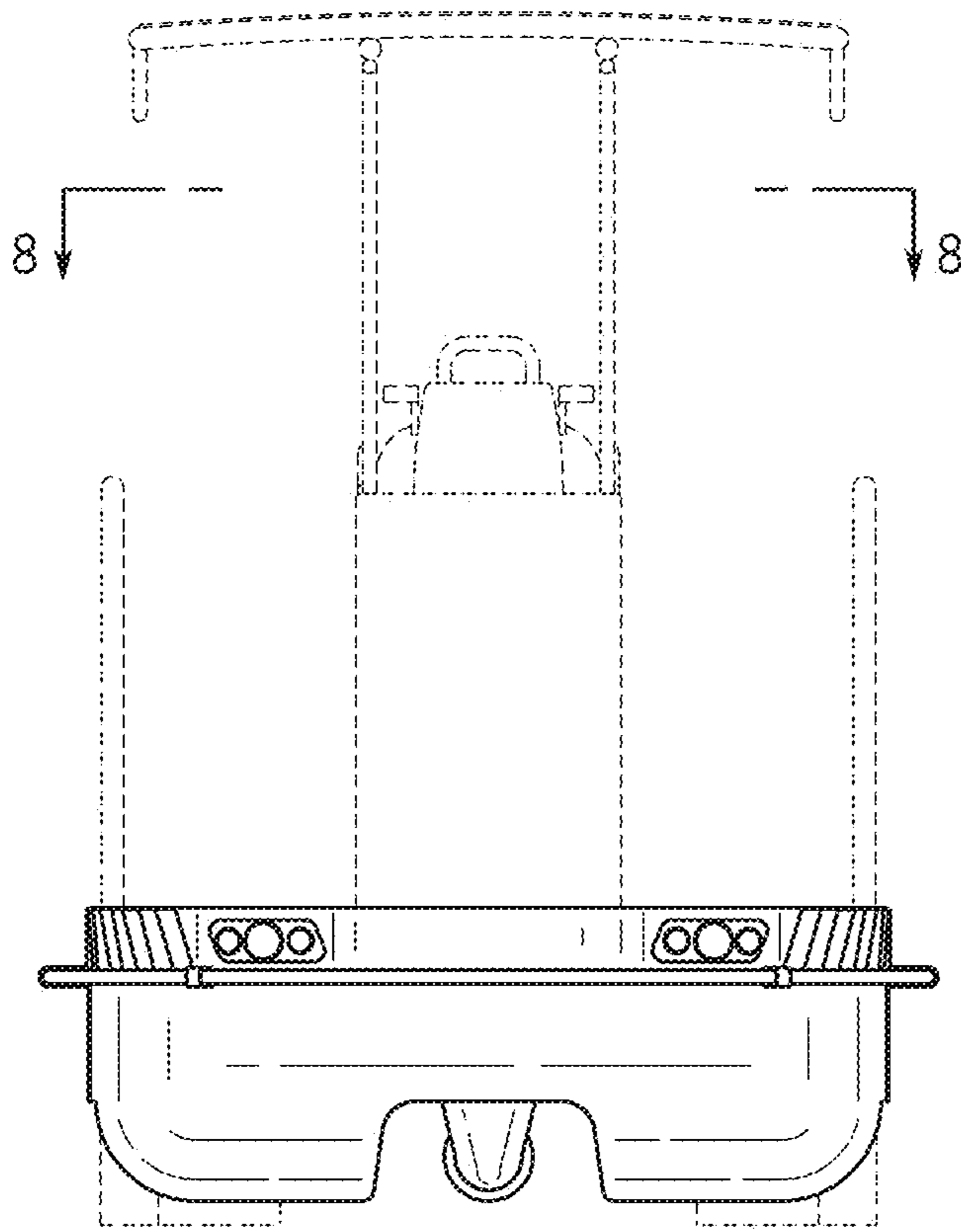


FIG. 3

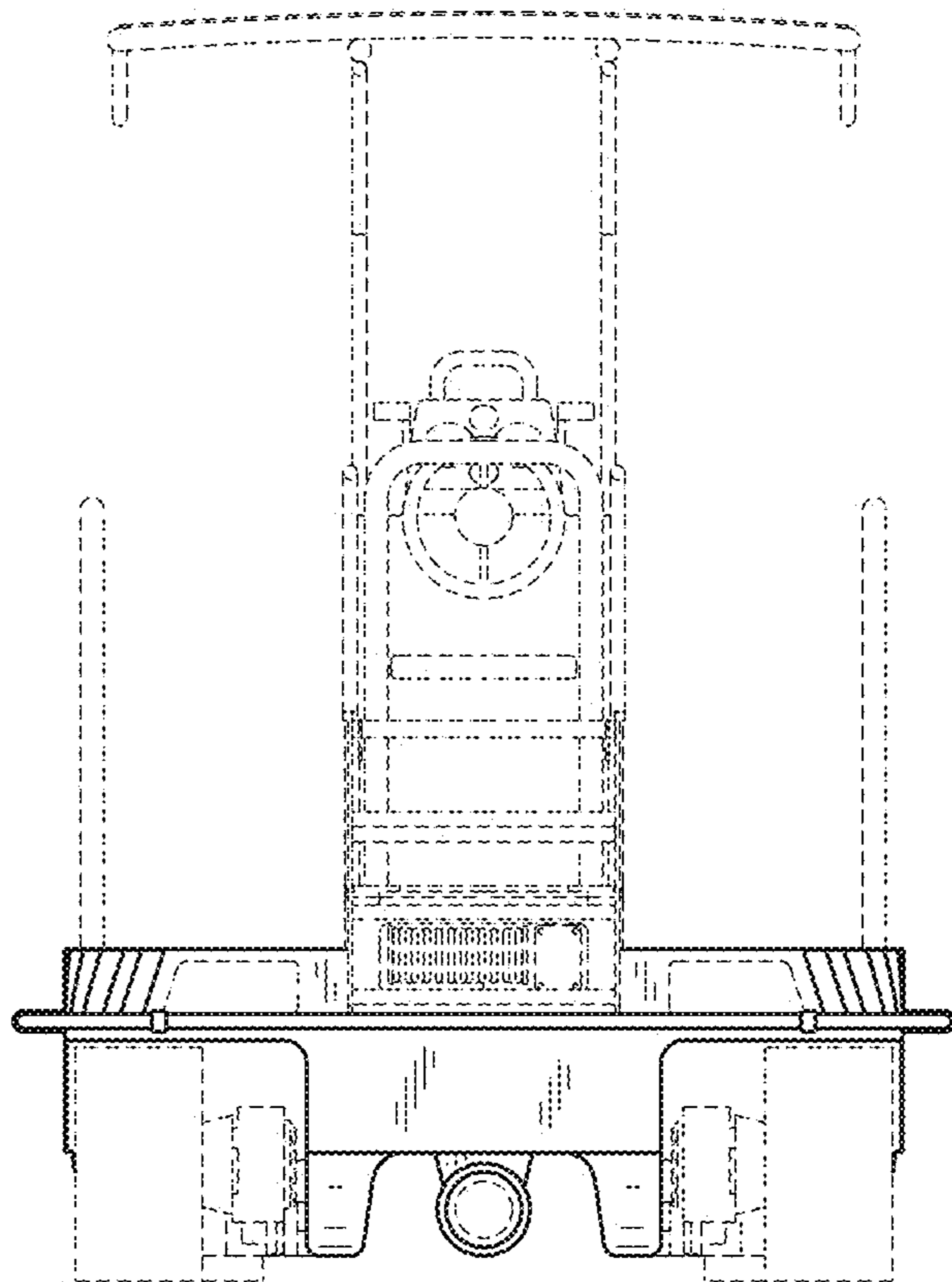


FIG. 4

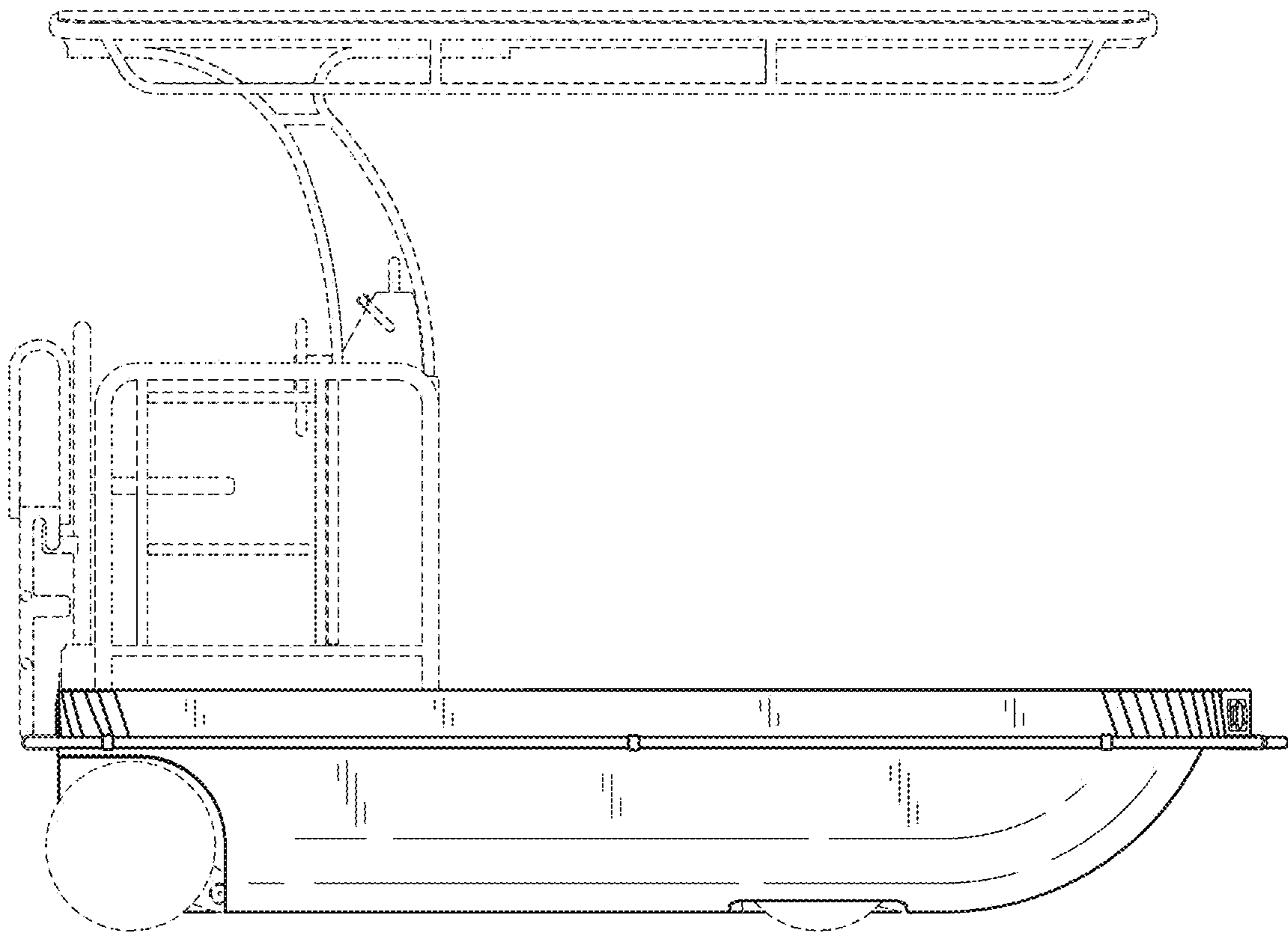


FIG. 5

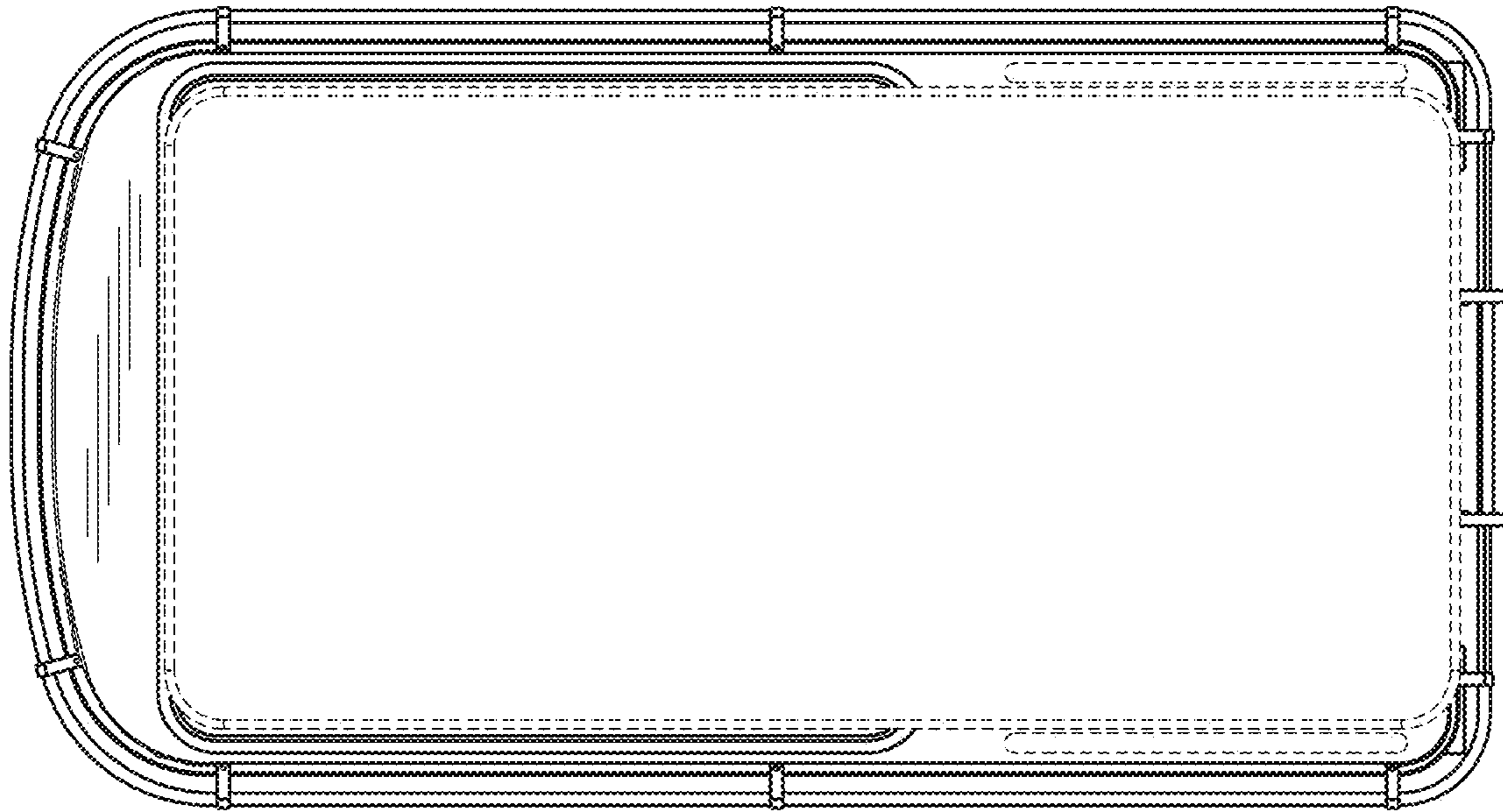


FIG. 6

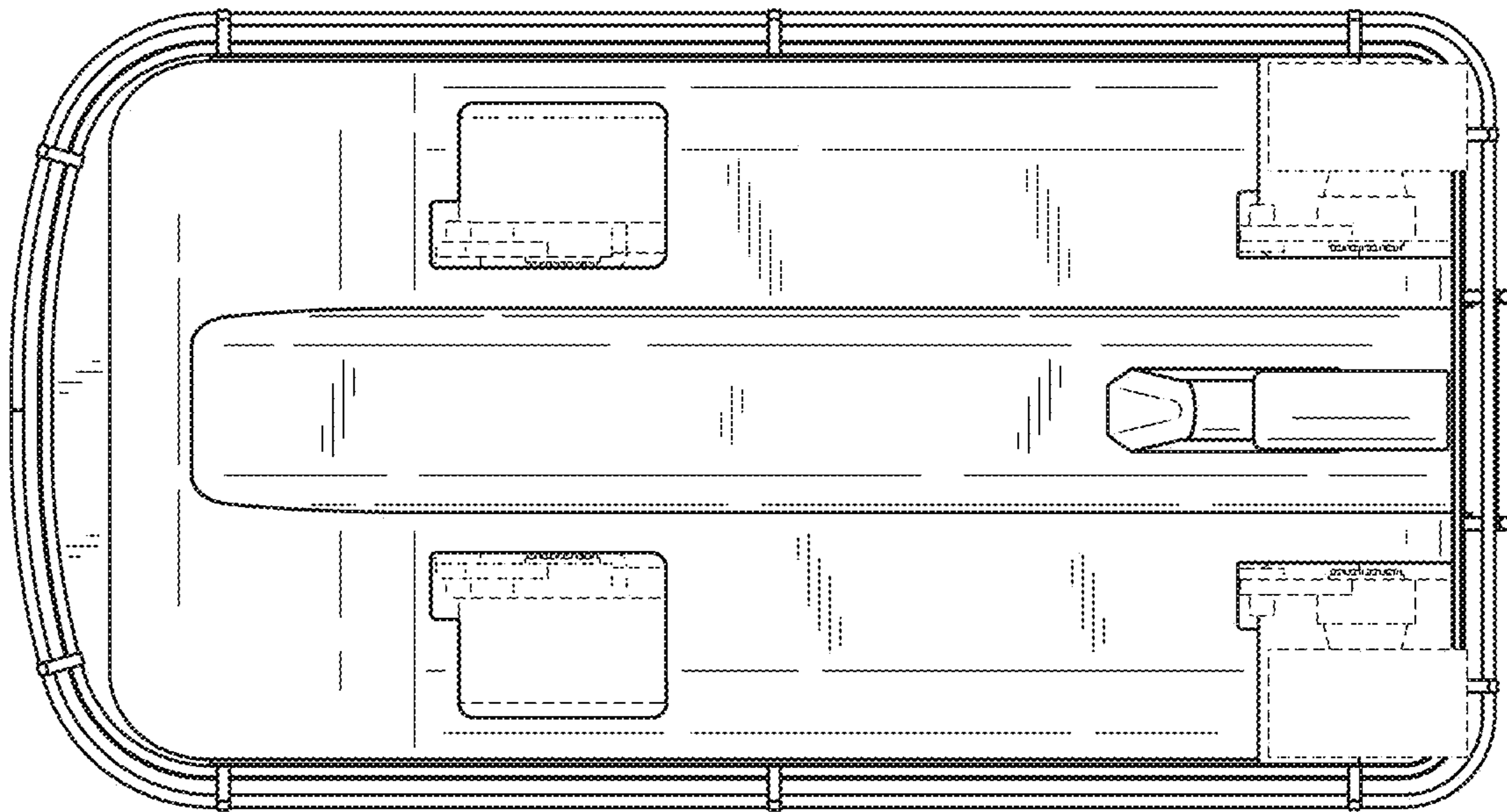


FIG. 7

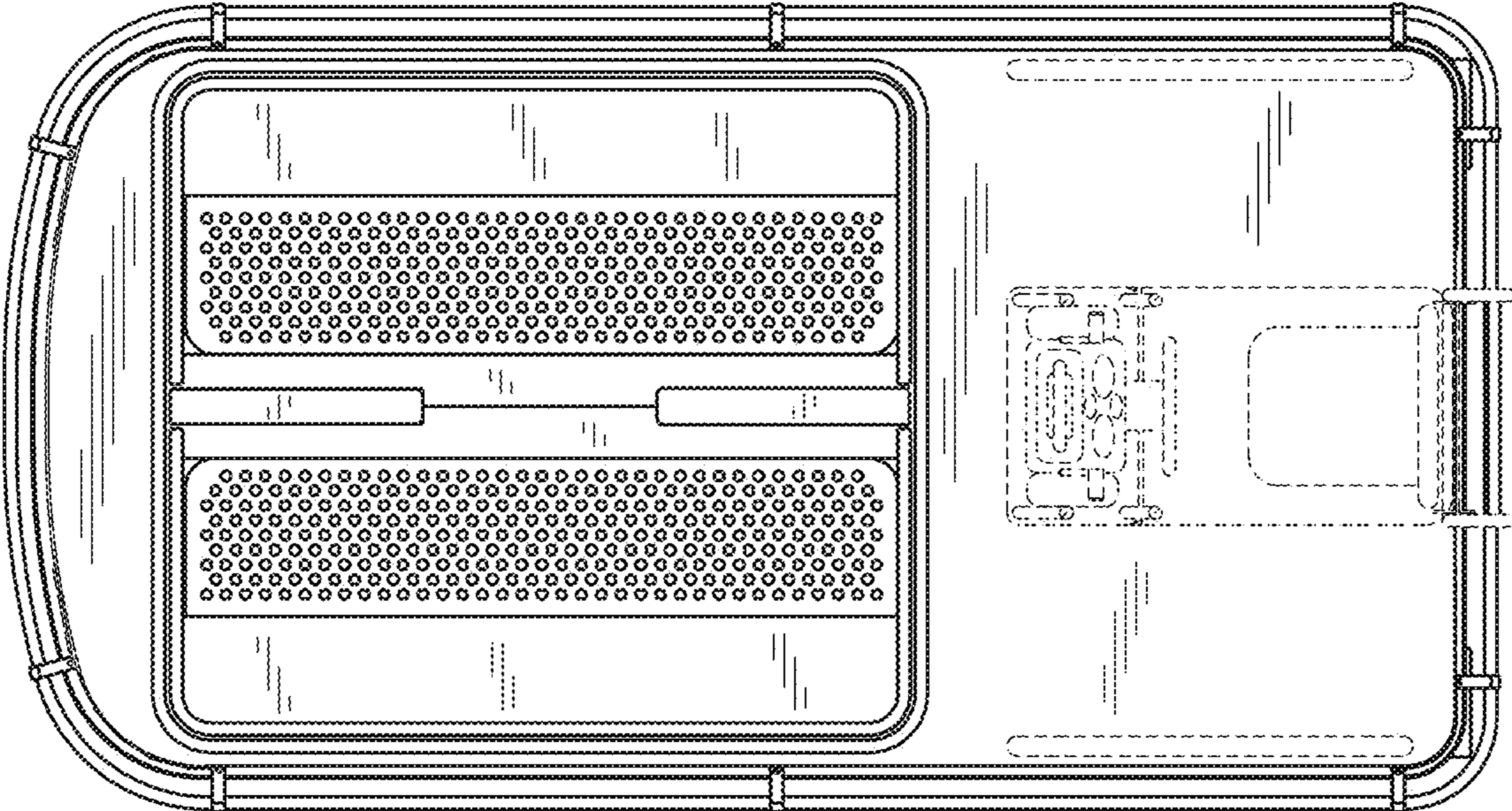


FIG. 8