



US00D874335S

(12) **United States Design Patent** (10) **Patent No.:** **US D874,335 S**
Dannar et al. (45) **Date of Patent:** **** Feb. 4, 2020**

(54) **VEHICLE**

(71) Applicants: **Gary Don Dannar**, Muncie, IN (US);
Daniel Steven Genord, South Lyon, MI (US)

(72) Inventors: **Gary Don Dannar**, Muncie, IN (US);
Daniel Steven Genord, South Lyon, MI (US)

(73) Assignee: **DD Dannar, LLC**, Muncie, IN (US)

(**) Term: **15 Years**

(21) Appl. No.: **29/649,487**

(22) Filed: **May 30, 2018**

(51) **LOC (12) Cl.** **12-14**

(52) **U.S. Cl.**
USPC **D12/1**

(58) **Field of Classification Search**
USPC D12/1, 2, 3, 4, 5, 14; D15/10, 11, 16,
D15/199

CPC B62D 35/00; B62D 39/00; B62D 47/00;
B62D 47/003; B62D 63/02; B62D
33/0617; B62D 33/00; A01B 59/02; B60L
200/22; B60Y 2200/86; B60Y 2200/91;
B60P 1/00; B60P 1/003; B60P 9/00;
B60R 21/13; B66F 9/22; B66F 9/063;
B25J 5/007; B25J 5/005

See application file for complete search history.

(56) **References Cited**

U.S. PATENT DOCUMENTS

D176,040 S * 11/1955 Schaffler, et al. D12/14
D184,580 S * 3/1959 Polhemus D12/1
5,521,588 A 5/1996 Kuhner et al.
6,061,617 A 5/2000 Berger et al.
7,230,819 B2 6/2007 Muchow et al.
7,603,207 B2 10/2009 Abraham et al.
7,634,350 B2 12/2009 Carlton et al.
D632,613 S * 2/2011 Allaire D12/12

7,891,446 B2 2/2011 Couture et al.
8,593,102 B2 11/2013 McGuire et al.
8,602,153 B2 12/2013 Osswald et al.
9,648,808 B2 5/2017 Force
9,780,579 B2 10/2017 Frankenberger
D849,598 S * 5/2019 Schroeder D12/14
D858,351 S * 9/2019 Schroeder D12/14
2009/0171482 A1 7/2009 Mindemann et al.
2010/0206354 A1 8/2010 Greene, Jr. et al.
2014/0285005 A1 9/2014 Casteel
2015/0045992 A1 2/2015 Ashby et al.
2017/0174092 A1 6/2017 Kohnke
2017/0240008 A1* 8/2017 Garagashyan B60F 3/00
2018/0057004 A1 3/2018 Muldoon et al.

OTHER PUBLICATIONS

<http://www.wrightimp.com/Precision-Ag/Precision-Ag-Product.aspx> dated Apr. 7, 2018.

* cited by examiner

Primary Examiner — T Chase Nelson

Assistant Examiner — Ania Aman

(74) *Attorney, Agent, or Firm* — Fox Rothschild LLP

(57) **CLAIM**

The ornamental design for a vehicle, as shown and described.

DESCRIPTION

FIG. 1 is a perspective view of the vehicle of the present design;

FIG. 2 is a top plan view thereof;

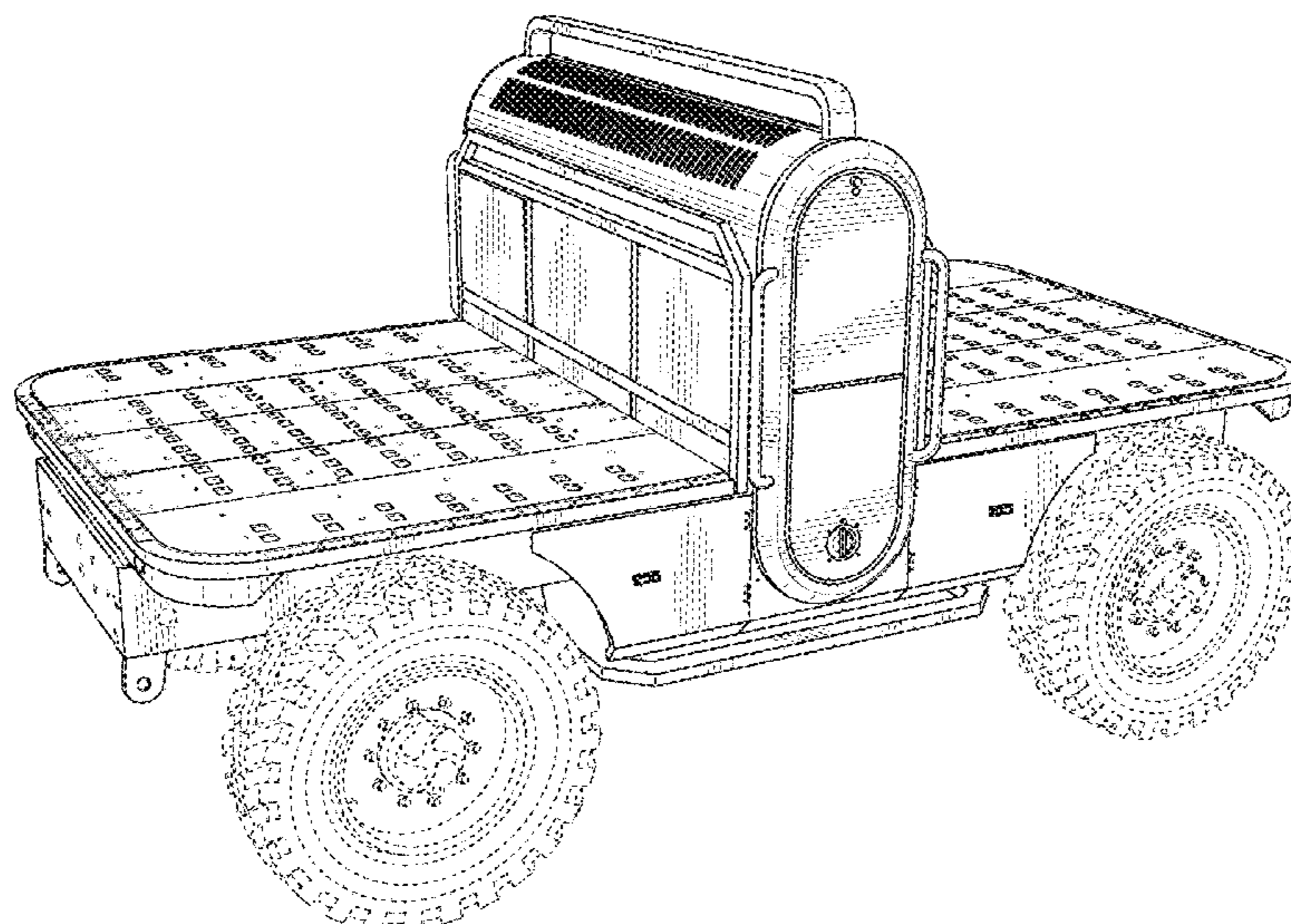
FIG. 3 is a bottom plan view thereof;

FIG. 4 is a right side elevational view thereof, the left side elevational view being identical thereto; and,

FIG. 5 is a front elevational view thereof, the rear elevational view being identical thereto.

The broken lines shown in the drawings depict portions of the vehicle that form no part of the claimed design.

1 Claim, 5 Drawing Sheets



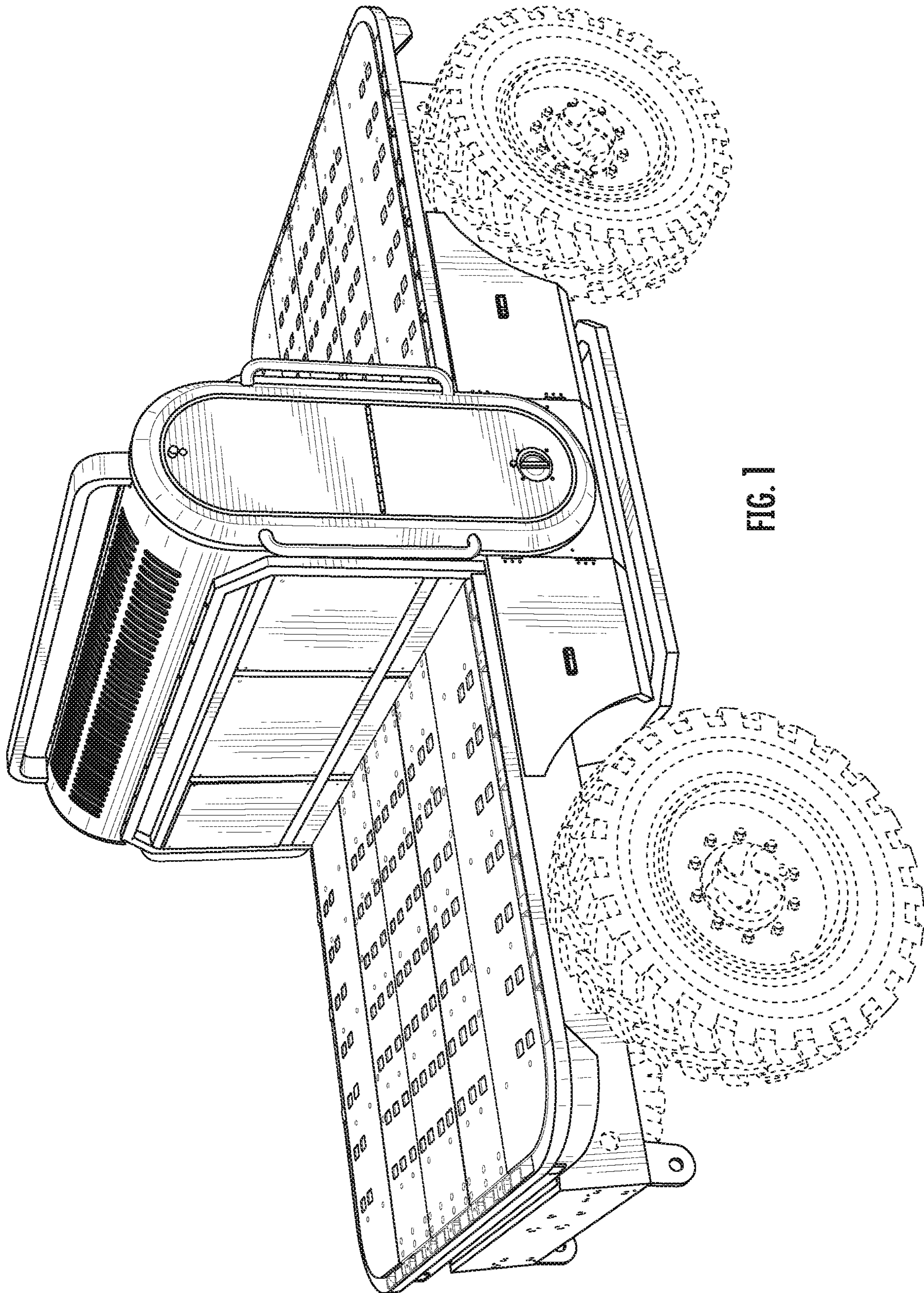


FIG. 1

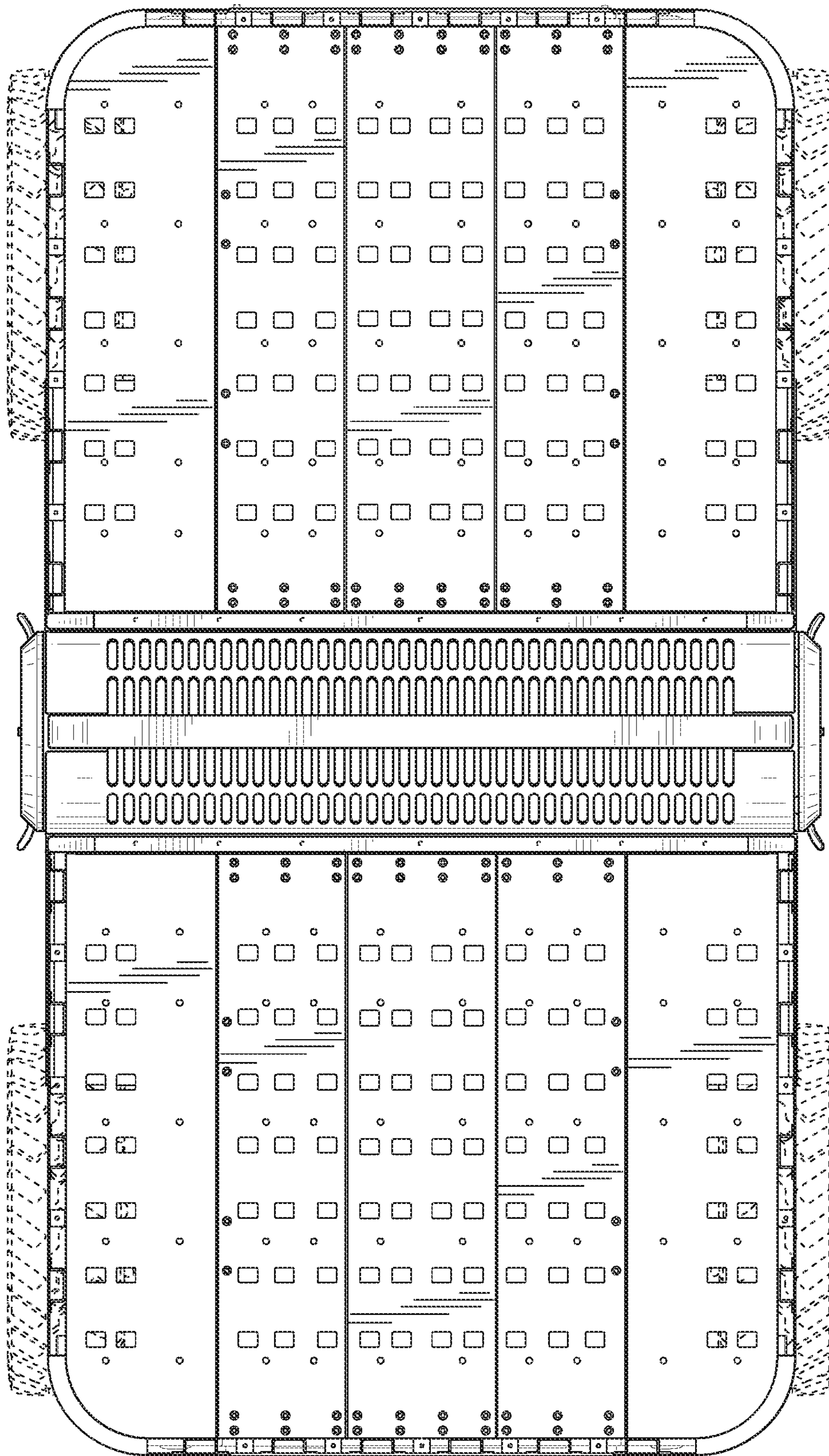


FIG. 2

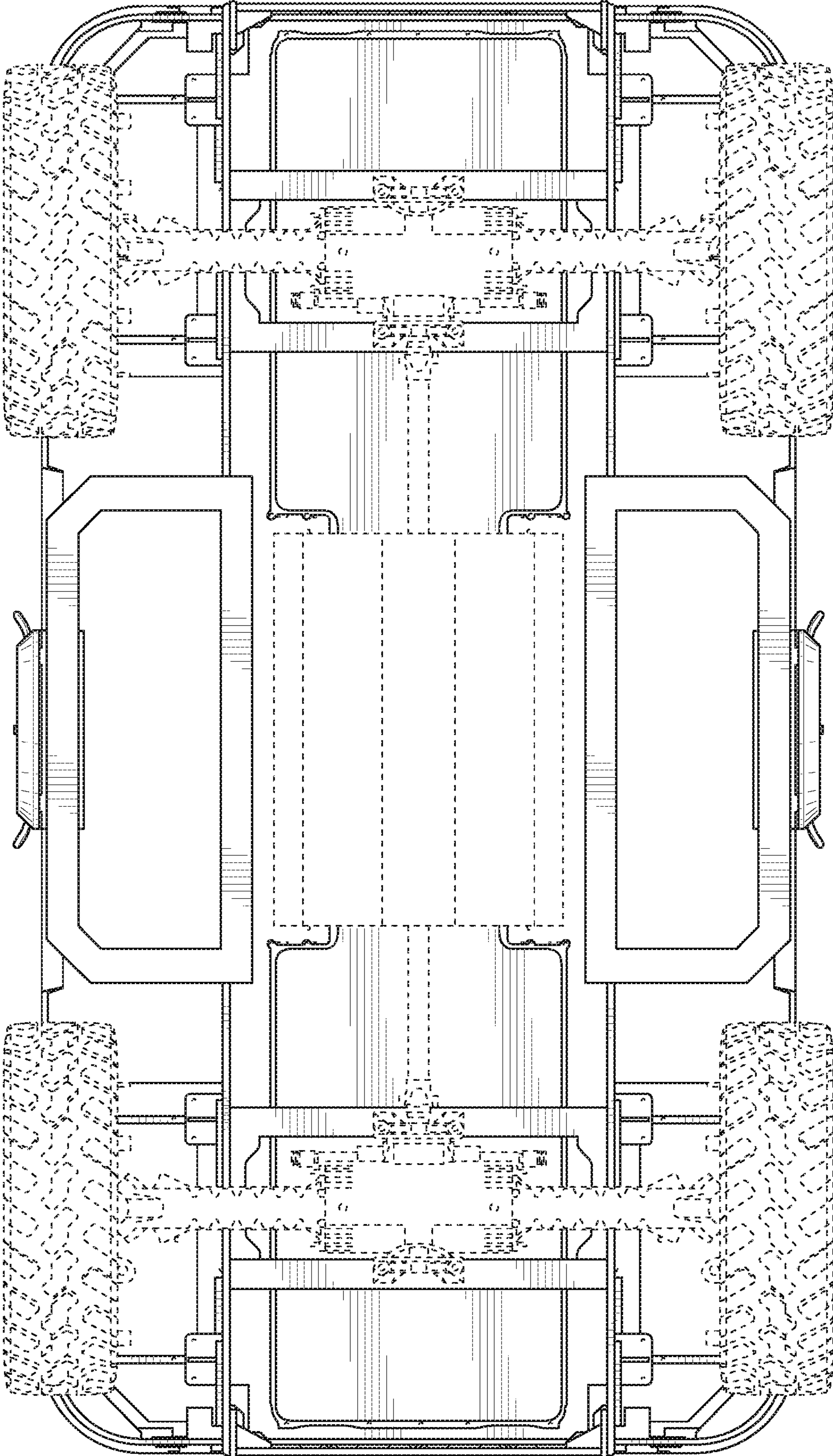


FIG. 3

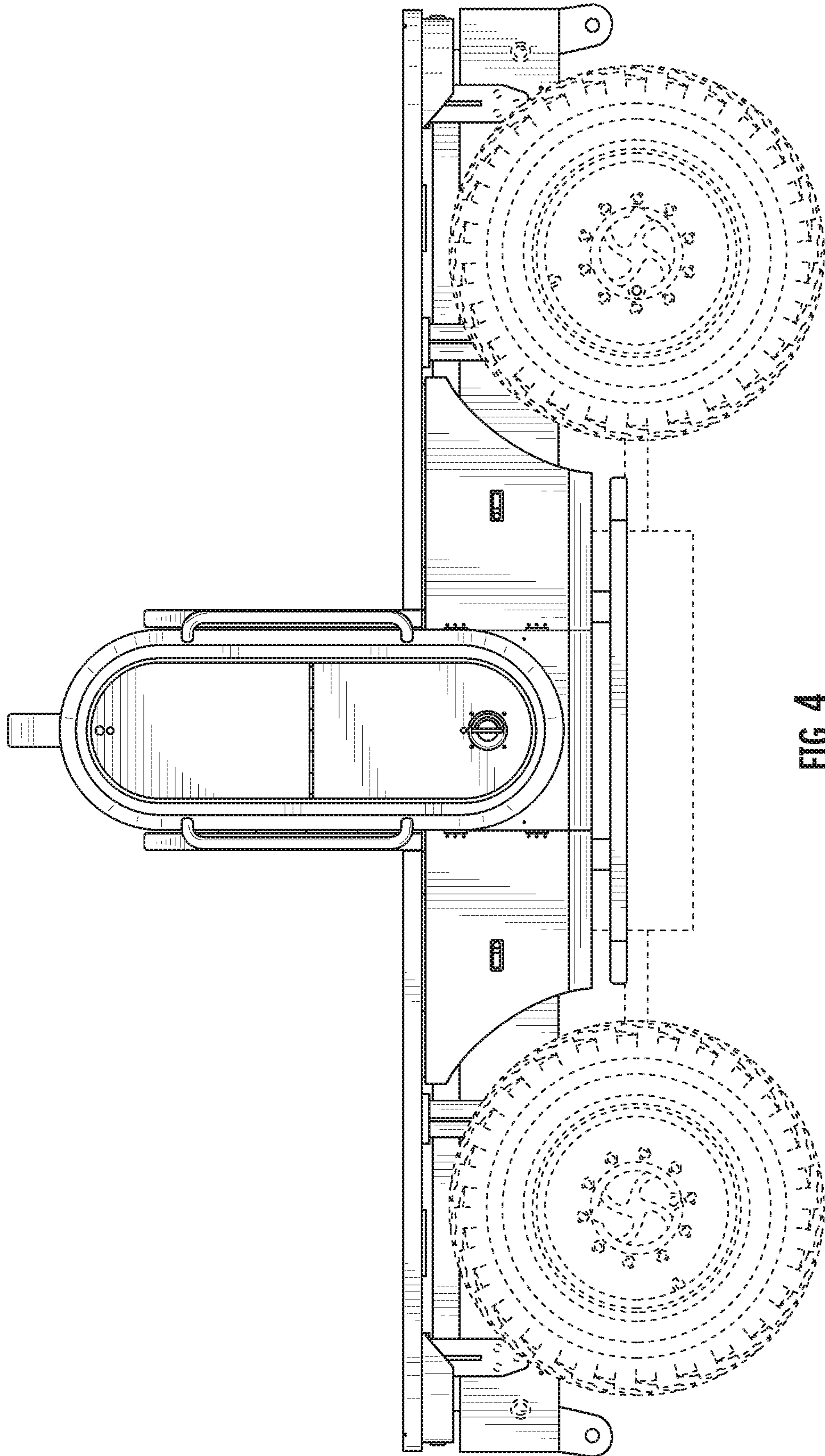


FIG. 4

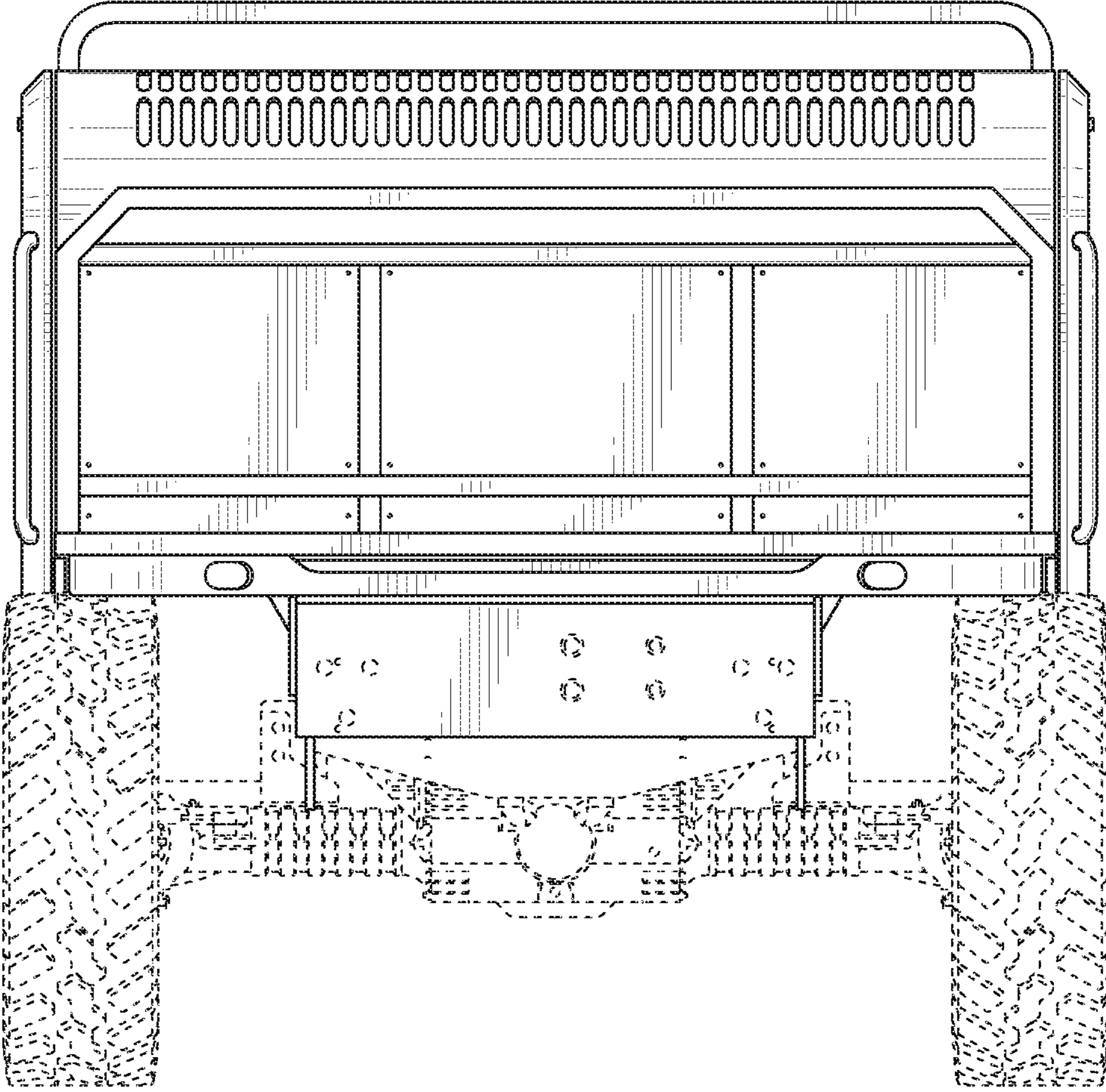


FIG. 5