



US00D874334S

(12) **United States Design Patent** (10) **Patent No.:** **US D874,334 S**  
**Dannar et al.** (45) **Date of Patent:** **\*\* Feb. 4, 2020**

(54) **VEHICLE**  
(71) Applicants: **Gary Don Dannar**, Muncie, IN (US);  
**Daniel Steven Genord**, South Lyon, MI (US)  
(72) Inventors: **Gary Don Dannar**, Muncie, IN (US);  
**Daniel Steven Genord**, South Lyon, MI (US)  
(73) Assignee: **DD Dannar, LLC**, Muncie, IN (US)  
(\*\*) Term: **15 Years**

D632,613 S \* 2/2011 Allaire ..... D12/12  
7,891,446 B2 2/2011 Couture et al.  
8,593,102 B2 11/2013 McGuire et al.  
8,602,153 B2 12/2013 Osswald et al.  
9,648,808 B2 5/2017 Force  
9,780,579 B2 10/2017 Frankenberger  
D849,598 S \* 5/2019 Schroeder ..... D12/14  
D858,351 S \* 9/2019 Schroeder ..... D12/14  
2009/0171482 A1 7/2009 Mindemann et al.  
2010/0206354 A1 8/2010 Greene, Jr. et al.  
2014/0285005 A1 9/2014 Casteel  
2015/0045992 A1 2/2015 Ashby et al.  
2017/0174092 A1 6/2017 Kohnke  
2017/0240008 A1\* 8/2017 Garagashyan ..... B60F 3/00  
2018/0057004 A1 3/2018 Muldoon et al.

(21) Appl. No.: **29/649,485**  
(22) Filed: **May 30, 2018**  
(51) **LOC (12) Cl.** ..... **12-14**  
(52) **U.S. Cl.**  
USPC ..... **D12/1**  
(58) **Field of Classification Search**  
USPC ..... D12/1, 2, 3, 4, 5, 14; D15/10, 11, 16,  
D15/199  
CPC ..... B62D 35/00; B62D 39/00; B62D 47/00;  
B62D 47/003; B62D 63/02; B62D  
33/0617; B62D 33/00; A01B 59/02; B60L  
200/22; B60Y 2200/86; B60Y 2200/91;  
B60P 1/00; B60P 1/003; B60P 9/00;  
B60R 21/13; B66F 9/22; B66F 9/063;  
B61B 13/00; B25J 5/007; B25J 5/005  
See application file for complete search history.

**OTHER PUBLICATIONS**

<http://www.wrightimp.com/Precision-Ag/Precision-Ag-Product.aspx> dated Apr. 7, 2018.

\* cited by examiner

*Primary Examiner* — T Chase Nelson  
*Assistant Examiner* — Ania Aman  
(74) *Attorney, Agent, or Firm* — Fox Rothschild LLP

(57) **CLAIM**

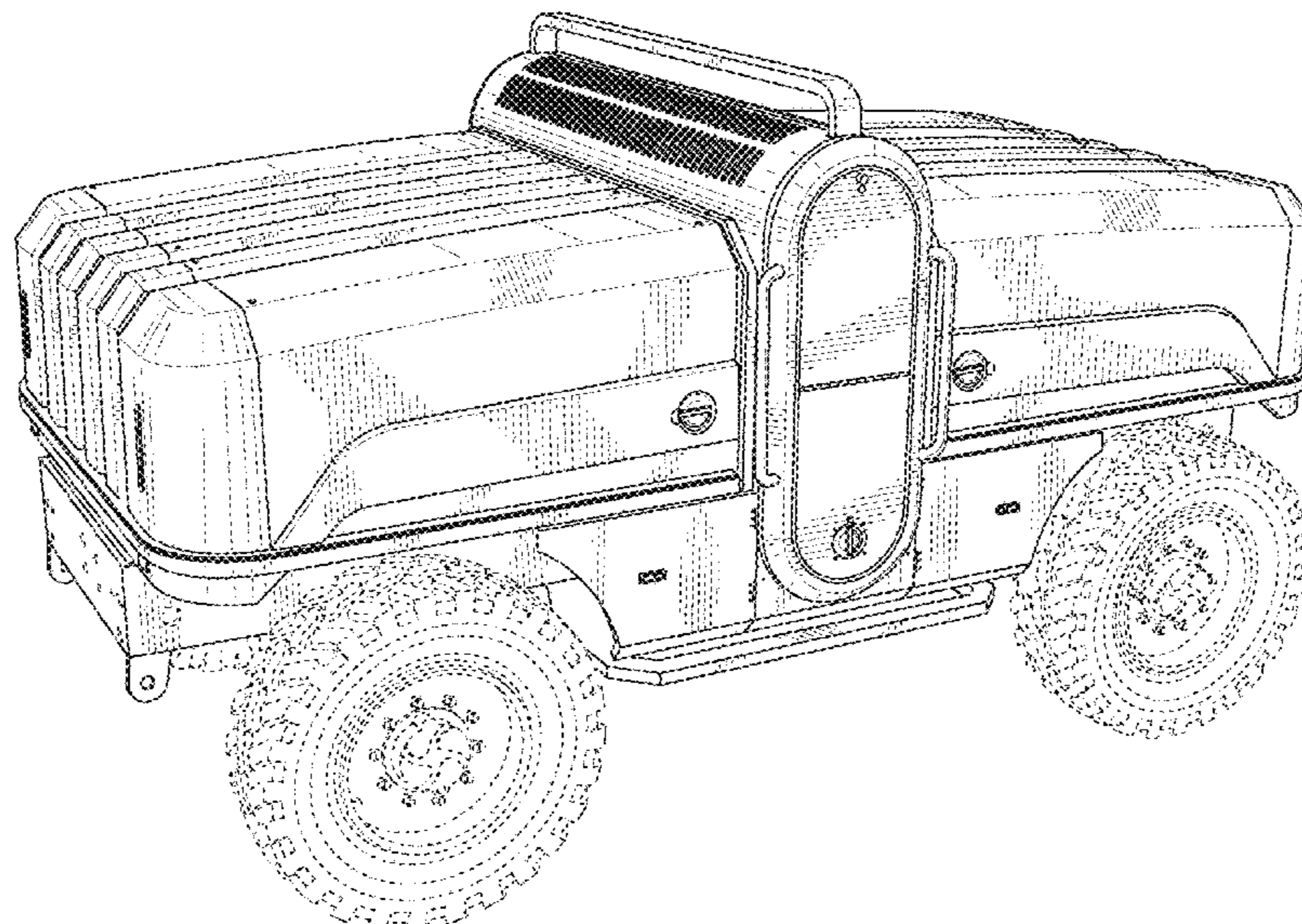
The ornamental design for a vehicle, shown and described.

**DESCRIPTION**

FIG. 1 is a perspective view of a vehicle showing our new design;  
FIG. 2 is a front elevational view thereof;  
FIG. 3 is a rear elevational view thereof;  
FIG. 4 is a right side elevational view, the left side elevational view being identical thereto;  
FIG. 5 is a top plan view thereof; and,  
FIG. 6 is a bottom plan view thereof.  
The broken lines shown in the drawings depict portions of the vehicle that form no part of the claimed design.

**1 Claim, 6 Drawing Sheets**

(56) **References Cited**  
U.S. PATENT DOCUMENTS  
D176,040 S \* 11/1955 Schafler et al. .... D12/14  
D184,580 S \* 3/1959 Polhemus ..... D12/1  
5,521,588 A 5/1996 Kuhner et al.  
6,061,617 A 5/2000 Berger et al.  
7,230,819 B2 6/2007 Muchow et al.  
7,603,207 B2 10/2009 Abraham et al.  
7,634,350 B2 12/2009 Carlton et al.



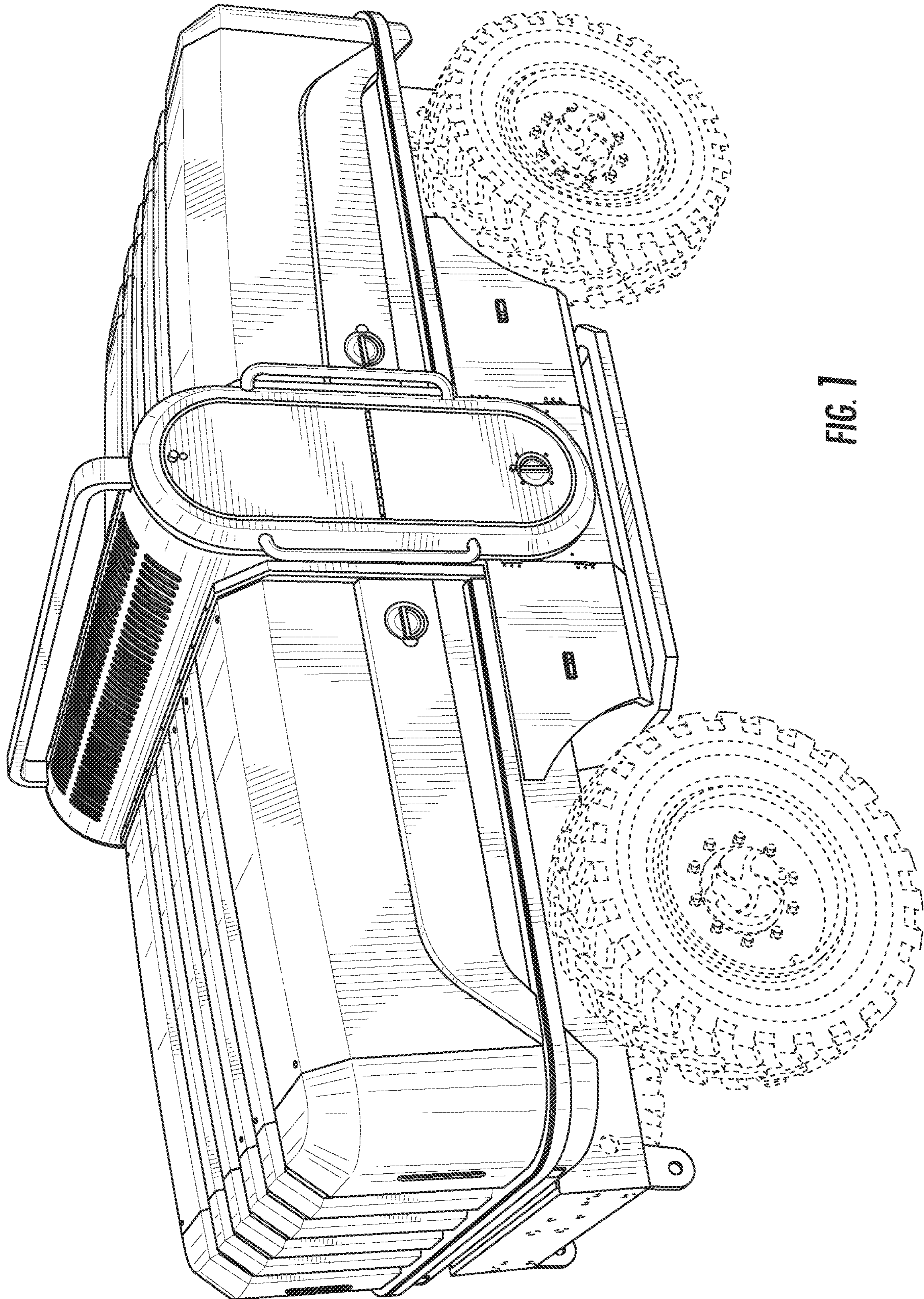


FIG. 1

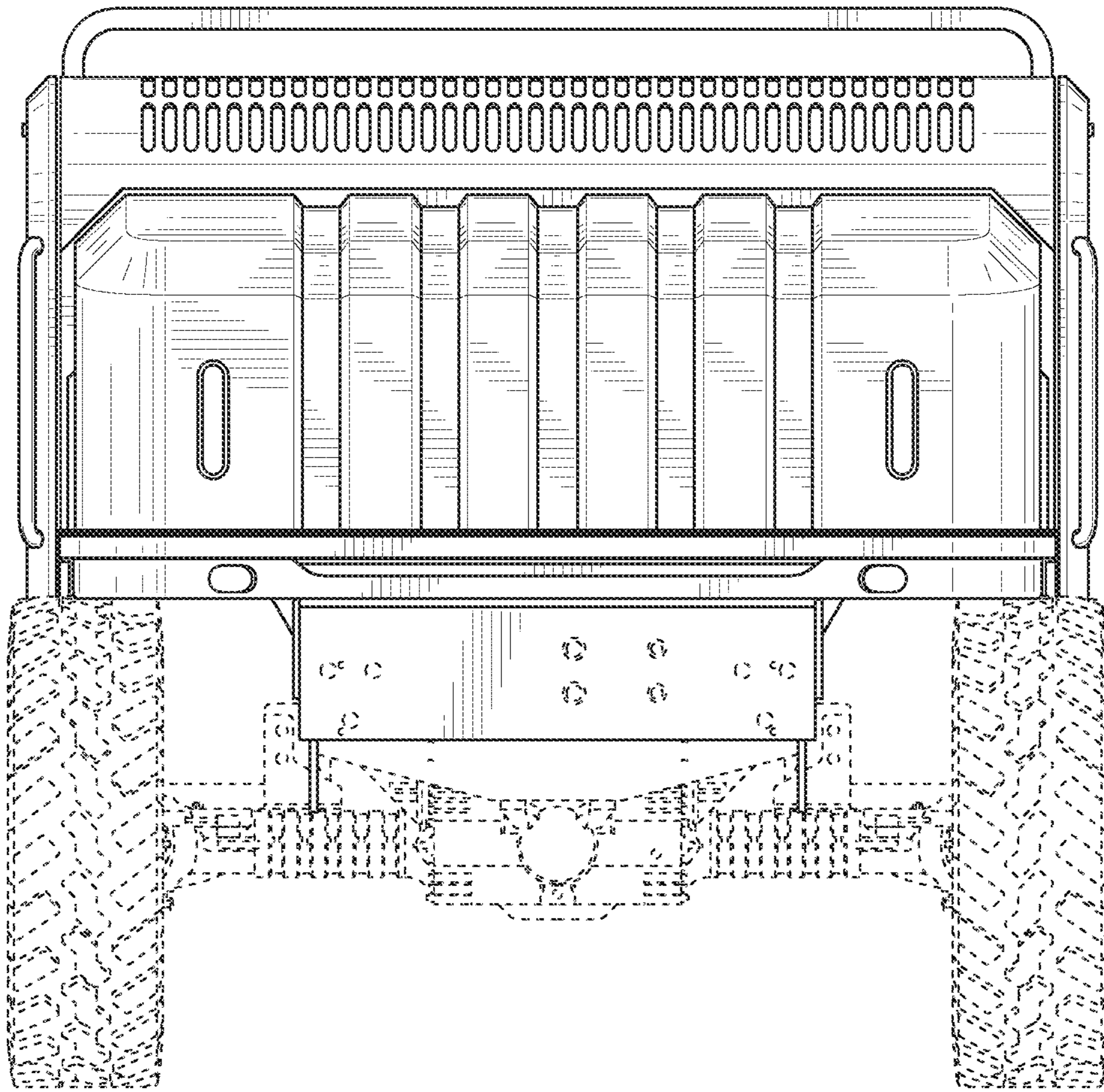


FIG. 2

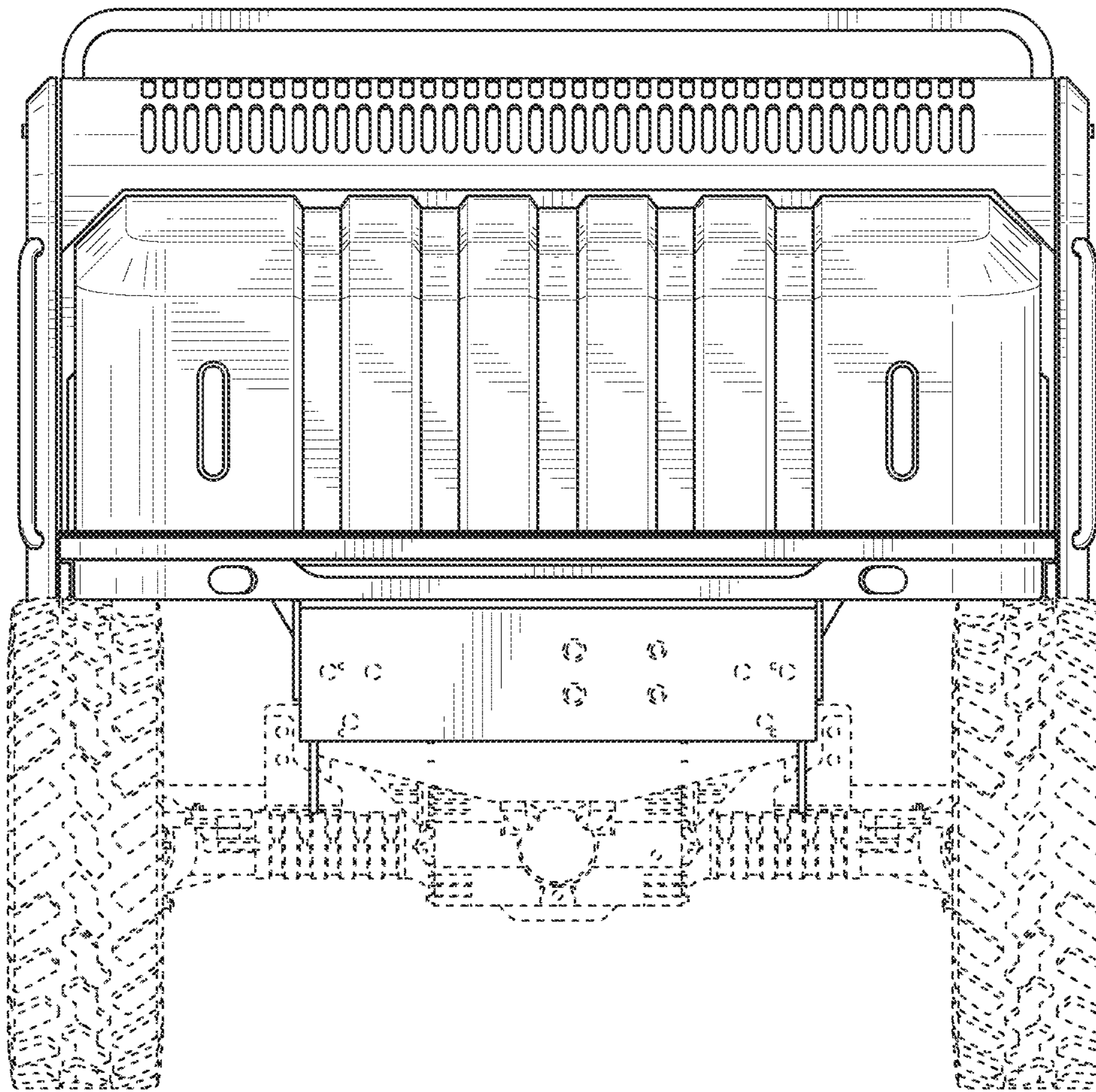


FIG. 3

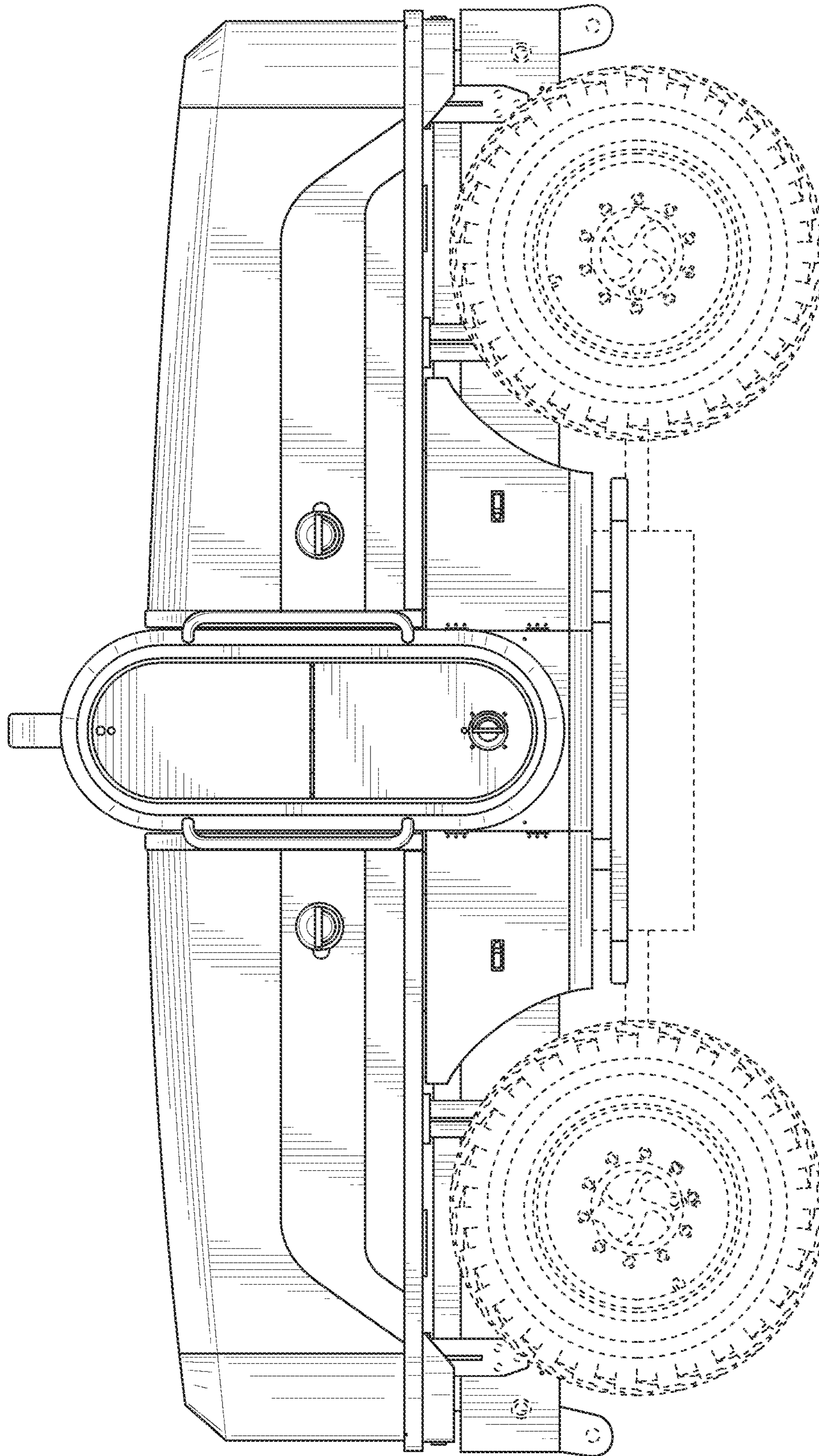


FIG. 4

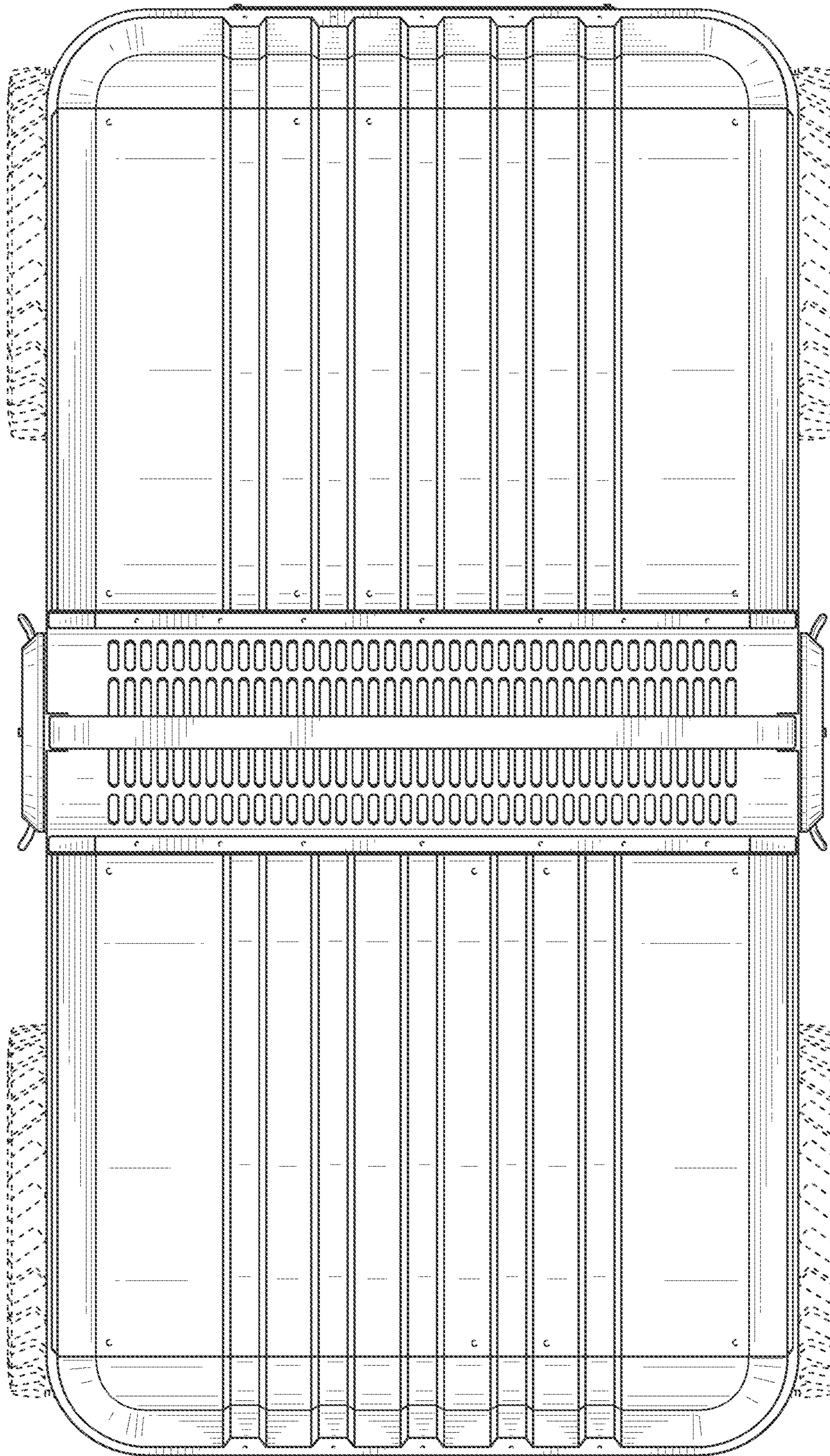


FIG. 5

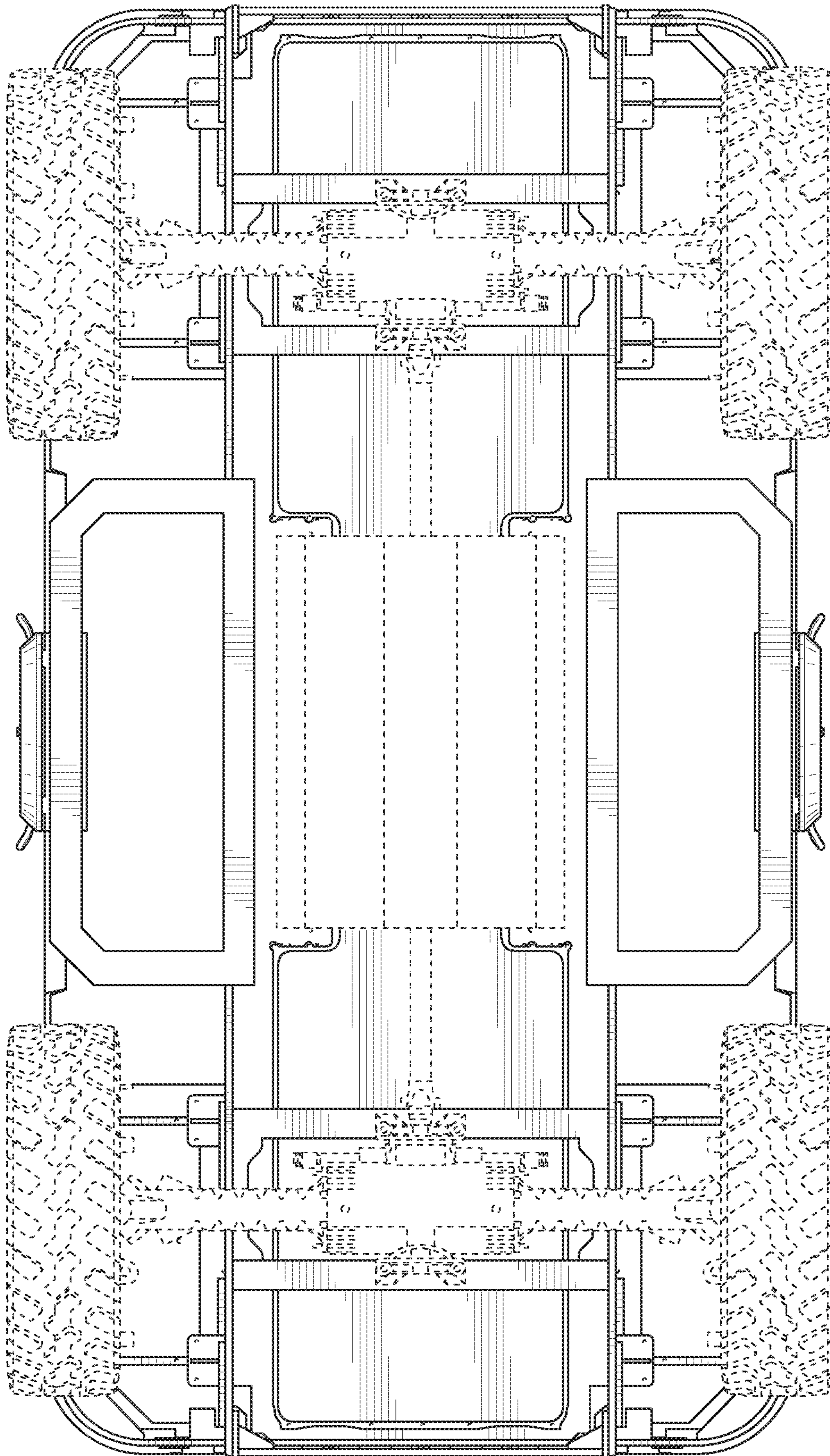


FIG. 6