



US00D874333S

(12) **United States Design Patent** (10) **Patent No.:** **US D874,333 S**
Gober (45) **Date of Patent:** **** Feb. 4, 2020**

(54) **MOBILE GARDENING DEVICE**

FOREIGN PATENT DOCUMENTS

(71) Applicant: **Larry Dan Gober**, Abbeville, AL (US)

GB 2294198 4/1996

(72) Inventor: **Larry Dan Gober**, Abbeville, AL (US)

Primary Examiner — Mark A Goodwin

(**) Term: **15 Years**

(74) *Attorney, Agent, or Firm* — Jonathan C. Hill; Jane M. Gipson; Bradley Arant Boult Cummings LLP

(21) Appl. No.: **29/686,530**

(57) **CLAIM**

The ornamental design for a mobile gardening device, as shown and described.

(22) Filed: **Apr. 4, 2019**

DESCRIPTION

(51) **LOC (12) Cl.** **11-02**

(52) **U.S. Cl.**

USPC **D11/155**

(58) **Field of Classification Search**

USPC D11/144, 155, 149, 143; D8/1, 2;
D6/403; D25/100; 47/70, 17

CPC A01G 9/022; A01G 9/121; A01G 9/02;
A01G 9/249; A01G 9/1423; A01G 9/143;
A01G 27/04; A01G 9/16; A01G 9/20;
A01G 17/06; A01G 17/14; A01G 17/08;
A01G 31/02; A47G 7/04; A47G 7/00;
A47G 7/045; Y02A 40/254; Y02P 60/216

See application file for complete search history.

FIG. 1 is a side perspective view of a mobile gardening device that shows my new design.

FIG. 2 is a second side perspective view of the mobile gardening device shown in FIG. 1, wherein a plurality of optional potting containers have been placed on the tray of the device.

FIG. 3 is a front view of the mobile gardening device shown in FIG. 1.

FIG. 4 is a second front view of the mobile gardening device shown in FIG. 1, wherein an optional large potting container has been placed on the tray of the device.

FIG. 5 is left side view of the mobile gardening device shown in FIG. 1.

FIG. 6 is a second left side view of the mobile gardening device shown in FIG. 1, wherein a plurality of optional potting containers have been placed on the tray of the device.

FIG. 7 is a right side view of the mobile gardening device shown in FIG. 1.

FIG. 8 is a bottom perspective view of the mobile gardening device shown in FIG. 1.

FIG. 9 is a bottom detail view of a portion of the underside of the mobile gardening device shown in FIG. 1; and, FIG. 10 is a top view of the mobile gardening device shown in FIG. 1.

The broken lines in the Figures do not form a part of the claimed design.

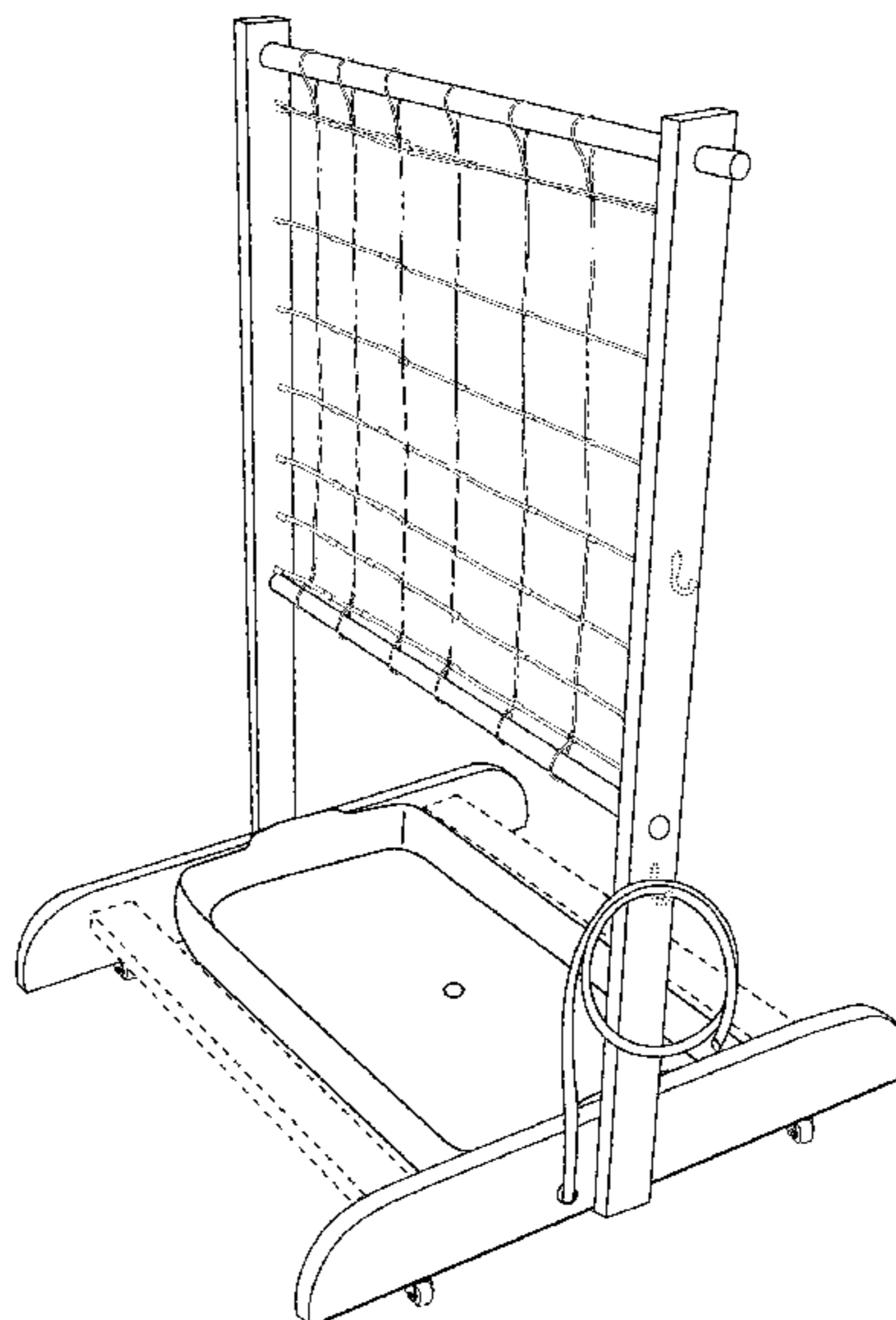
(56) **References Cited**

U.S. PATENT DOCUMENTS

780,627 A *	1/1905	Umbehend	A47G 7/07 47/41.11
1,820,843 A	8/1931	Spitz		
3,041,782 A	7/1962	Bachman		
3,528,676 A	9/1970	Marcandalli		
3,676,953 A	7/1972	Delogne		
D236,569 S *	9/1975	Kramer	D11/156
D242,571 S *	11/1976	Dunn	D27/125
4,065,876 A	1/1978	Moffett, Jr.		
4,631,861 A	12/1986	Wuthrich		
4,638,595 A	1/1987	Rivero		
4,685,246 A	8/1987	Fennell		

(Continued)

1 Claim, 9 Drawing Sheets



(56)

References Cited

U.S. PATENT DOCUMENTS

4,813,176 A * 3/1989 Takayasu A01G 31/02
47/59 R
4,841,670 A * 6/1989 Bitter A01G 7/045
47/47
D304,700 S * 11/1989 Holman D11/155
D305,800 S * 1/1990 Mottmiller D25/100
5,067,275 A * 11/1991 Constance A01G 31/02
47/59 R
5,094,031 A 3/1992 Lee
D359,930 S * 7/1995 Tuttle D11/155
D369,121 S * 4/1996 Morin D11/144
D381,600 S * 7/1997 Yurkovic D11/143
D388,362 S * 12/1997 Tuttle D11/155
5,752,341 A * 5/1998 Goldfarb A01G 9/12
47/47
D423,983 S * 5/2000 Goldman D11/143
6,128,853 A 10/2000 Klonel et al.
6,594,951 B1 7/2003 Reynolds
D581,182 S * 11/2008 Kurtz D6/403
D587,167 S * 2/2009 Kurtz D11/155
D587,627 S * 3/2009 Kurtz D11/155
D590,181 S * 4/2009 Kurtz D6/405
D590,296 S * 4/2009 Kurtz D11/155
D593,767 S * 6/2009 Kurtz D6/405

D606,773 S * 12/2009 Copp D6/403
D623,085 S 9/2010 Rackley et al.
D658,538 S * 5/2012 Korzeniowski D11/143
D658,540 S * 5/2012 Korzeniowski D11/153
D685,204 S * 7/2013 Schemmel D6/403
D692,795 S * 11/2013 Connell D11/143
8,776,432 B2 * 7/2014 Nell, Jr. A01G 31/02
47/62 R
D711,282 S * 8/2014 Connell D11/149
D750,996 S * 3/2016 Butler D11/155
D811,180 S * 2/2018 Thomas D8/1
2001/0047617 A1 * 12/2001 Blossom A01G 31/02
47/62 R
2006/0248797 A1 11/2006 White et al.
2007/0151150 A1 7/2007 Sandoval
2007/0214718 A1 9/2007 Park
2008/0163544 A1 7/2008 Boylan
2010/0320110 A1 12/2010 Dougherty
2013/0019527 A1 * 1/2013 Howe-Sylvain A01G 31/06
47/62 A
2014/0047765 A1 2/2014 Wescott et al.
2014/0083006 A1 3/2014 Loser
2015/0101248 A1 * 4/2015 Adkinson A01G 27/00
47/70
2019/0037779 A1 * 2/2019 Chirco A01G 9/12
2019/0059240 A1 * 2/2019 Scott A01G 9/022

* cited by examiner

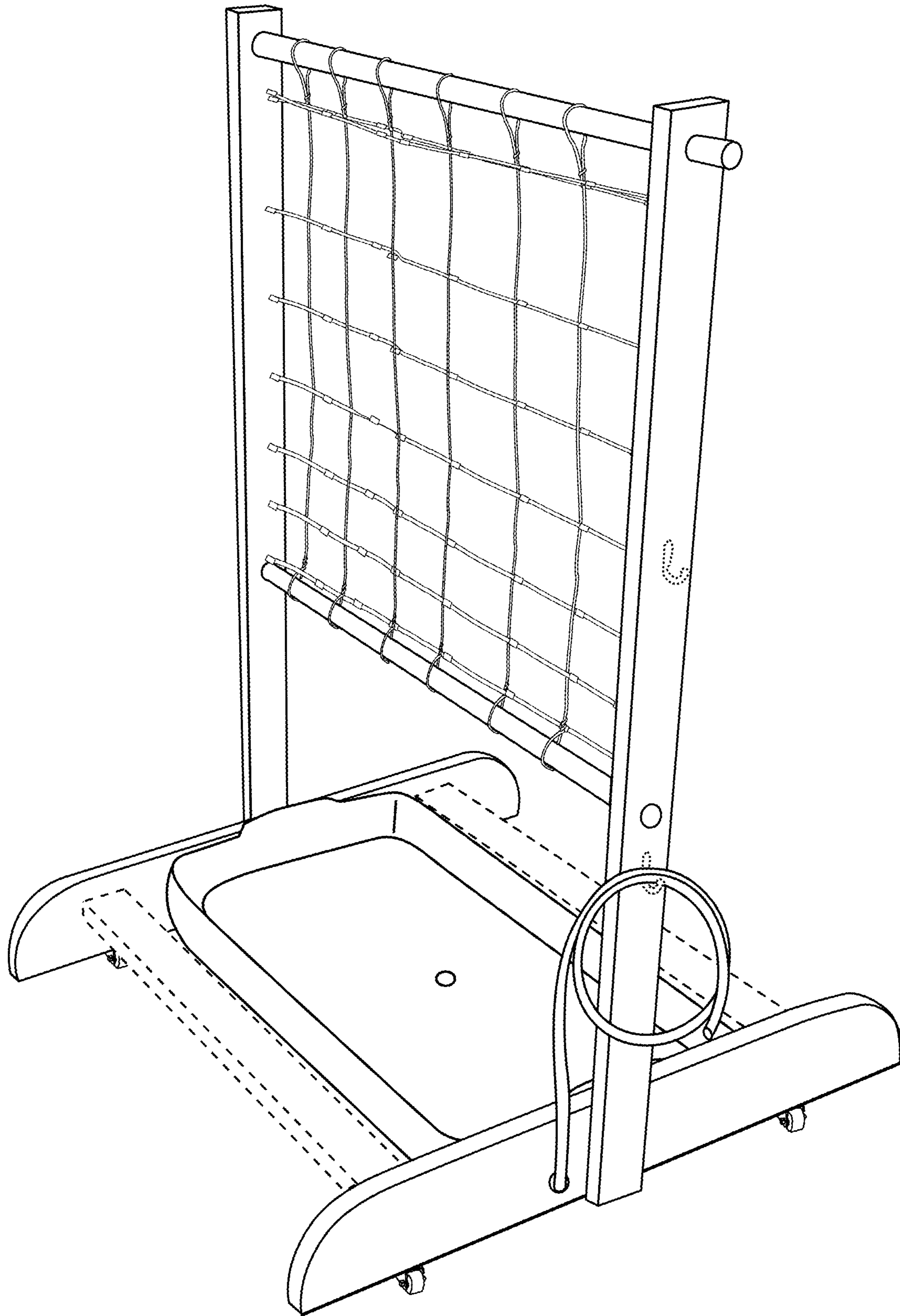


FIG. 1

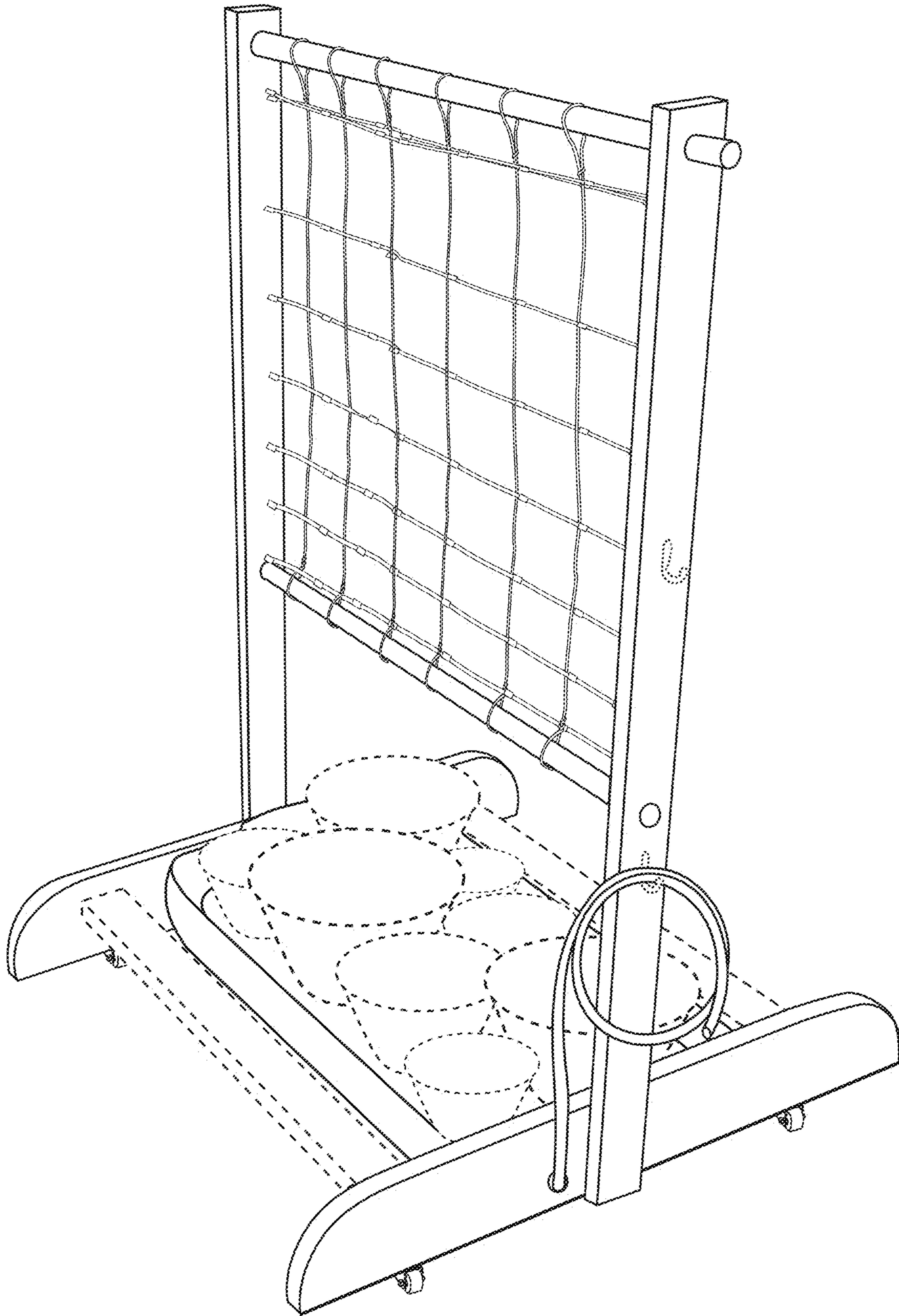


FIG. 2

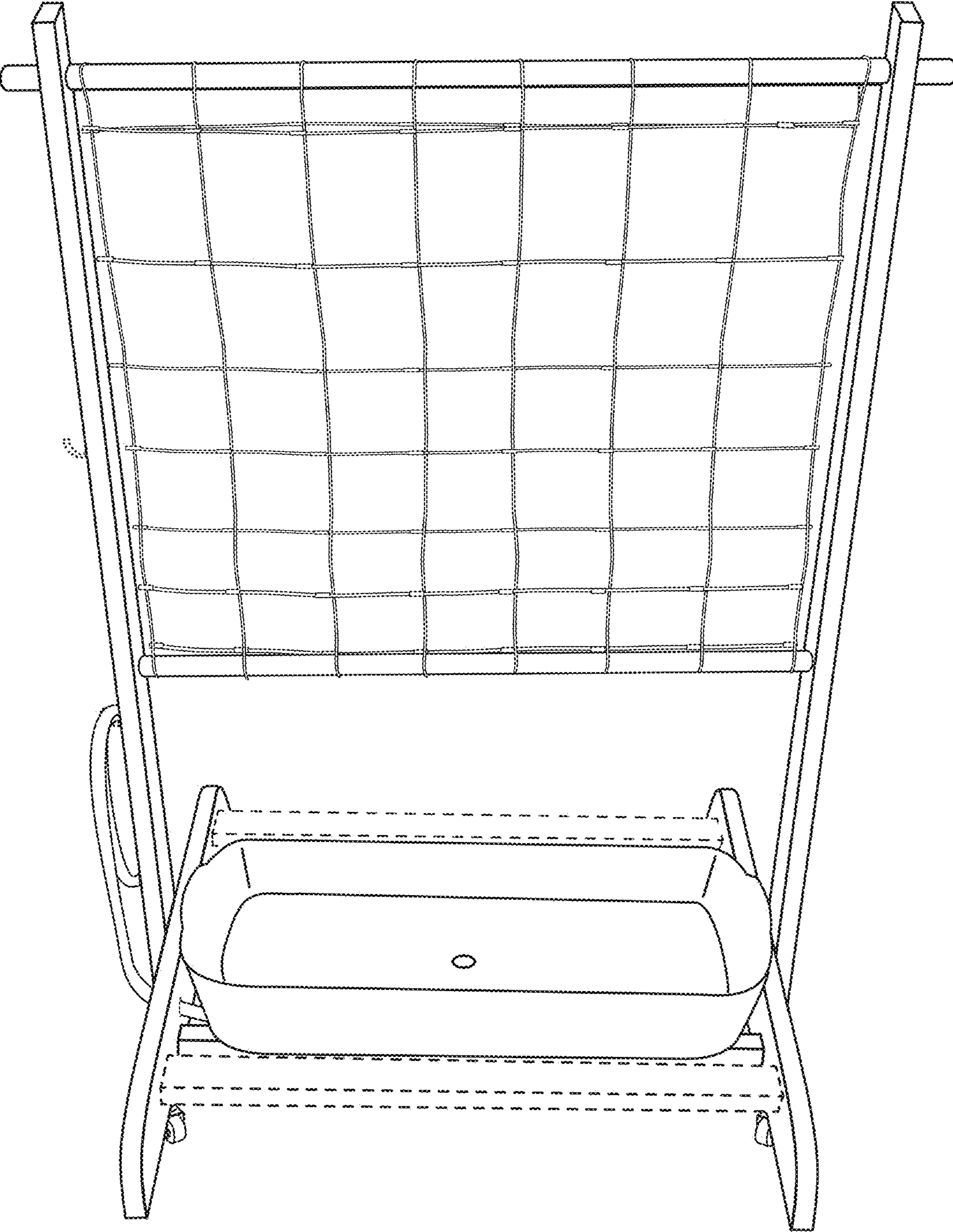


FIG. 3

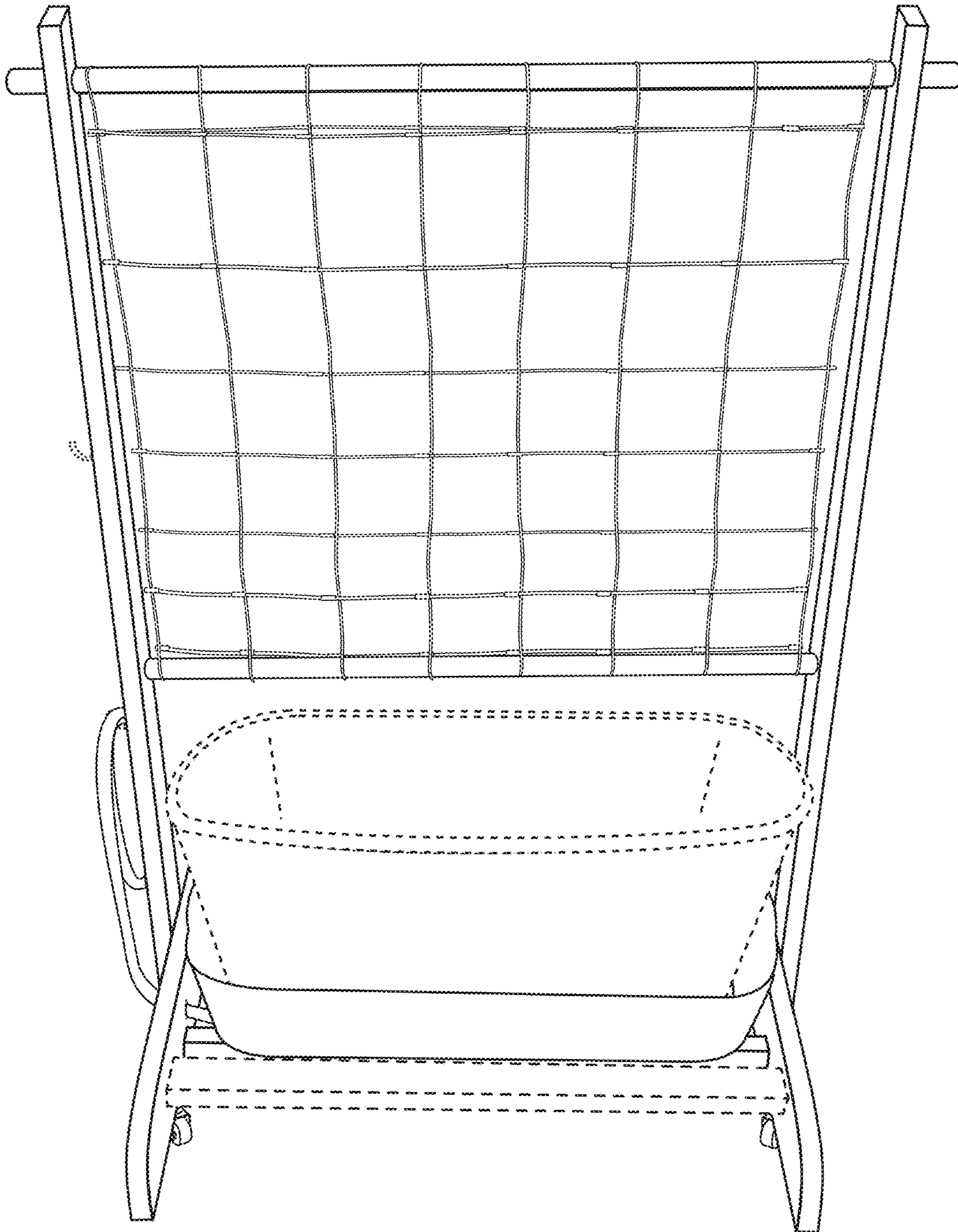


FIG. 4

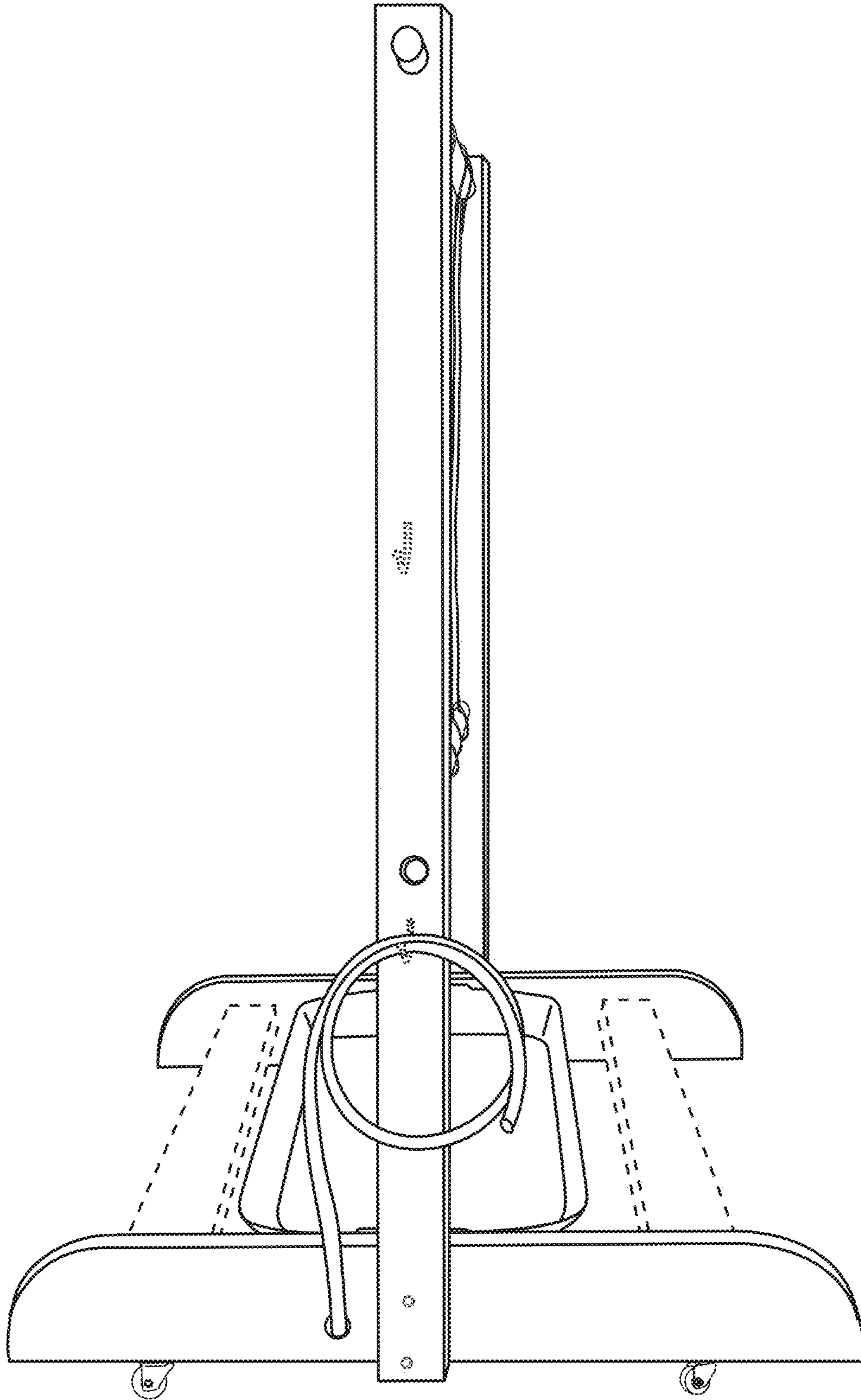


FIG. 5

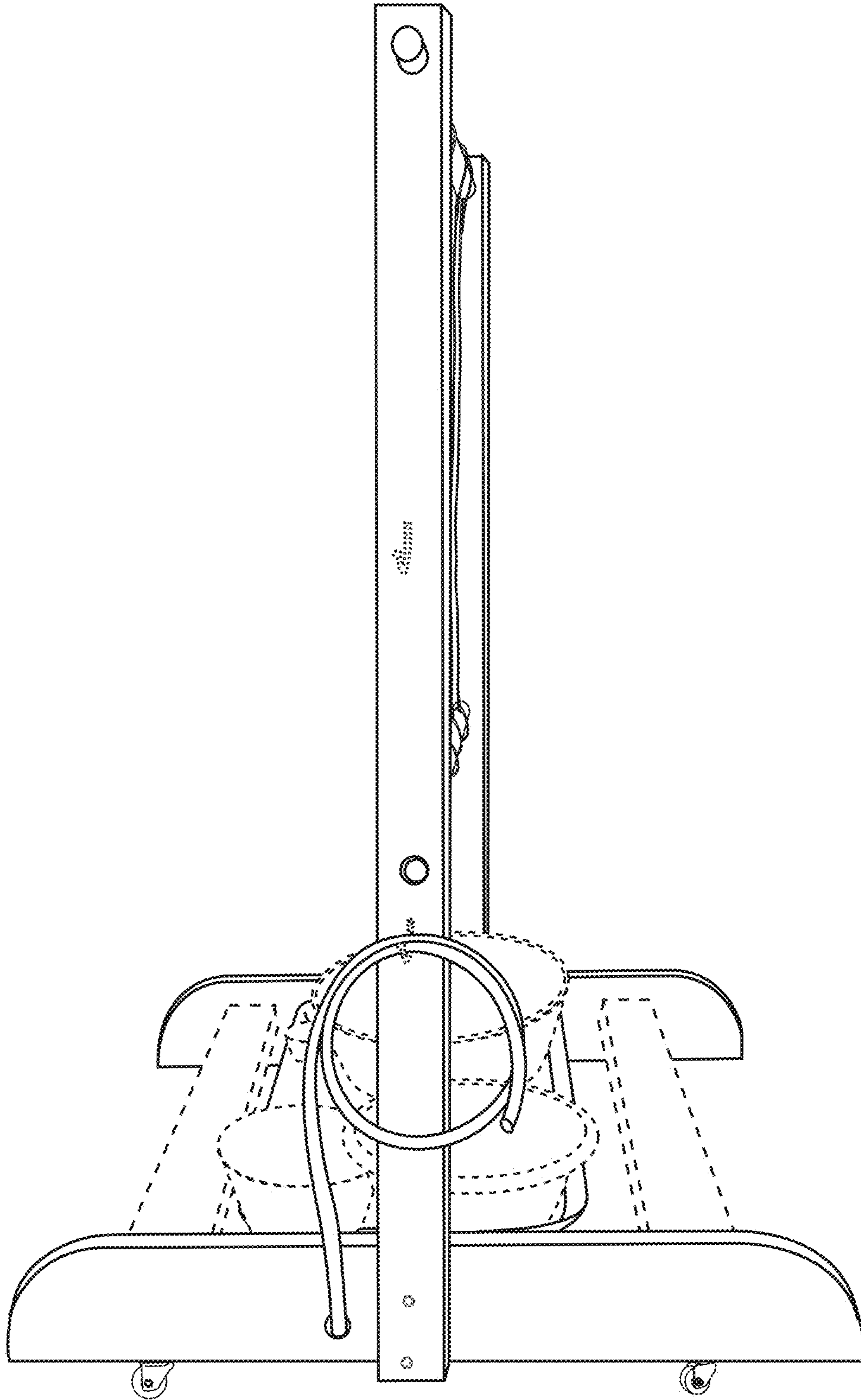


FIG. 6

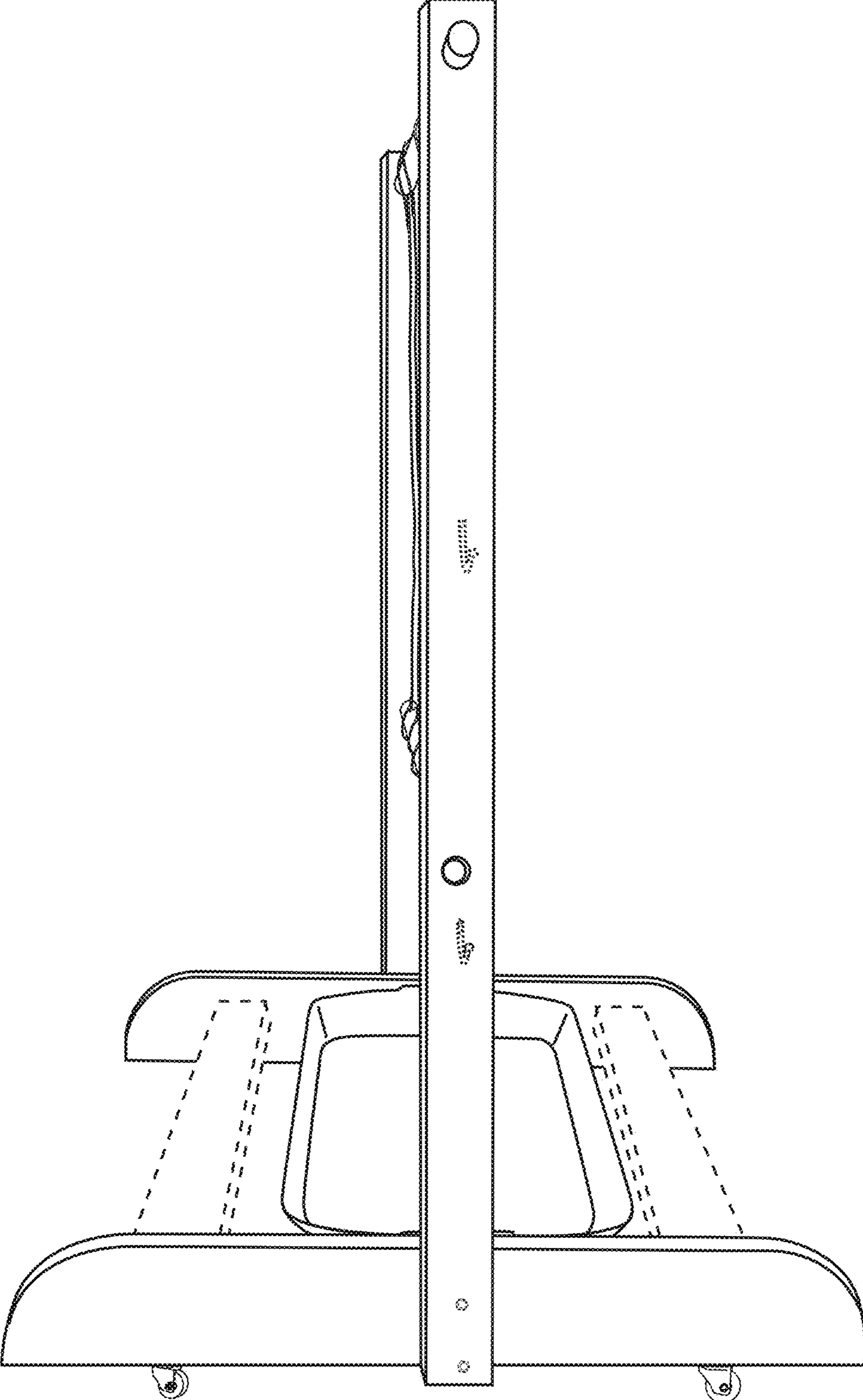


FIG. 7

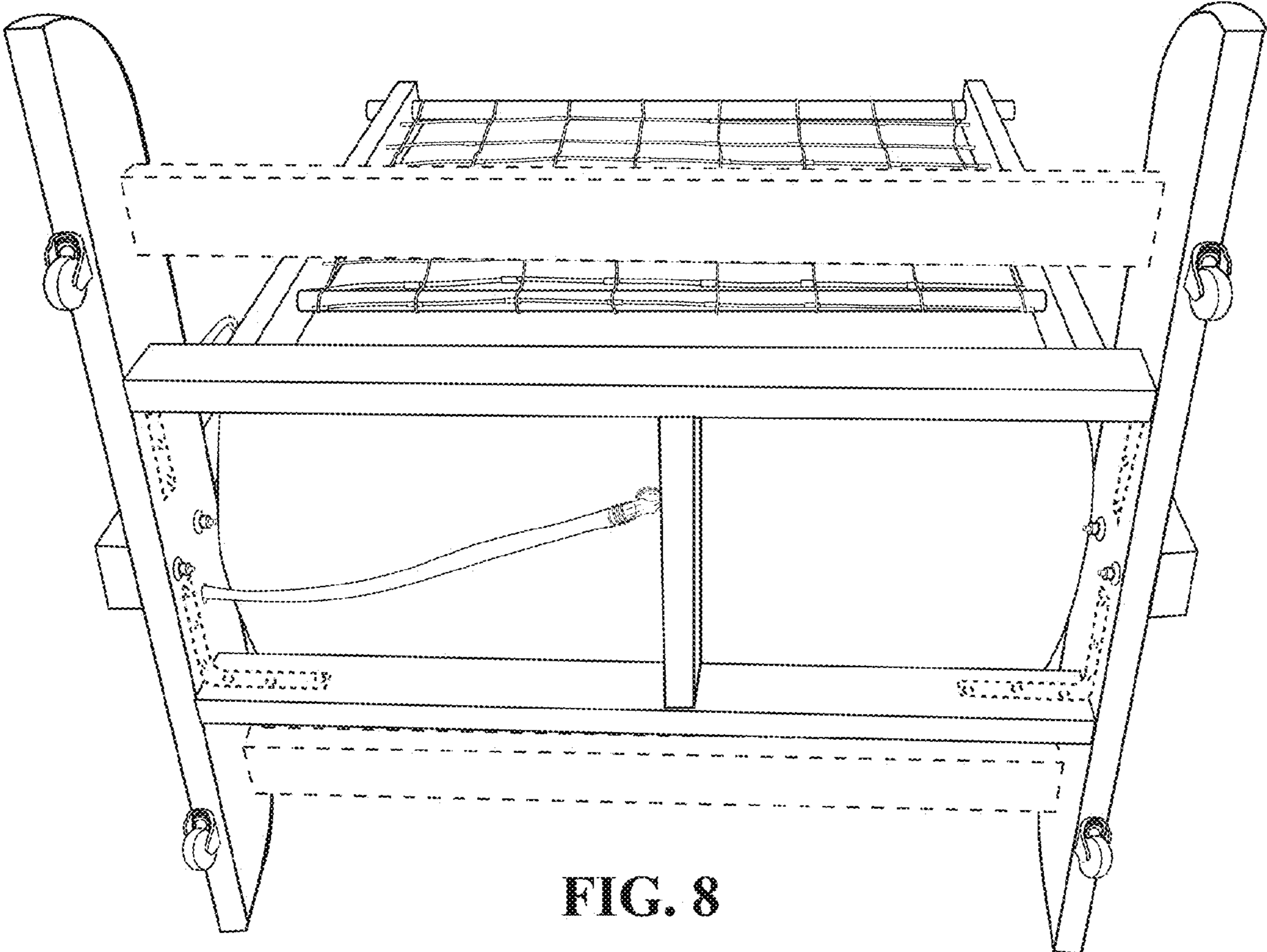


FIG. 8

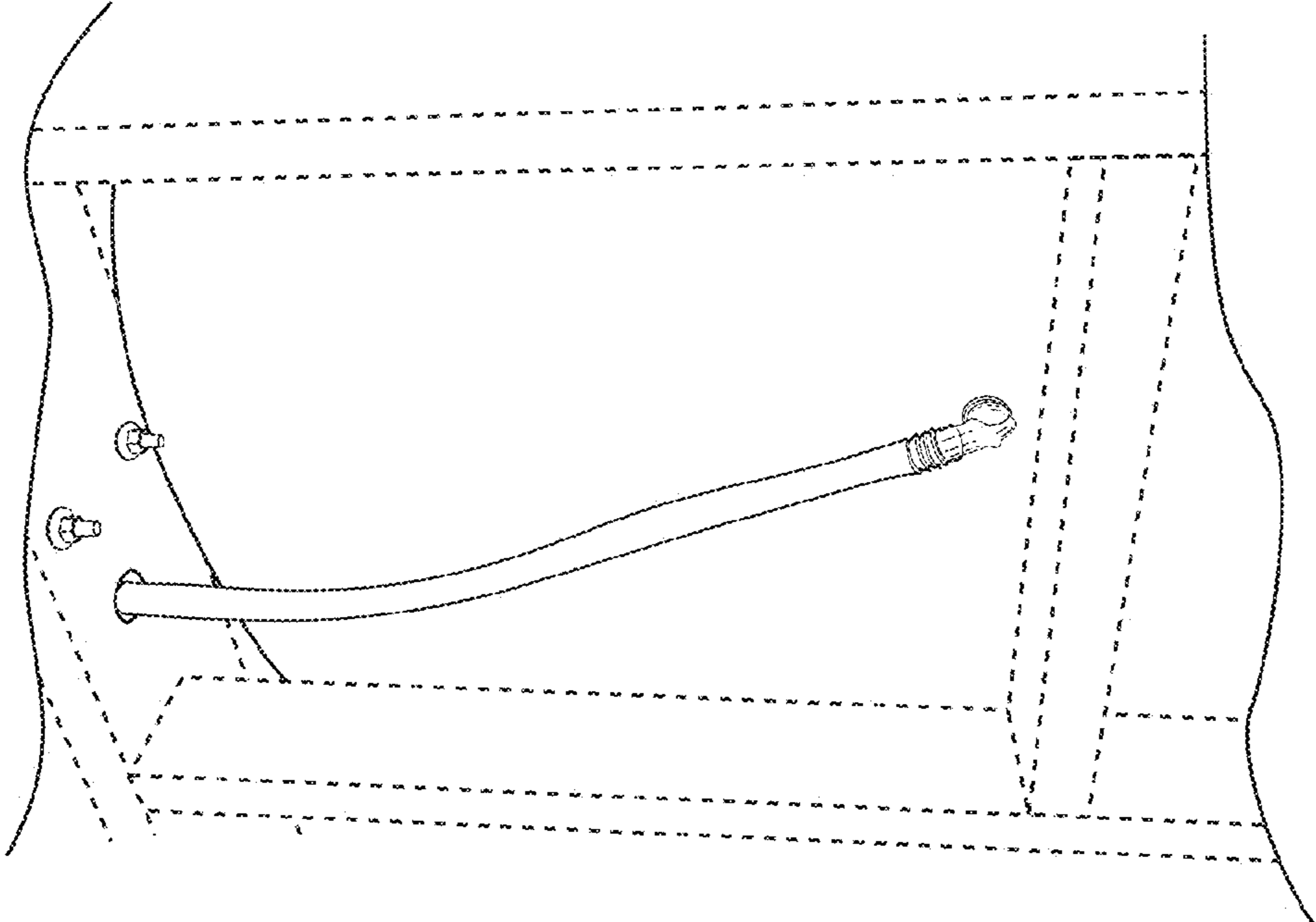


FIG. 9

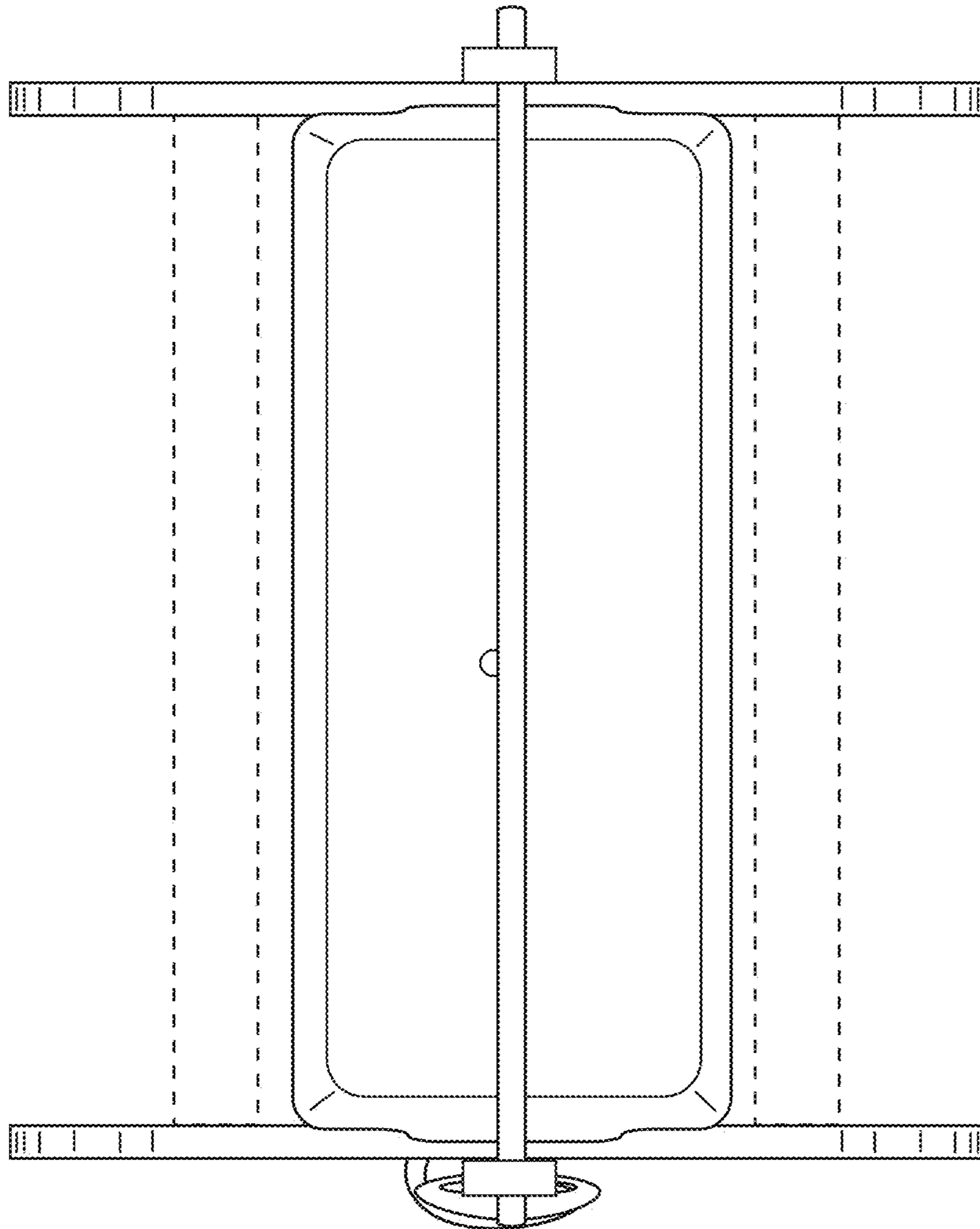


FIG. 10