



US00D874332S

(12) **United States Design Patent** (10) **Patent No.:** **US D874,332 S**
Lowy (45) **Date of Patent:** **** Feb. 4, 2020**

(54) **SEMI-CIRCULAR SCULPTURE WITH SOLAR ARRAY FOR ILLUMINATION**

(71) Applicant: **Steven P. Lowy**, Kent, CT (US)

(72) Inventor: **Steven P. Lowy**, Kent, CT (US)

(**) Term: **15 Years**

(21) Appl. No.: **29/583,052**

(22) Filed: **Nov. 2, 2016**

(51) **LOC (12) Cl.** **11-02**

(52) **U.S. Cl.**
USPC **D11/131**

(58) **Field of Classification Search**
USPC D11/131, 152-154; D25/113; D26/24,
D26/72, 73, 85
See application file for complete search history.

(56) **References Cited**

U.S. PATENT DOCUMENTS

313,424 A	3/1885	Hughes	
478,765 A	7/1892	Shaw	
D157,362 S *	2/1950	Francis	312/324
3,610,918 A	10/1971	Barlow	
3,790,772 A	2/1974	Newman	
4,626,968 A	12/1986	Von Kohorn	
D352,481 S	11/1994	Williams	
D355,869 S *	2/1995	Hepperly, Jr.	D11/157
D364,242 S *	11/1995	Fiorato	D26/85
D365,849 S *	1/1996	Greer, Jr.	D19/117
5,662,153 A *	9/1997	Rosenblatt	E06B 9/262 160/134
5,955,156 A	9/1999	Hermanson	
D444,590 S	7/2001	Lee	
6,394,282 B1	5/2002	Pan	
D465,301 S	11/2002	Dolan	
6,626,553 B2	9/2003	Zhao	

(Continued)

OTHER PUBLICATIONS

Solar Sculptures by Steven Lowy Studios, available Aug. 30, 2018, [online], [site visited Sep. 25, 2018]. Available from internet, <URL: <https://web.archive.org/web/20180830004844/http://www.stevenlowy.com/solar/index.html> (Year: 2018).*

(Continued)

Primary Examiner — W. A. Teddy Falloway

(74) *Attorney, Agent, or Firm* — Edwin A Skoch, II

(57) **CLAIM**

The ornamental design for a semi-circular sculpture with solar array for illumination, as shown and described.

DESCRIPTION

FIG. 1 is a top side perspective view of a semi-circular sculpture with solar array for illumination, showing my new design.

FIG. 2 is a transverse cross-sectional view thereof, taken along the center thereof.

FIG. 3 is a longitudinal cross-sectional view thereof, taken along the center thereof.

FIG. 4 is an exploded view thereof, shown with side panels removed for completeness of illustration.

FIG. 5 is a top plan view thereof.

FIG. 6 is a bottom plan view thereof.

FIG. 7 is an end side view thereof, the opposite side being identical.

FIG. 8 is another side view thereof.

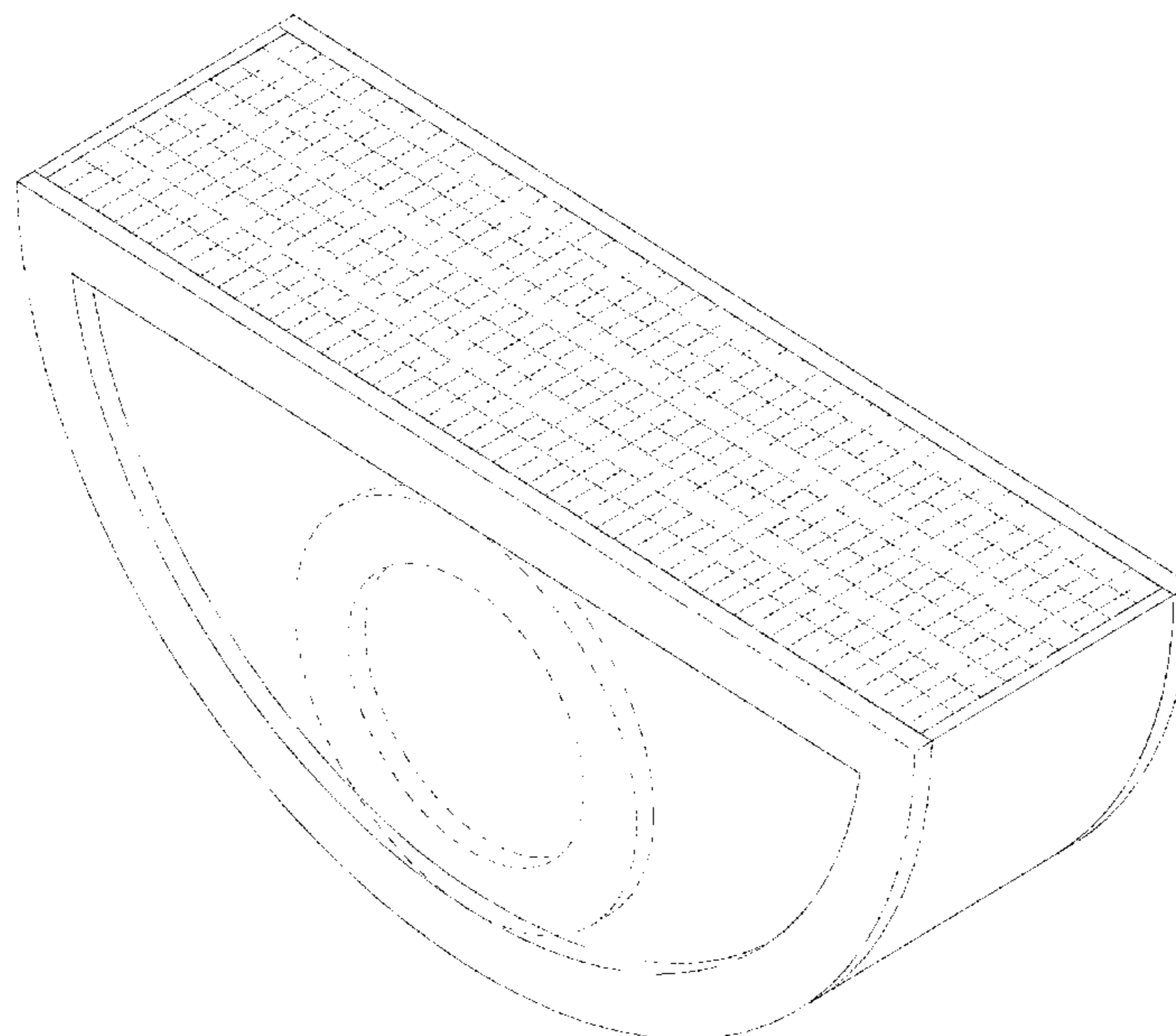
FIG. 9 is another side view thereof.

FIG. 10 is another side view thereof; and,

FIG. 11 is another top side perspective view thereof.

The broken line subject matter, including the solar array grid atop the sculpture, illustrates portions of the semi-circular sculpture with solar array for illumination that form no part of the claimed design.

1 Claim, 6 Drawing Sheets



(56)

References Cited

U.S. PATENT DOCUMENTS

D481,484 S 10/2003 Cuevas
 D481,823 S 11/2003 McClow
 D482,157 S 11/2003 McClow
 6,905,229 B2 6/2005 Fan
 D524,673 S * 7/2006 Dicke D10/114.1
 D541,434 S * 4/2007 Placuzzi D25/113
 D544,131 S 6/2007 Blackman
 D545,460 S * 6/2007 Mason, II D12/317
 D556,365 S 11/2007 Miranda
 D565,232 S * 3/2008 Butler D26/85
 D571,245 S * 6/2008 Dicke D10/114.1
 D606,232 S * 12/2009 Sabernig D26/85
 D606,697 S 12/2009 Verfuert
 D618,849 S 6/2010 Allegretti
 D626,273 S * 10/2010 Verelst D26/85
 D627,094 S * 11/2010 Verelst D26/85
 7,914,166 B2 3/2011 MacAlister
 D645,608 S 9/2011 Chen
 D650,124 S 12/2011 Chen
 D650,125 S 12/2011 Chen
 D662,250 S * 6/2012 Wauters D26/85
 D676,597 S 2/2013 Zhu

D683,064 S 5/2013 Tuck
 D695,445 S * 12/2013 Panchisin D26/118
 D729,429 S 5/2015 Arndt
 D810,344 S * 2/2018 Verelst D26/72
 D827,881 S * 9/2018 Hannula D26/28
 2008/0102963 A1 5/2008 Flagg

OTHER PUBLICATIONS

Urban Waterproof semi-circular outdoor wall wash light, available Sep. 25, 2018, [online], [site visited Sep. 25, 2018]. Available from internet, <URL: <https://regenbogen.co.uk/wall-light-mw-light-807022201.html> (Year: 2018).*

Modern up and down wall wash light of semi-circular shape, available Sep. 25, 2018, [online], [site visited Sep. 25, 2018]. Available from internet, <URL: <https://regenbogen.co.uk/mw-light-megapolis-499021801.html> (Year: 2018).*

Wall Pack Semi-Circle, available Sep. 25, 2018, [online], [site visited Sep. 25, 2018]. Available from internet, <URL: <https://www.topbulb.com/topaz-f-wpm-36wled-semi-67-led-wall-pack-semi-circle-36w-100-150w-mh> (Year: 2018).*

* cited by examiner

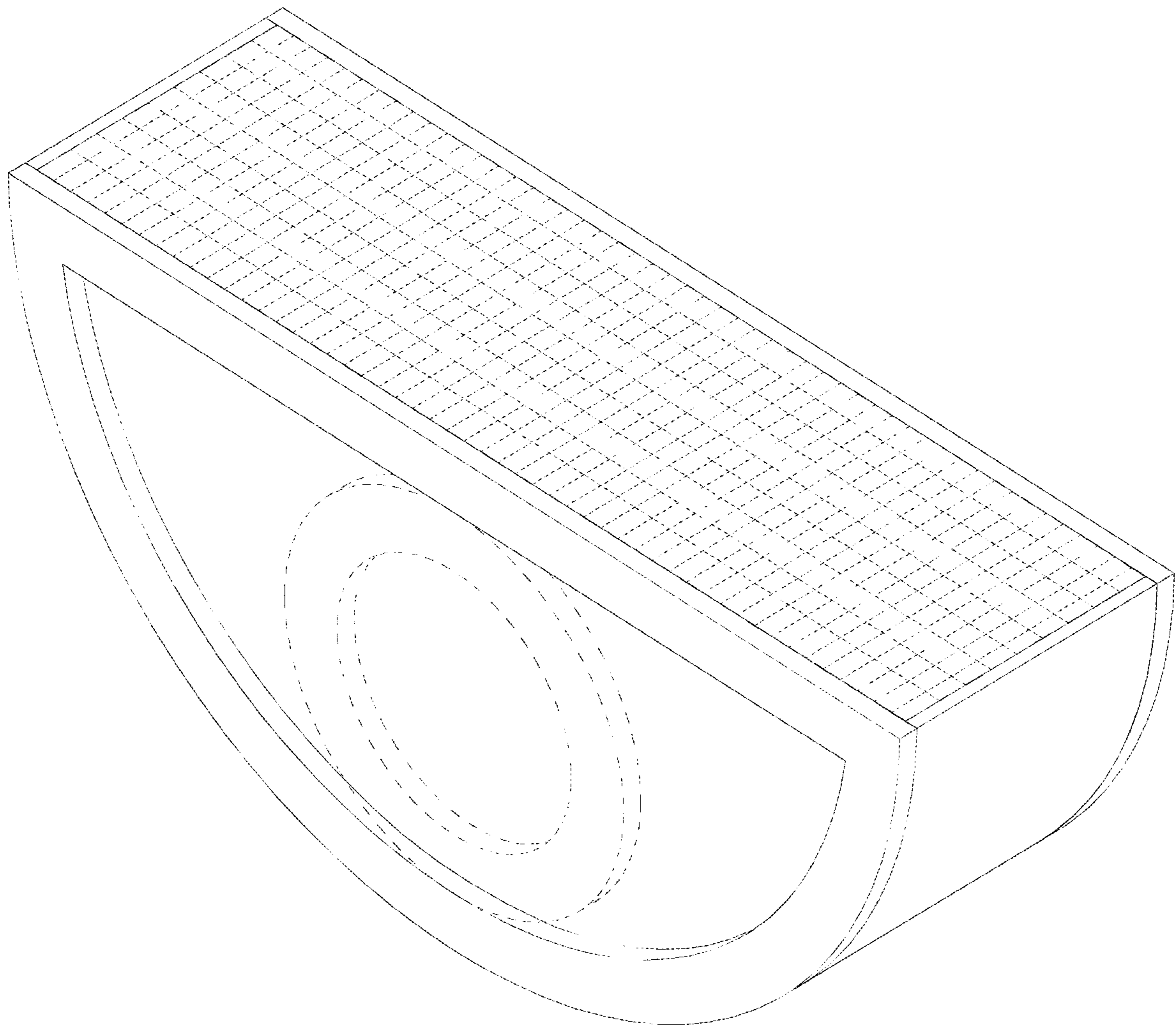


FIG. 1

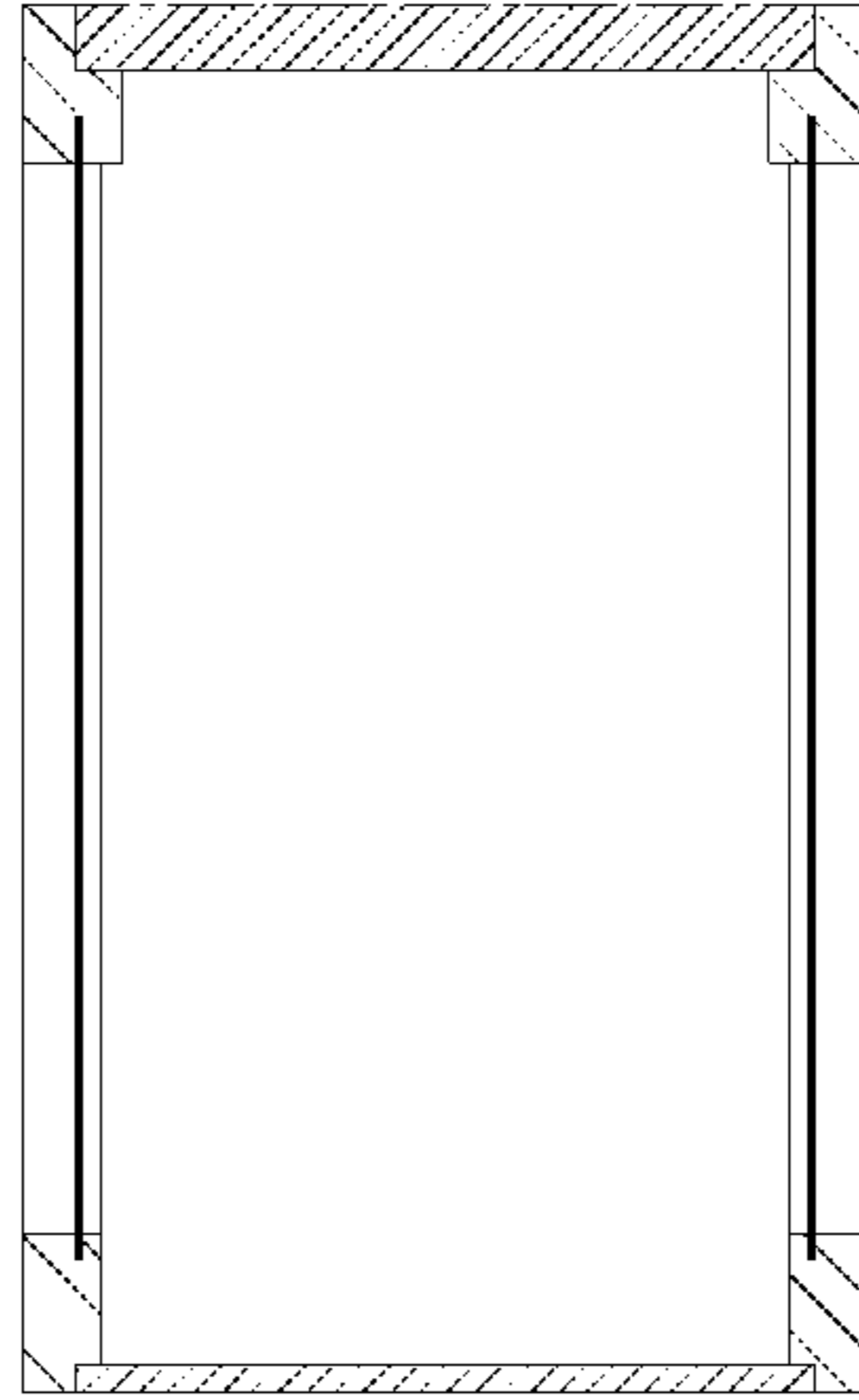


FIG. 2

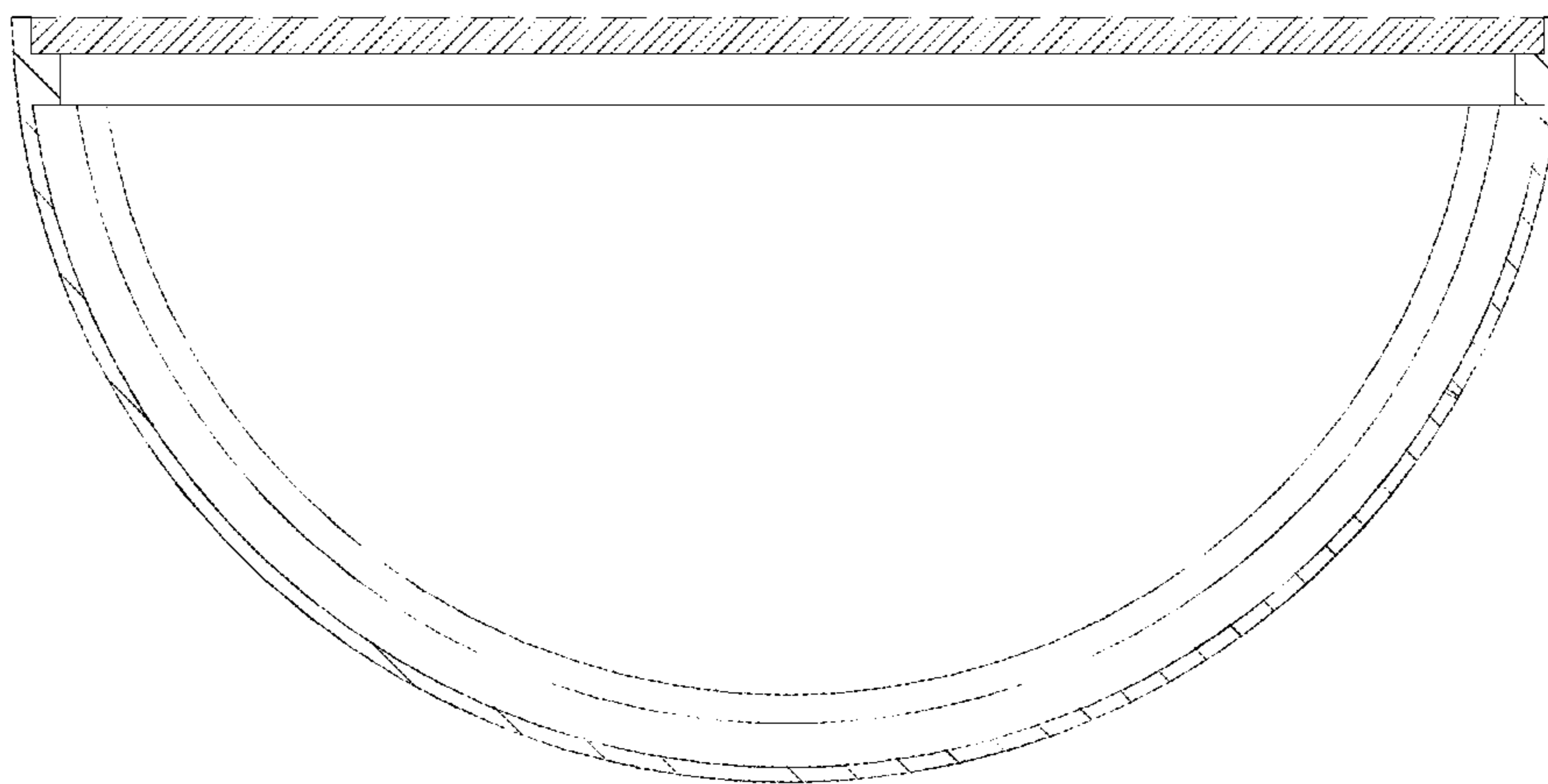


FIG. 3

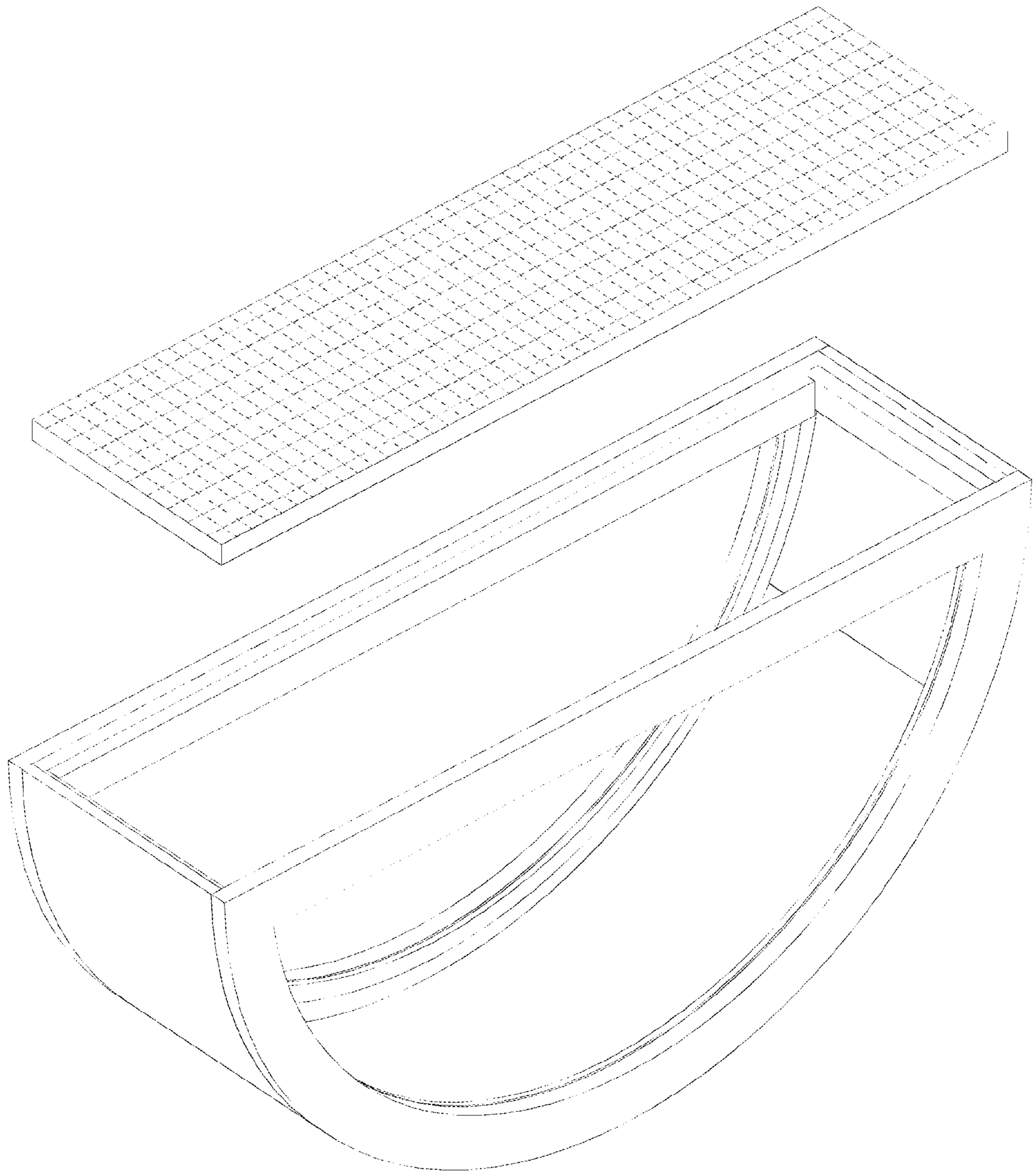


FIG. 4

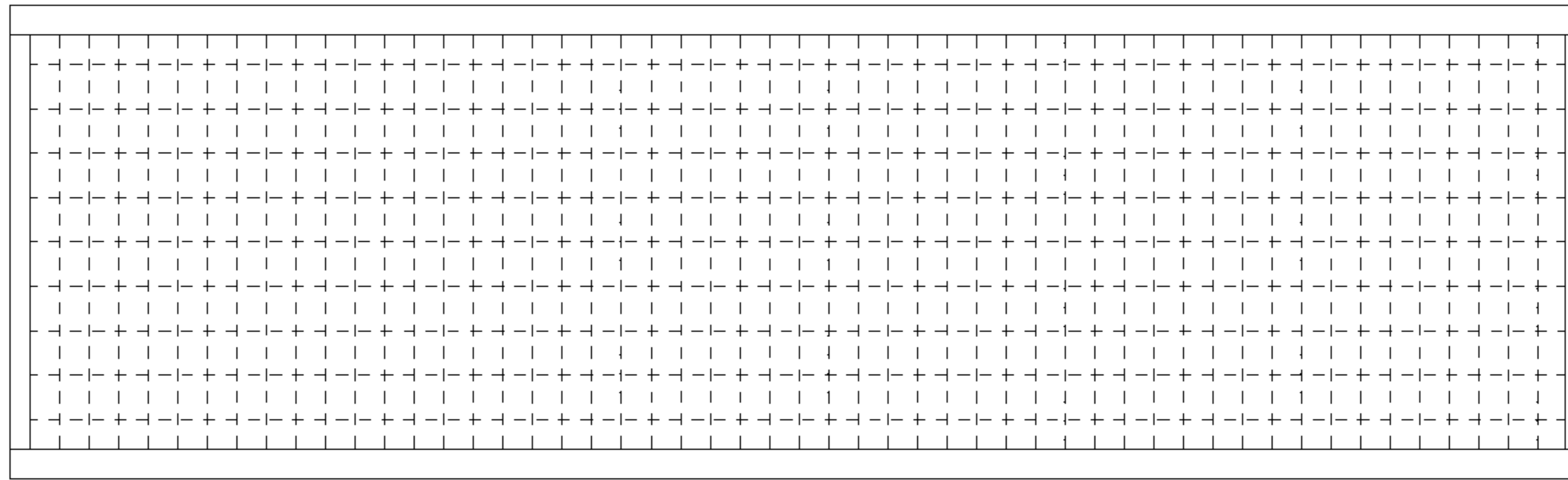


FIG. 5



FIG. 6

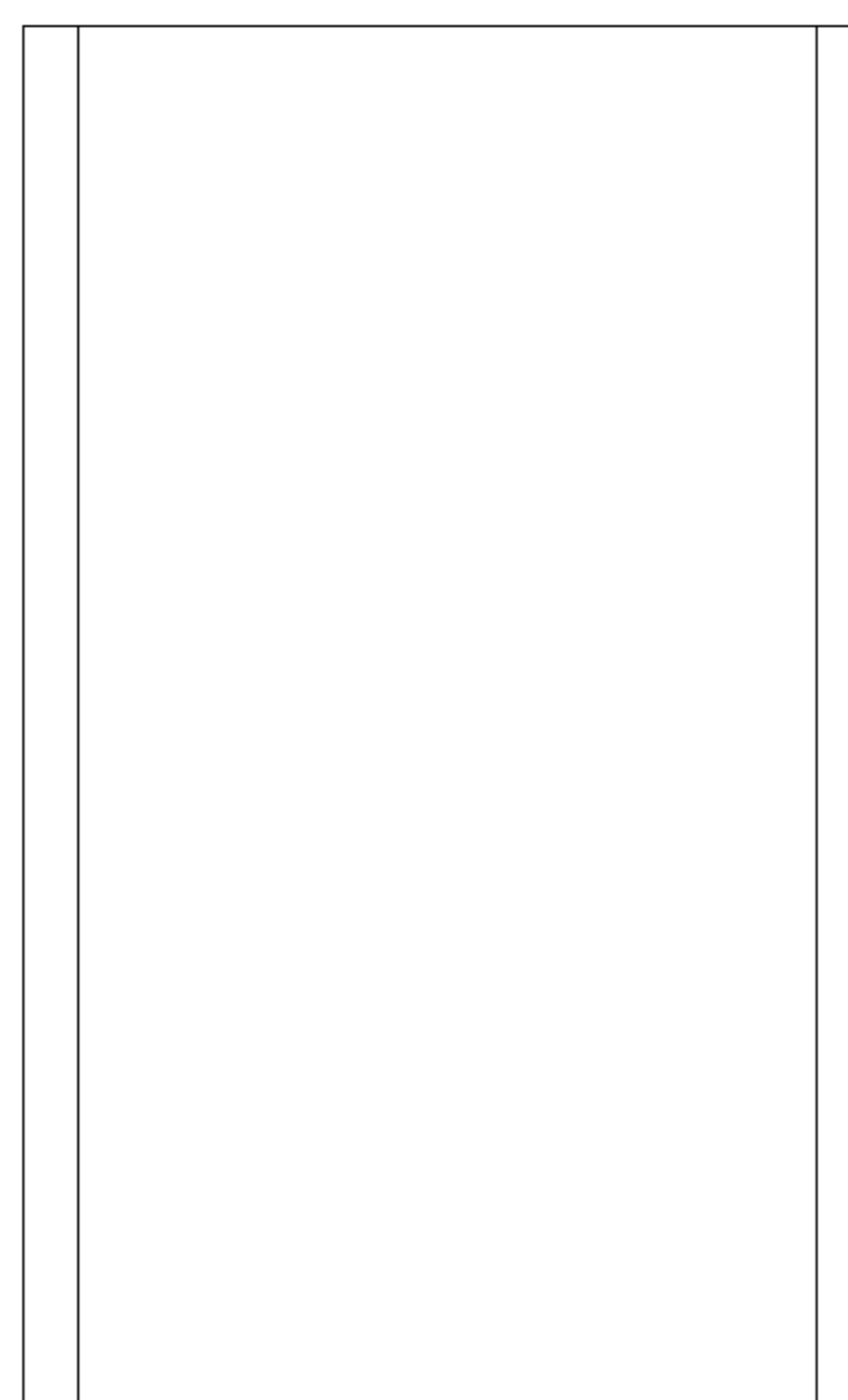


FIG. 7

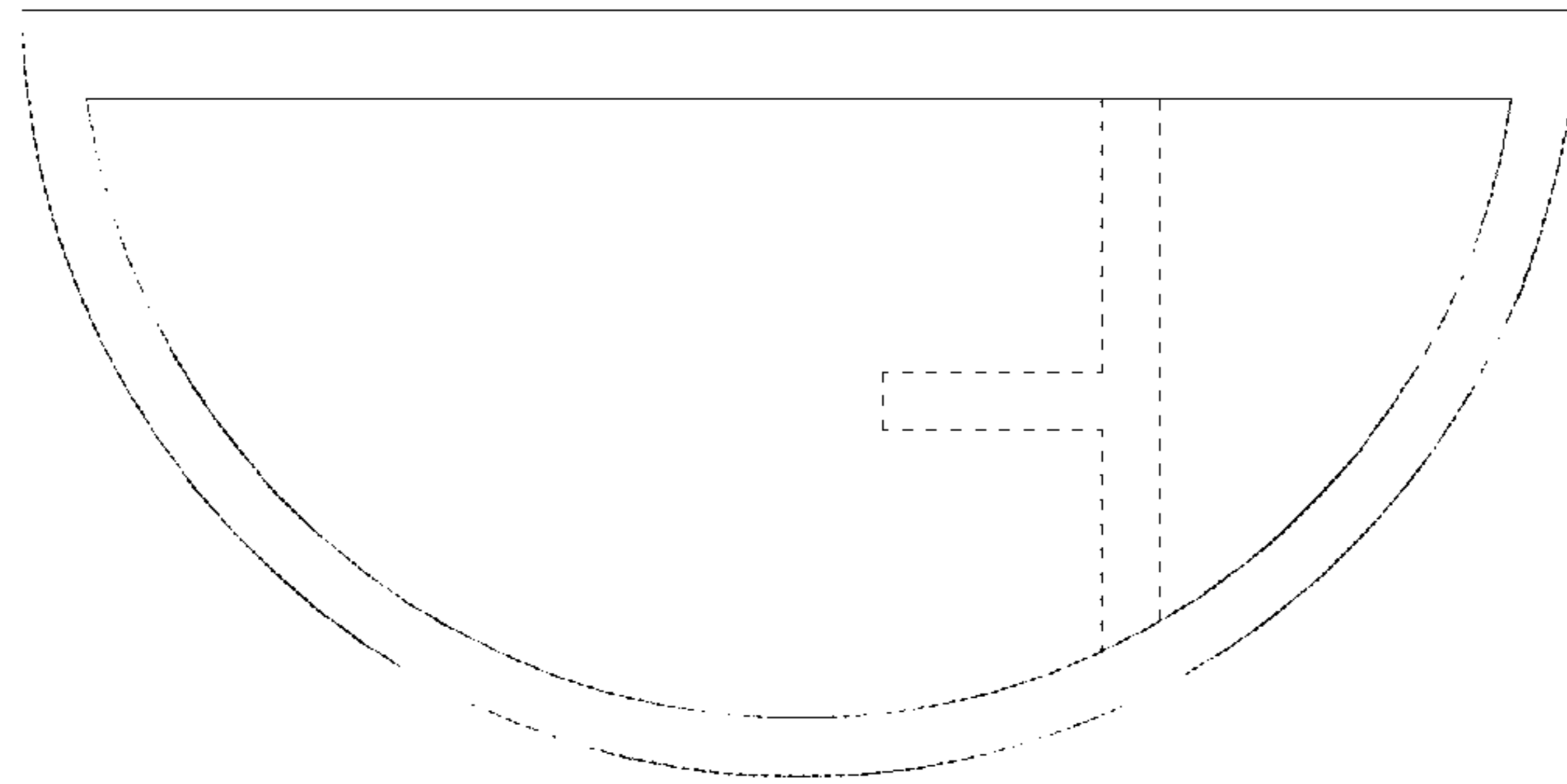


FIG. 8

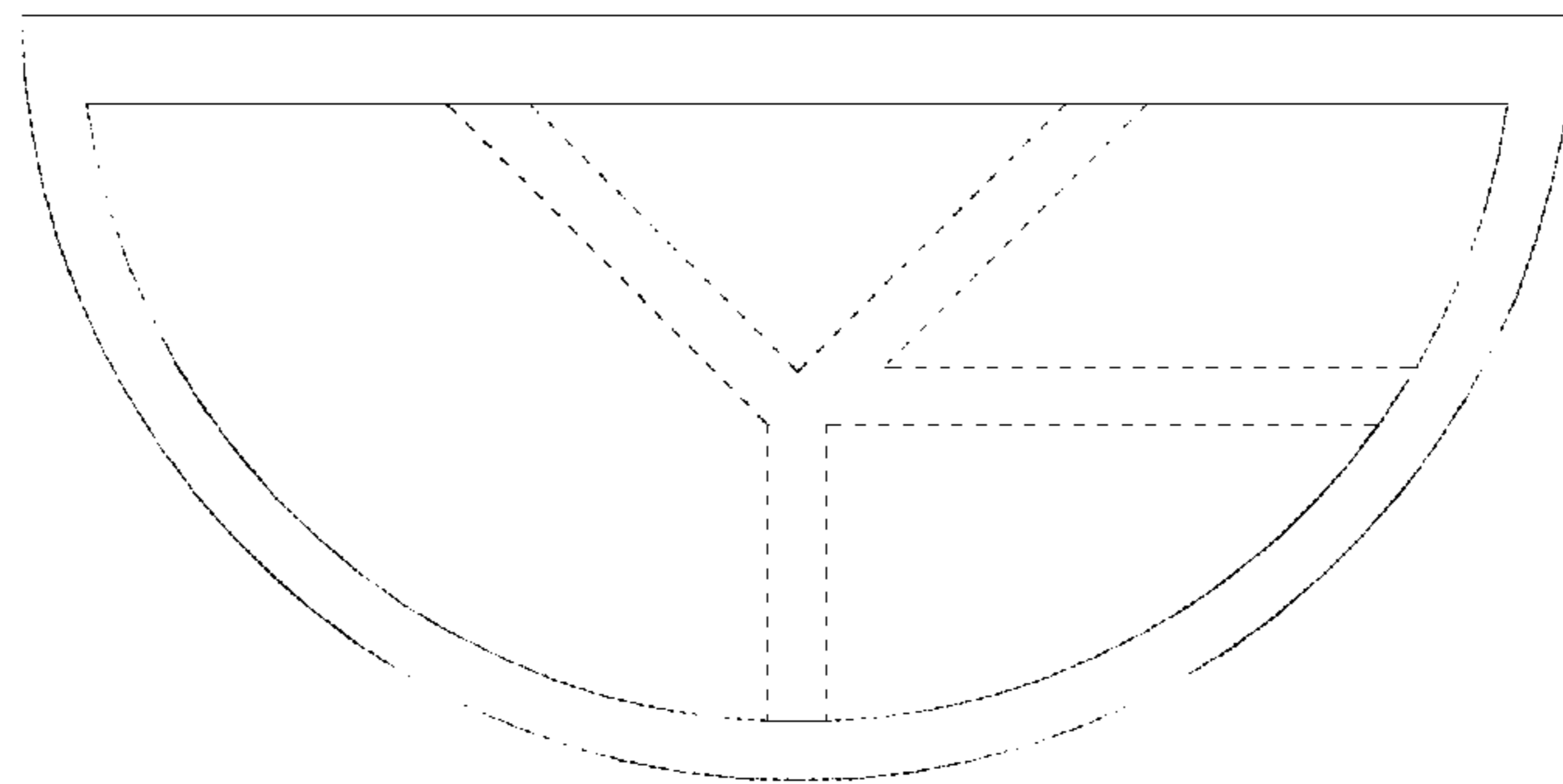


FIG. 9

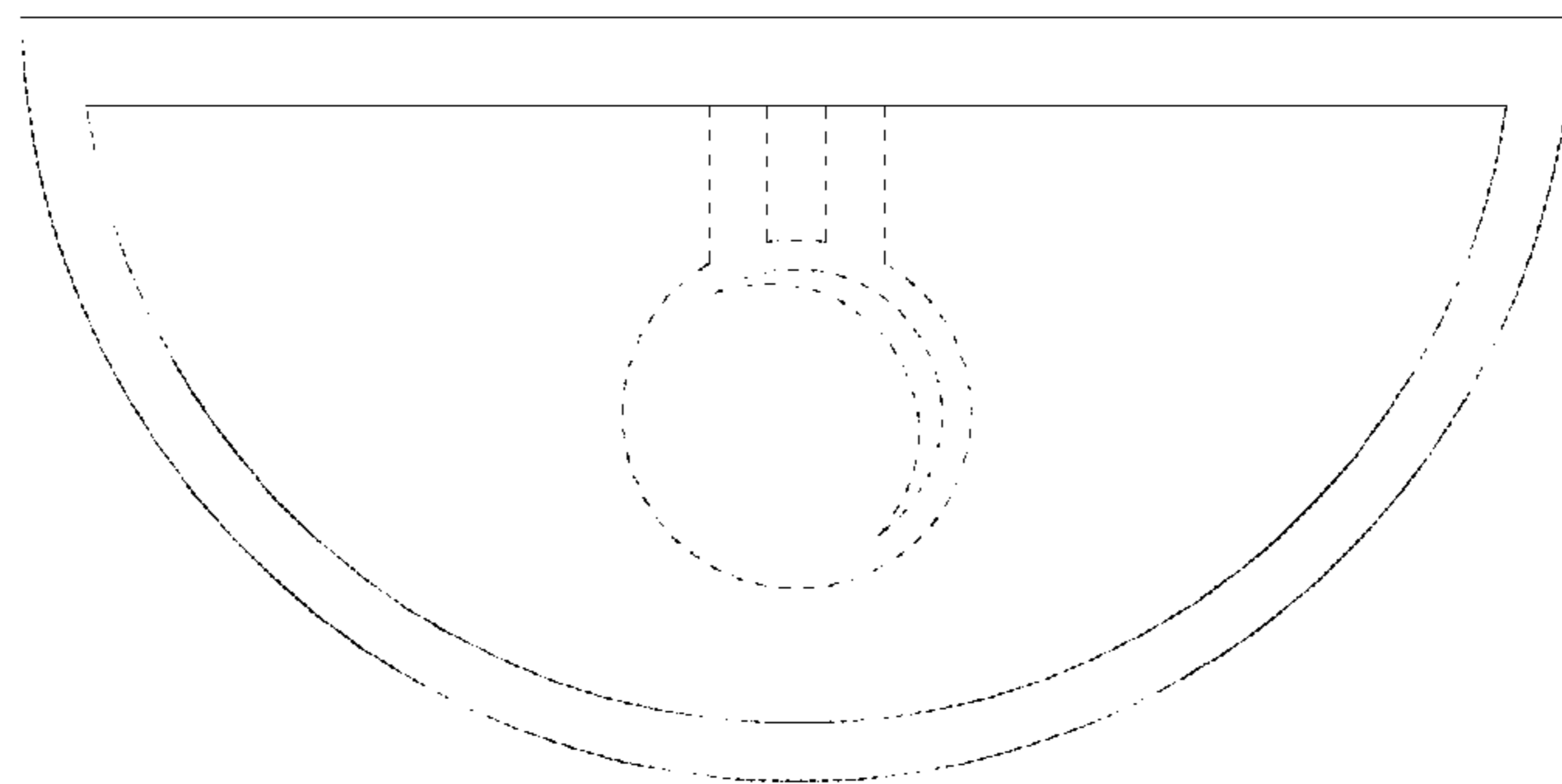


FIG. 10

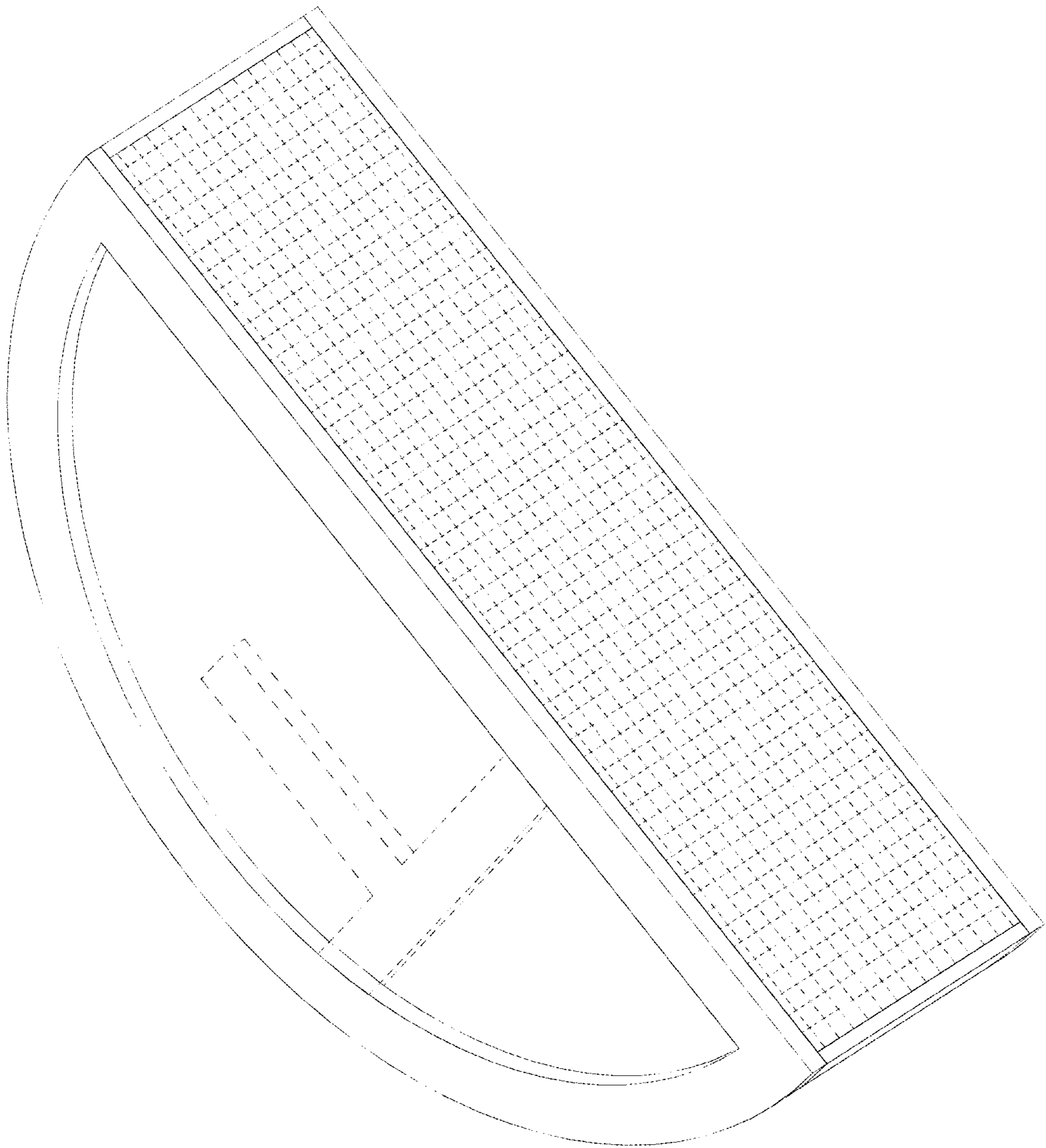


FIG. 11